



US00D852234S

(12) **United States Design Patent**
de Cavalcanti et al.

(10) **Patent No.:** **US D852,234 S**
(45) **Date of Patent:** **** *Jun. 25, 2019**

(54) **REFRIGERATOR AIR FILTER ASSEMBLY**

FOREIGN PATENT DOCUMENTS

(71) Applicant: **WHIRLPOOL CORPORATION**,
Benton Harbor, MI (US)

CN 2162612 Y 4/1994
CN 2401534 Y 10/2000

(Continued)

(72) Inventors: **Daniel de Cavalcanti**, St. Joseph, MI
(US); **Alexandre D. Grosse**,
Joinville-SC (BR); **Jose Paulo Remor**,
Stevensville, MI (US)

Primary Examiner — Khawaja Anwar

(74) *Attorney, Agent, or Firm* — Price Heneveld LLP

(73) Assignee: **Whirlpool Corporation**, Benton
Harbor, MI (US)

(57) **CLAIM**

The ornamental design for a refrigerator air filter assembly,
as shown and described.

(*) Notice: This patent is subject to a terminal dis-
claimer.

DESCRIPTION

(**) Term: **15 Years**

(21) Appl. No.: **29/565,451**

(22) Filed: **May 20, 2016**

(51) **LOC (11) Cl.** **15-07**

(52) **U.S. Cl.**
USPC **D15/89**

(58) **Field of Classification Search**

USPC D15/79-91
CPC .. F25D 11/00; F25D 17/065; F25D 2325/022;
F25D 23/069; F25D 25/025; F25D 11/02;
F25D 17/062; F25D 21/12; F25D 21/125;
F25D 21/14; F25D 2317/061; F25D
2317/067; F25D 2323/021; F25D
2323/024; F25D 23/028; F25D 23/04;
F25D 23/066; F25D 23/085; F25D
23/087; F25D 23/126; F25D 2400/02;
F25D 2400/06; F25D 2400/361; F25D
2400/40; F25D

(Continued)

FIG. 1 is a front perspective view of a refrigerator air filter
assembly according to a first embodiment of our design
shown in an unclaimed refrigerator, back, right side, left
side, top and bottom views of the design showing no claimed
portion of the design when in place within the unclaimed
refrigerator;

FIG. 2 is a top-front perspective view of the refrigerator air
filter assembly of FIG. 1 with portions of the unclaimed
refrigerator removed;

FIG. 3 is a front-right perspective view thereof;

FIG. 4 is a front view thereof;

FIG. 5 is a right cross-sectional reference view thereof taken
along the line 5-5 in FIG. 4; and,

FIG. 6 is a bottom cross-sectional reference view thereof
taken along the line 6-6 in FIG. 4.

The broken line showing of portions of the refrigerator air
filter assembly forms no part of the claimed design.

The pairs of closely adjacent, spaced jagged broken lines in
the drawings form no part of the claimed design and the
portions between such pairs of jagged broken lines are
broken away to disclose indeterminate length. Portions of
the design that may be visible between the jagged lines have
been removed for clarity.

Dash-dot lines adjacent un-shaded areas represent bounds of
the claimed design and form no part of the claimed design
themselves.

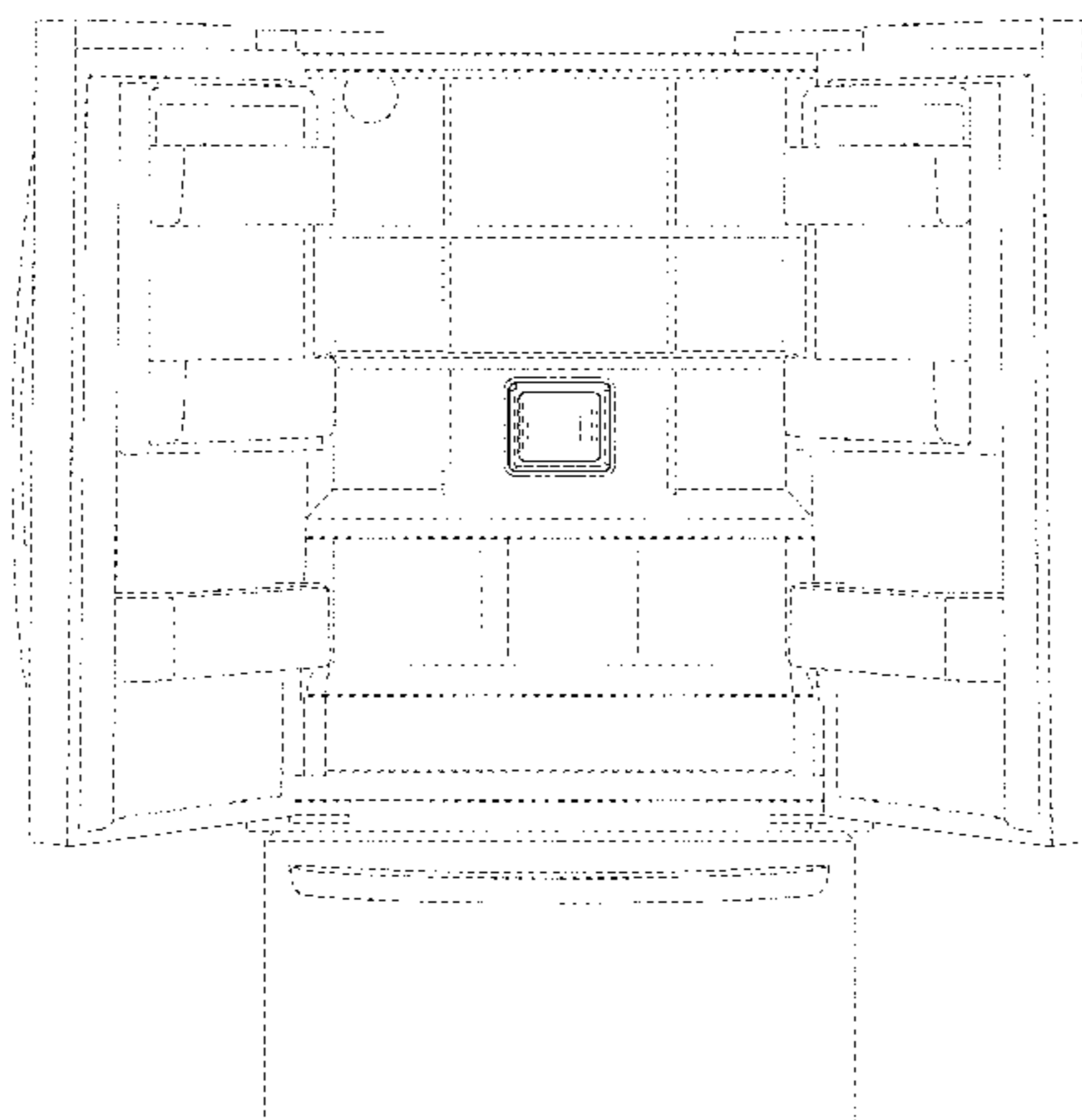
(56) **References Cited**

U.S. PATENT DOCUMENTS

D511,178 S * 11/2005 Tunzi D15/89
D514,138 S * 1/2006 Jackovin D15/89

(Continued)

1 Claim, 5 Drawing Sheets



(58) **Field of Classification Search**

CPC 25/005; F25D 25/02; F25D 2600/02; F25D
2700/02; F25D 2700/12; F25D 2700/121;
F25D 2700/14; F25D 29/00

See application file for complete search history.

(56) **References Cited**

U.S. PATENT DOCUMENTS

D616,001	S	5/2010	Yang et al.	
8,002,367	B2	8/2011	Kim et al.	
D654,515	S	2/2012	Hwang et al.	
D657,402	S	4/2012	Hwang et al.	
D668,276	S *	10/2012	Jungwirth	D15/89
D673,588	S *	1/2013	Choi	D15/89
D710,402	S	8/2014	Jeon et al.	
D737,344	S *	8/2015	Lee	D15/89
D744,013	S *	11/2015	Pfaff	D15/89
D751,126	S *	3/2016	Pfaff	D15/89
D766,997	S *	9/2016	Lee	D15/89
D767,651	S *	9/2016	Heinzle	D15/89
D770,542	S *	11/2016	Floeter Junior	D15/89
D784,429	S *	4/2017	Kim	D15/89
D807,412	S *	1/2018	Lee	D15/89

FOREIGN PATENT DOCUMENTS

CN	201754008	U	3/2011
CN	202470609	U	10/2012
JP	9079729	A	3/1997
KR	100821748	B1	4/2008
KR	1020090075054	A	7/2009

* cited by examiner

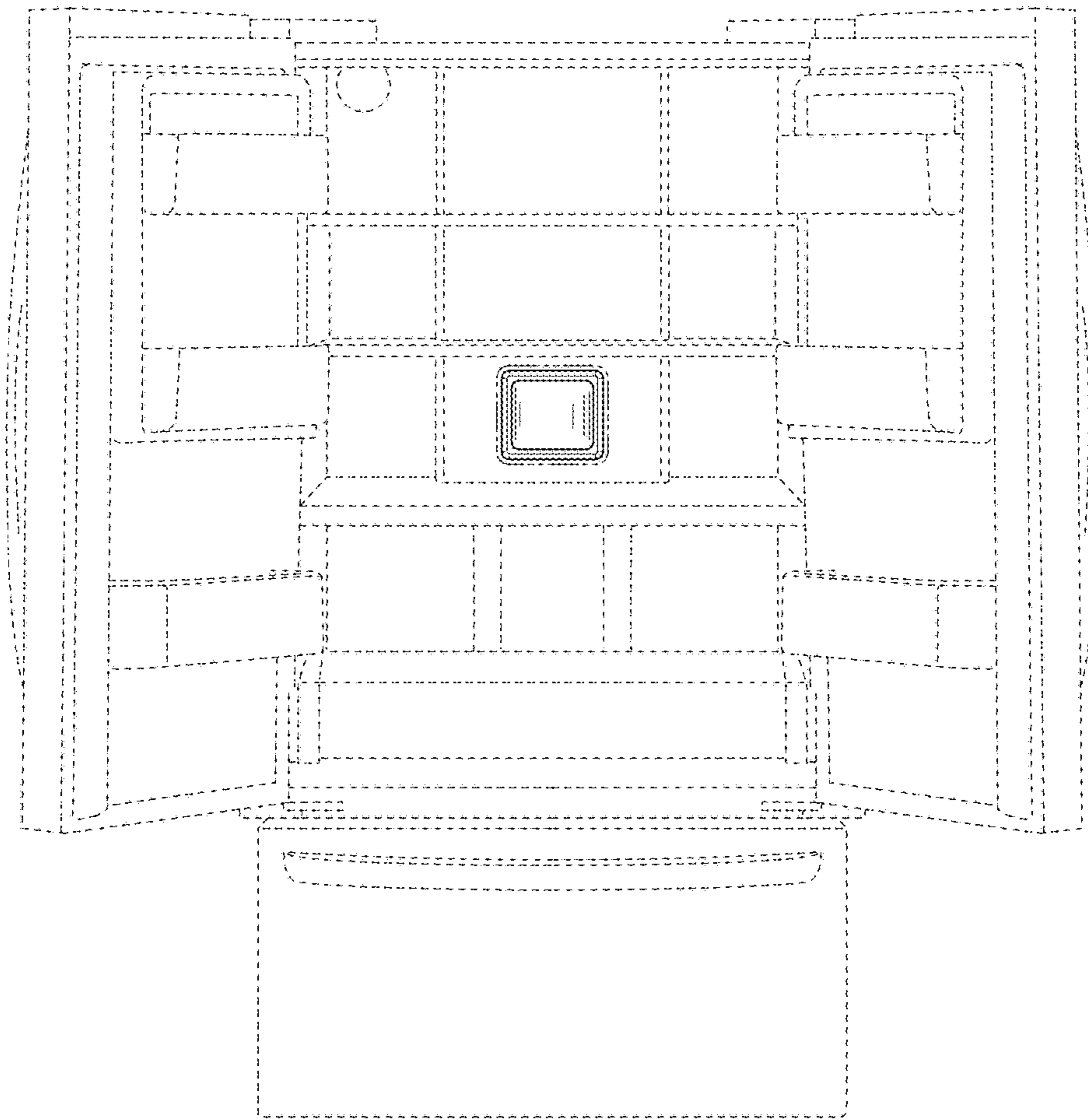


FIG. 1

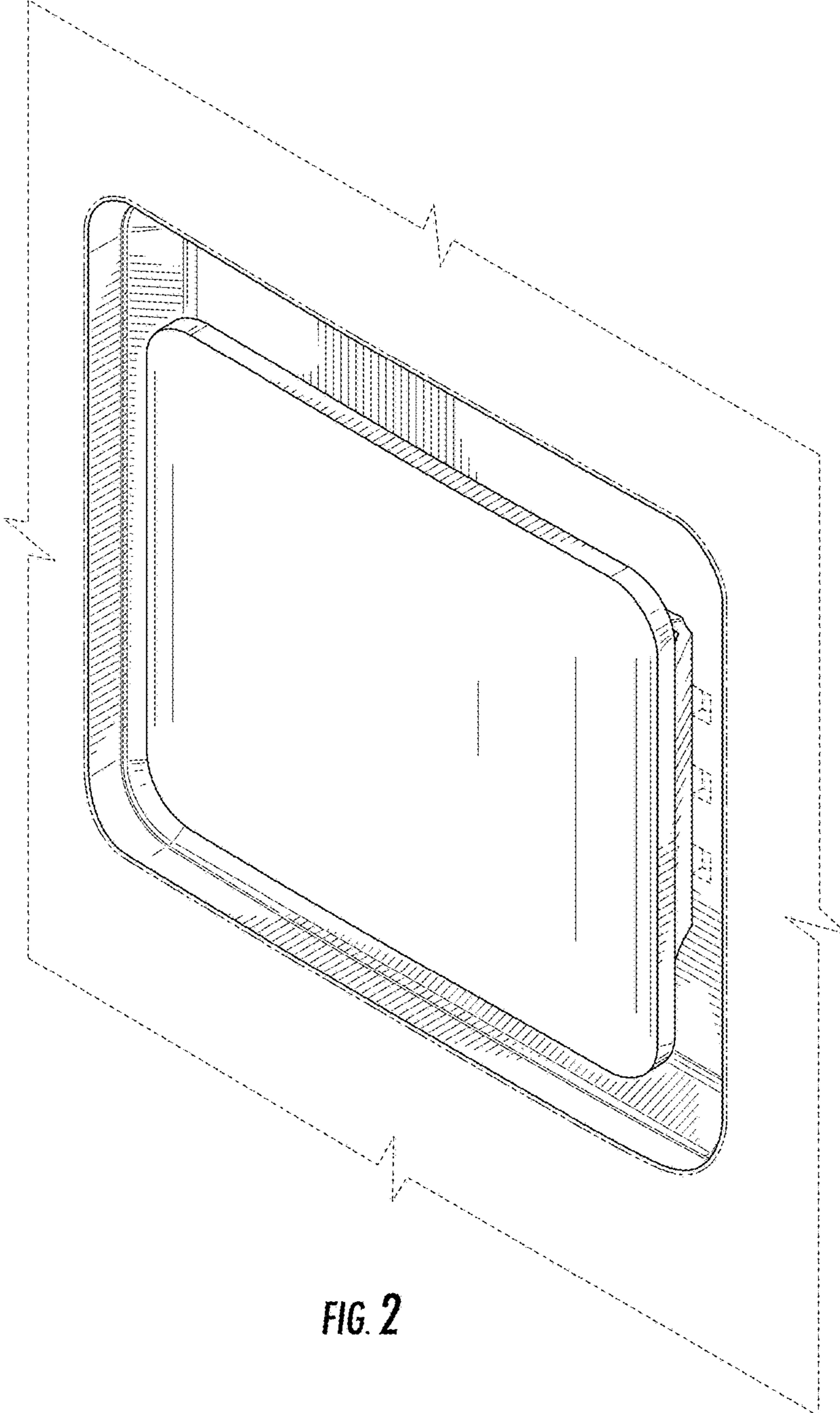


FIG. 2

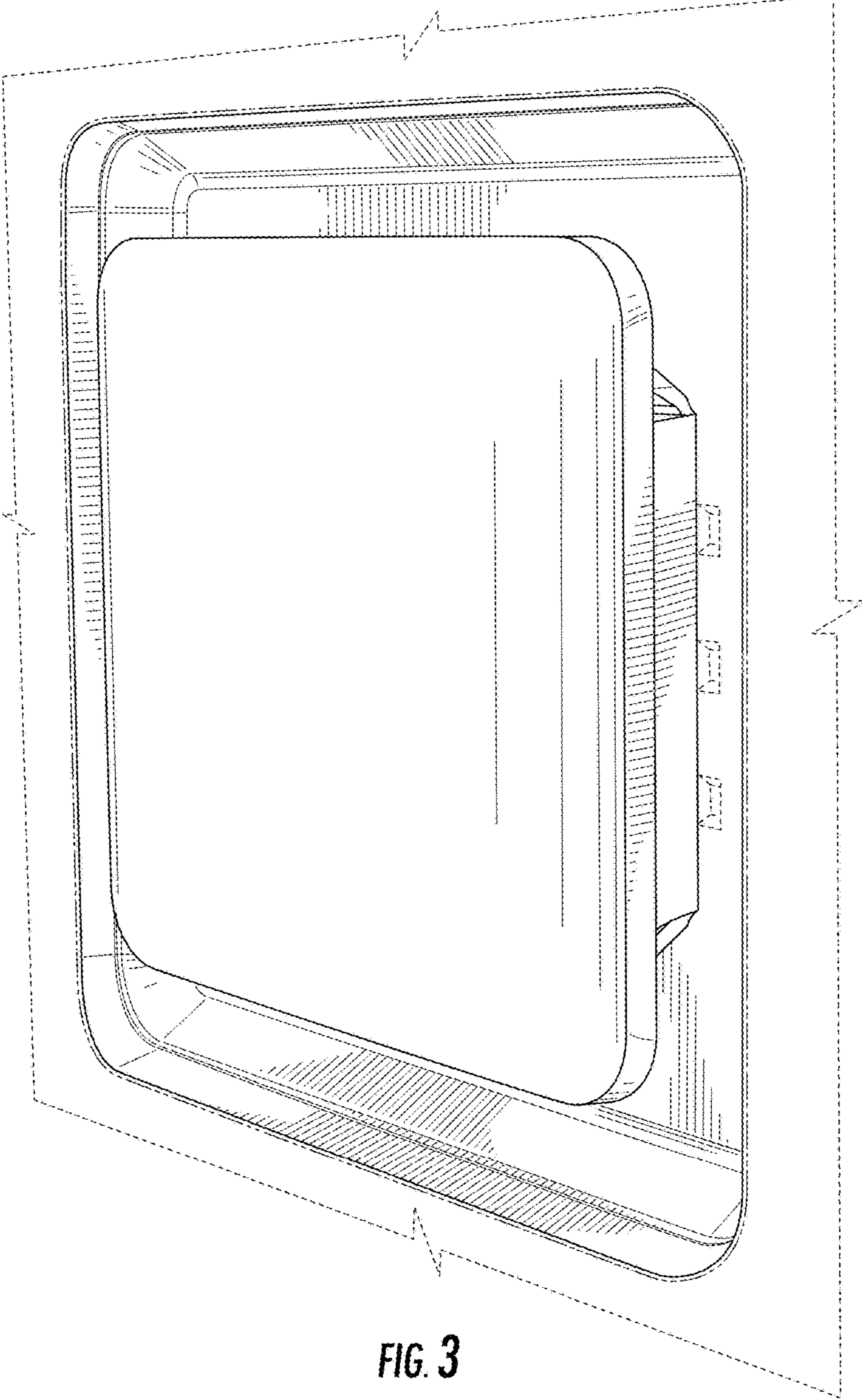


FIG. 3

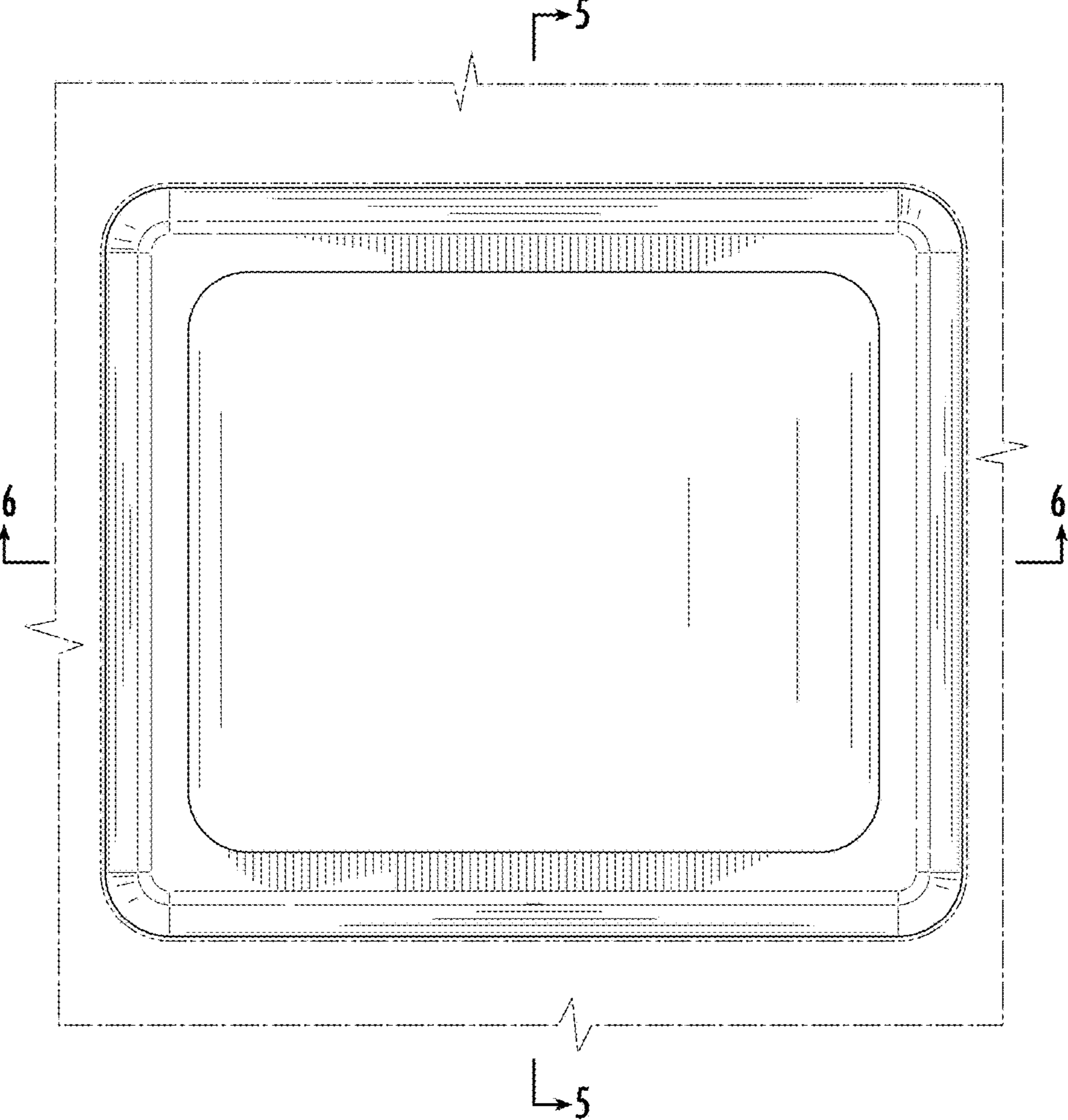


FIG. 4

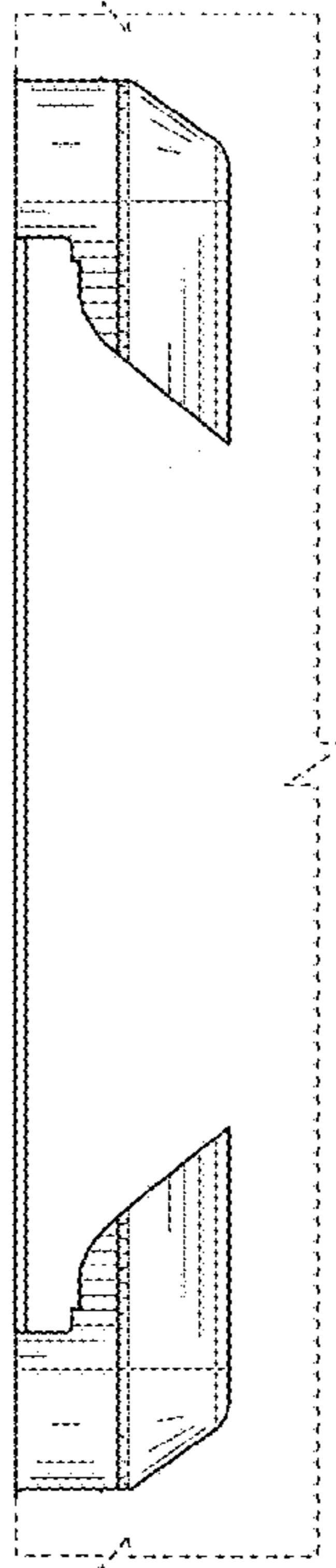


FIG. 5

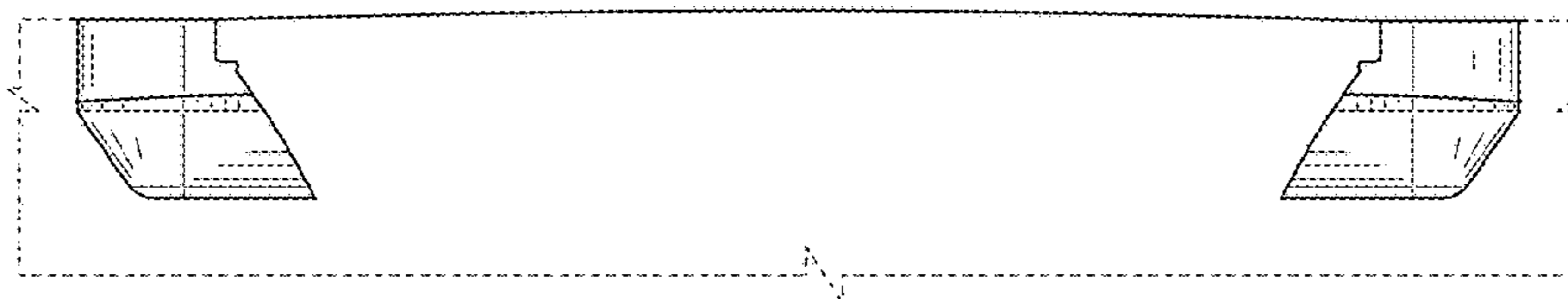


FIG. 6