



US00D852233S

(12) **United States Design Patent** (10) **Patent No.:** **US D852,233 S**  
**Barone** (45) **Date of Patent:** **\*\* Jun. 25, 2019**

(54) **CEMENT MIXING PADDLE**

(71) Applicant: **Onofrio Nino Barone**, San Jose, CA (US)

(72) Inventor: **Onofrio Nino Barone**, San Jose, CA (US)

(\*\*) Term: **15 Years**

(21) Appl. No.: **29/606,056**

(22) Filed: **Jun. 1, 2017**

(51) **LOC (11) Cl.** ..... **15-03**

(52) **U.S. Cl.**  
 USPC ..... **D15/28**; D15/138

(58) **Field of Classification Search**  
 USPC ..... D7/412; D8/14, 70; D15/28, 135, 138, D15/147; D32/54  
 CPC ..... B01F 7/00141; B01F 7/00291; B01F 7/00583; B28C 5/12  
 See application file for complete search history.

(56) **References Cited**

**U.S. PATENT DOCUMENTS**

628,073 A \* 7/1899 Cornelius ..... B01F 7/00  
 366/281

861,603 A \* 7/1907 Newton ..... B02C 19/18  
 241/301

2,520,577 A \* 8/1950 Tooley ..... C03B 5/187  
 366/325.8

4,175,875 A \* 11/1979 Van Horbek ..... A47J 43/1068  
 366/316

4,305,671 A \* 12/1981 Ross ..... C25C 7/005  
 204/245

5,470,148 A \* 11/1995 Gorr ..... B01F 7/00141  
 366/328.1

D366,596 S \* 1/1996 Hewin ..... D7/412

5,676,463 A \* 10/1997 Larsen ..... B01F 7/1695  
 366/251

5,688,048 A \* 11/1997 Duckworth ..... B01F 7/32  
 366/343

D403,920 S \* 1/1999 Pytlewski ..... D7/412

5,865,539 A \* 2/1999 Rogers ..... B01F 7/00583  
 366/129

6,068,395 A \* 5/2000 Ondracek ..... B01F 7/00175  
 366/129

D440,476 S \* 4/2001 Del Gaone ..... D8/14

6,536,937 B1 \* 3/2003 Burchett ..... B01F 13/002  
 366/139

D484,657 S \* 12/2003 Scolley ..... D32/54

D536,577 S \* 2/2007 Henry ..... D7/412

D576,186 S \* 9/2008 Rosso ..... D15/138

D609,255 S \* 2/2010 Bare ..... D15/138

D618,056 S \* 6/2010 Sly ..... D7/376

D644,875 S \* 9/2011 Audette ..... D7/376

D654,316 S \* 2/2012 Audette ..... D7/376

D696,071 S \* 12/2013 Hammad ..... D7/376

D701,423 S \* 3/2014 Rosser ..... D7/376

9,914,101 B1 \* 3/2018 Schrudder ..... B01F 7/00291

(Continued)

*Primary Examiner* — Patricia A Palasik  
 (74) *Attorney, Agent, or Firm* — Antero Tormey & Petrin;  
 Peter Tormey

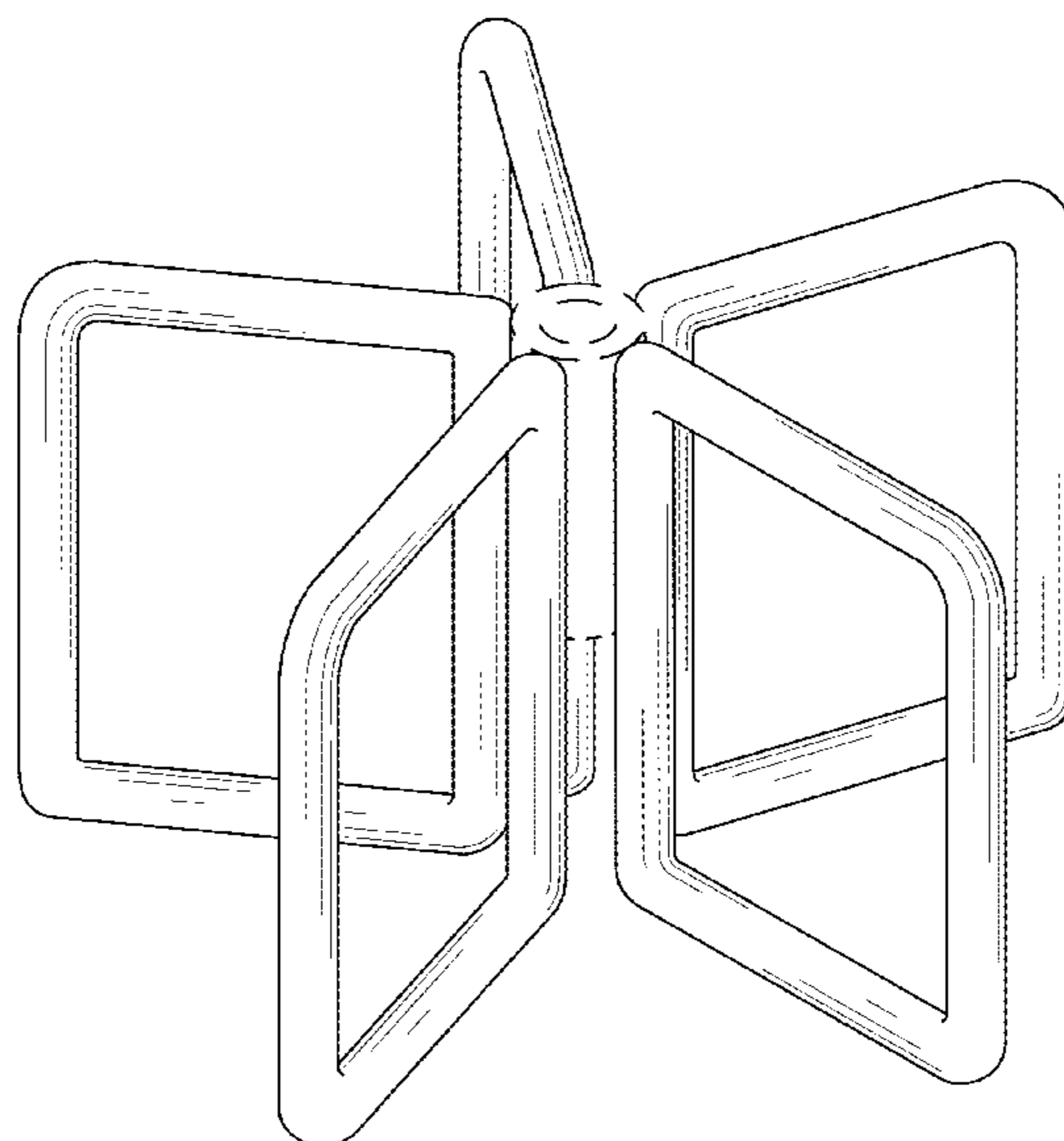
(57) **CLAIM**

The ornamental design for a cement mixing paddle, as shown and described.

**DESCRIPTION**

FIG. 1 is a front perspective view of a cement mixing paddle  
 FIG. 2 is a left-side view thereof  
 FIG. 3 is a right-side view thereof  
 FIG. 4 is a front view thereof  
 FIG. 5 is a rear view thereof  
 FIG. 6 is a top view thereof; and,  
 FIG. 7 is a bottom view thereof.  
 The broken lines shown are included for the purpose of illustrating environmental structure and form no part of the claimed design.

**1 Claim, 4 Drawing Sheets**



(56)

**References Cited**

U.S. PATENT DOCUMENTS

10,220,358 B2 \* 3/2019 Morton ..... B01F 7/00033  
2011/0116341 A1 \* 5/2011 Obersteiner ..... A47J 43/0711  
366/344

\* cited by examiner

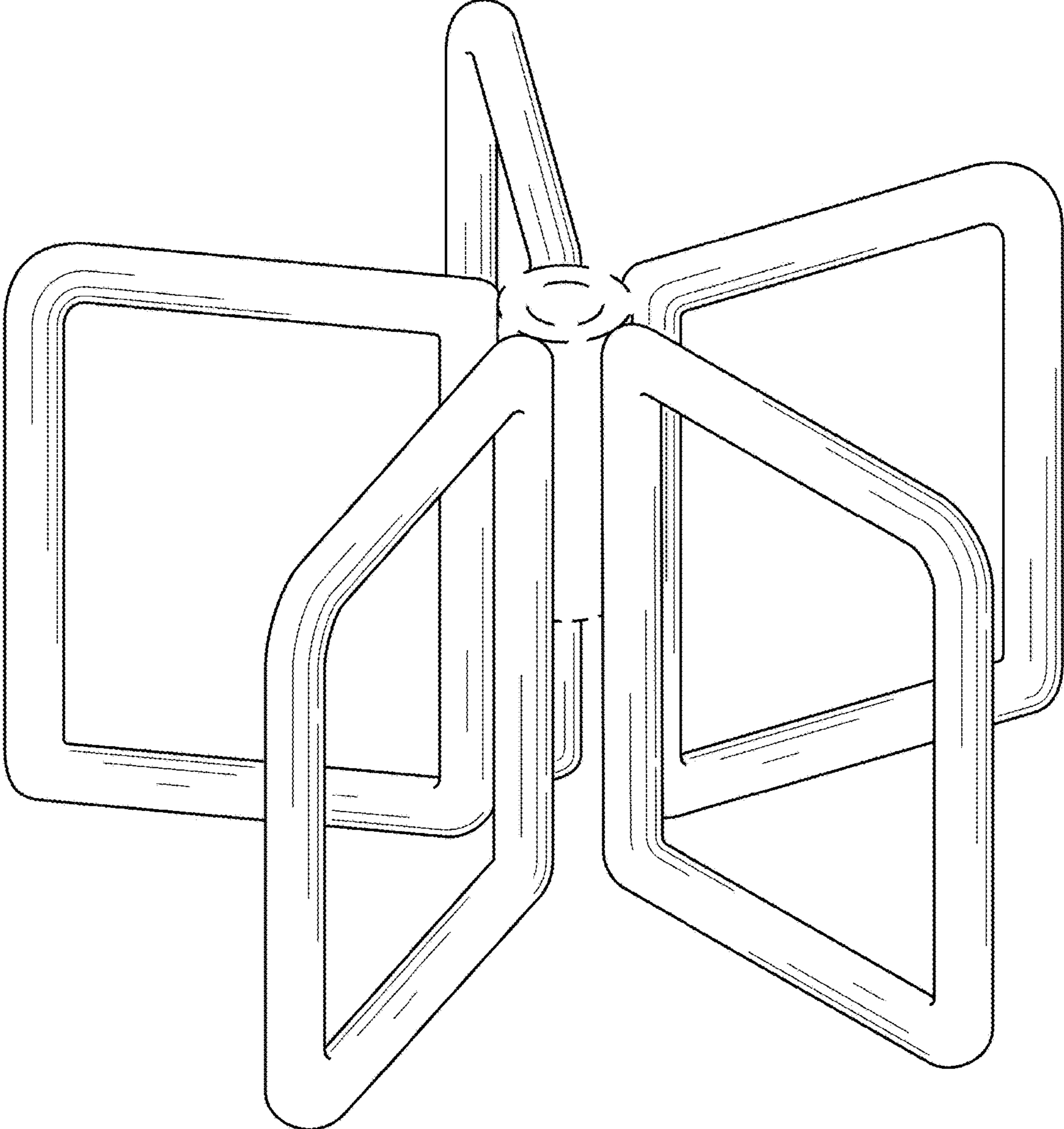


FIG. 1

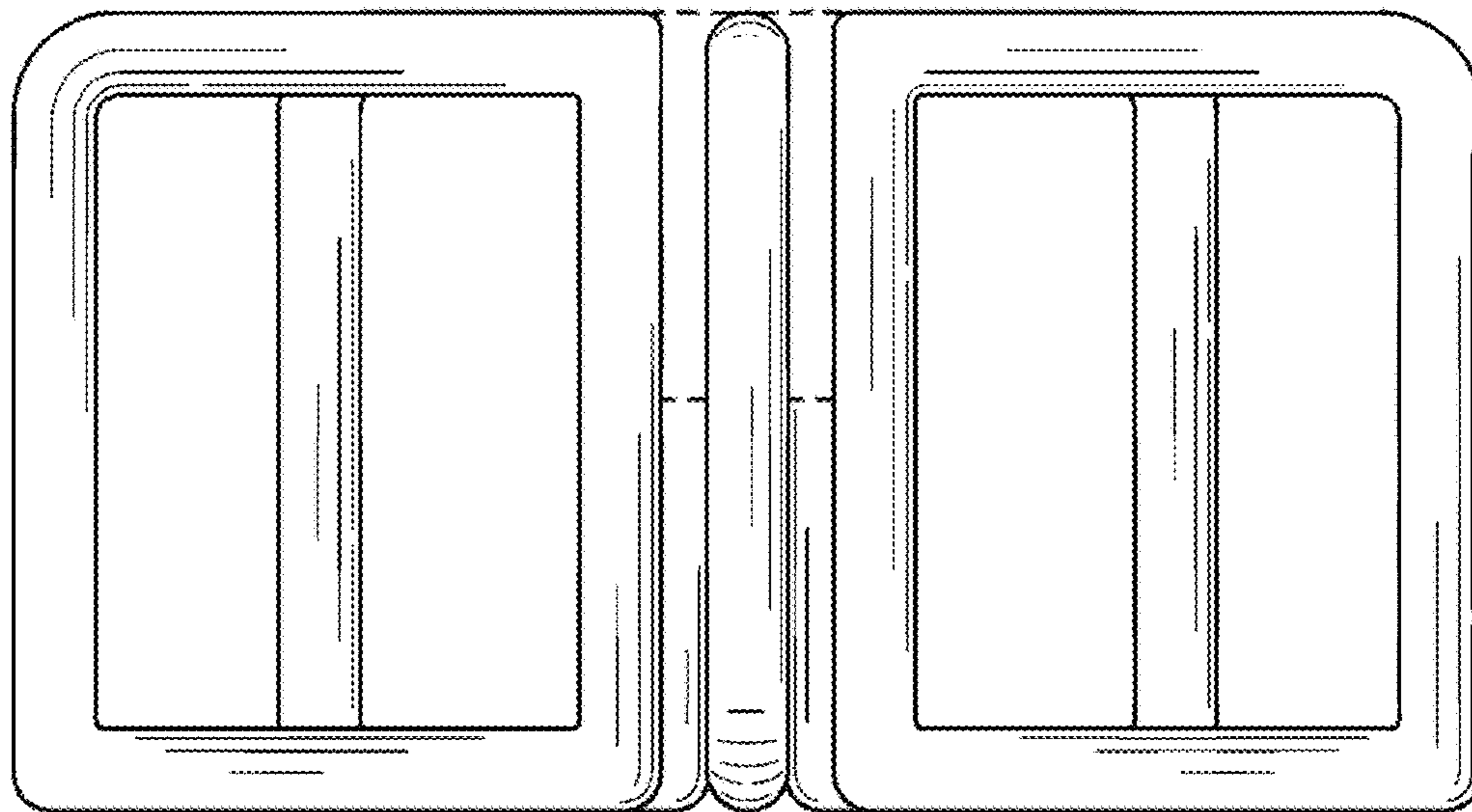


FIG. 2

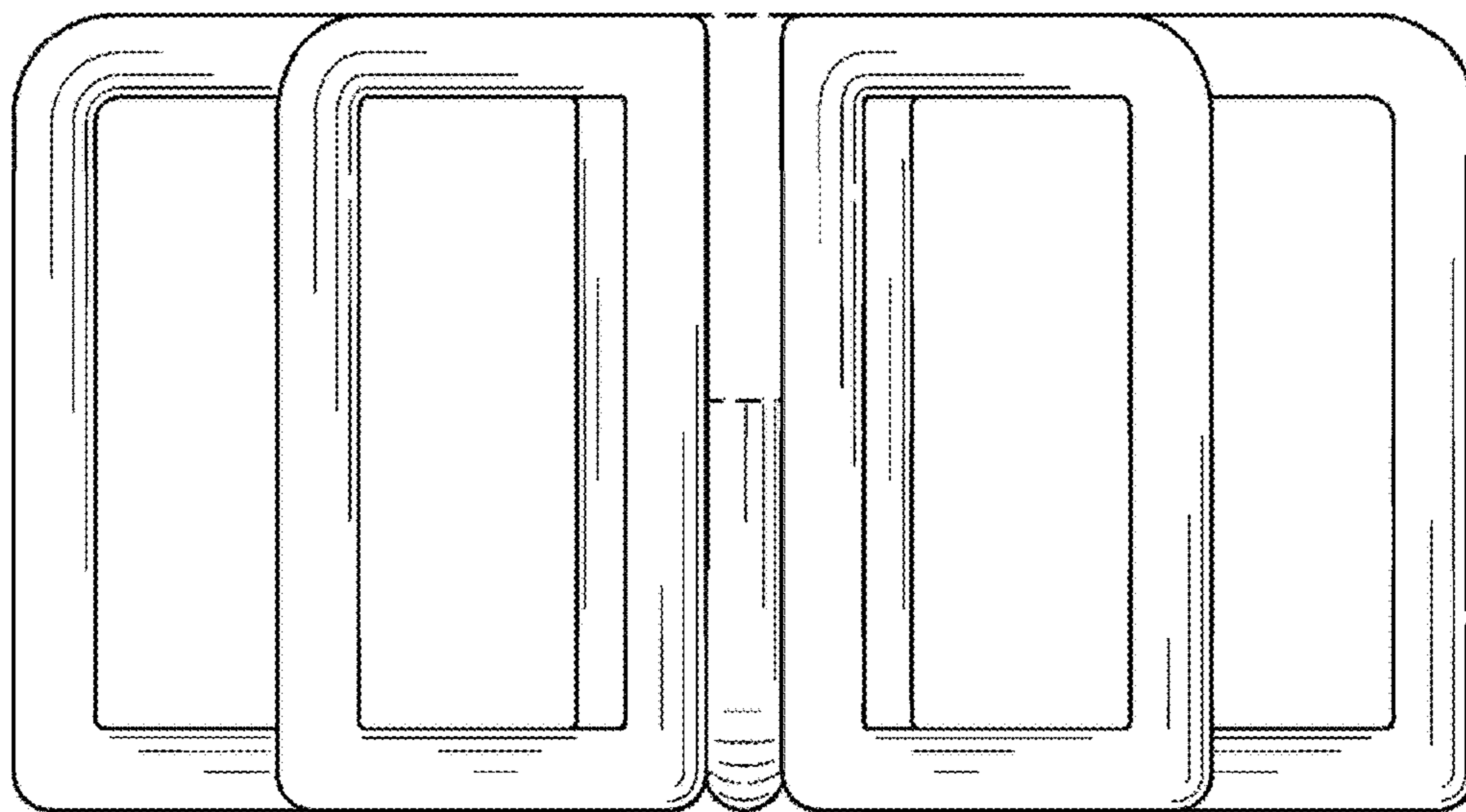


FIG. 3

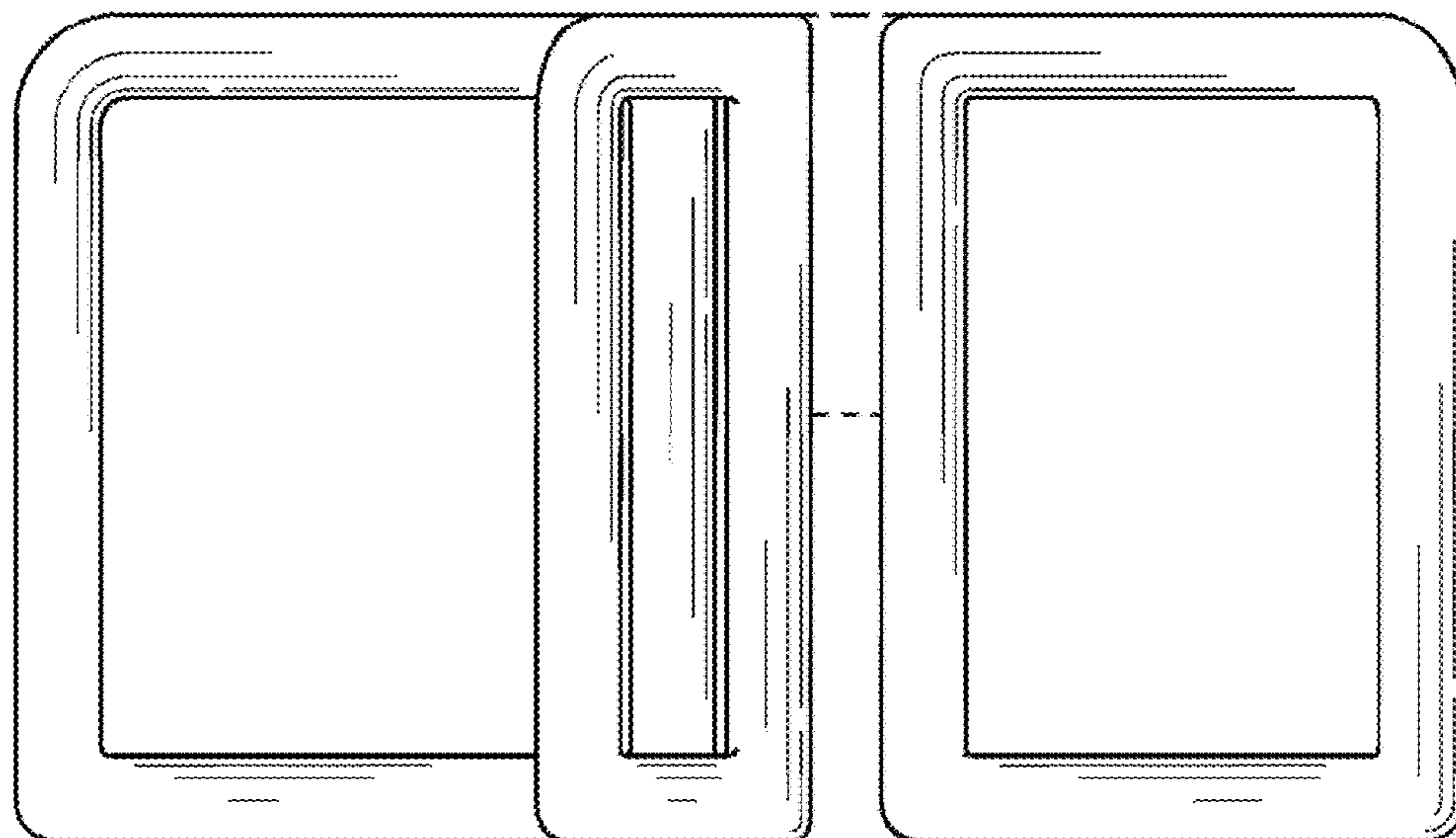


FIG. 4

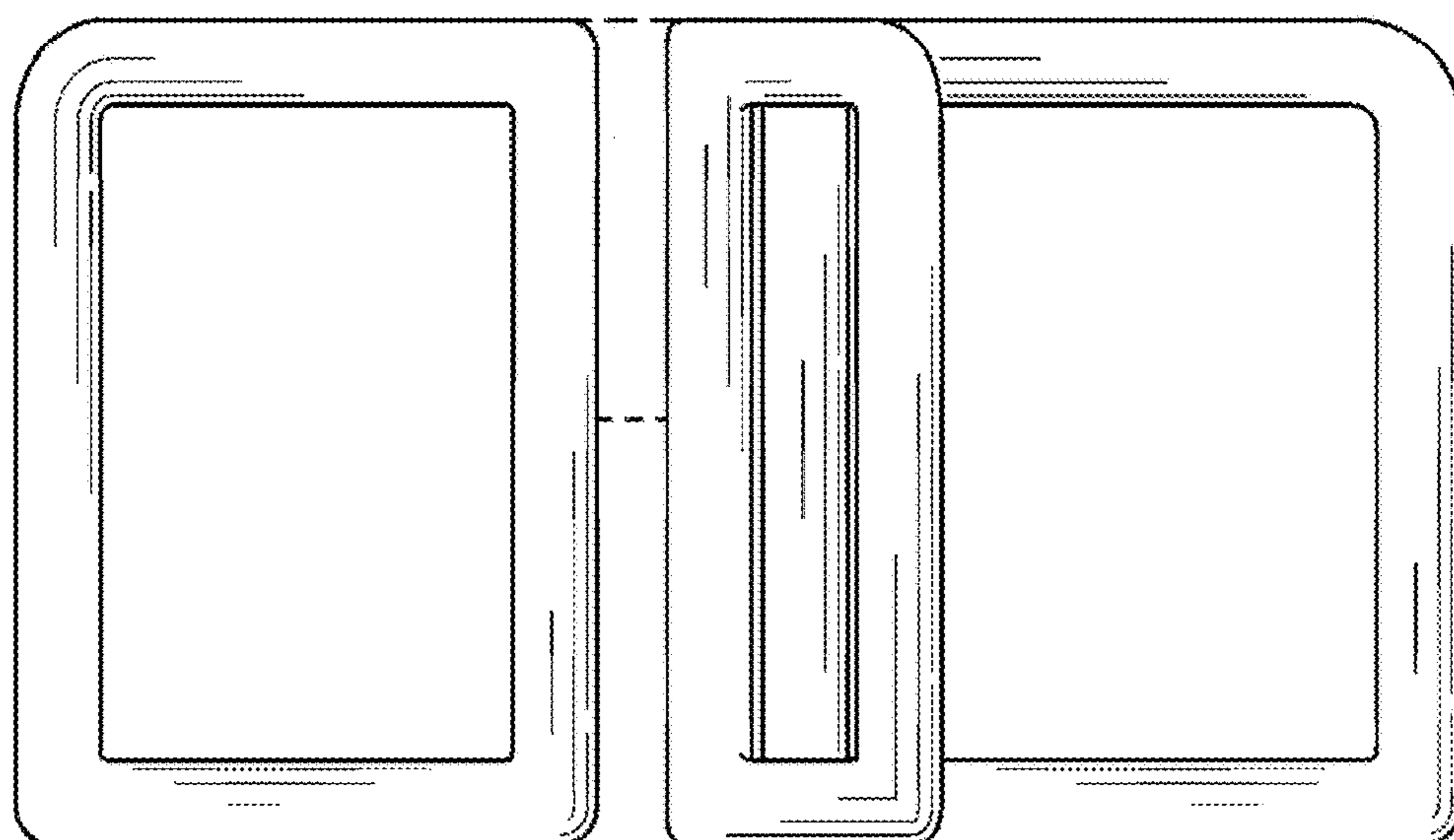


FIG. 5

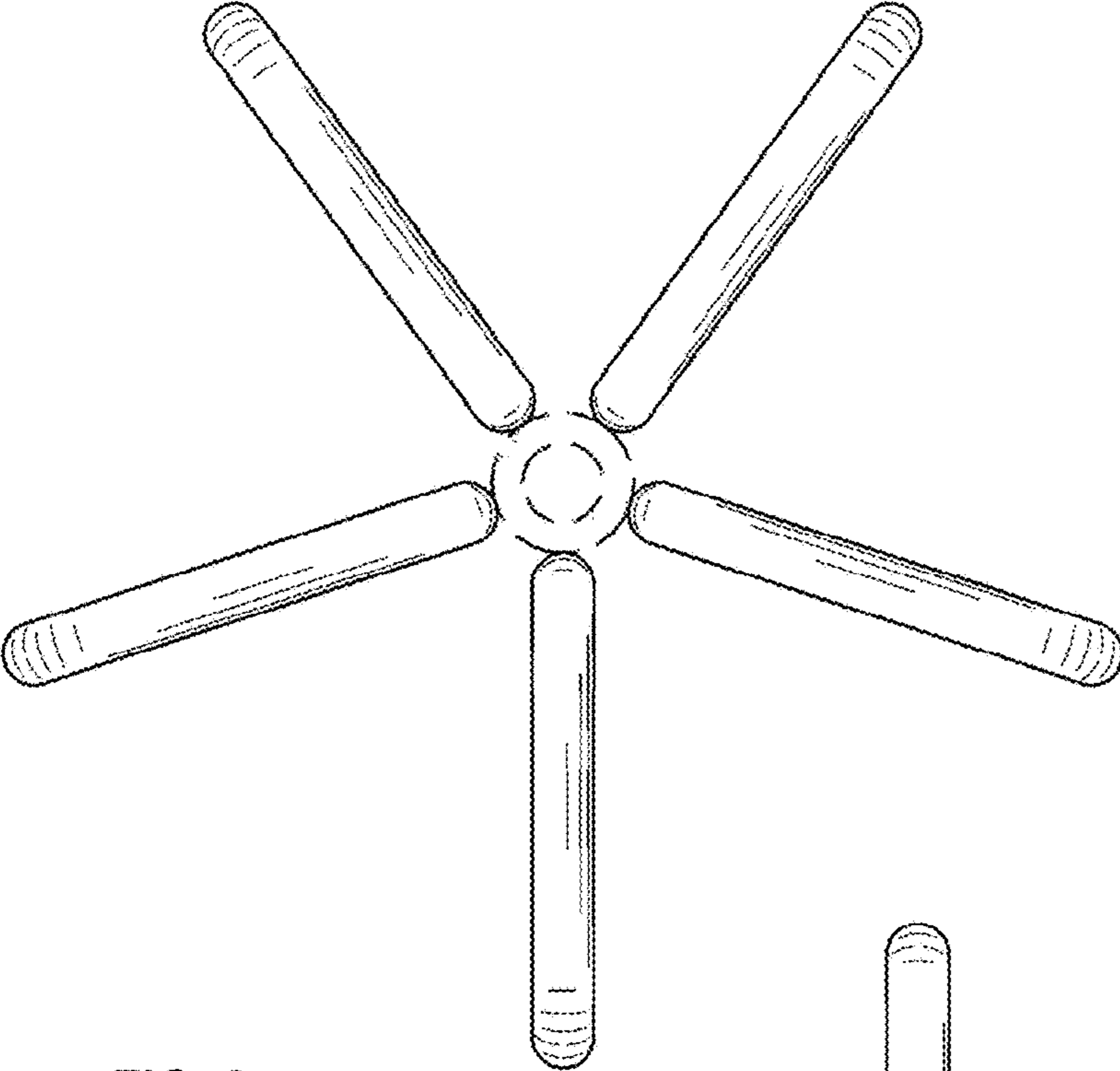


FIG. 6

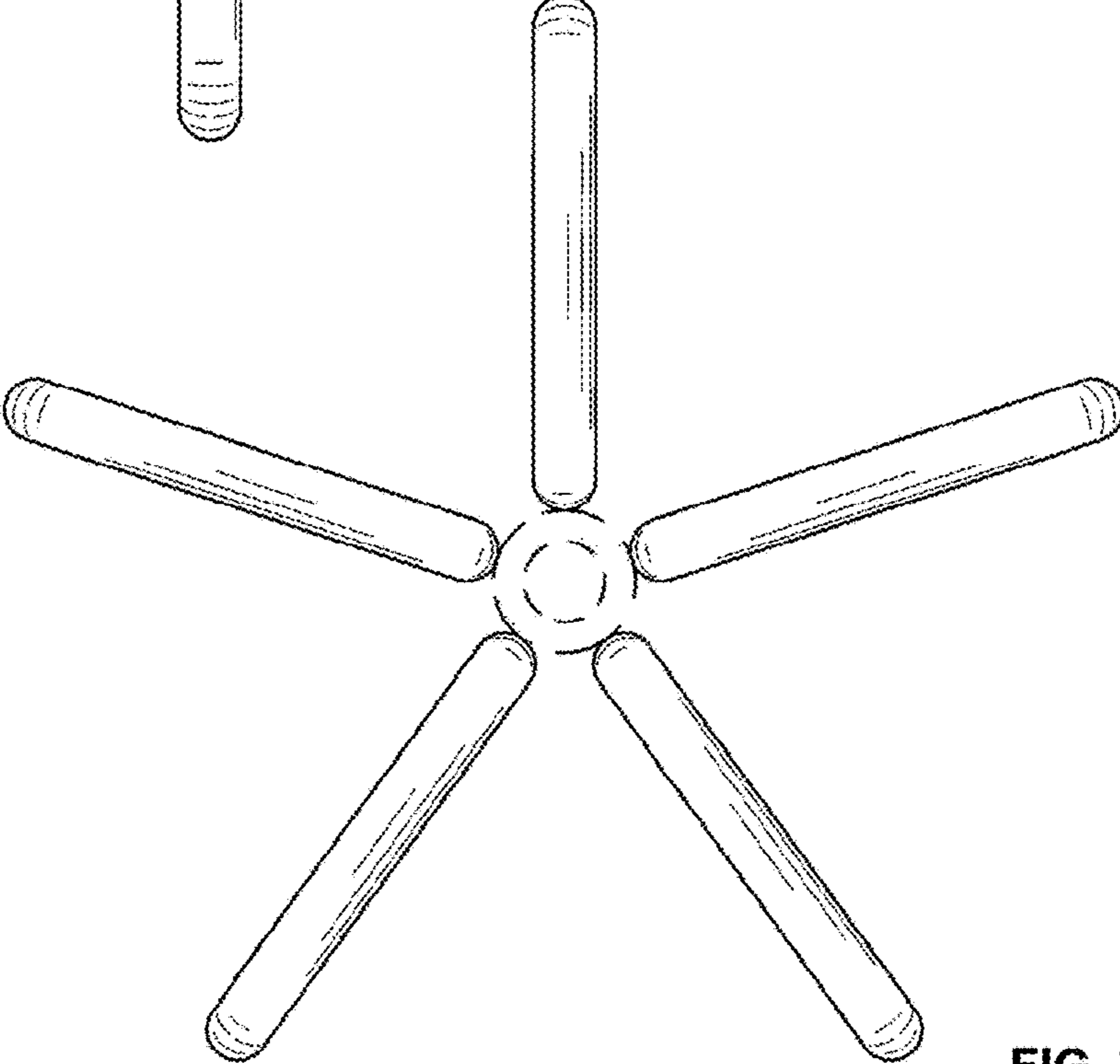


FIG. 7