



US00D852232S

(12) **United States Design Patent**
Eidson et al.

(10) **Patent No.:** **US D852,232 S**
(45) **Date of Patent:** **** Jun. 25, 2019**

(54) **ROBOTIC MOWER BODY**

(71) Applicant: **HUSQVARNA AB**, Huskvarna (SE)

(72) Inventors: **David Eidson**, Charlotte, NC (US);
Tiawaun Phillips, Cheraw, SC (US)

(73) Assignee: **HUSQVARNA AB**, Huskvarna (SE)

(**) Term: **15 Years**

(21) Appl. No.: **29/641,612**

(22) Filed: **Mar. 23, 2018**

(51) **LOC (11) Cl.** **15-03**

(52) **U.S. Cl.**
USPC **D15/14; D15/17**

(58) **Field of Classification Search**

USPC D15/14, 17, 18; 56/11.9, 17.5, 13.4,
56/12.8, 16.7, 202, 255, 294, 295, 320.1,
56/320.2; 180/900, 89.1, 89.12
CPC A01D 34/008; A01D 34/81; A01D 34/416;
A01D 34/4166; A01D 34/4167; A01D
34/87; A01D 34/90; B60L 1/003; B60L
3/0061; B60L 11/1803; B60L 11/1805;
B60L 11/1877; B60L 15/20; B60L
2260/28; B60L 2200/40; B60L 2220/16;
B60L

(Continued)

(56) **References Cited**

U.S. PATENT DOCUMENTS

D420,365 S * 2/2000 Gunnar D15/14
D451,931 S * 12/2001 Abramson D15/14

(Continued)

Primary Examiner — Mark A Goodwin

(74) *Attorney, Agent, or Firm* — Burr Forman McNair

(57) **CLAIM**

The ornamental design for the robotic mower body, as shown and described.

DESCRIPTION

The file of this patent contains at least one drawing/photograph executed in color. Copies of this patent with color drawing(s)/photograph(s) will be provided by the Office upon request and payment of the necessary fee.

FIG. 1 is a perspective view of a robotic mower body in accordance with an embodiment of the present invention; FIG. 2 is a rear view of the robotic mower body of FIG. 1; FIG. 3 is a front view of the robotic mower body of FIG. 1; FIG. 4 is a right side view of the robotic mower body of FIG. 1;

FIG. 5 is a left side view of the robotic mower body of FIG. 1;

FIG. 6 is a top view of the robotic mower body of FIG. 1; FIG. 7 is a bottom view of the robotic mower body of FIG. 1;

FIG. 8 is a second embodiment of a colorized top view of the robotic mower body of FIG. 1 in accordance with the present invention.

FIG. 9 is a right side view of the robotic mower body of FIG. 8;

FIG. 10 is a left side view of the robotic mower body of FIG. 8;

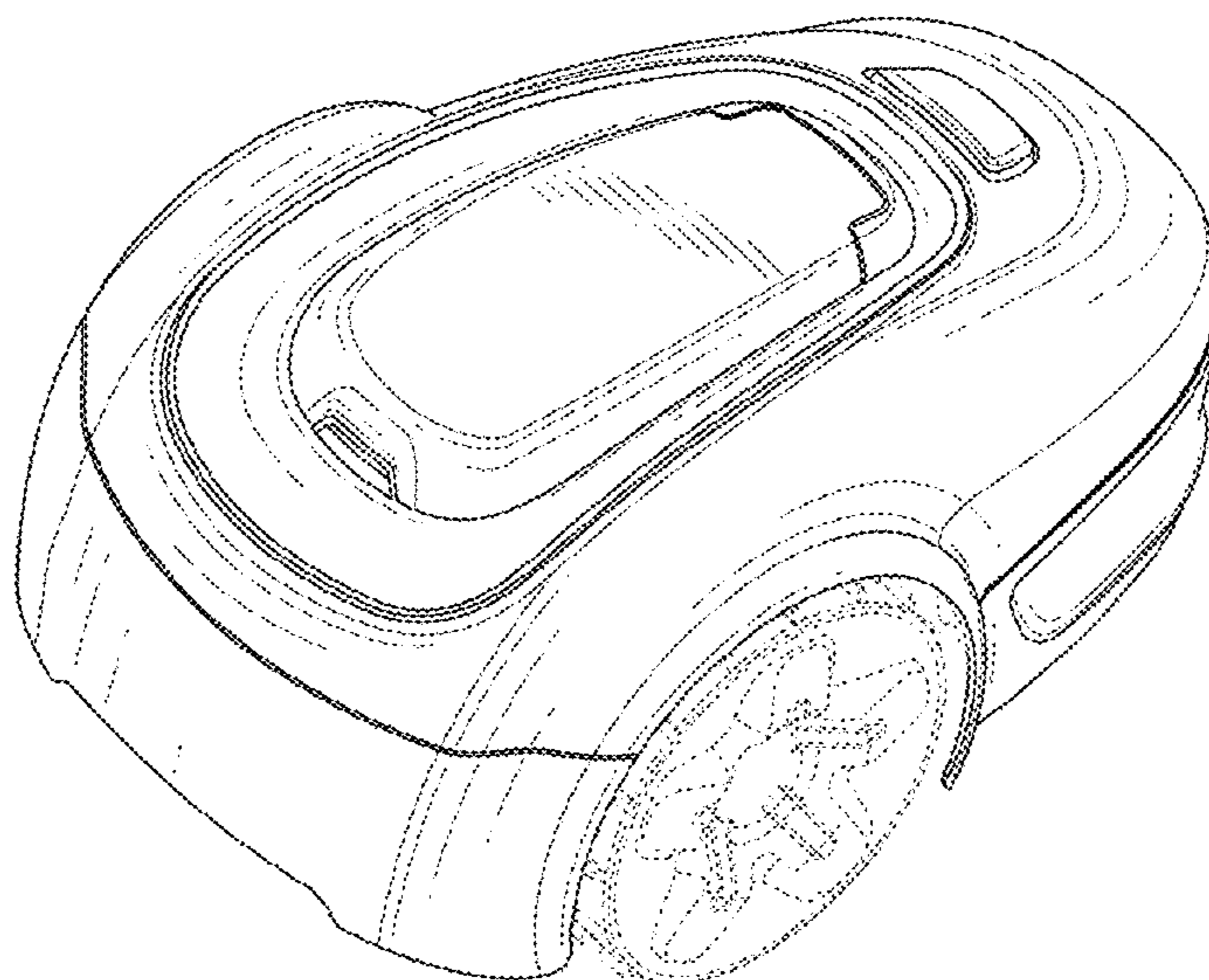
FIG. 11 is a perspective view of the robotic mower body of FIG. 8;

FIG. 12 is a rear view of the robotic mower body of FIG. 8; FIG. 13 is a front view of the robotic mower body of FIG. 8; and,

FIG. 14 is a bottom view of the robotic mower body of FIG. 8.

The broken lines of the robotic mower body in FIGS. 1-14 are illustrative of the visible environmental structure of the robotic mower body and form no part of the claimed design.

1 Claim, 13 Drawing Sheets
(6 of 13 Drawing Sheet(s) Filed in Color)



(58) **Field of Classification Search**

CPC 2220/46; B60L 2240/36; B60L 2240/421;
A01G 3/04; A01G 3/0435

See application file for complete search history.

(56) **References Cited**

U.S. PATENT DOCUMENTS

D504,901 S *	5/2005	Wickstrom	D15/14
D559,867 S *	1/2008	Abramson	D15/14
D652,431 S *	1/2012	Naslund	D15/14
D656,163 S *	3/2012	Johansson	D15/14
D678,352 S *	3/2013	Maeda	D15/14
D679,294 S *	4/2013	Tajik	D15/14
D679,295 S *	4/2013	Tajik	D15/14
D681,065 S *	4/2013	Maeda	D15/14
D688,276 S *	8/2013	Naslund	D15/14
D718,339 S *	11/2014	Damshak	D15/14
D729,280 S *	5/2015	Naslund	D15/14
D745,897 S *	12/2015	Mehra	D15/14
D781,926 S *	3/2017	Al-Hashimi	D15/14

* cited by examiner

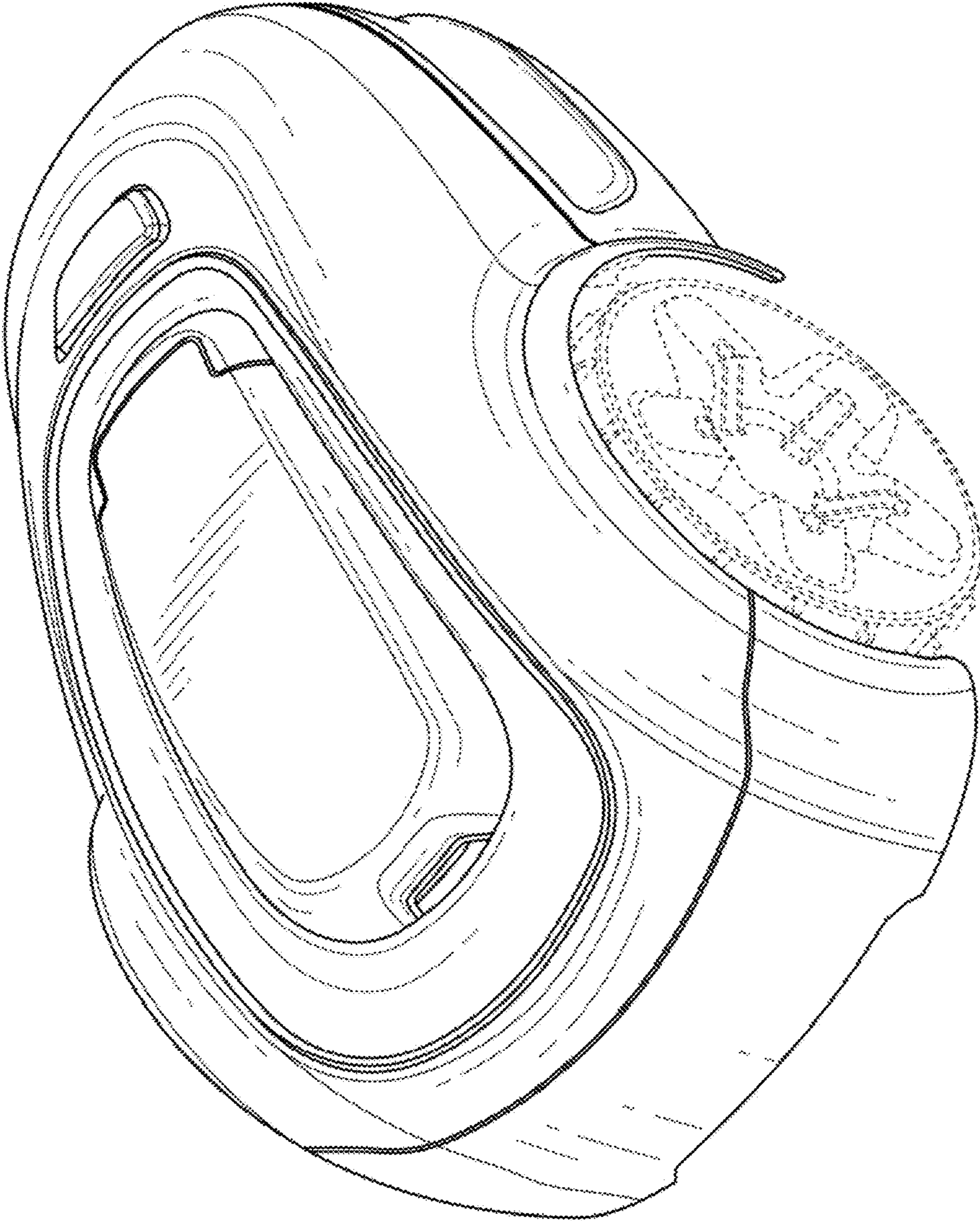


FIG. 1

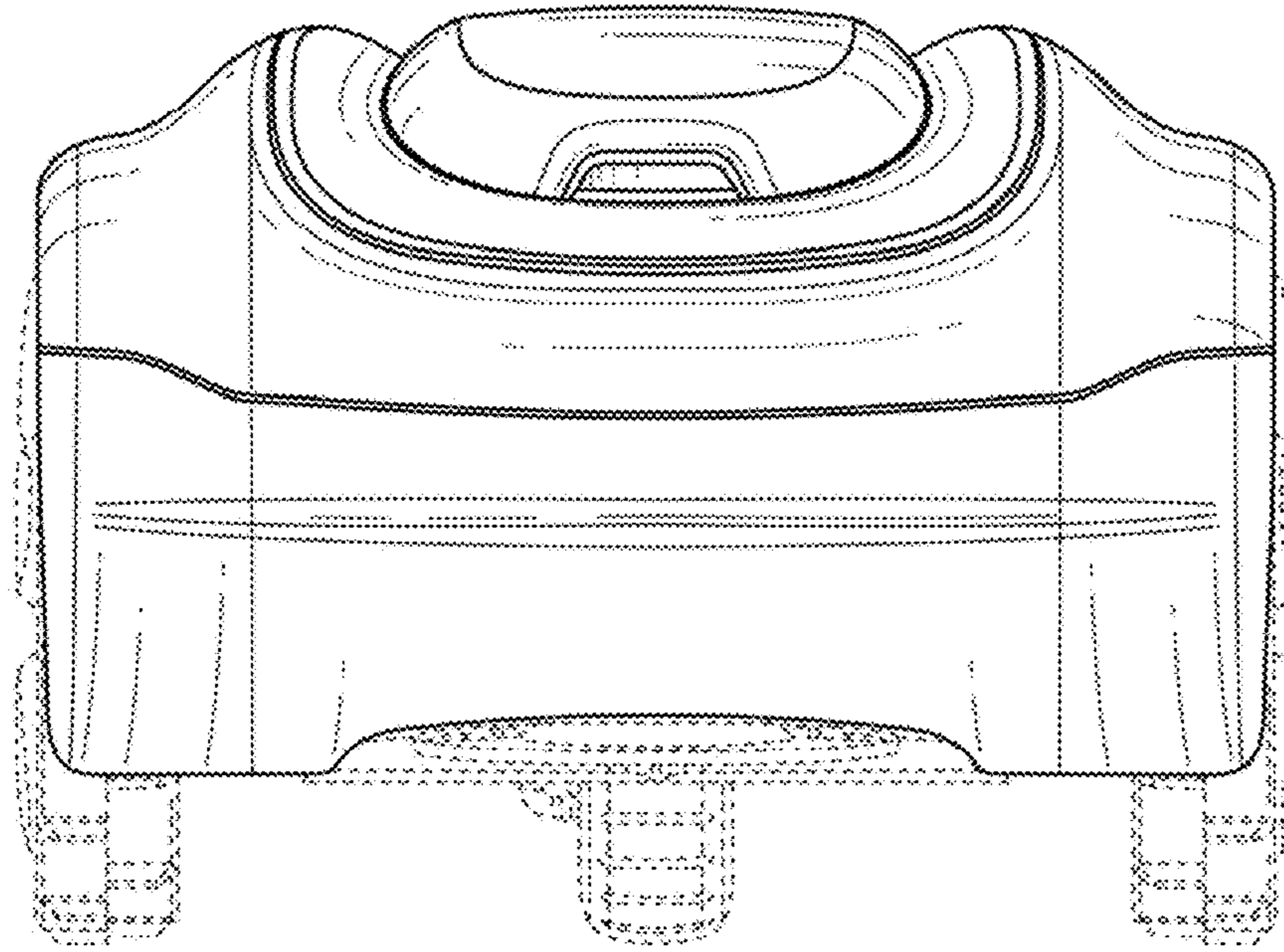


FIG. 2

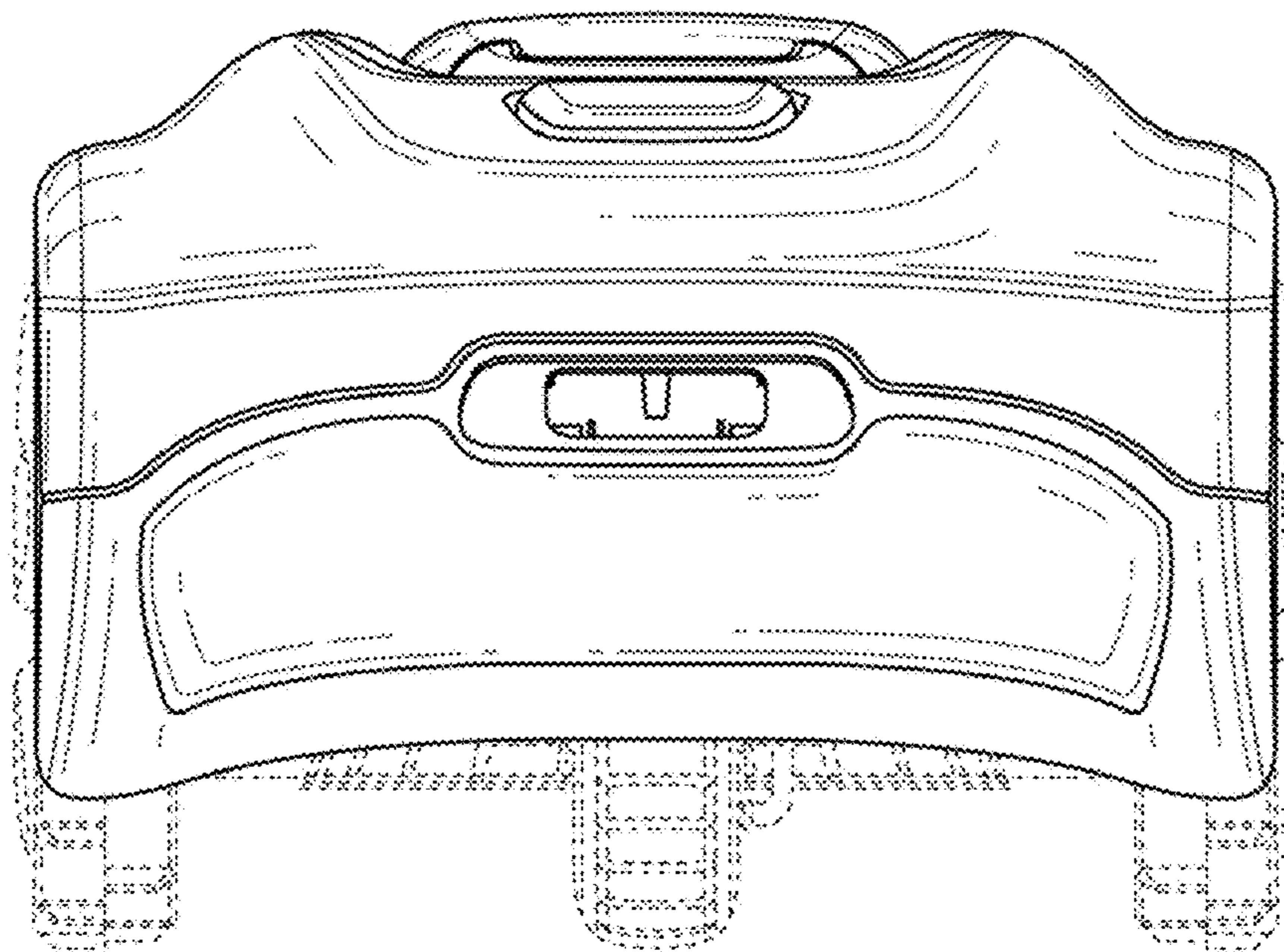


FIG. 3

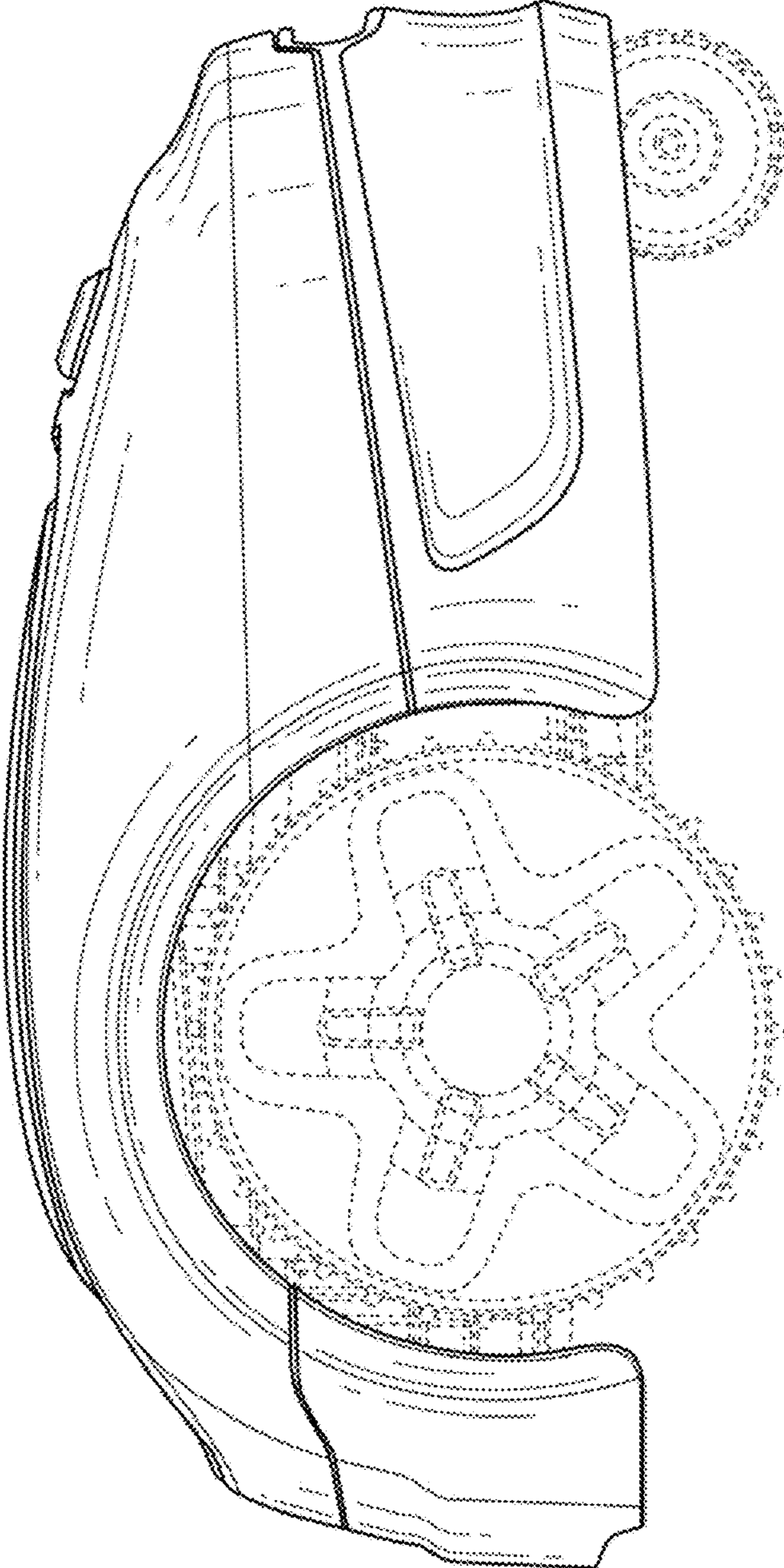


FIG. 4

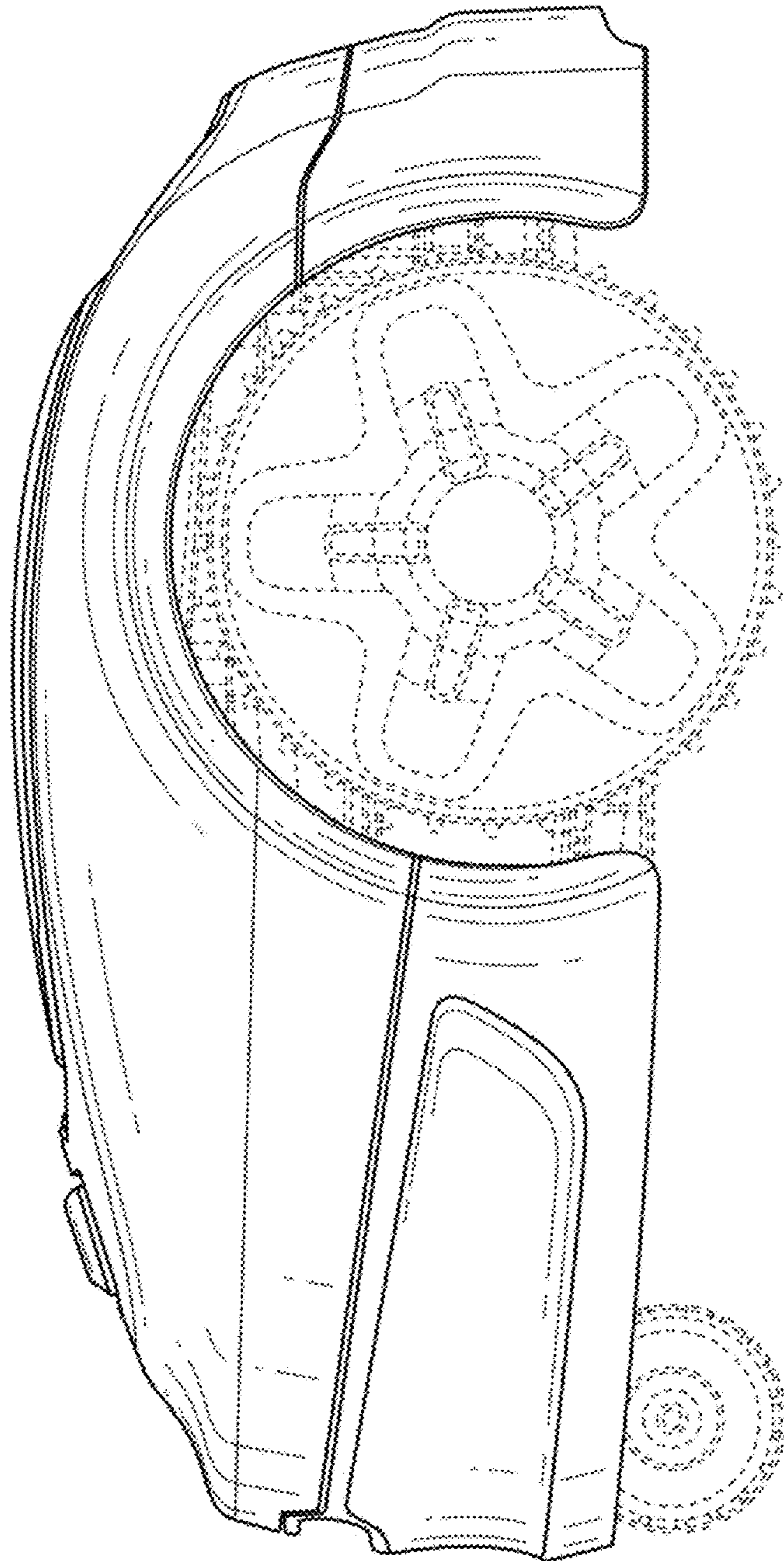


FIG. 5

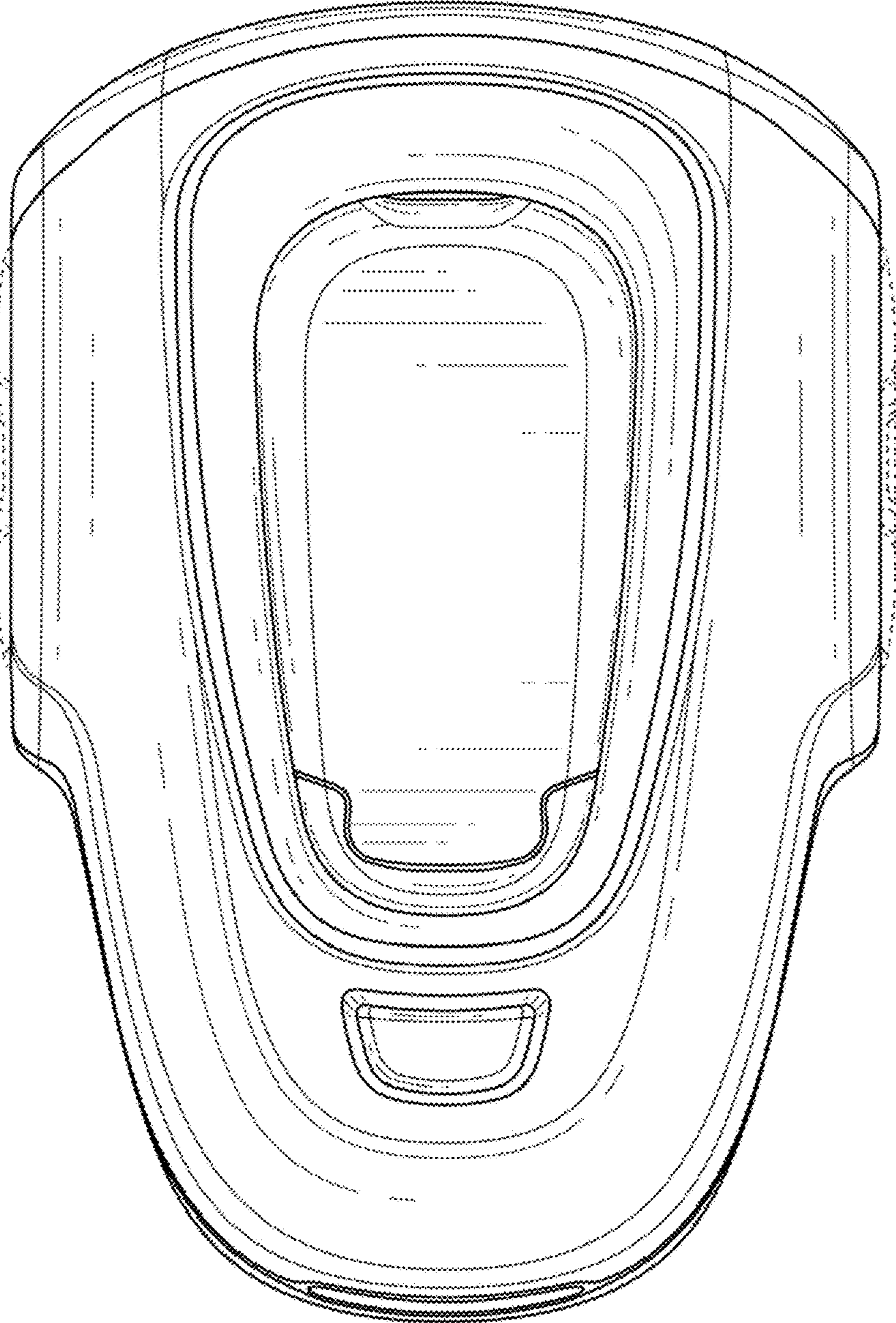


FIG. 6

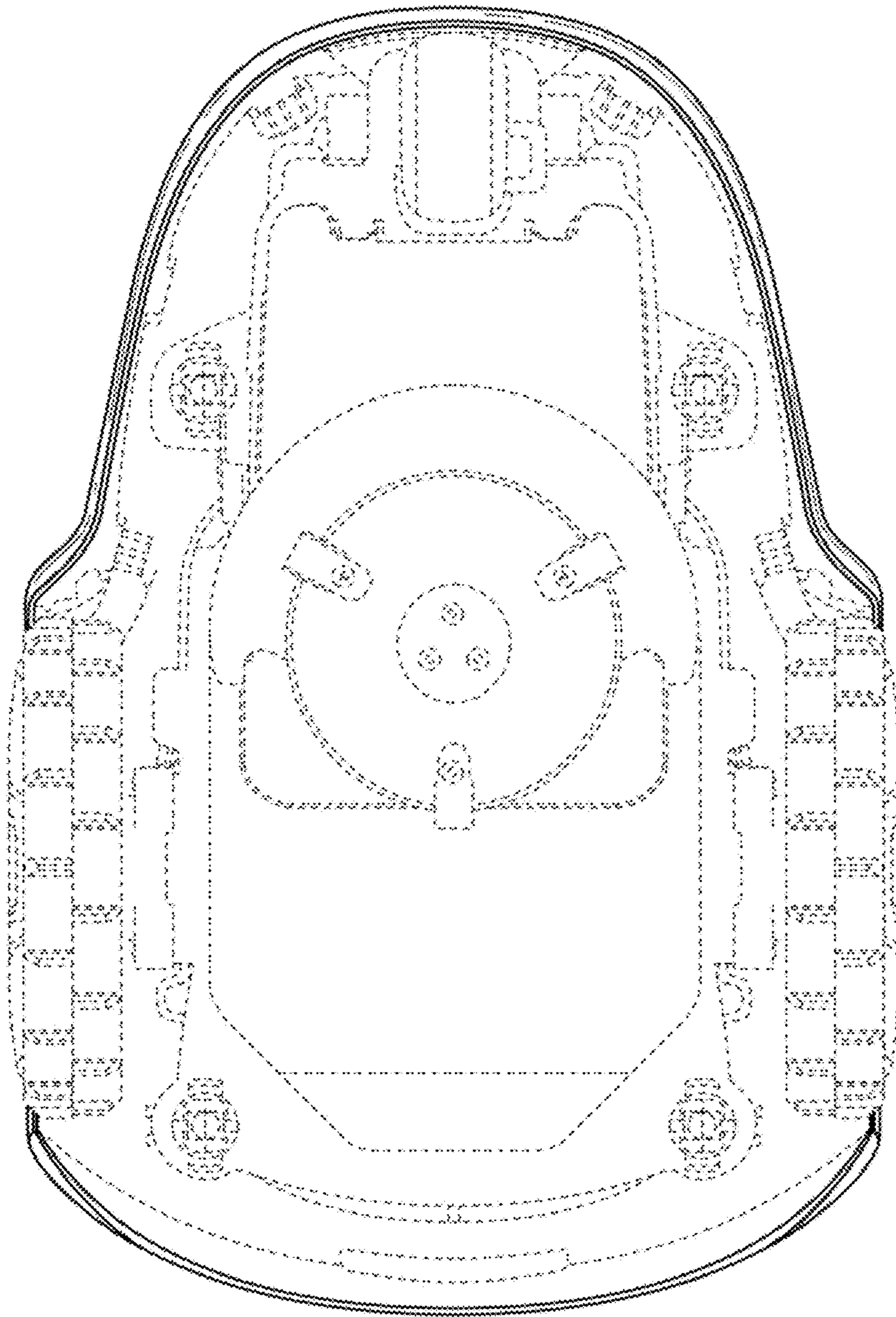


FIG. 7



FIG. 8



FIG. 9



FIG. 10



FIG. 11



FIG. 12



FIG. 13

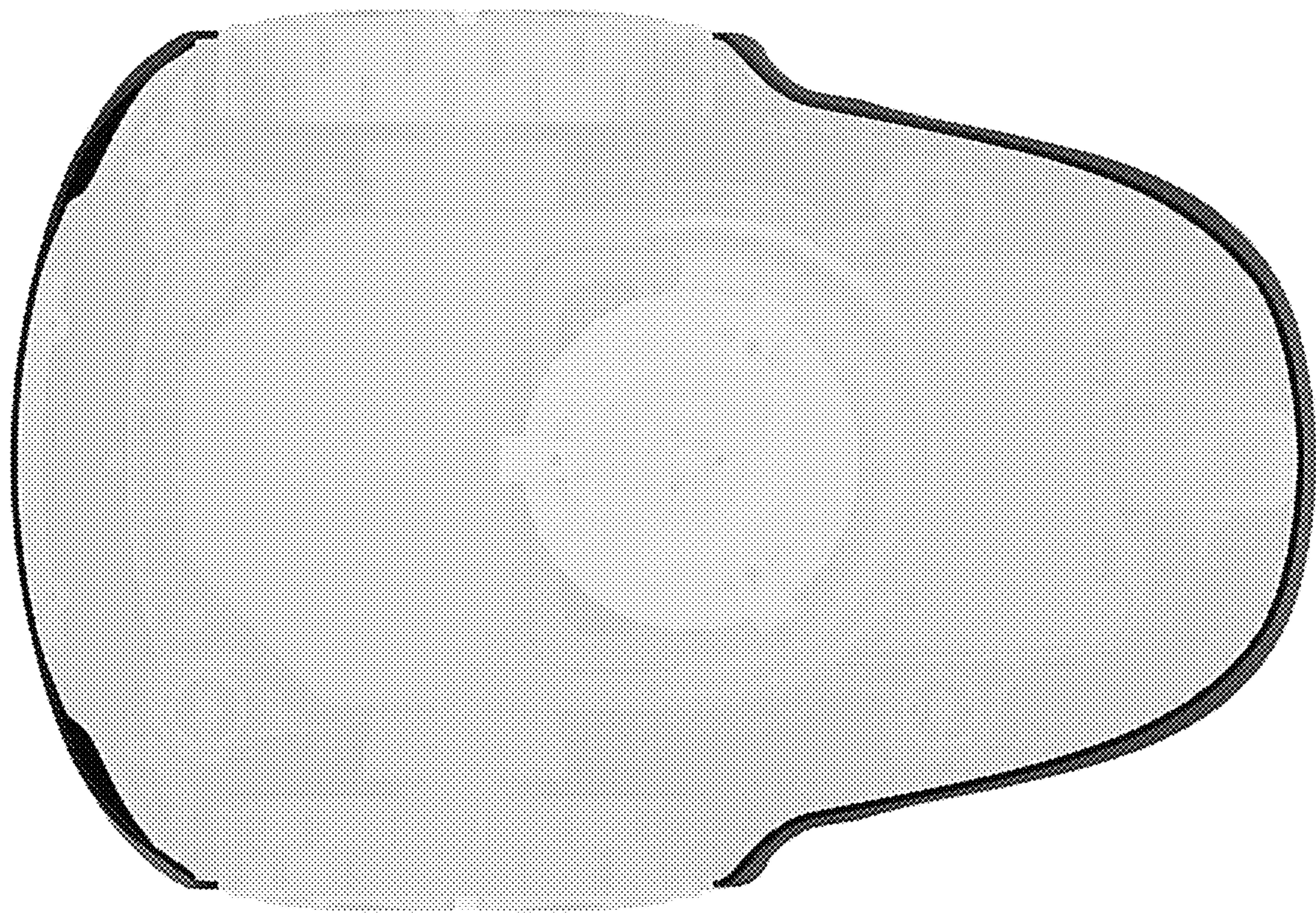


FIG. 14