



US00D852201S

(12) **United States Design Patent**  
**Chan et al.**

(10) **Patent No.:** **US D852,201 S**  
(45) **Date of Patent:** **\*\* Jun. 25, 2019**

- (54) **CASE FOR PORTABLE ELECTRONIC COMPUTING DEVICE**
- (71) Applicant: **Pioneer Square Brands, Inc.**, Seattle, WA (US)
- (72) Inventors: **Jaimie Emerald Chan**, Renton, WA (US); **Michael Cooper Ferren**, Camus, WA (US); **Michael Heecheol Kim**, Seattle, WA (US)
- (73) Assignee: **PIONEER SQUARE BRANDS, INC.**, McLean, VA (US)

- D694,759 S 12/2013 Chang et al.
- D695,298 S 12/2013 Han et al.
- D696,257 S 12/2013 Ward et al.
- D709,510 S 7/2014 Soare
- D716,282 S 10/2014 Melanson et al.
- D718,316 S 11/2014 Veltz et al.
- D729,252 S 5/2015 Smith et al.
- D729,811 S 5/2015 Alis
- D734,761 S 7/2015 Ballou et al.
- D763,854 S 8/2016 Donke et al.
- D763,856 S 8/2016 Moore
- D770,458 S 11/2016 Corcoran et al.
- D775,132 S 12/2016 Smith et al.
- D777,727 S 1/2017 Maicon et al.
- D789,937 S 6/2017 Zhang
- D791,773 S 7/2017 Moore et al.
- D794,625 S 8/2017 Armstrong et al.

(\*\*) Term: **15 Years**

(21) Appl. No.: **29/676,536**

(22) Filed: **Jan. 11, 2019**

(51) **LOC (11) Cl.** ..... **14-02**

(52) **U.S. Cl.**  
USPC ..... **D14/440**

(58) **Field of Classification Search**  
USPC ..... D14/440, 447, 250; 206/45.23, 320,  
206/45.2; 361/679.55; 294/25; 224/218  
CPC ... G06F 1/1628; G06F 1/1626; A47B 23/044;  
H04B 1/3888  
See application file for complete search history.

(56) **References Cited**

**U.S. PATENT DOCUMENTS**

- D574,385 S 8/2008 Koh et al.
- D574,836 S 8/2008 Koh et al.
- D636,396 S 4/2011 Li
- D641,756 S 7/2011 Hsieh et al.
- D643,843 S 8/2011 Hsieh et al.
- D665,168 S 8/2012 Dawson
- D668,660 S 10/2012 Norfolk
- D673,159 S 12/2012 McCarthy et al.
- D674,801 S 1/2013 Wharram
- D688,249 S 8/2013 Wharram
- D691,122 S 10/2013 Bau

(Continued)

**OTHER PUBLICATIONS**

Design U.S. Appl. No. 29/663,067 Portable Electronic Device Case, Michael Heecheol Kim, et al. filed Nov. 9, 2018.

(Continued)

*Primary Examiner* — Cynthia R Underwood  
(74) *Attorney, Agent, or Firm* — Grandview Law

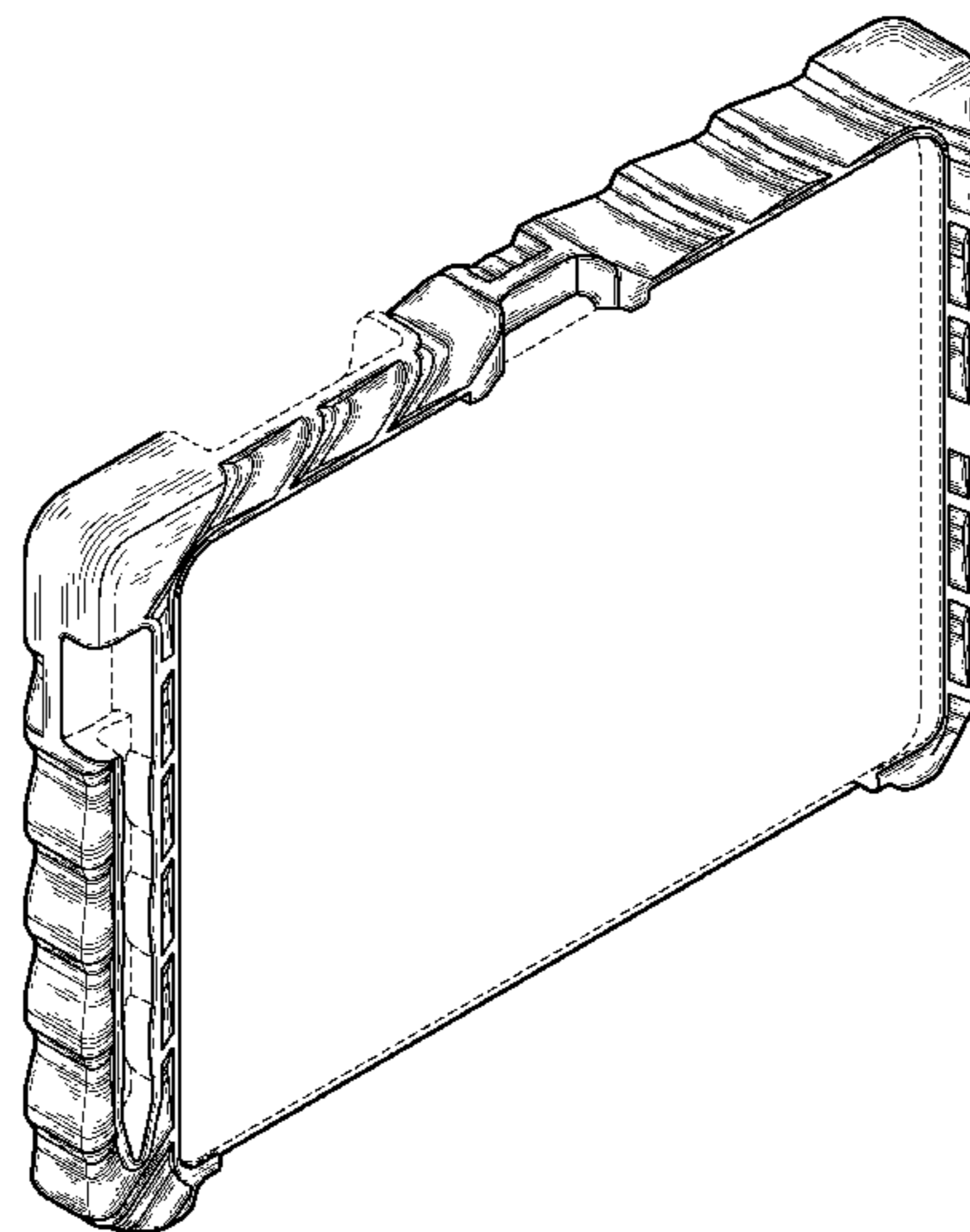
(57) **CLAIM**

The ornamental design for a case for portable electronic computing device, as shown and described.

**DESCRIPTION**

FIG. 1 is a front perspective view of a first embodiment. FIG. 2 is a front elevational view thereof. FIG. 3 is a rear elevational view thereof. FIG. 4 is a top elevational view thereof. FIG. 5 is a bottom elevational view thereof. FIG. 6 is a left elevational view thereof; and, FIG. 7 is a right elevational view thereof. The features shown in broken lines in the drawing figures depict features that form no part of the claimed design.

**1 Claim, 3 Drawing Sheets**



(56)

**References Cited**

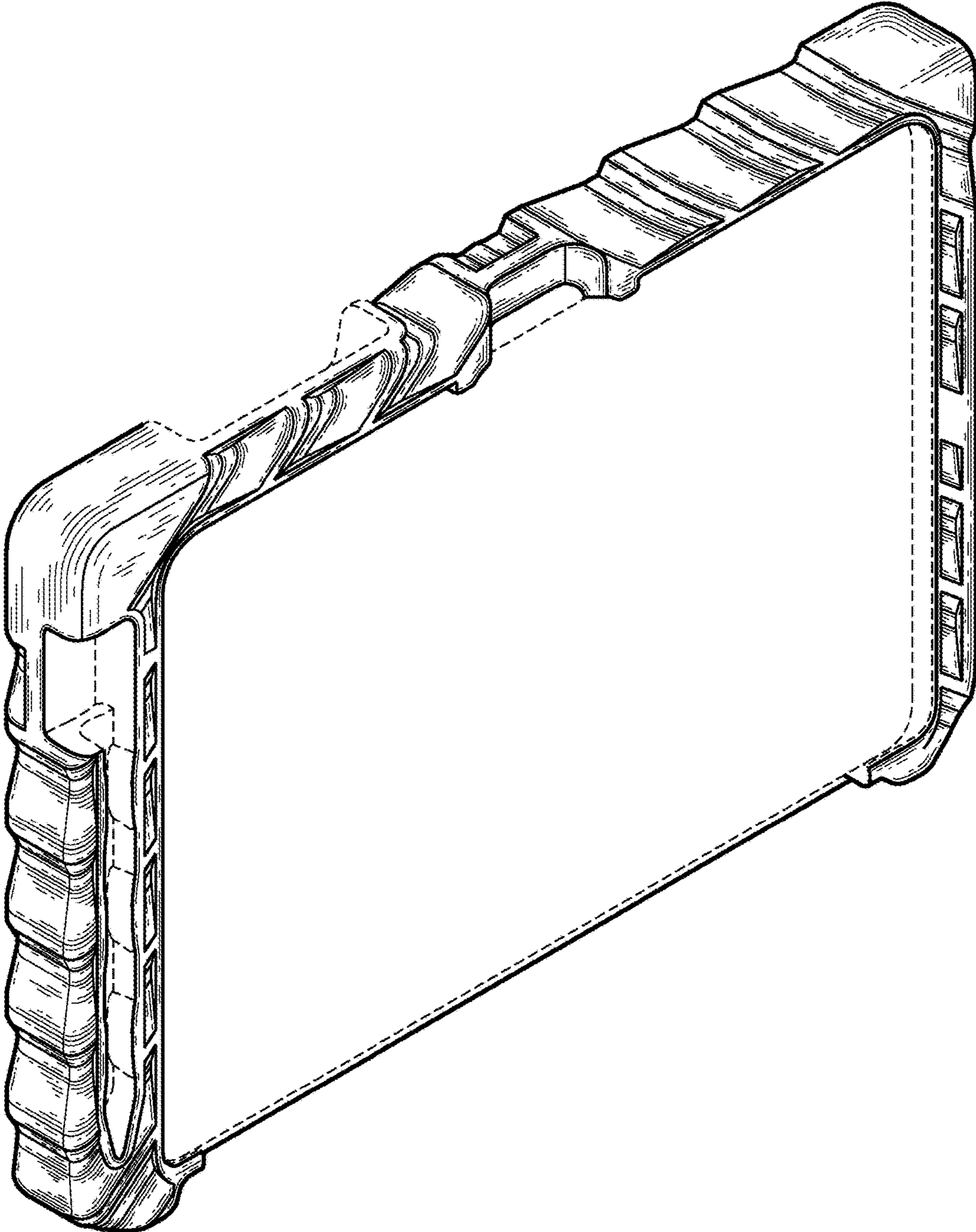
U.S. PATENT DOCUMENTS

D795,878 S 8/2017 English et al.  
D806,082 S 12/2017 Armstrong et al.  
D811,410 S 2/2018 Burmester  
D812,065 S 3/2018 Shim  
D812,618 S 3/2018 Altaras  
D812,619 S 3/2018 Altaras  
D816,651 S 5/2018 Chiang et al.  
D817,334 S \* 5/2018 Fenton ..... D14/440  
D817,944 S 5/2018 Akana et al.  
D821,380 S 6/2018 Cramer et al.  
D821,382 S 6/2018 Livingston  
D822,014 S 7/2018 Han  
D823,297 S 7/2018 Kim et al.  
D827,630 S 9/2018 Ahn  
D828,842 S 9/2018 Mecchella et al.  
D831,631 S 10/2018 Li  
D832,019 S 10/2018 Kim  
D832,269 S 10/2018 Cheng  
D833,425 S 11/2018 Ahn  
D834,026 S 11/2018 Moore et al.  
D834,581 S 11/2018 Li  
D837,779 S 1/2019 Kim  
D837,796 S 1/2019 Kim et al.  
D841,011 S \* 2/2019 Mecchella ..... D14/440  
D841,012 S \* 2/2019 Kim ..... D14/440  
D841,013 S \* 2/2019 Ferren ..... D14/440

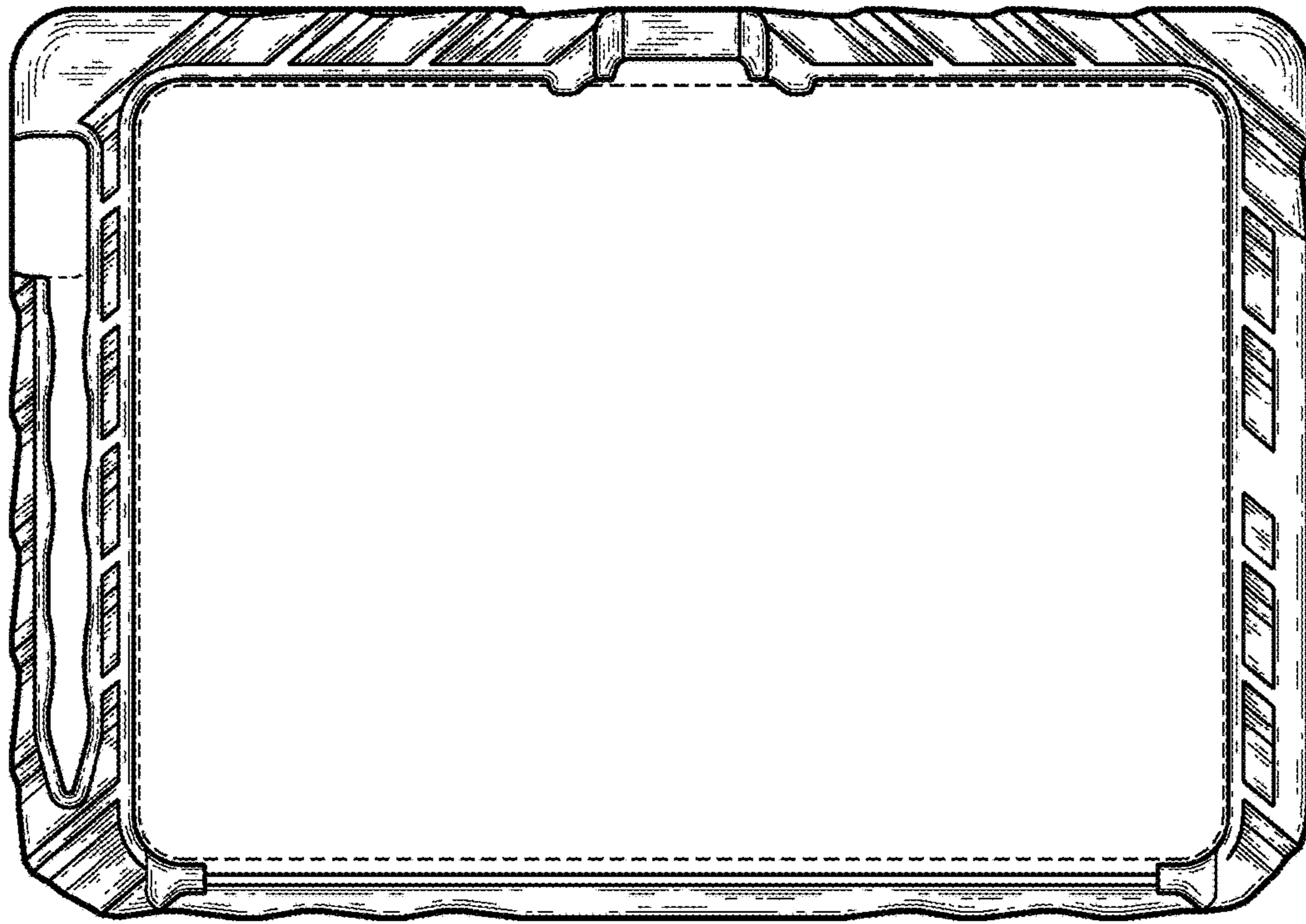
OTHER PUBLICATIONS

Design U.S. Appl. No. 29/663,902 Case for Portable Electronic Device, Michael Cooper Ferren, et al. filed Nov. 18, 2018.

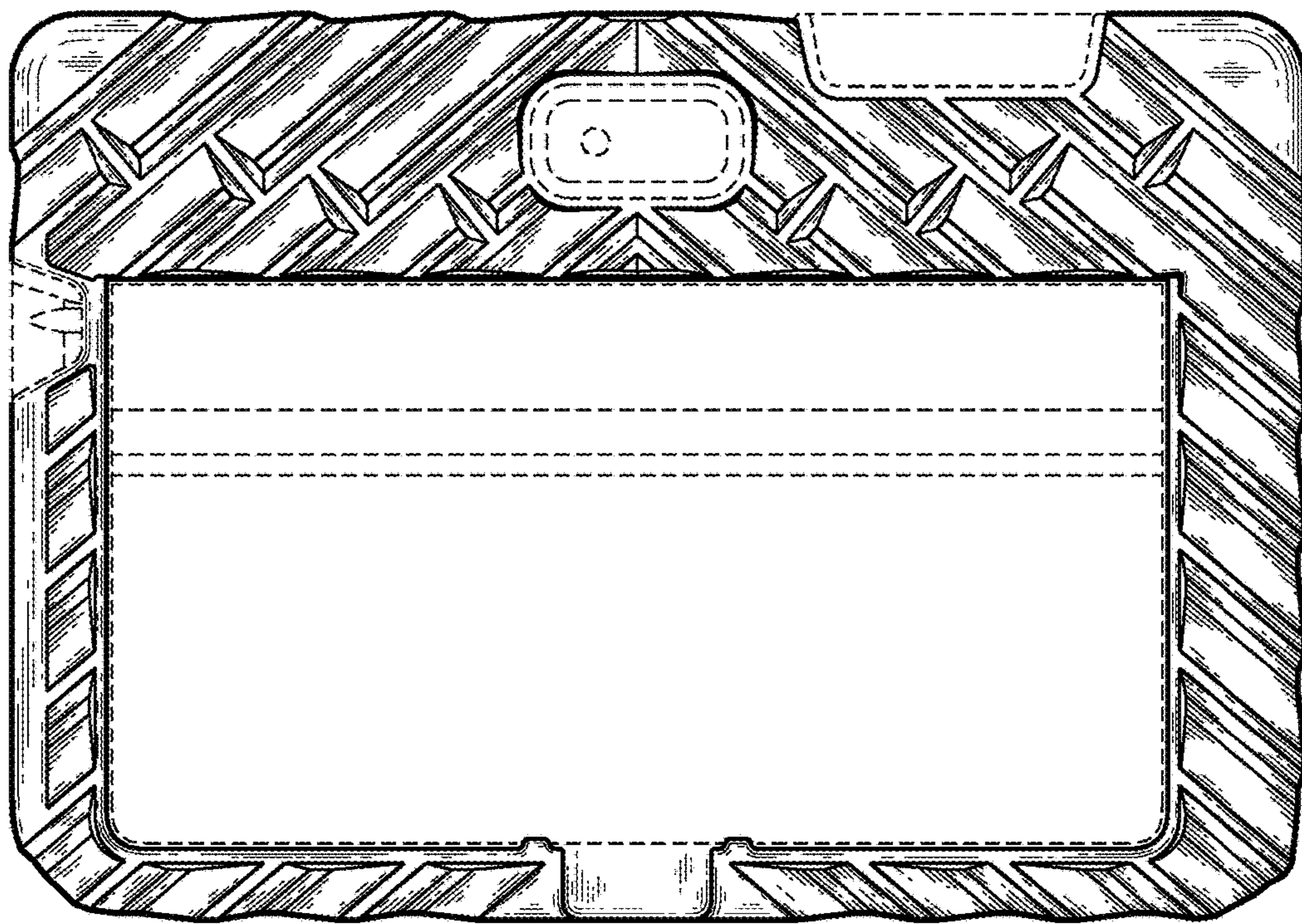
\* cited by examiner



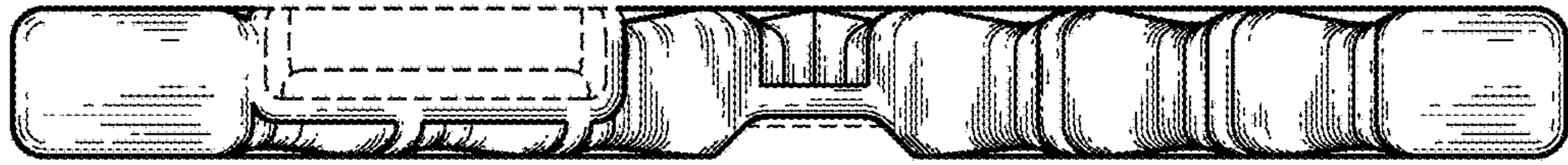
*Fig. 1*



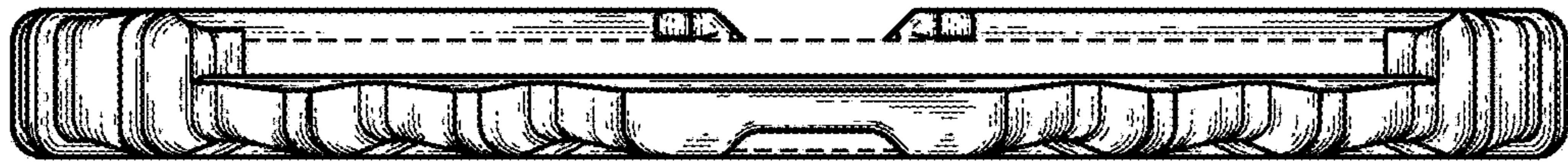
*Fig. 2*



*Fig. 3*



*Fig. 4*



*Fig. 5*



*Fig. 6*



*Fig. 7*