

US00D852200S

(12) **United States Design Patent**
Chan et al.

(10) **Patent No.:** **US D852,200 S**
(45) **Date of Patent:** **** Jun. 25, 2019**

- (54) **CASE WITH HANDLE FOR PORTABLE COMPUTING DEVICE**
- (71) Applicant: **Pioneer Square Brands, Inc.**, Seattle, WA (US)
- (72) Inventors: **Jaimie Emerald Chan**, Renton, WA (US); **Michael Cooper Ferren**, Camus, WA (US); **Michael Heecheol Kim**, Seattle, WA (US)
- (73) Assignee: **PIONEER SQUARE BRANDS, INC.**, McLean, VA (US)
- (**) Term: **15 Years**
- (21) Appl. No.: **29/676,452**
- (22) Filed: **Jan. 10, 2019**
- (51) **LOC (11) Cl.** **14-02**
- (52) **U.S. Cl.**
USPC **D14/440**
- (58) **Field of Classification Search**
USPC D14/440, 447, 250; 206/45.23, 320, 206/45.2; 361/679.55; 294/25; 224/218
CPC ... G06F 1/1628; G06F 1/1626; A47B 23/044; H04B 1/3888
See application file for complete search history.

- D676,449 S * 2/2013 Probst D14/440
- D685,376 S * 7/2013 Kim D14/439
- D689,056 S 9/2013 Li
- D690,704 S 10/2013 Padilla et al.
- D691,144 S 10/2013 Peters et al.
- D691,146 S 10/2013 Perez
- D694,246 S * 11/2013 Park D14/440
- D703,672 S 4/2014 Kim et al.
- 8,690,210 B1 * 4/2014 May A45F 5/00
224/217
- D712,412 S * 9/2014 Bleau D14/440
- D721,075 S * 1/2015 Toda D14/342
- D721,376 S * 1/2015 Lee D14/440
- D725,659 S * 3/2015 Tussy D14/440
- D727,917 S * 4/2015 Yeo D14/440
- D733,154 S * 6/2015 Armstrong D14/440
- D741,335 S * 10/2015 Bastian D14/440
- D747,321 S * 1/2016 London D14/440
- D749,592 S * 2/2016 Huang D14/440
- D752,052 S * 3/2016 Park D14/440
- D763,853 S * 8/2016 Pearce D14/440
- D765,085 S * 8/2016 Moore D14/440

(Continued)

Primary Examiner — Cynthia R Underwood
(74) *Attorney, Agent, or Firm* — Grandview Law

(57) **CLAIM**

The ornamental design for a case with handle for portable computing device, as shown and described.

DESCRIPTION

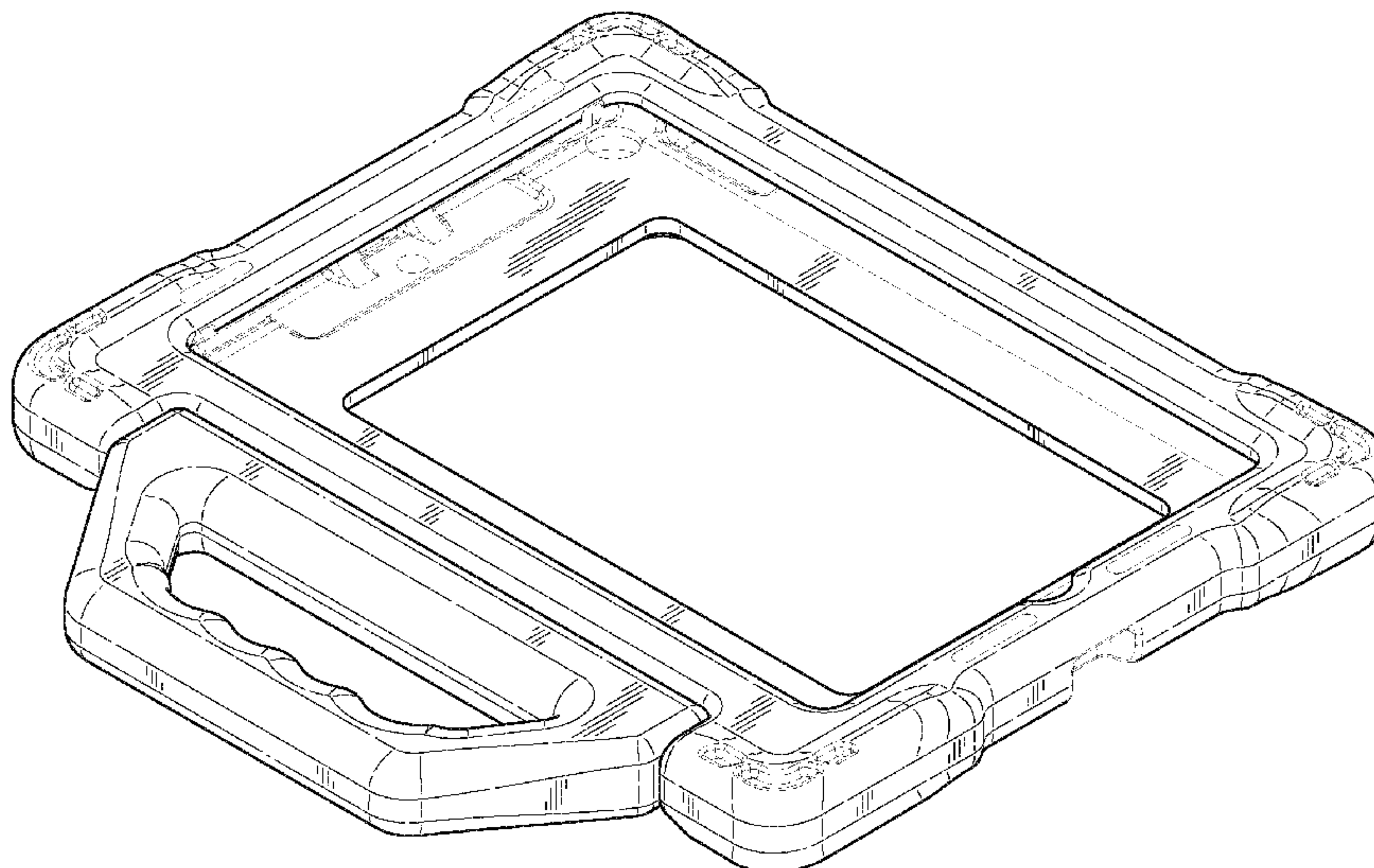
FIG. 1 is a front perspective view of a first embodiment. FIG. 2 is a front elevational view thereof. FIG. 3 is a rear elevational view thereof. FIG. 4 is a left elevational view thereof. FIG. 5 is a right elevational view thereof. FIG. 6 is a bottom elevational view thereof; and, FIG. 7 is a top elevational view thereof. The features shown in broken lines in the drawing figures depict features that form no part of the claimed design.

1 Claim, 6 Drawing Sheets

(56) **References Cited**

U.S. PATENT DOCUMENTS

- 6,726,070 B2 * 4/2004 Lautner A44C 5/0007
224/221
- D492,303 S * 6/2004 Schlieffers D14/341
- D591,801 S * 5/2009 Mak D21/469
- D594,004 S * 6/2009 Takemasa D14/341
- D611,467 S * 3/2010 Gou D14/315
- D613,285 S * 4/2010 Grant D14/341
- D626,123 S * 10/2010 Peng D14/324
- D665,168 S 8/2012 Dawson



(56)

References Cited

U.S. PATENT DOCUMENTS

9,407,743 B1 * 8/2016 Hirshberg H04M 1/04
 D766,249 S * 9/2016 Veltz D14/440
 D771,030 S * 11/2016 Tussy D14/250
 D784,350 S * 4/2017 Li D14/440
 D794,625 S * 8/2017 Armstrong D14/250
 D797,106 S * 9/2017 Paolizzi D14/426
 D807,366 S 1/2018 Chen
 D834,027 S * 11/2018 Chapuis G09F 19/02
 D834,581 S * 11/2018 Li D14/440
 D835,624 S * 12/2018 Li D14/440
 D835,625 S * 12/2018 Li D14/440
 D842,861 S * 3/2019 Bailey D14/440
 D843,377 S * 3/2019 Tang D14/440
 2004/0226973 A1 * 11/2004 Kao F16M 11/041
 2007/0215512 A1 * 9/2007 Bellissimo A47G 23/0625
 206/557

2009/0219677 A1 * 9/2009 Mori A45F 3/14
 361/679.03
 2011/0267748 A1 * 11/2011 Lane A45F 5/00
 361/679.01
 2011/0309117 A1 * 12/2011 Roberts A45F 5/00
 224/217
 2012/0091312 A1 * 4/2012 Baker F16M 13/00
 248/682
 2014/0054910 A1 * 2/2014 Kim H04B 1/385
 294/158
 2014/0152034 A1 * 6/2014 Tussy F16M 13/04
 294/142
 2015/0009610 A1 * 1/2015 London G06F 1/163
 361/679.03
 2015/0068934 A1 * 3/2015 Armstrong A45C 11/00
 206/320
 2015/0201743 A1 * 7/2015 Erickson-Davis A45F 5/00
 224/218
 2017/0045920 A1 * 2/2017 Armstrong G06F 1/1669

* cited by examiner

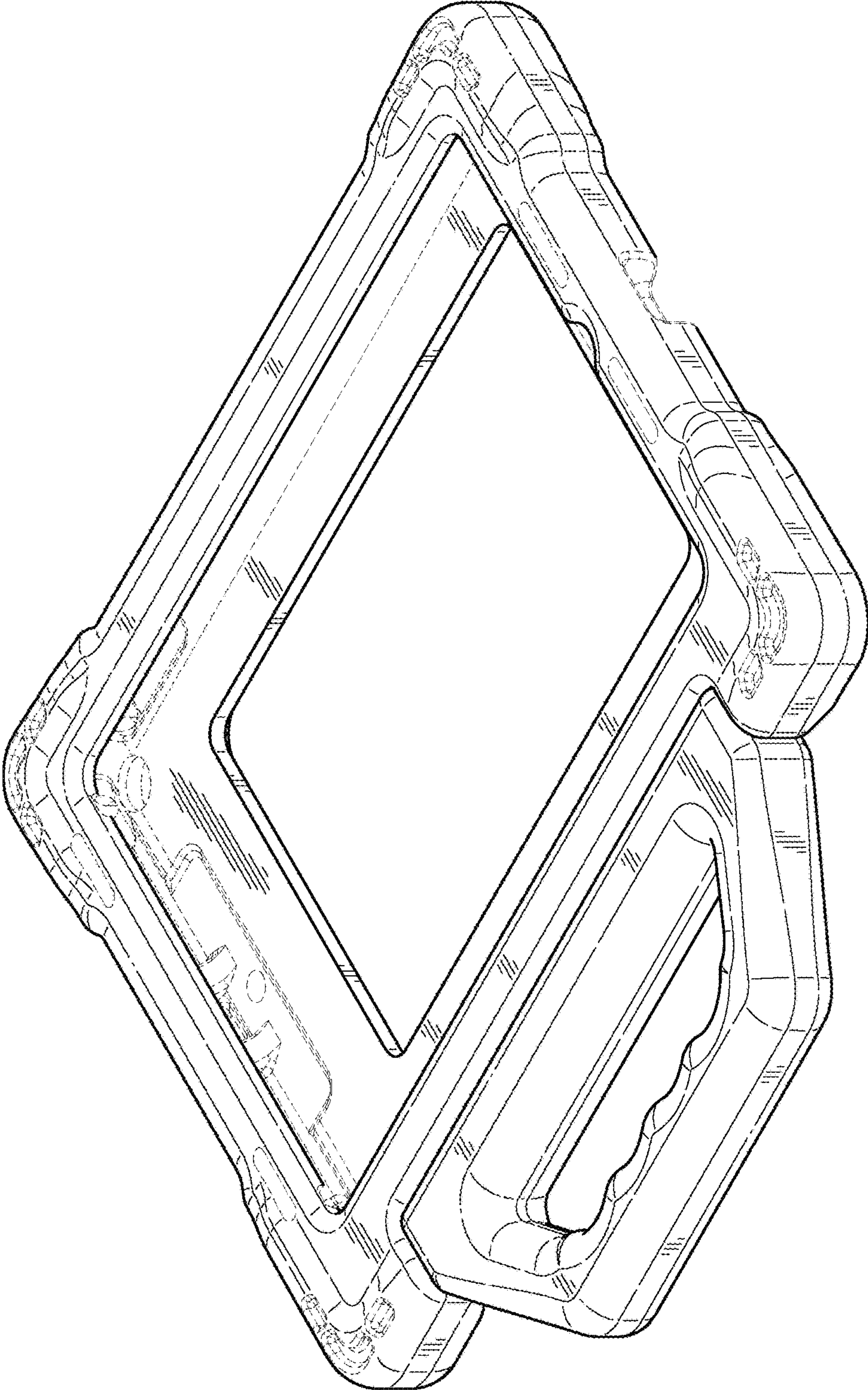


FIG. 1

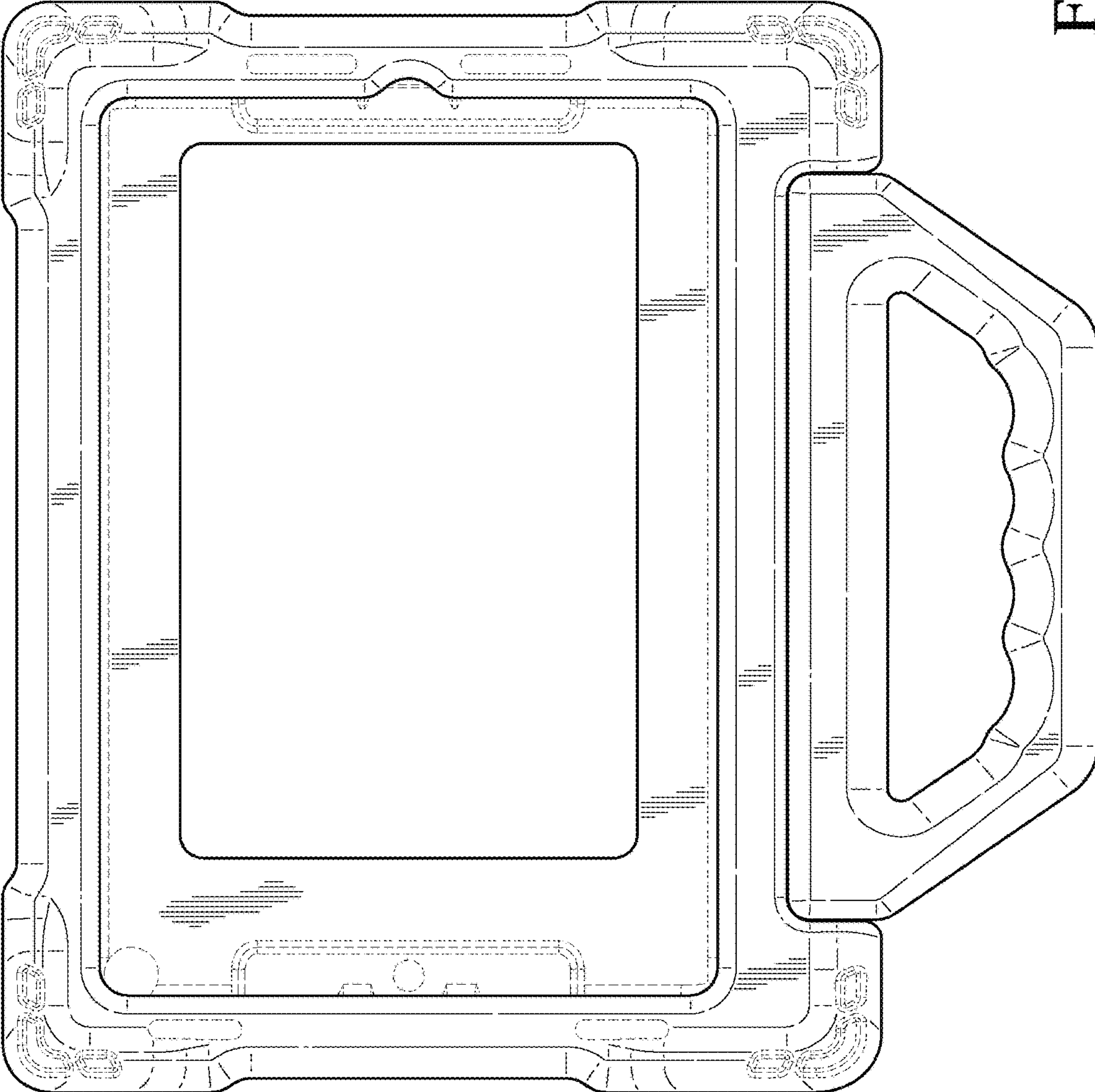


FIG. 2

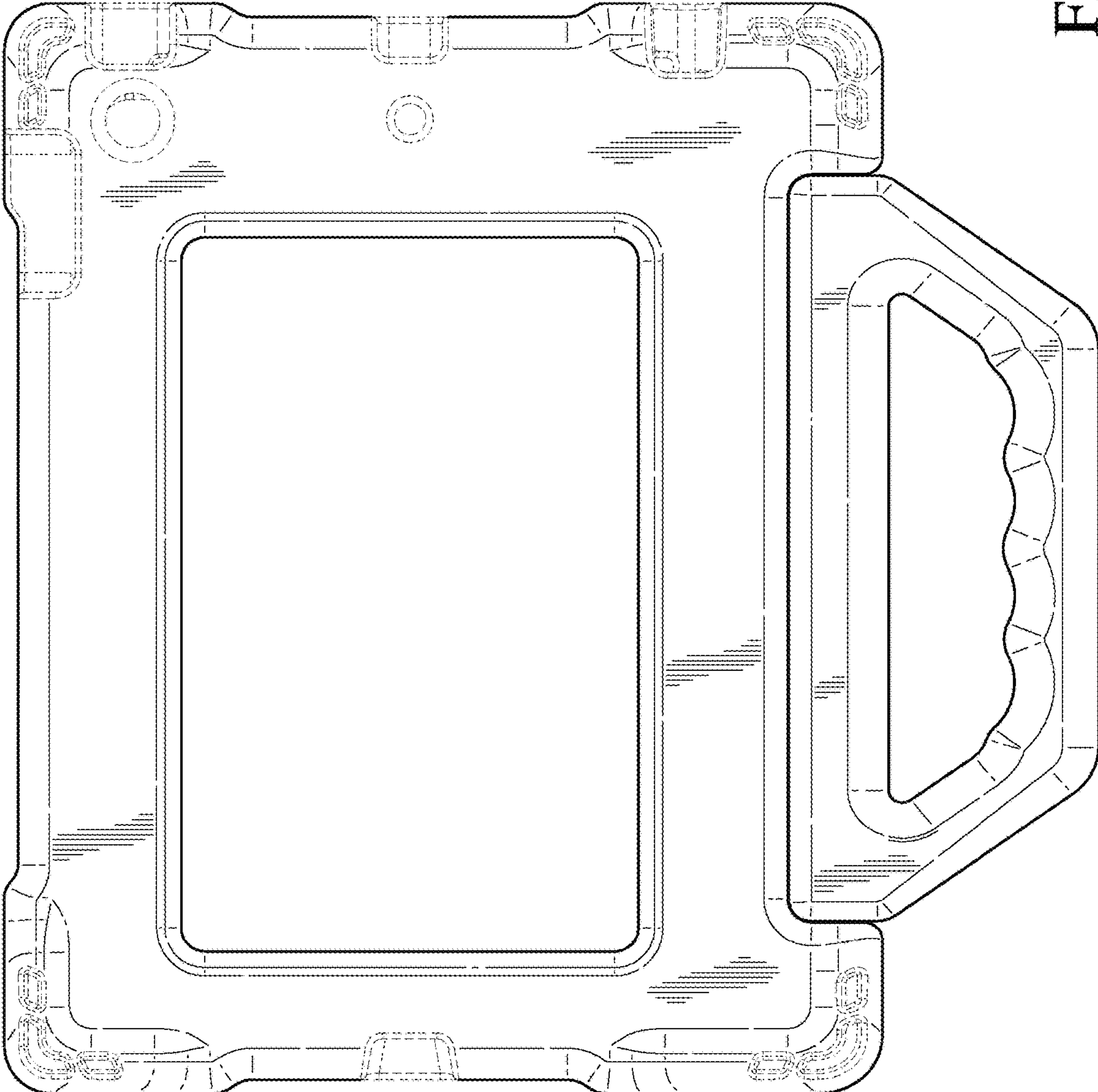


FIG. 3

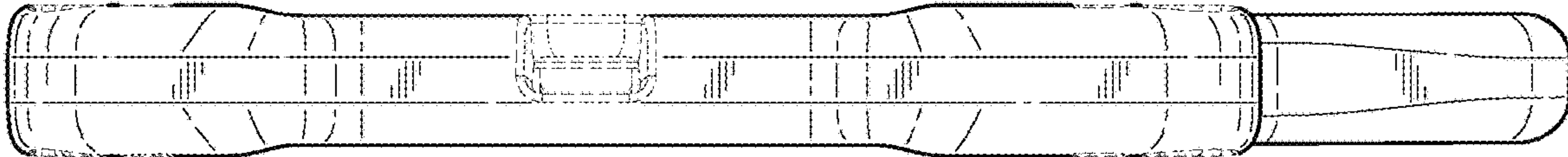


FIG. 4

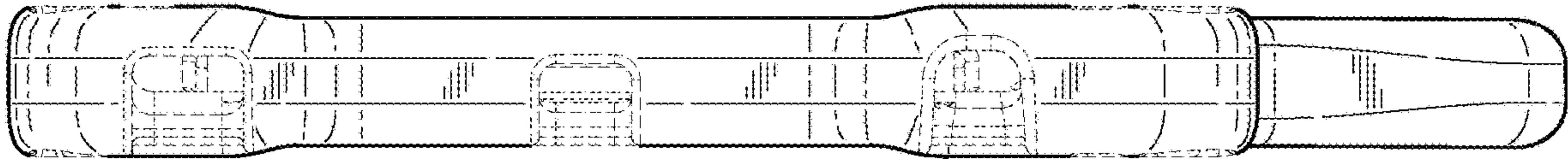


FIG. 5

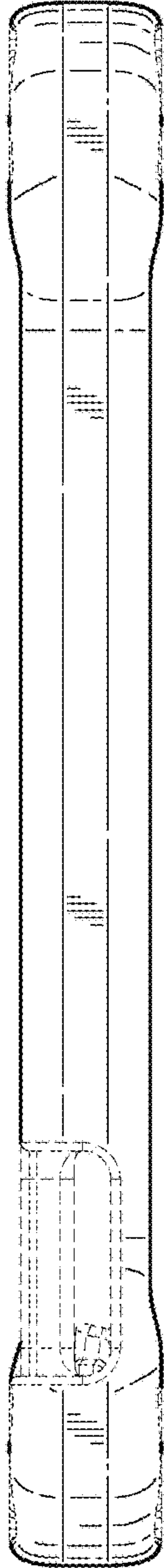


FIG. 6

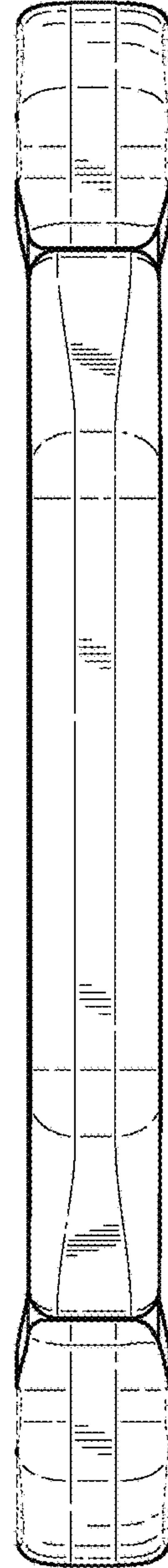


FIG. 7