



US00D852199S

(12) **United States Design Patent**
Kim et al.

(10) **Patent No.:** **US D852,199 S**
(45) **Date of Patent:** **** Jun. 25, 2019**

(54) **CASE FOR PORTABLE ELECTRONIC
COMPUTING DEVICE INCLUDING
KEYBOARD**

(71) Applicant: **Pioneer Square Brands, Inc.**, Seattle,
WA (US)

(72) Inventors: **Michael Heecheol Kim**, Seattle, WA
(US); **Michael Cooper Ferren**, Camus,
WA (US); **Jaimie Emerald Chan**,
Renton, WA (US)

(73) Assignee: **PIONEER SQUARE BRANDS, INC.**,
McLean, VA (US)

(**) Term: **15 Years**

(21) Appl. No.: **29/676,129**

(22) Filed: **Jan. 8, 2019**

(51) **LOC (11) Cl.** **14-02**

(52) **U.S. Cl.**
USPC **D14/440**

(58) **Field of Classification Search**
USPC D14/440, 447, 250; 206/45.23, 320,
206/45.2; 361/679.55; 294/25; 224/218
CPC ... G06F 1/1628; G06F 1/1626; A47B 23/044;
H04B 1/3888
See application file for complete search history.

(56) **References Cited**

U.S. PATENT DOCUMENTS

- 2,528,695 A * 11/1950 King B42F 9/00
281/45
- D366,146 S * 1/1996 Bertrand D19/78
- D385,299 S * 10/1997 Adams D14/342
- 5,769,213 A * 6/1998 Chatterton A45C 1/06
15/435
- D410,951 S * 6/1999 Schwarzwaelder D19/135
- D508,954 S * 8/2005 Cetera D19/65
- D522,583 S * 6/2006 Goserud D19/78

- D645,505 S * 9/2011 Melnick D19/2
- D675,627 S 2/2013 Rouser
- D676,499 S 2/2013 Probst et al.
- D706,272 S 6/2014 Poon
- D724,093 S 3/2015 Dong
- D721,370 S 6/2015 Barfoot et al.
- D763,853 S 8/2016 Pearce
- D763,855 S 8/2016 Poon
- D765,085 S * 8/2016 Moore D14/440
- D789,936 S 6/2017 Nyholm
- D791,773 S 7/2017 Moore et al.
- D795,878 S 8/2017 English et al.
- D804,486 S 12/2017 Nyholm et al.
- D806,713 S 1/2018 Wright et al.
- D817,334 S 5/2018 Fenton et al.
- D831,659 S 10/2018 Gao
- D834,582 S 11/2018 Zhuang
- D838,275 S * 1/2019 Nyholm D14/440
- D841,655 S * 2/2019 Xie D14/440

* cited by examiner

Primary Examiner — Cynthia R Underwood

(74) *Attorney, Agent, or Firm* — Grandview Law

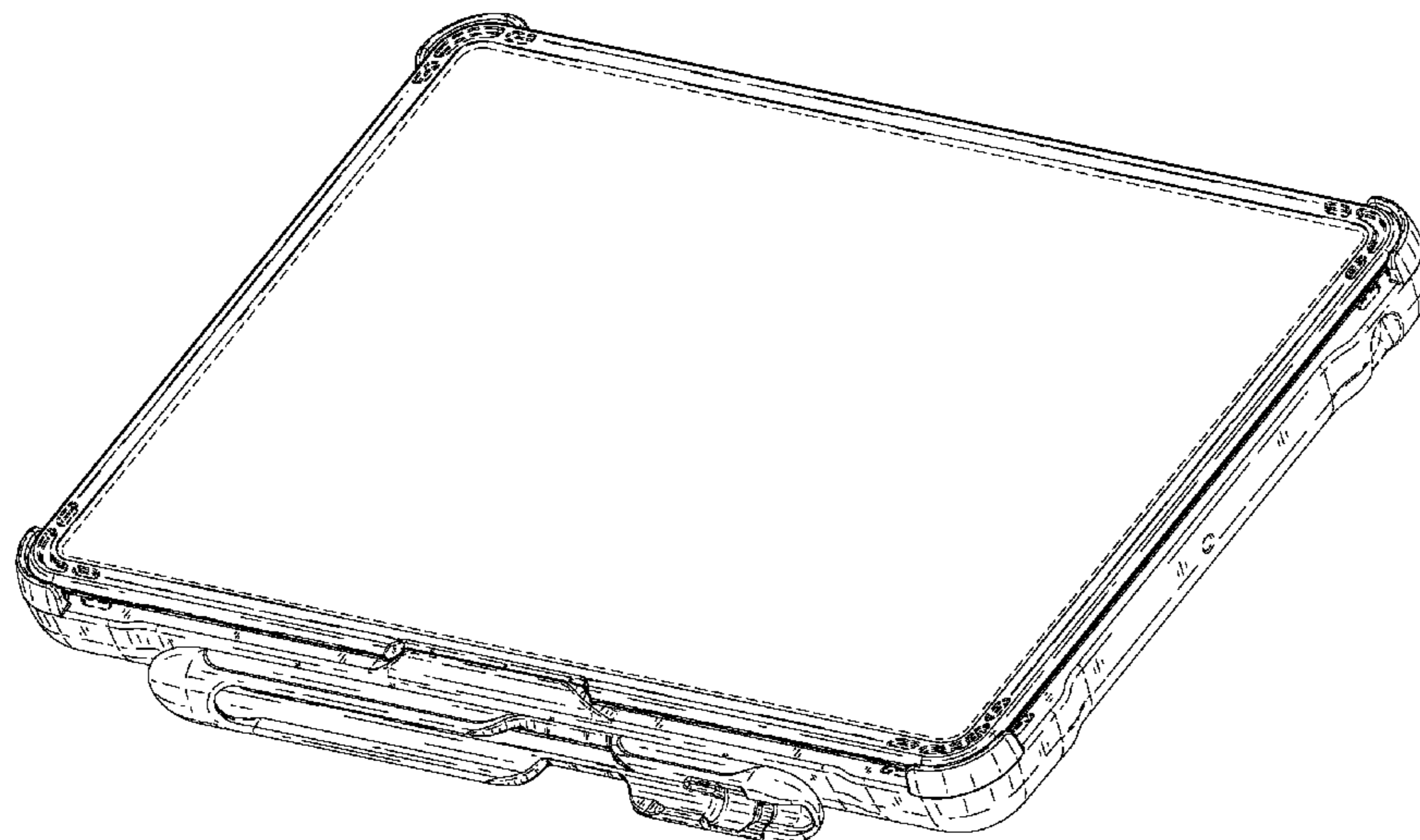
(57) **CLAIM**

The ornamental design for a case for portable electronic computing device including keyboard, as shown and described.

DESCRIPTION

FIG. 1 is a front perspective view of a first embodiment. FIG. 2 is a rear perspective view of a first embodiment. FIG. 3 is a front elevational view thereof. FIG. 4 is a rear elevational view thereof. FIG. 5 is a top elevational view thereof. FIG. 6 is a bottom elevational view thereof. FIG. 7 is a right elevational view thereof; and, FIG. 8 is a left elevational view thereof. The features shown in broken lines in the drawing figures depict features that form no part of the claimed design.

1 Claim, 6 Drawing Sheets



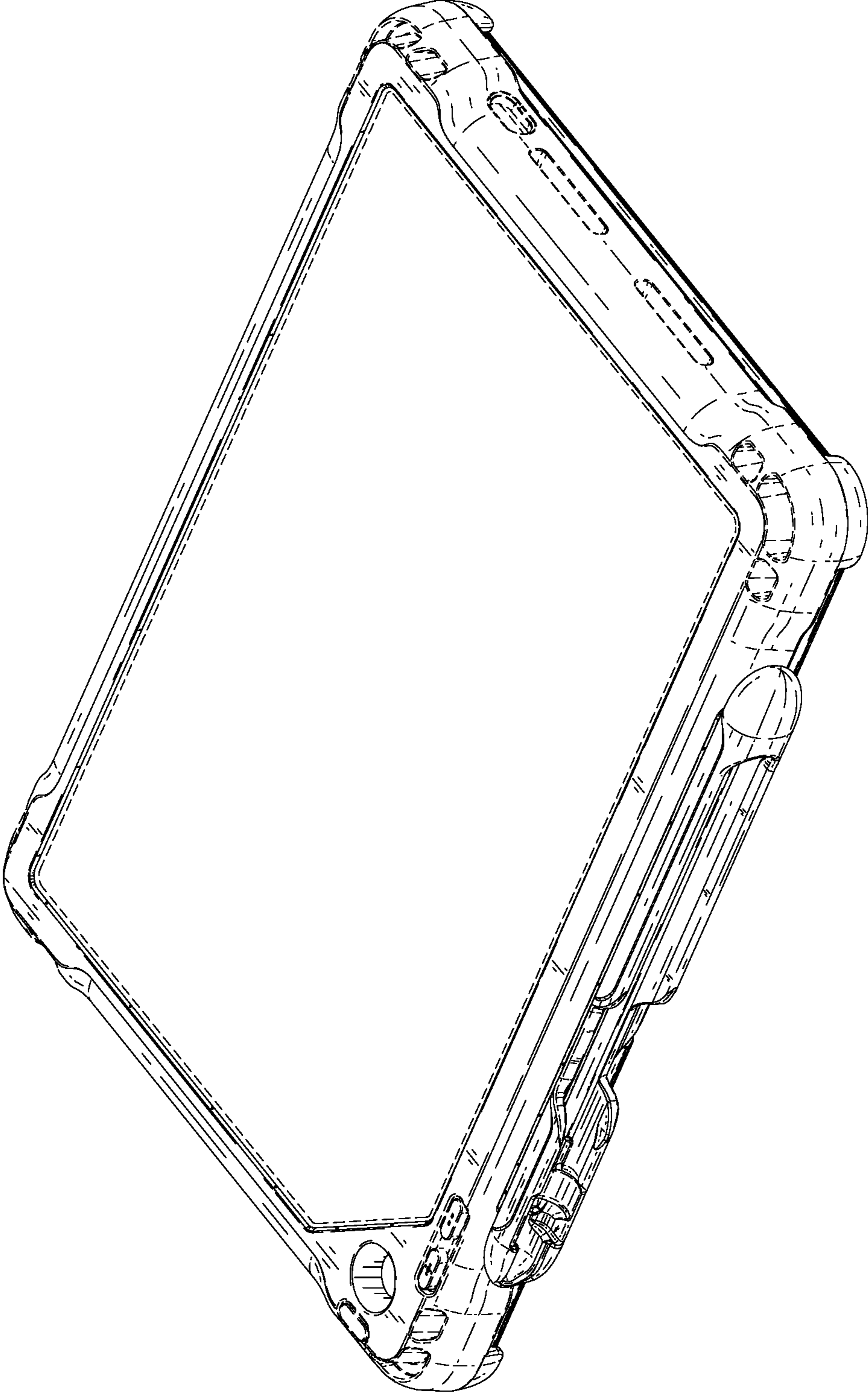


FIG. 1

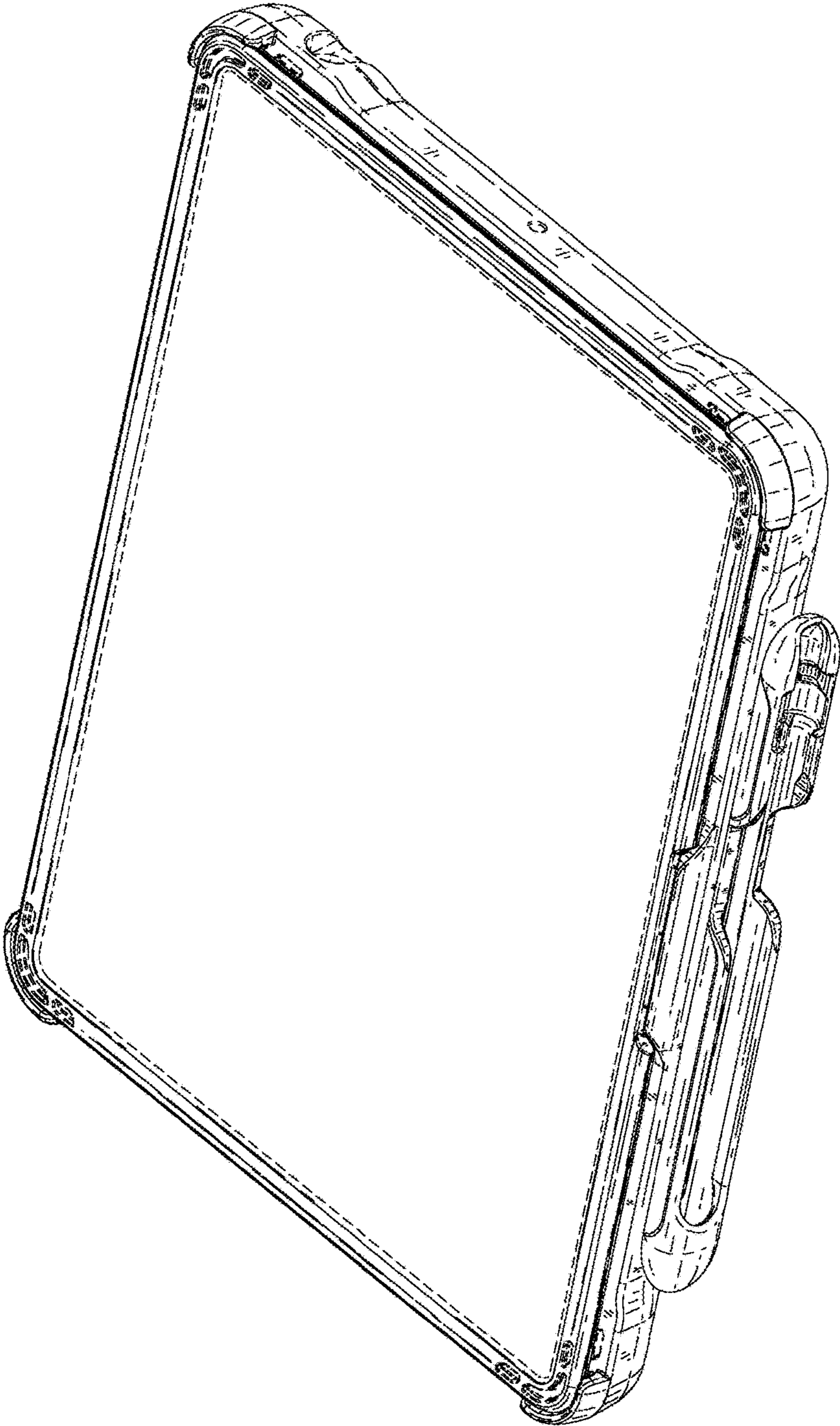


FIG. 2

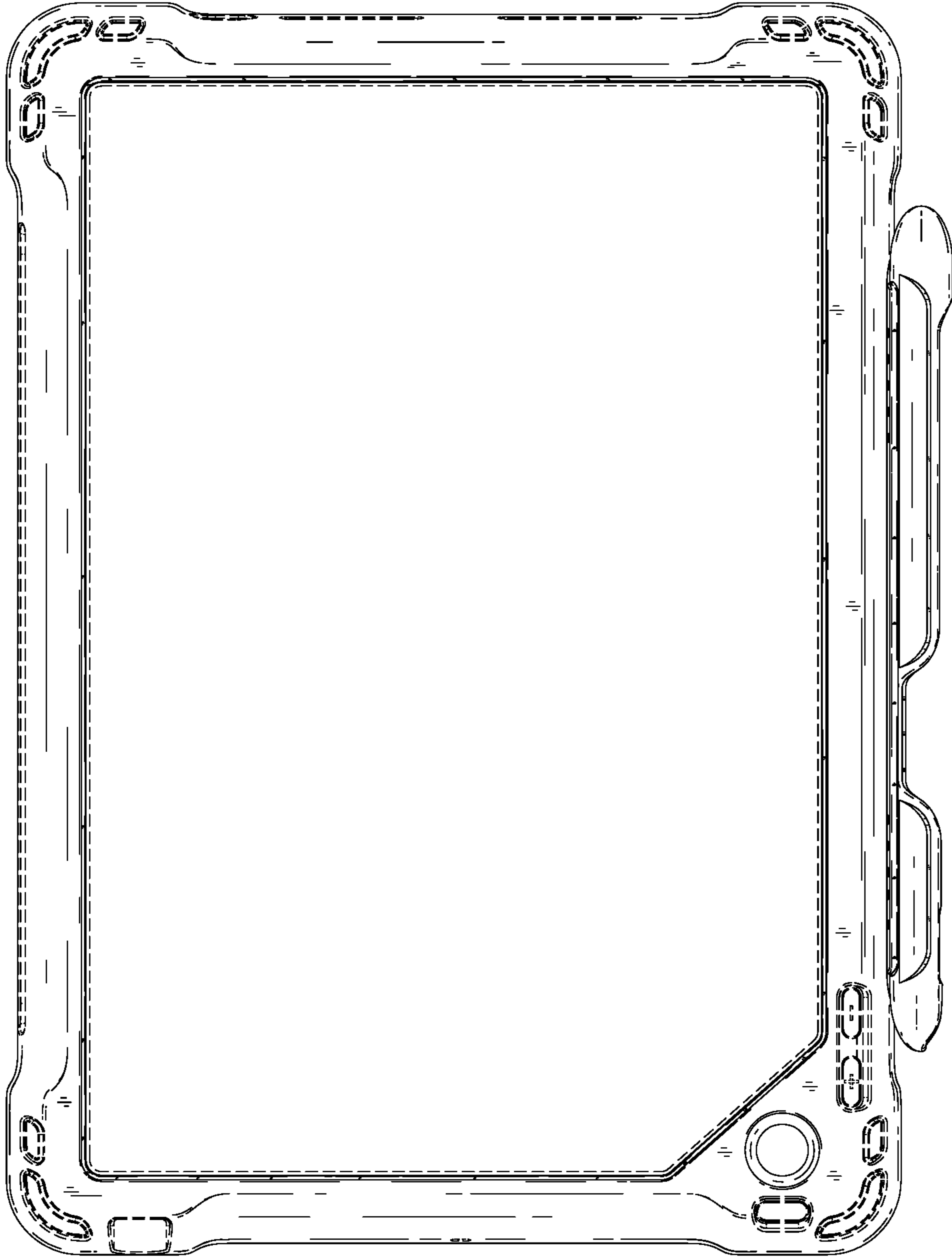


FIG. 3

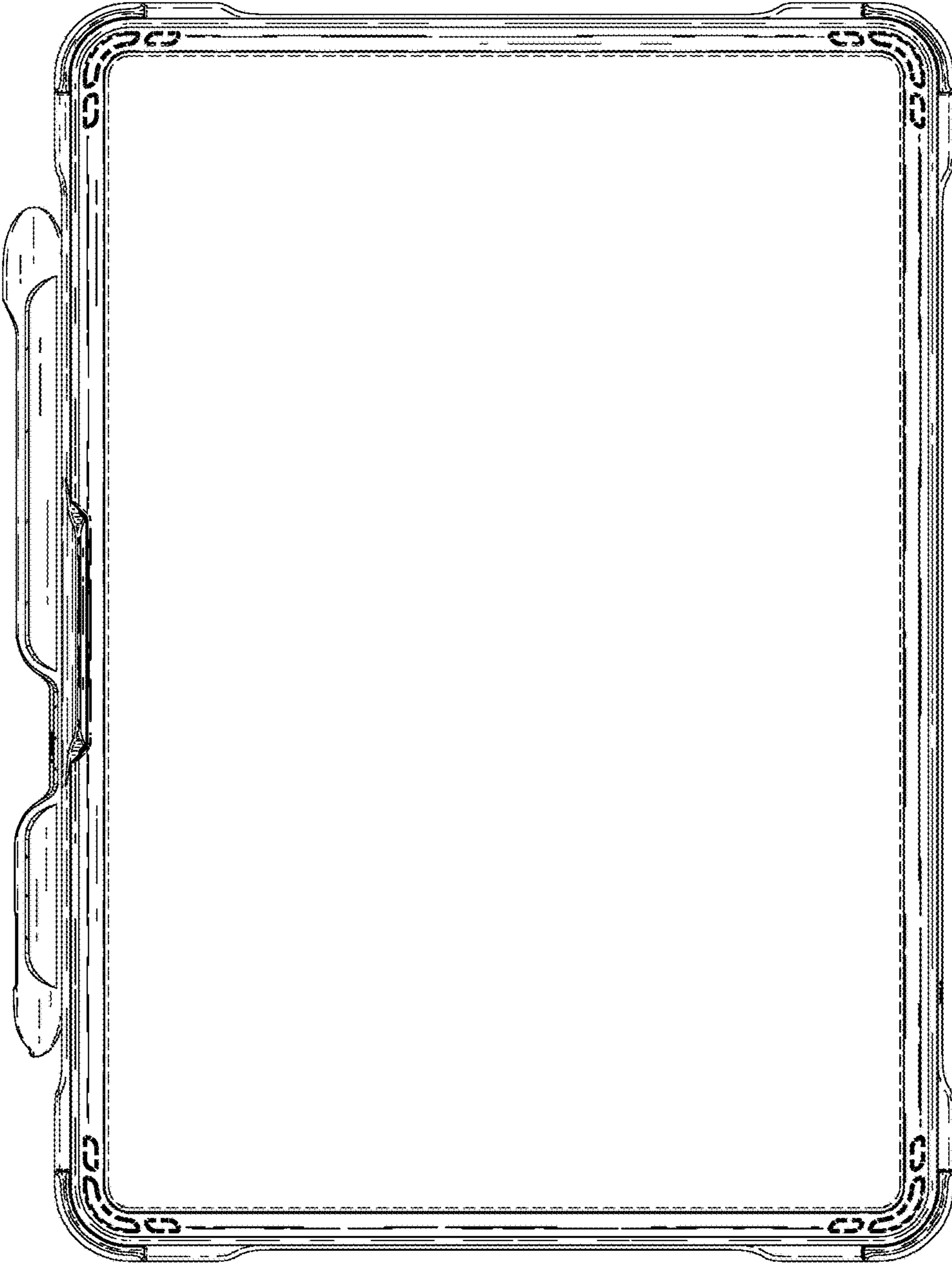


FIG. 4

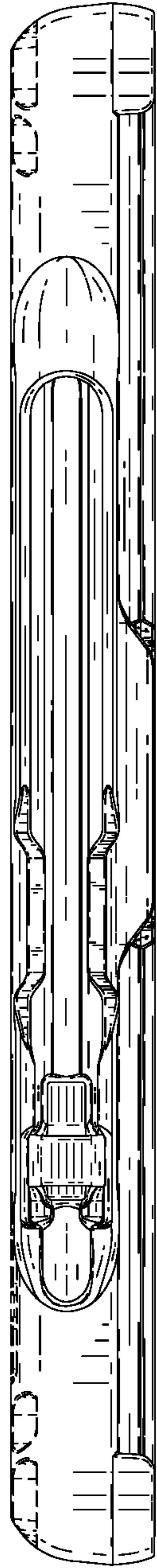


FIG. 5

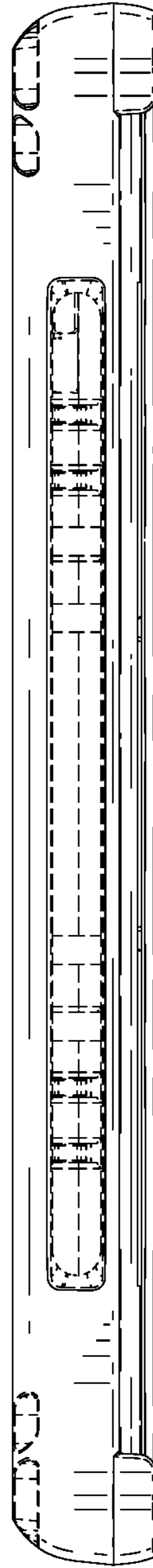


FIG. 6

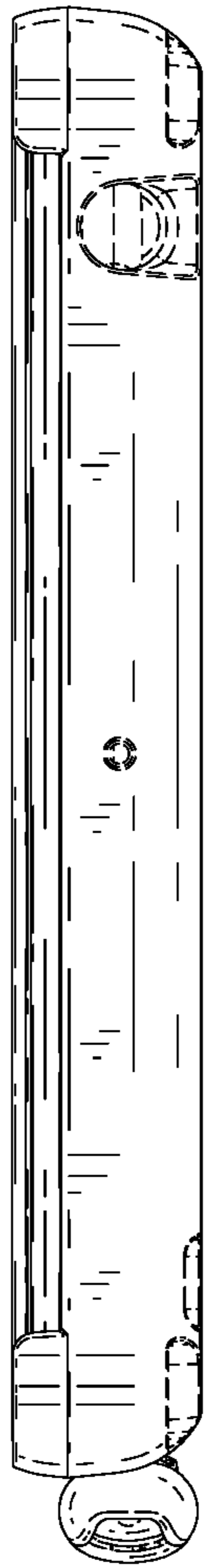


FIG. 7

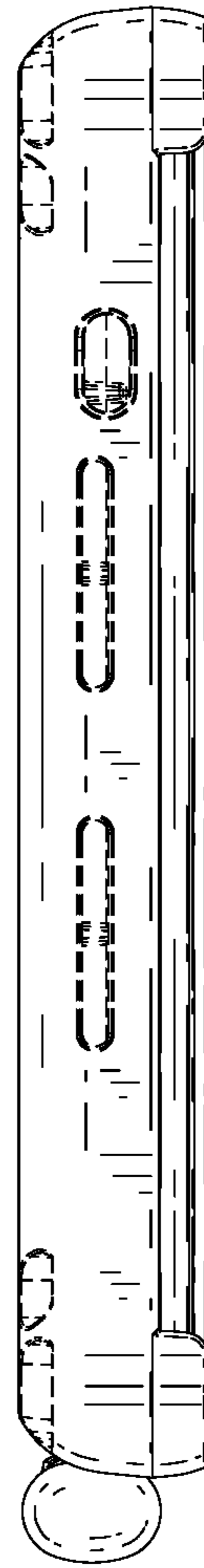


FIG. 8