



US00D852192S

(12) **United States Design Patent**
Mitchell

(10) **Patent No.:** **US D852,192 S**
(45) **Date of Patent:** **** Jun. 25, 2019**

(54) **COORDINATE INPUT DEVICE**

(71) Applicant: **Wacom Co., Ltd.**, Kazo-shi, Saitama (JP)

(72) Inventor: **Giles Thomas Mitchell**, Setagaya-ku (JP)

(73) Assignee: **Wacom Co., Ltd.**, Kazo-shi (JP)

(**) Term: **15 Years**

(21) Appl. No.: **29/635,846**

(22) Filed: **Feb. 2, 2018**

(30) **Foreign Application Priority Data**

Aug. 2, 2017 (JP) 2017-016703

Aug. 2, 2017 (JP) 2017-016704

(51) **LOC (11) Cl.** **14-02**

(52) **U.S. Cl.**

USPC **D14/389**; D14/454

(58) **Field of Classification Search**

USPC D14/388, 389, 390, 318, 341, 342, 346,
D14/356, 130, 217, 218, 454, 455, 299,
D14/371, 374, 378, 496, 432, 434, 457,
D14/458, 375, 376, 336, 338, 339, 383,
D14/385; D21/324, 329, 333; D13/158,
D13/162, 162.1, 164, 168, 169, 170, 173,
D13/174, 177; D10/46, 49, 50, 51, 75,
D10/80, 103; D19/23, 101, 102, 105,
D19/135, 75, 77, 78, 88, 92

CPC G06F 3/041; G06F 3/0412; G06F 3/0414;
G06F 3/0416; G06F 3/044; G06F 3/048;
G06F 3/484; G06F 3/488; G06F 3/4883;
G06F 3/03545; G06F 2203/0338; G06F
1/1669; G06F 1/1643; G06F 1/166

See application file for complete search history.

(56) **References Cited**

U.S. PATENT DOCUMENTS

D251,496 S * 4/1979 Frelander D19/78

D283,404 S * 4/1986 Heiler D10/46

D346,591 S * 5/1994 Lee D14/342
D395,639 S * 6/1998 Ham D14/389
D425,538 S * 5/2000 Akaike 40/362
D452,695 S * 1/2002 Miller D13/164
D454,870 S * 3/2002 Lee D14/341
D461,802 S * 8/2002 Tu D14/341
D503,402 S * 3/2005 Su D14/388

(Continued)

FOREIGN PATENT DOCUMENTS

JP D1267831 S 4/2006
KR D3009049120000 S 4/2017

OTHER PUBLICATIONS

Coordinate input. (Design—© Questel) orbit.com.[online PDF] 11 pgs. Print Date Sep. 28, 2018. [Retrieved on Oct. 22, 2018] <https://sobjprd.questel.fr/export/QPTUJ214/pdf2/276156c6-27dc-421b-8ded-01887c76f059-011137.pdf>.*

Primary Examiner — Marie D. Fast Horse

(74) *Attorney, Agent, or Firm* — Christensen O'Connor Johnson Kindness PLLC

(57) **CLAIM**

The ornamental design for a coordinate input device, as shown and described.

DESCRIPTION

FIG. 1 is a front-bottom-right perspective view of a coordinate input device showing a first embodiment my new design;

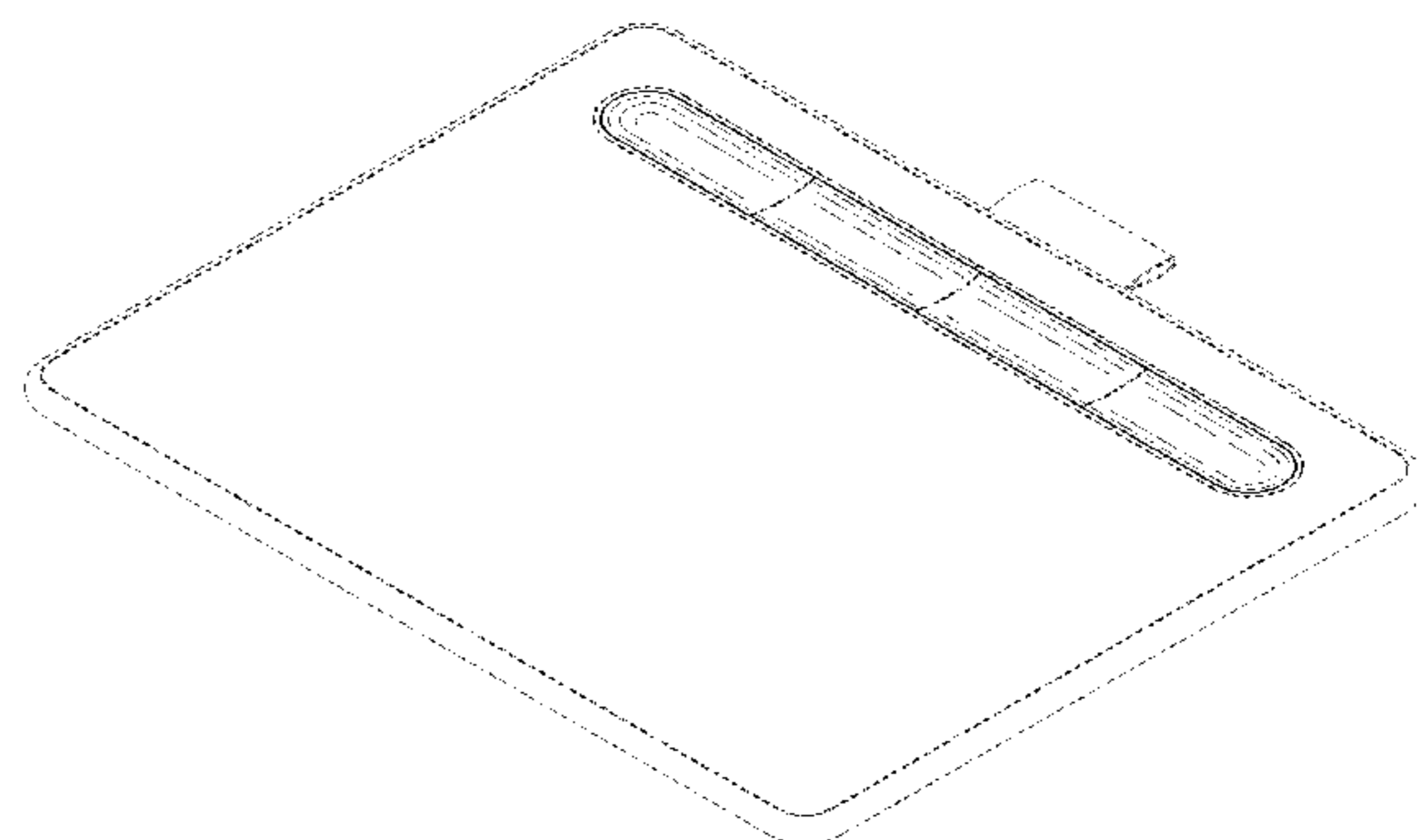
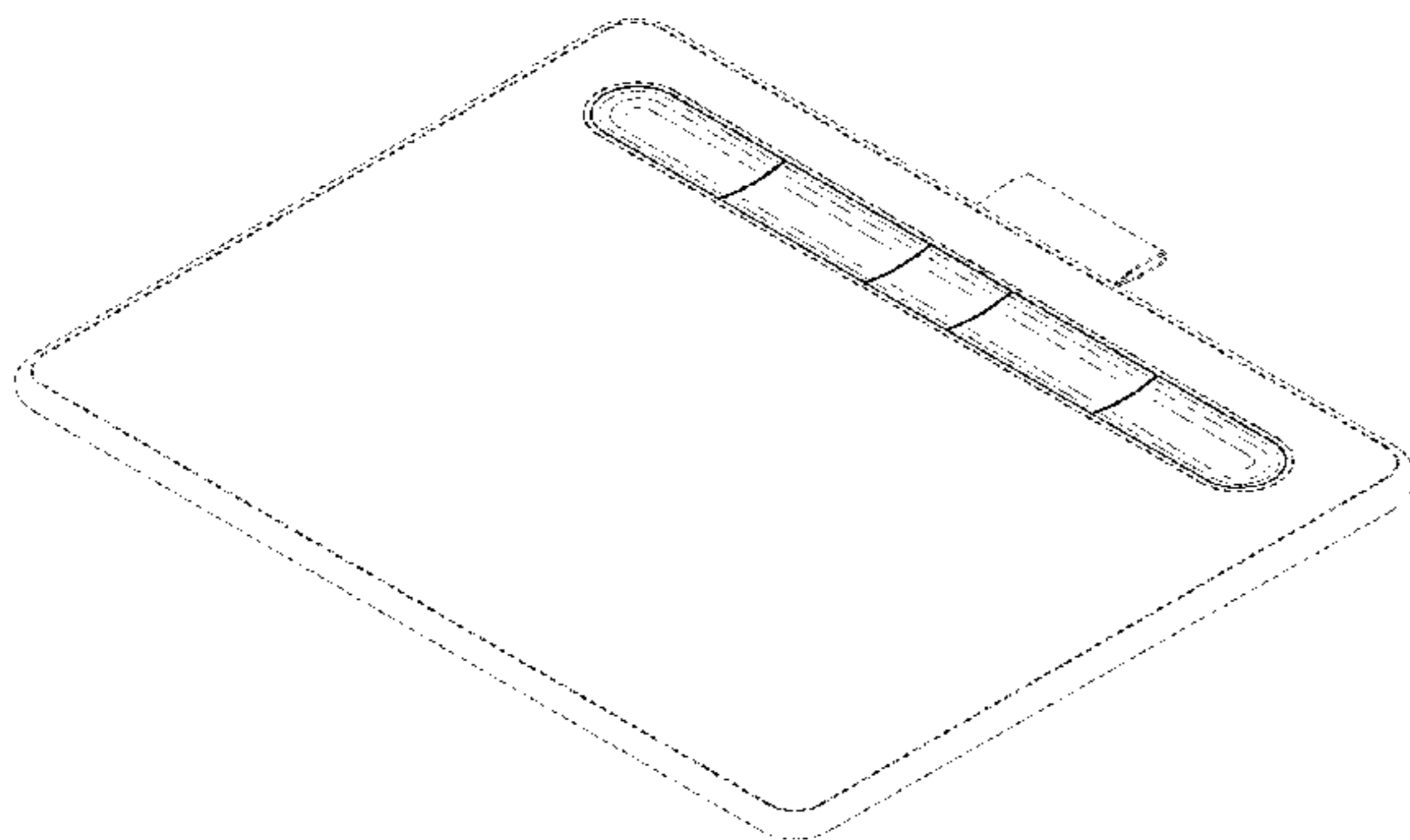
FIG. 2 is a front elevation view thereof;

FIG. 3 is a front-bottom-right perspective view of a coordinate input device showing a second embodiment my new design; and,

FIG. 4 is a front elevation view thereof.

The dashed broken lines in the drawings show portions of the coordinate input device that form no part of the claimed design.

1 Claim, 2 Drawing Sheets



(56)

References Cited

U.S. PATENT DOCUMENTS

D528,991 S * 9/2006 Katsuyama D13/168
 D534,215 S * 12/2006 Nakata D19/113
 D537,120 S * 2/2007 Mandel D19/88
 D541,800 S * 5/2007 Ponnert D14/388
 D543,174 S * 5/2007 Kim D14/138 AD
 D559,197 S * 1/2008 Lim D13/162
 D572,208 S * 7/2008 Mayo D13/170
 D572,667 S * 7/2008 Mayo D13/170
 D574,436 S * 8/2008 Mandel D19/92
 D624,882 S * 10/2010 Altonen D13/171
 D631,880 S * 2/2011 Hirota D14/383
 D638,014 S * 5/2011 Chong D14/336
 D638,421 S * 5/2011 Tsai D14/346
 D638,806 S * 5/2011 Kim D13/168
 D639,804 S * 6/2011 Hwang D14/341
 D640,992 S * 7/2011 Margolin D13/162
 D645,001 S * 9/2011 Margolin D13/162
 D648,722 S * 11/2011 Meyerhoffer D14/341
 D658,591 S * 5/2012 Margolin D13/162
 8,350,813 B2 * 1/2013 Sato G06F 3/041
 178/18.01
 D690,696 S * 10/2013 Jonsson D14/390
 D690,697 S * 10/2013 Jonsson D14/390
 D690,698 S * 10/2013 Jonsson D14/390
 D694,211 S * 11/2013 Yuu D14/341

D701,570 S * 3/2014 Fletcher D19/113
 D702,235 S * 4/2014 Jonsson D14/390
 D709,055 S * 7/2014 Cho D14/247
 D717,774 S * 11/2014 Fathollahi D14/250
 D718,308 S * 11/2014 Nishizawa D14/389
 D722,055 S * 2/2015 Jonsson D14/389
 D732,526 S * 6/2015 Ferren D14/341
 D732,533 S * 6/2015 Hirota D14/389
 D735,717 S * 8/2015 Lam D14/341
 D739,399 S * 9/2015 Adamson D14/318
 D739,400 S * 9/2015 Adamson D14/318
 D744,484 S 12/2015 Huebner
 D746,279 S * 12/2015 Bajwa D14/341
 D746,280 S * 12/2015 Bajwa D14/341
 D763,205 S * 8/2016 Kashimoto D13/168
 D766,240 S * 9/2016 Le Rouzo D14/389
 D766,892 S * 9/2016 Bajwa D14/341
 D767,553 S * 9/2016 Fathollahi D14/250
 D773,456 S 12/2016 Mitchell
 D782,471 S * 3/2017 Nuk D14/341
 D795,217 S * 8/2017 Akana D14/203.7
 D810,745 S * 2/2018 Luo D14/389
 D812,050 S * 3/2018 Mitchell D14/341
 D818,465 S * 5/2018 Mitchell D14/341
 D824,383 S * 7/2018 Wall D14/341
 D827,455 S * 9/2018 Farenski D10/50
 D827,646 S * 9/2018 Mitchell D14/389

* cited by examiner

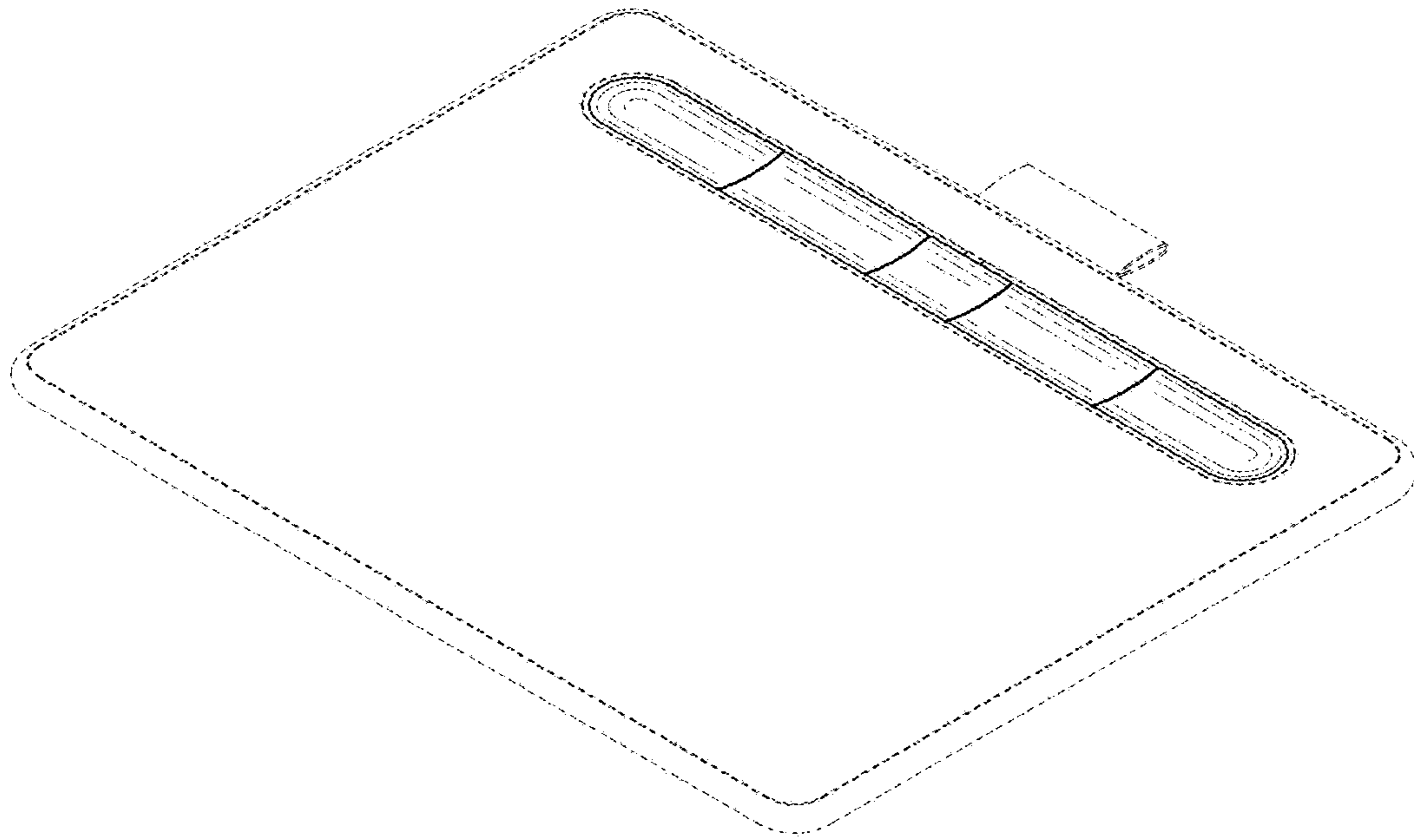


FIG. 1

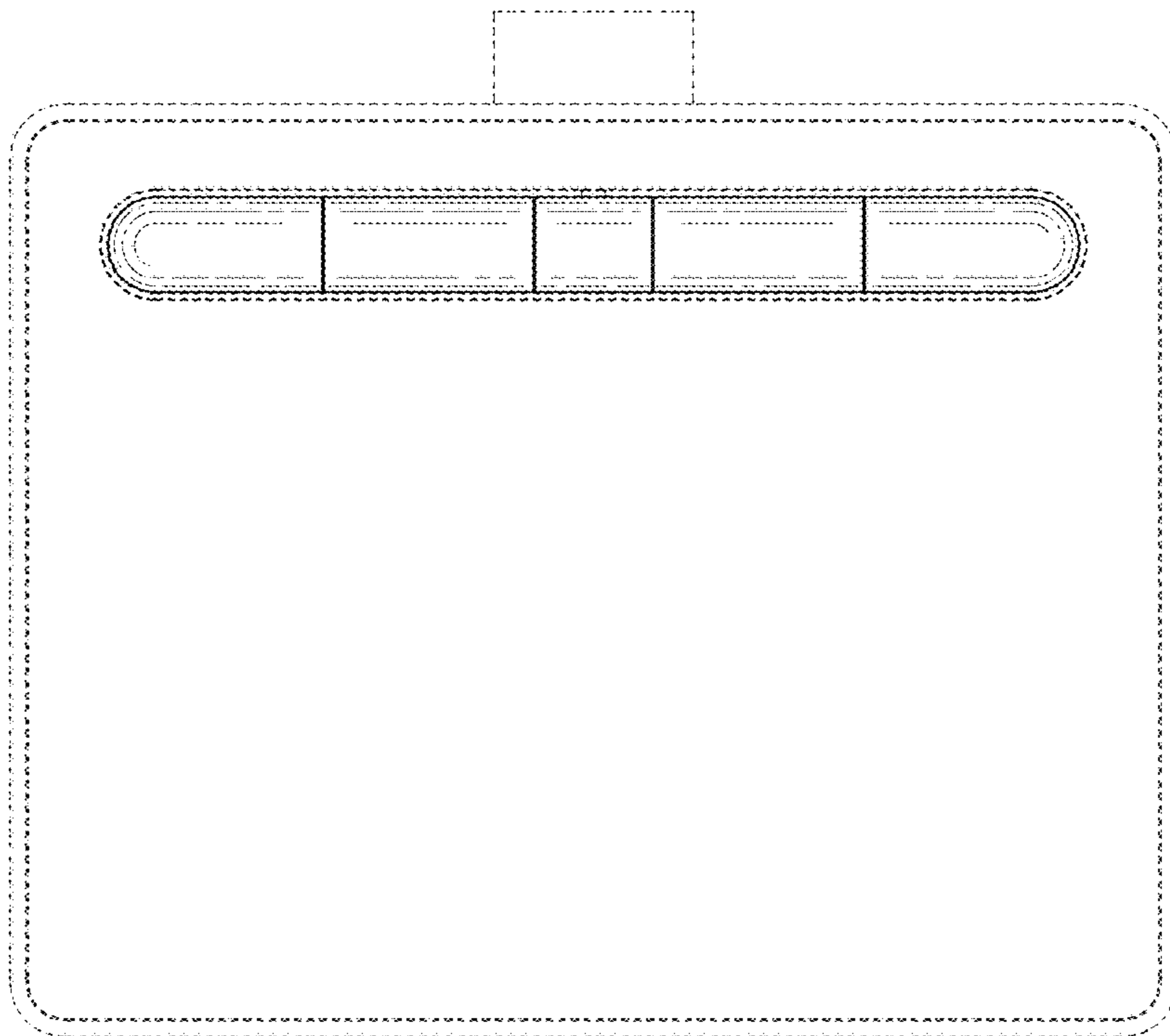


FIG. 2

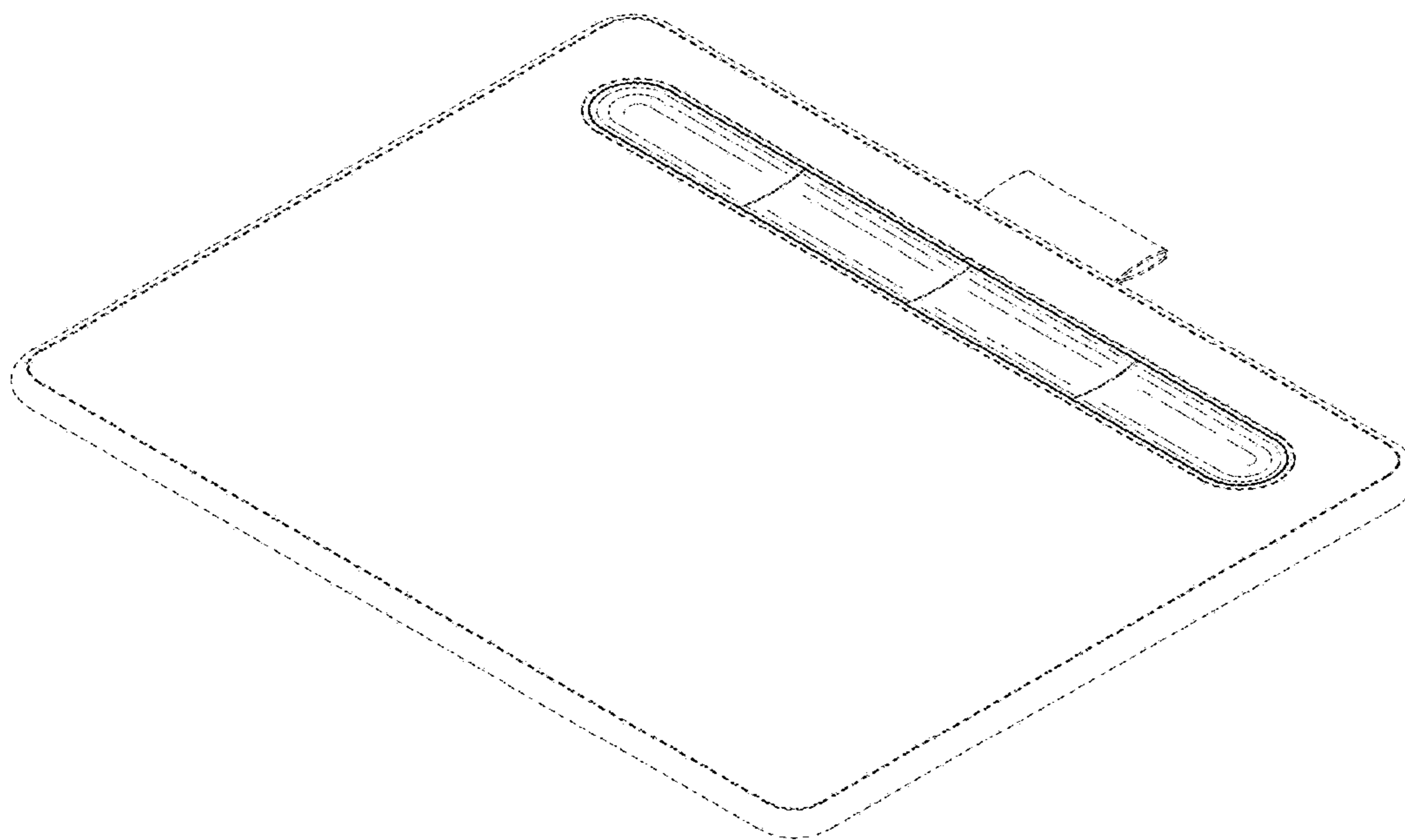


FIG. 3

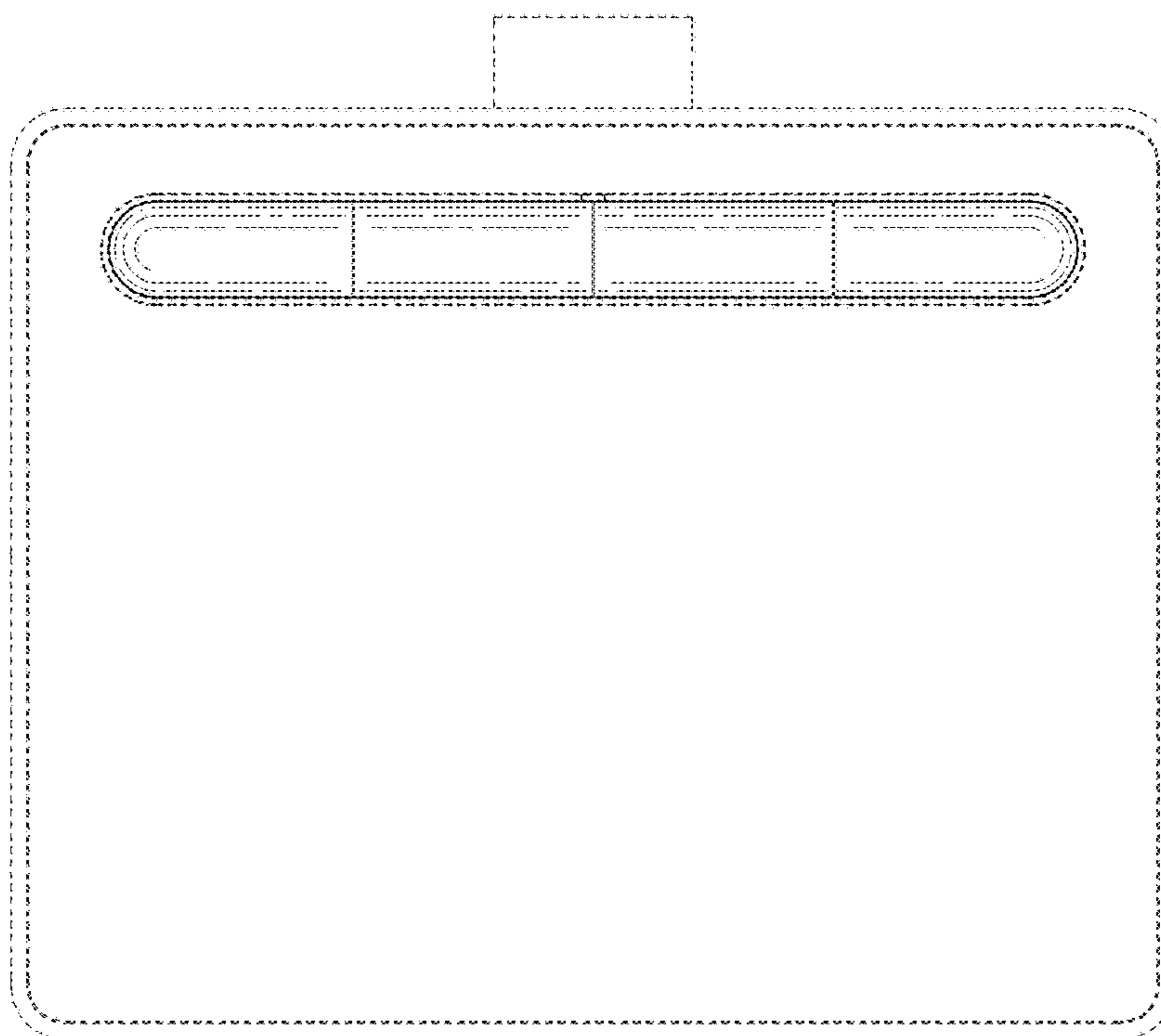


FIG. 4