



US00D852189S

(12) **United States Design Patent**
Carr

(10) **Patent No.:** **US D852,189 S**
(45) **Date of Patent:** **** Jun. 25, 2019**

(54) **DASHBOARD TRIM BEZEL FOR A TOUCHSCREEN RADIO AND HEATER/AC**

(71) Applicant: **Jesse Carr**, Milford, NH (US)

(72) Inventor: **Jesse Carr**, Milford, NH (US)

(**) Term: **15 Years**

(21) Appl. No.: **29/646,236**

(22) Filed: **May 2, 2018**

(51) **LOC (11) Cl.** **14-03**

(52) **U.S. Cl.**
USPC **D14/258**; D12/192

(58) **Field of Classification Search**
USPC D12/414, 415, 416, 417, 418, 419, 420, D12/195, 422, 421, 424, 425, 426, 190, D12/192, 191, 106, 345, 96, 99, 400; D14/496, 498-506, 154, 157, 168-171, D14/188-198, 257-258; 248/27.1, 27.3, 248/558; 455/347, 350
CPC .. B60R 7/04; B60R 7/08; B60R 11/02; B60K 37/04; B60K 37/06; H04B 1/08; H04B 1/082
See application file for complete search history.

(56) **References Cited**

U.S. PATENT DOCUMENTS

D418,838 S 1/2000 Jones, Jr. et al.
D482,023 S * 11/2003 Quilling, II D14/258
6,651,936 B2 11/2003 Upton et al.

(Continued)

FOREIGN PATENT DOCUMENTS

CN 207690666 * 8/2018 H01H 9/02

OTHER PUBLICATIONS

Original Car Vw Touran Instrument Dashboard Frame Central Decoration Box Cd Radio Navigation Panel Dash Trim Bezel,

Solidrop.net, [online], [site visited Feb. 28, 2019]. <URL: https://www.solidrop.net/product/original-car-vw-touran-instrument-dashboard-frame-central-decoration-box-cd- (Year: 2019).*

(Continued)

Primary Examiner — T Chase Nelson

Assistant Examiner — Jonathan J. Han

(74) *Attorney, Agent, or Firm* — Russ Weinzimmer & Associates, P.C.

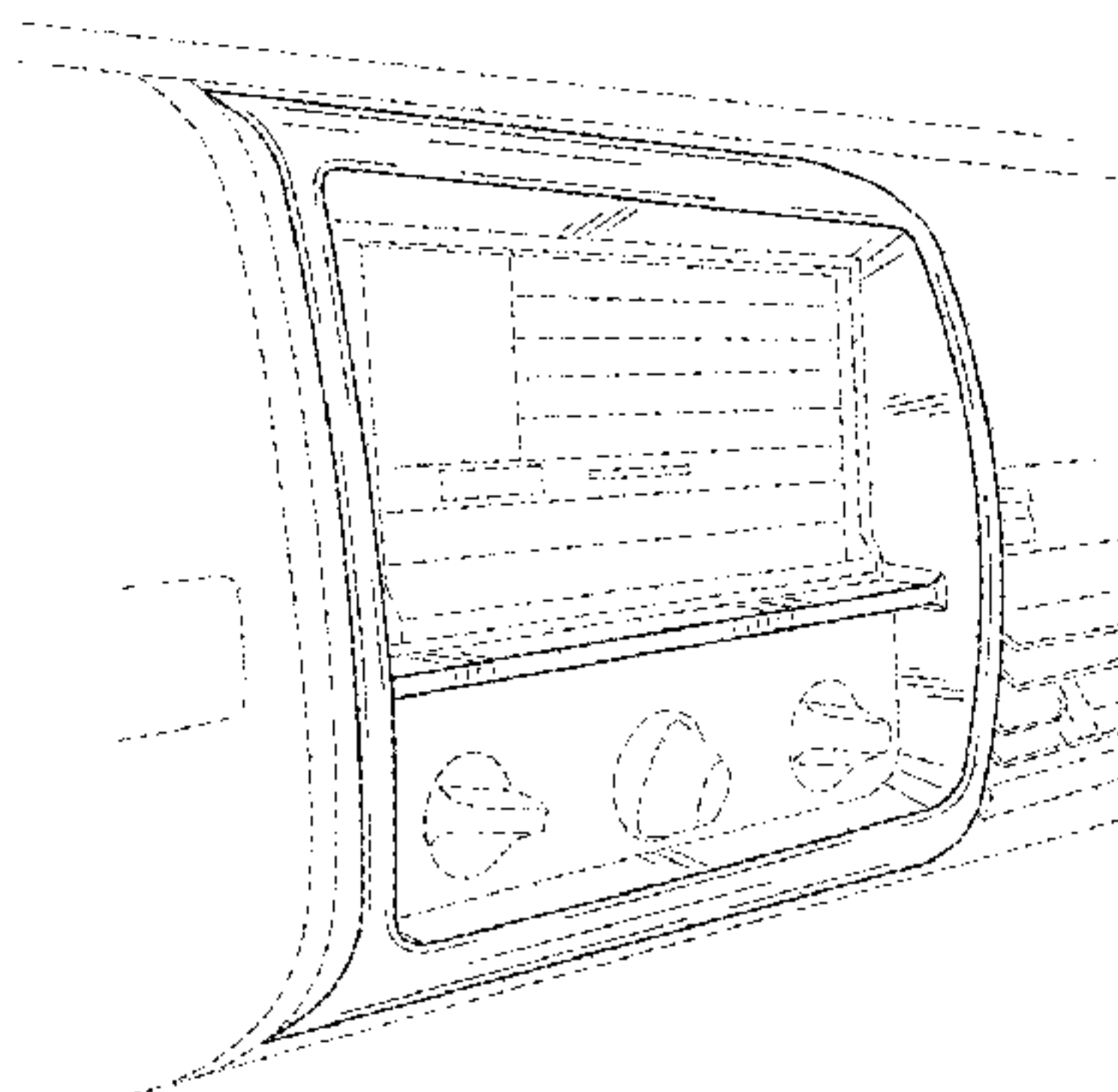
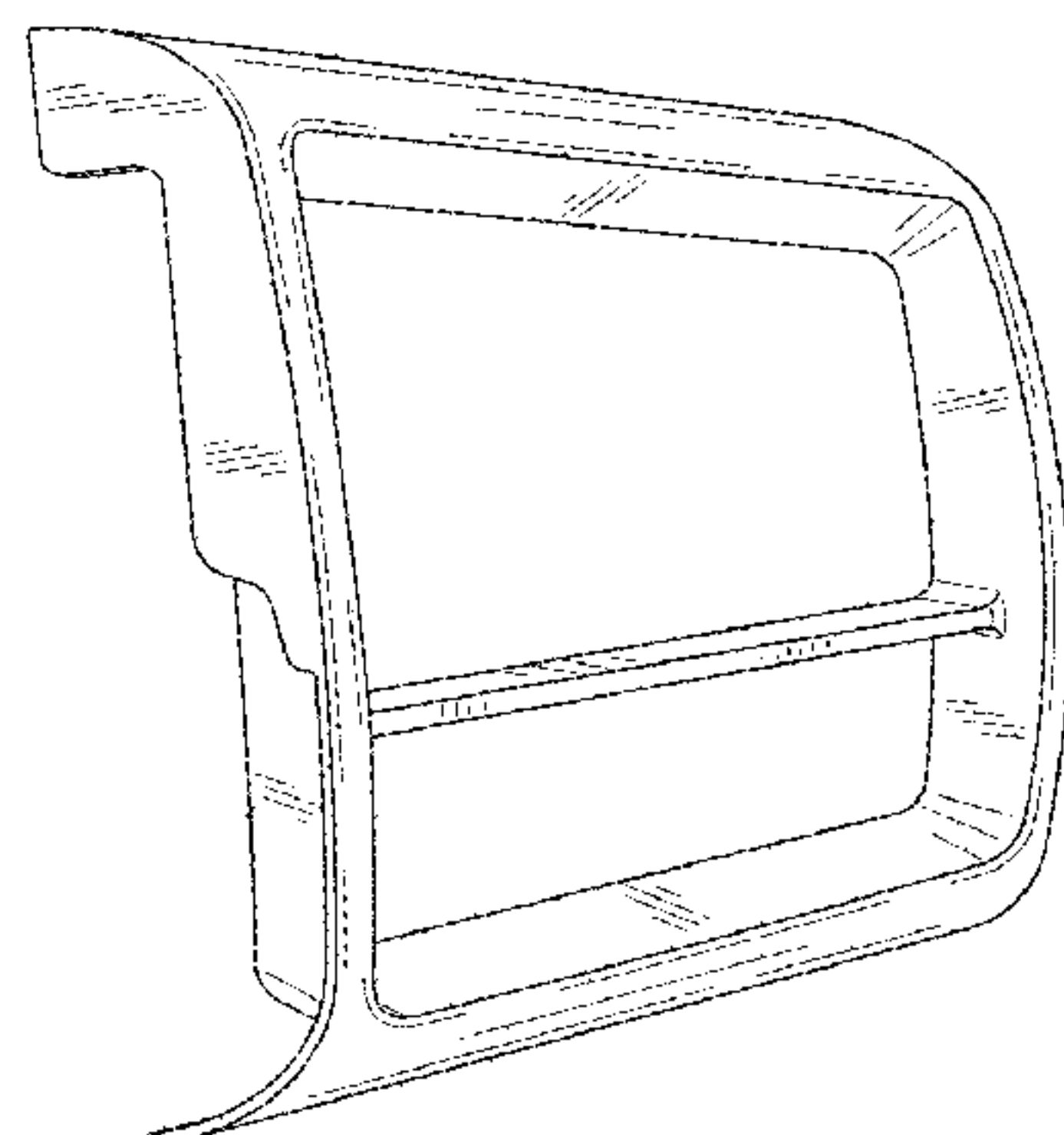
(57) **CLAIM**

The ornamental design for a dashboard trim bezel for a touchscreen radio and heater/AC. As shown and described.

DESCRIPTION

FIG. 1 is a left front perspective view of a dashboard trim bezel for a touchscreen radio and heater/AC, showing my new design;
FIG. 2 is a front view of the dashboard trim bezel for a touchscreen radio and heater/AC;
FIG. 3 is a rear view of the dashboard trim bezel for a touchscreen radio and heater/AC;
FIG. 4 is a top view of the dashboard trim bezel for a touchscreen radio and heater/AC;
FIG. 5 is a bottom view of the dashboard trim bezel for a touchscreen radio and heater/AC;
FIG. 6 is a left side view of the dashboard trim bezel for a touchscreen radio and heater/AC;
FIG. 7 is a right side view of the dashboard trim bezel for a touchscreen radio and heater/AC; and,
FIG. 8 is a left front perspective view of a dashboard trim bezel for a touchscreen radio and heater/AC, showing the dashboard trim bezel for a touchscreen radio and heater/AC surrounding a touchscreen radio and heater/AC (shown in broken lines) in a truck dashboard (shown in broken lines). The broken lines used to show the truck dashboard, touchscreen radio, the heater/AC, and unclaimed portions on the back of the invention are for illustrative purposes only, and form no part of the claimed design.

1 Claim, 6 Drawing Sheets



(56)

References Cited

U.S. PATENT DOCUMENTS

D492,668 S 7/2004 Quilling, II
 D496,028 S * 9/2004 Quilling, II D14/224
 D501,852 S * 2/2005 Quilling, II D14/244
 D517,061 S * 3/2006 Quilling, II D14/258
 D531,879 S * 11/2006 Quilling, II D14/258
 7,430,110 B2 9/2008 Quilling, II
 D582,912 S * 12/2008 Quilling, II D14/258
 D584,725 S * 1/2009 Fiore, IV D14/258
 D610,580 S * 2/2010 Fiore, IV D14/258
 D611,939 S 3/2010 Quilling, II
 D639,290 S * 6/2011 Fiore, IV D14/258
 D639,795 S * 6/2011 Quilling, II D14/258
 D639,796 S 6/2011 Quilling, II et al.
 D639,797 S * 6/2011 Fiore, IV D14/258
 D639,798 S 6/2011 Fiore, IV et al.
 D702,674 S * 4/2014 Fiore, IV D14/258
 D716,790 S * 11/2014 Fiore, IV D14/258
 D723,537 S * 3/2015 Quilling, II D14/258
 D725,094 S * 3/2015 Fiore, IV D14/258
 D725,095 S * 3/2015 Fiore, IV D14/258
 D725,096 S * 3/2015 Quilling, II D14/258
 D727,888 S * 4/2015 Fiore, IV D14/258
 D733,117 S * 6/2015 Fiore, IV D14/258
 D740,270 S * 10/2015 Fiore, IV D14/258
 D755,776 S * 5/2016 Fiore, IV D14/258
 D755,778 S * 5/2016 Quilling, II D14/258
 D755,779 S * 5/2016 Fiore, IV D14/258

D757,707 S * 5/2016 Quilling, II D14/258
 D757,708 S * 5/2016 Fiore, IV D14/258
 D770,439 S * 11/2016 Fiore, IV D14/258
 D787,401 S * 5/2017 Fiore, IV D12/195
 D788,095 S * 5/2017 Quilling D14/258
 D788,764 S * 6/2017 Fiore, IV D14/258
 D788,766 S * 6/2017 Quilling D14/258
 D791,119 S * 7/2017 Quilling D14/258
 D802,579 S * 11/2017 Wellard D14/258
 D837,782 S * 1/2019 Fiore, IV D14/258

OTHER PUBLICATIONS

2005-2009 Nissan Frontier Center Dash Instrument Panel, Cluster Lid Bezel OEM, Amazon.com, [online], [site visited Feb. 28, 2019]. <URL: <https://www.amazon.com/2005-2009-Nissan-Frontier-Instrument-Cluster/dp/B018J3YQMM>> (Year: 2019).*

06-10 VW Passat B6 Center Dashboard Radio Trim Bezel Silver 3C0 858 069 M, KohlsGermanAuto.com, [online], [site visited Feb. 28, 2019]. <URL: https://www.kohlsgermanauto.com/index.php?route=product/product&product_id=649> (Year: 2019).*

WarriorsArrow Black Dashboard Center Console Bezel Panel Radio Face Trim Frame Surround for VW Passat B5 2001 2005 3B0858069, Dropwow.com, [online], [site visited Feb. 28, 2019]. <URL: <https://dropwow.com/product/1012718>> (Year: 2019).*

YouTube video: <https://youtu.be/85-pw0nQv1l> Published on Feb. 25, 2018 by Jake Graves "Ford OBS Double Din Install".

* cited by examiner

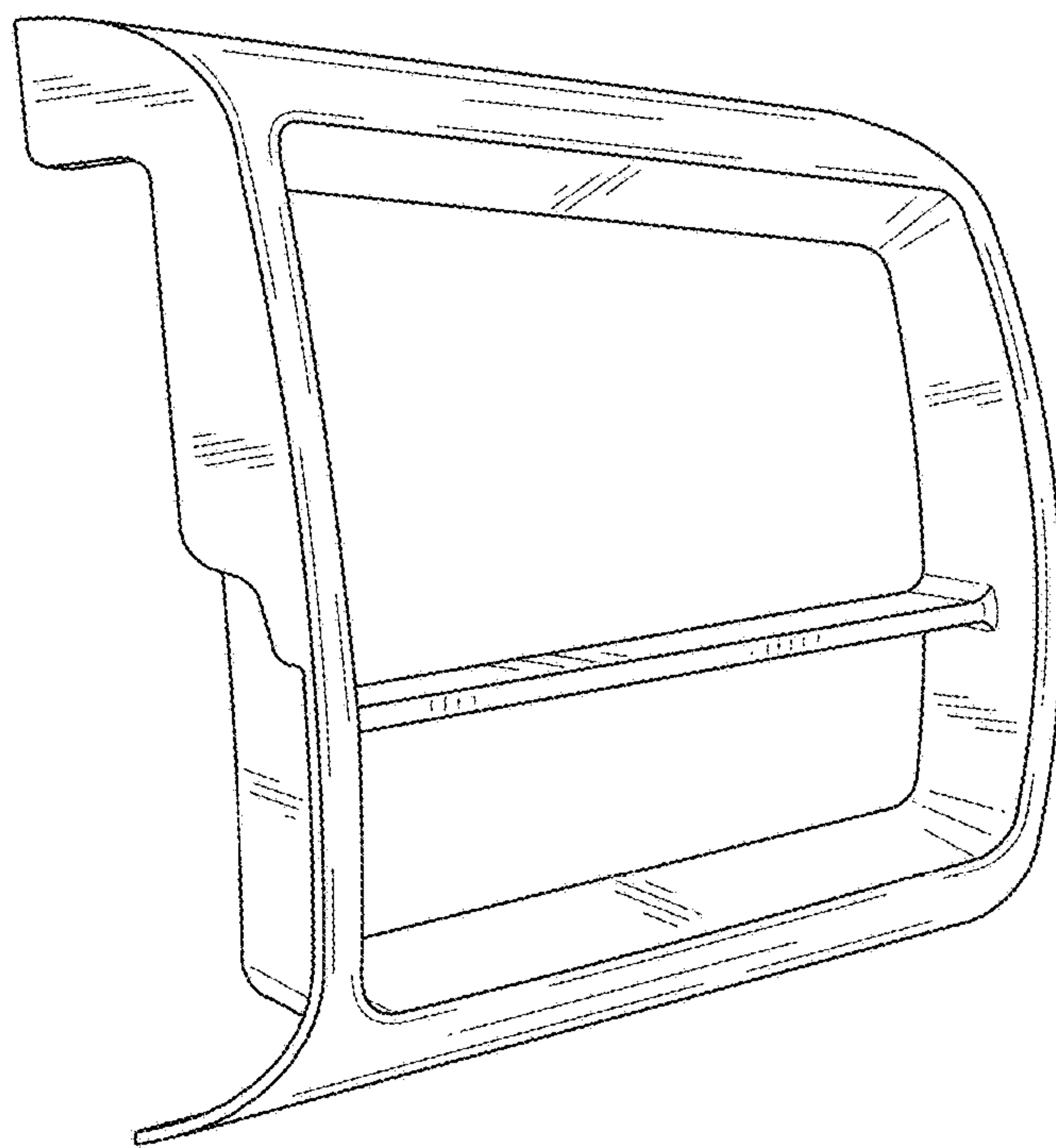


FIG. 1

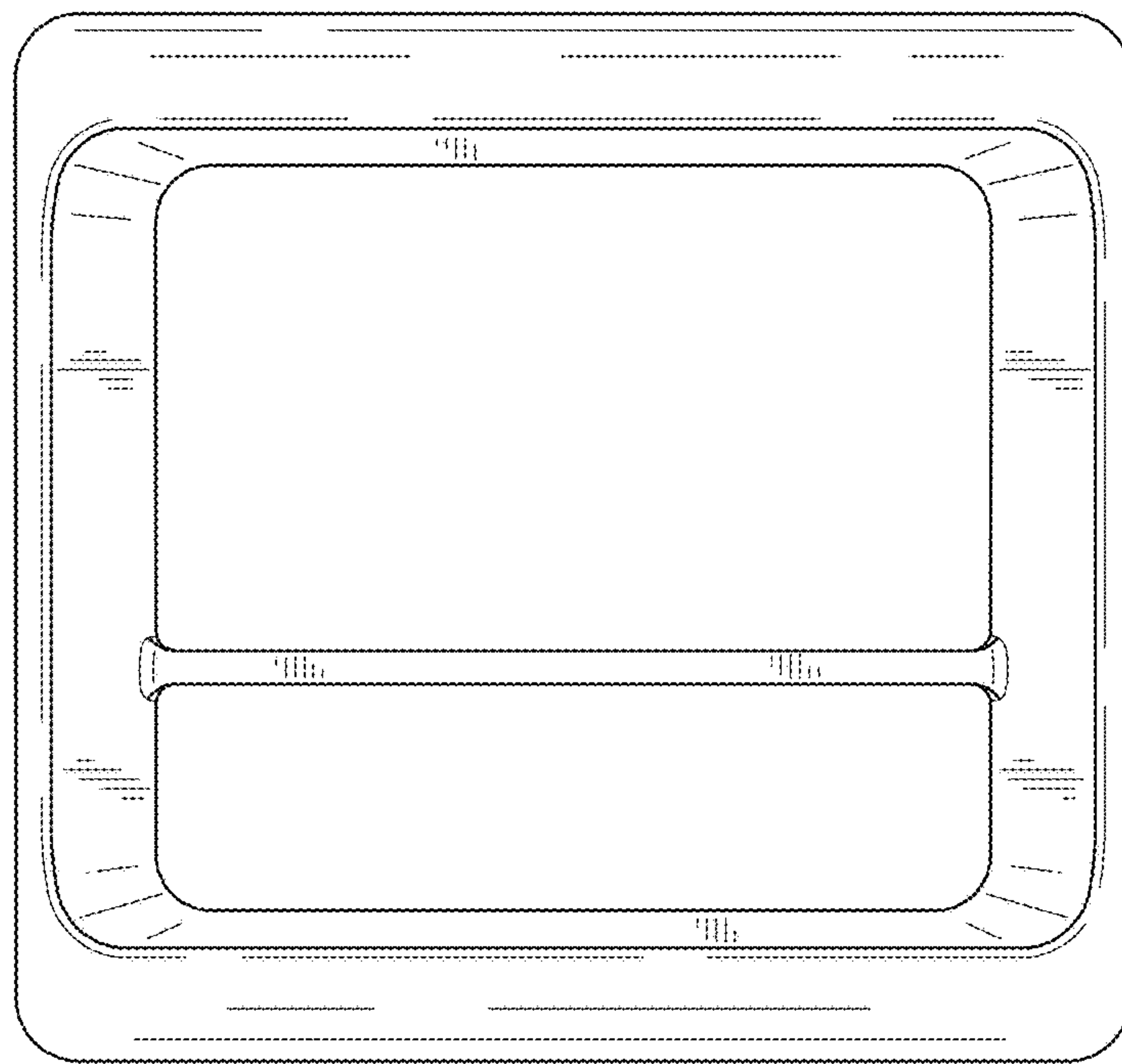


FIG. 2

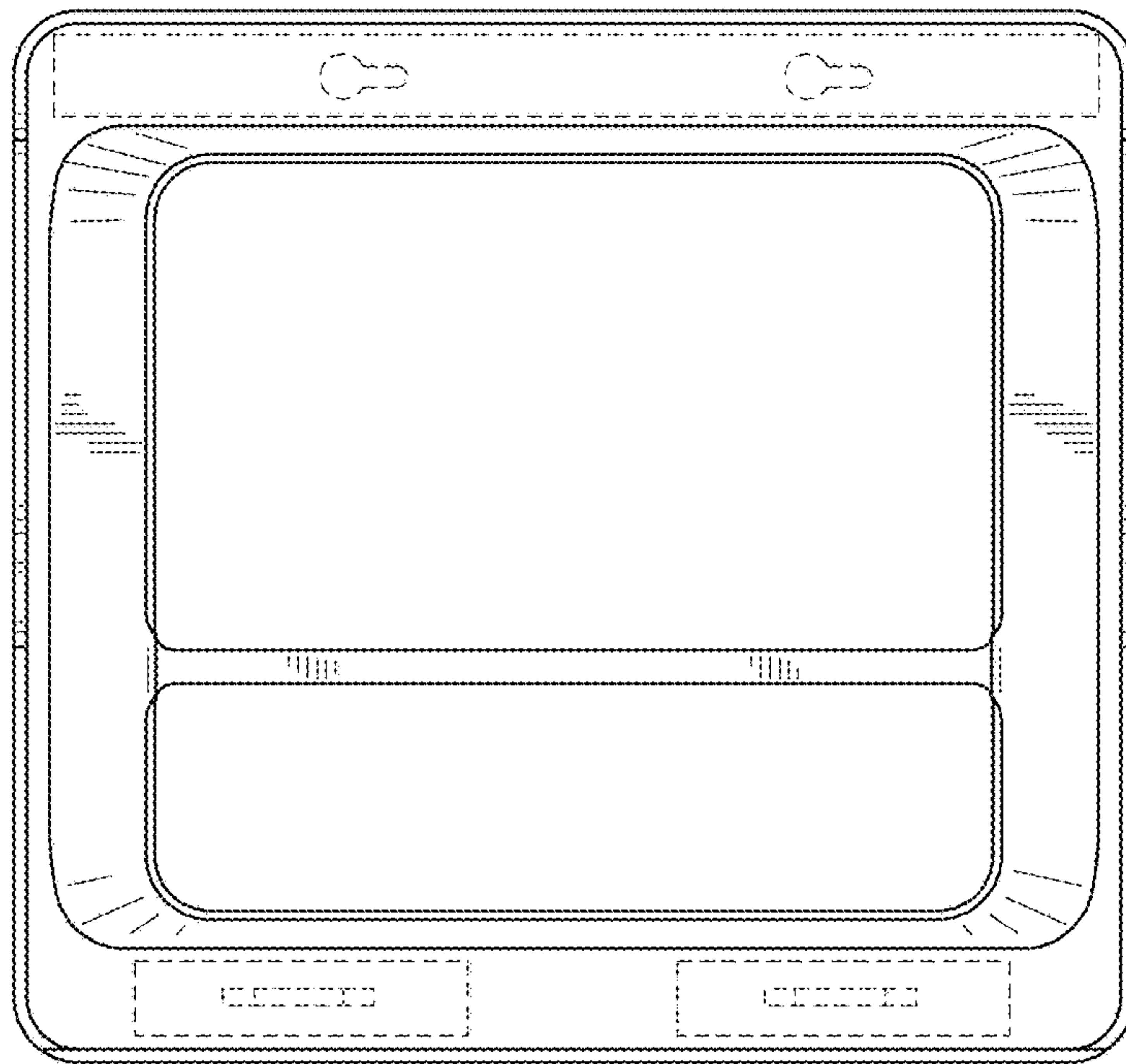


FIG. 3

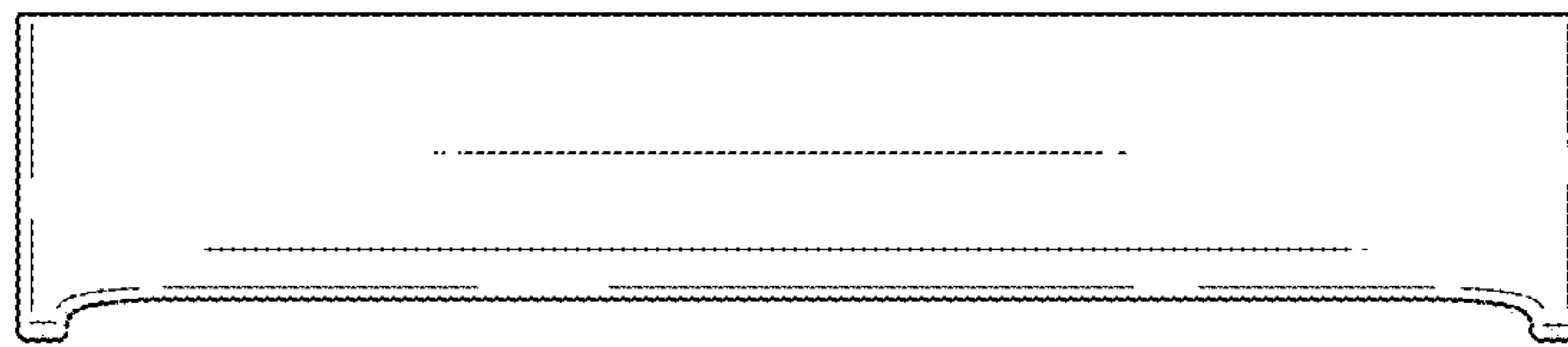


FIG. 4

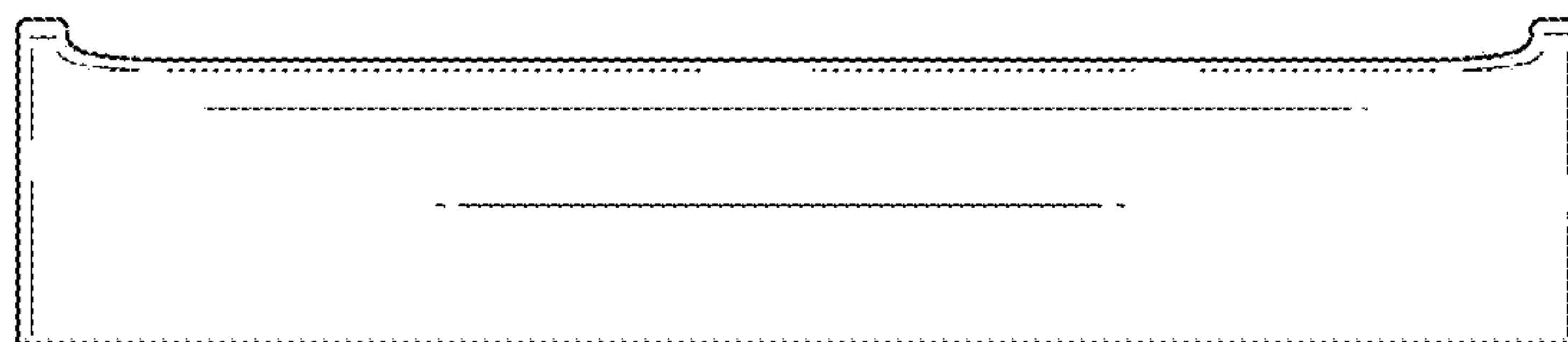


FIG. 5



FIG. 6

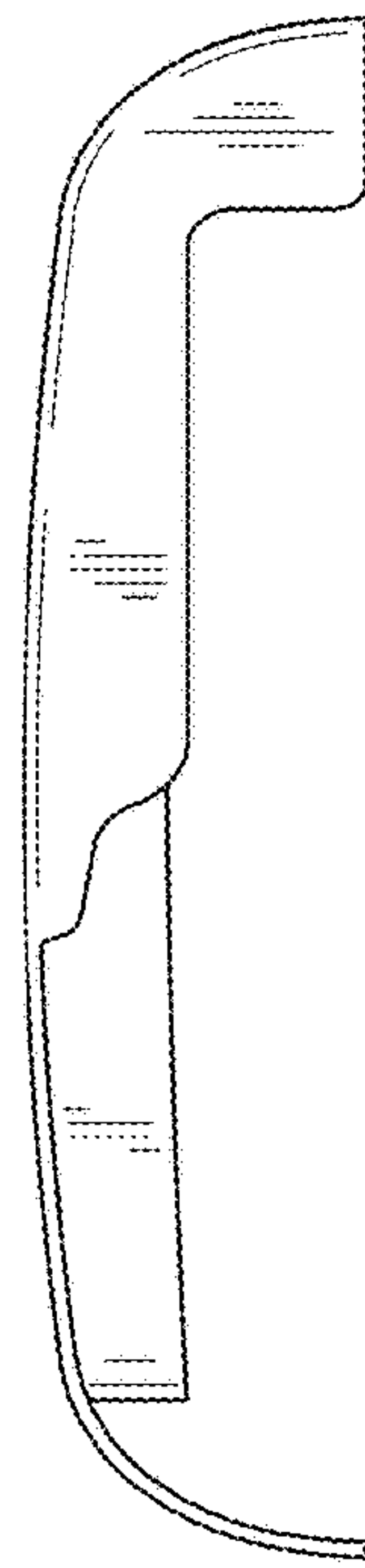


FIG. 7

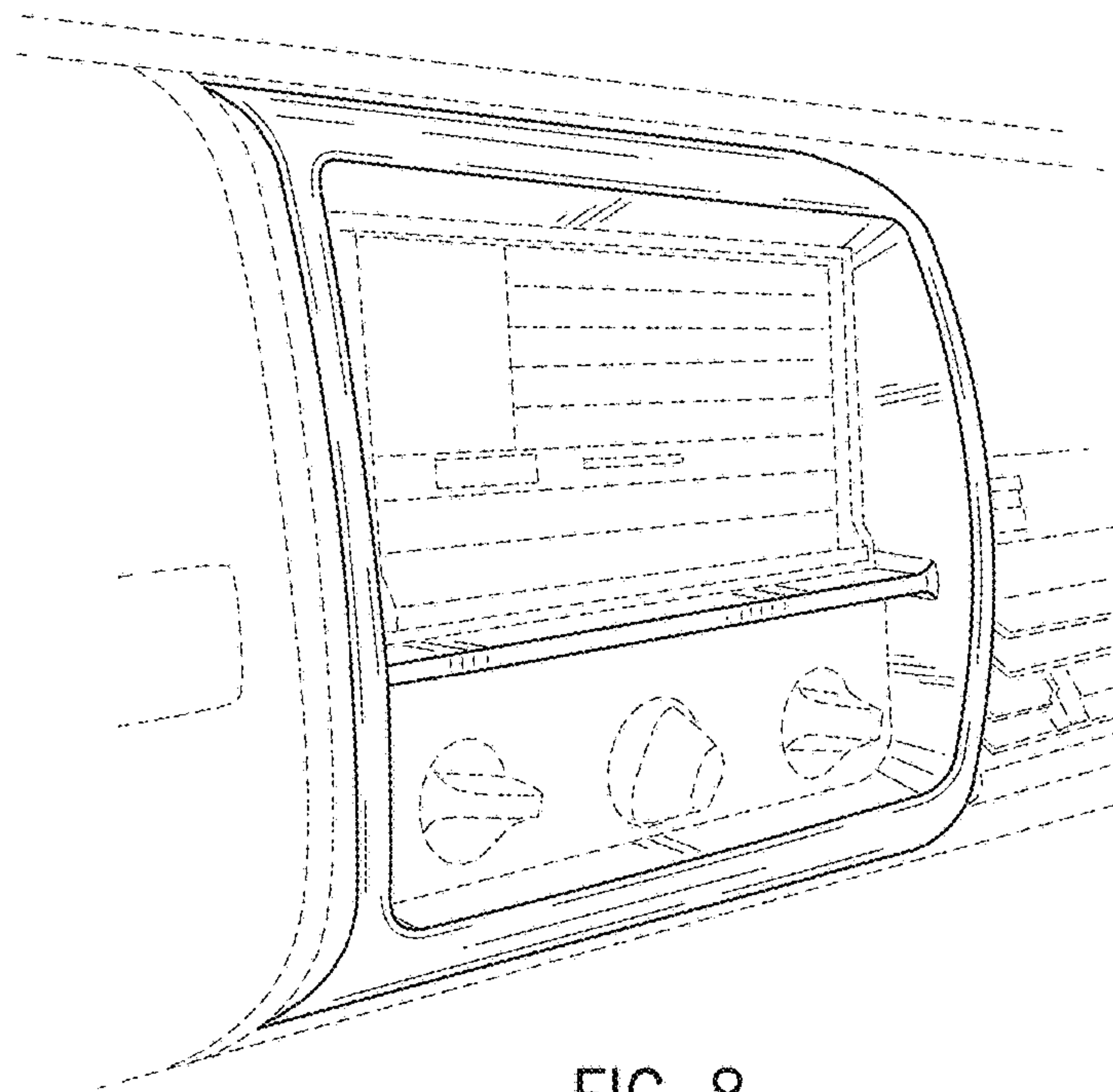


FIG. 8