



US00D852186S

(12) **United States Design Patent**
Yu

(10) **Patent No.:** **US D852,186 S**
(45) **Date of Patent:** **** Jun. 25, 2019**

(54) **CASE FOR ELECTRONIC DEVICE**

(71) Applicant: **Shenzhen IPAKY Electronic Technology Co. Ltd., Shenzhen (CN)**

(72) Inventor: **Genpei Yu, Shenzhen (CN)**

(**) Term: **15 Years**

(21) Appl. No.: **29/637,351**

(22) Filed: **Feb. 15, 2018**

(51) **LOC (11) Cl.** **14-03**

(52) **U.S. Cl.**
USPC **D14/250**

(58) **Field of Classification Search**
USPC D14/250
CPC A45C 2011/002
See application file for complete search history.

(56) **References Cited**

U.S. PATENT DOCUMENTS

D712,892 S *	9/2014	Hong	D14/250
D721,360 S *	1/2015	Laffon de Mazieres	D14/250
D722,312 S *	2/2015	Tages	D14/250
D743,389 S *	11/2015	Akana	D14/250
D776,645 S *	1/2017	Del Moral	D14/250
D808,377 S *	1/2018	Witter	D14/250
D820,246 S *	6/2018	Li	D14/250
D822,652 S *	7/2018	Kim	D14/250
D837,773 S *	1/2019	Kim	D14/250
D838,263 S *	1/2019	Yun	D14/250
D838,264 S *	1/2019	Wright	D14/250
D838,265 S *	1/2019	Wright	D14/250
D839,256 S *	1/2019	Kim	D14/250
D839,860 S *	2/2019	Kim	D14/250
D840,993 S *	2/2019	Kim	D14/250

OTHER PUBLICATIONS

IPAKY iPhone X Full Body Case, posted on amazon.com, posting date by Oct. 29, 2017, [online], [site visited Mar. 15, 2019].

Available from Internet, URL: <https://www.amazon.com/iPhone-Protection-Surface-Anti-Explosion-Protector/dp/B075CDWHMP> (Year: 2017).*

Speira Transparent Blue Case for iPhone XR, posted on amazon.com, posting date by Nov. 27, 2018, [online], [site visited Mar. 15, 2019]. Available from Internet, URL: <https://www.amazon.com/Speira-Transparent-Reinforced-Anti-Discoloration-Compatible/dp/B07L43Z1YF/> (Year: 2018).*

Spigen Ultra Hybrid for Apple iPhone XR, posted on amazon.com, posting date by Oct. 26, 2018, [online], [site visited Mar. 15, 2019]. Available from Internet, URL: <https://www.amazon.com/dp/B07HQ87ZG5/> (Year: 2018).*

* cited by examiner

Primary Examiner — George D. Kirschbaum

Assistant Examiner — Maria J Edwards

(74) *Attorney, Agent, or Firm* — Novoclaims Patent Services LLC; Mei Lin Wong

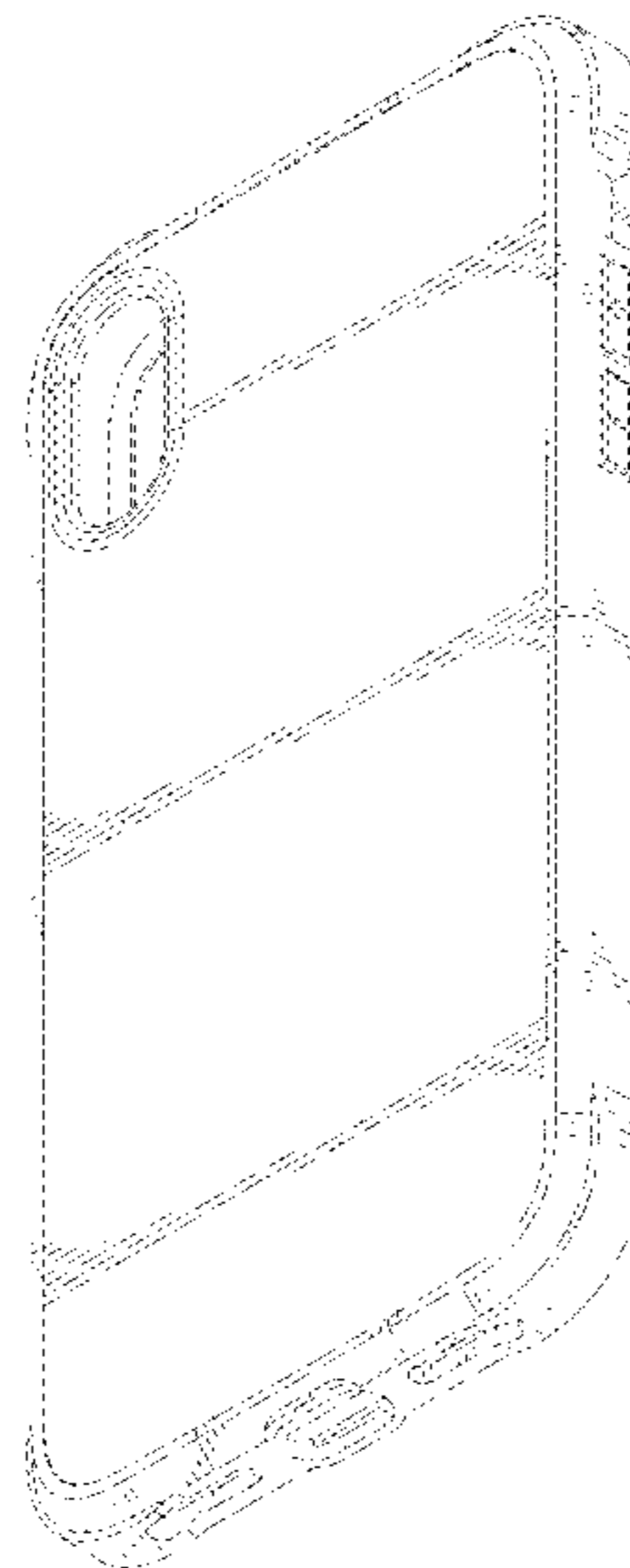
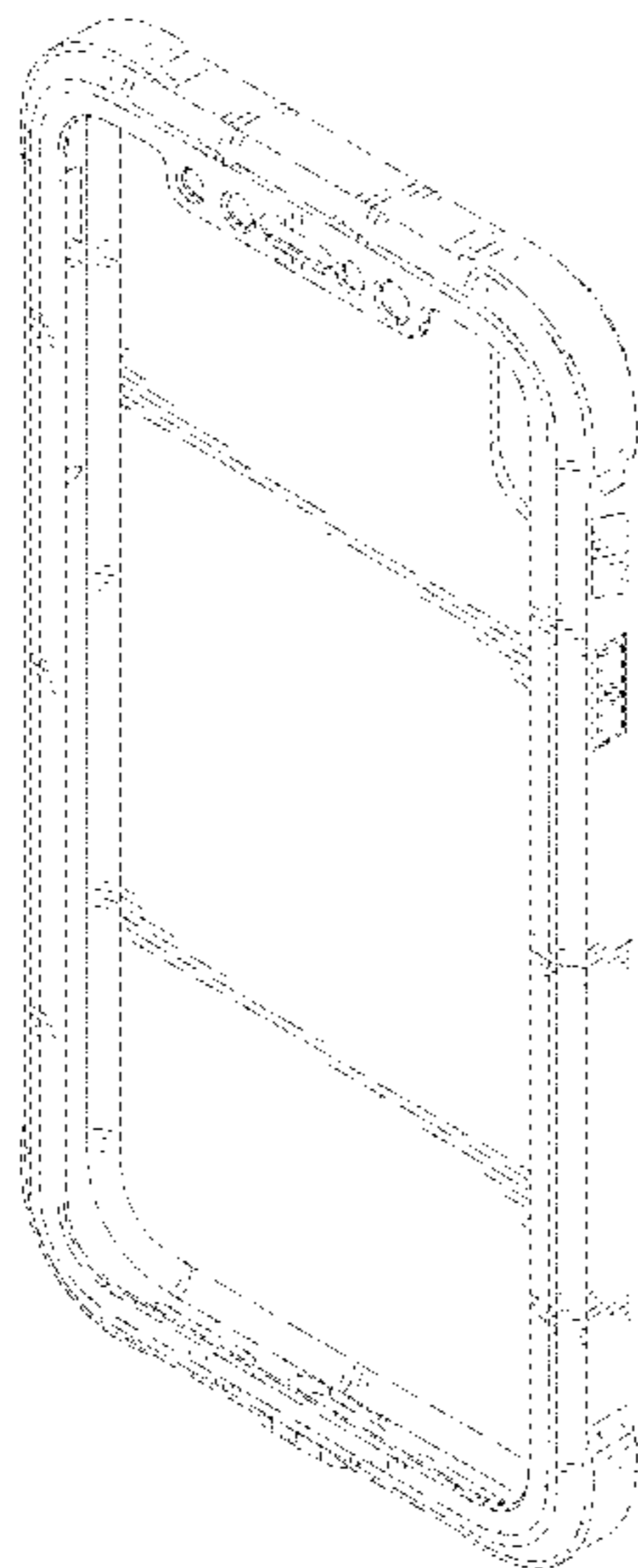
(57) **CLAIM**

The ornamental design of a case for electronic device, as shown and described.

DESCRIPTION

FIG. 1 is a front perspective view of a case for electronic device showing my new design;
FIG. 2 is a rear perspective view thereof;
FIG. 3 is a front view thereof;
FIG. 4 is a rear view thereof;
FIG. 5 is a left side view thereof;
FIG. 6 is a right side view thereof;
FIG. 7 is a top view thereof; and,
FIG. 8 is a bottom view thereof.

1 Claim, 8 Drawing Sheets



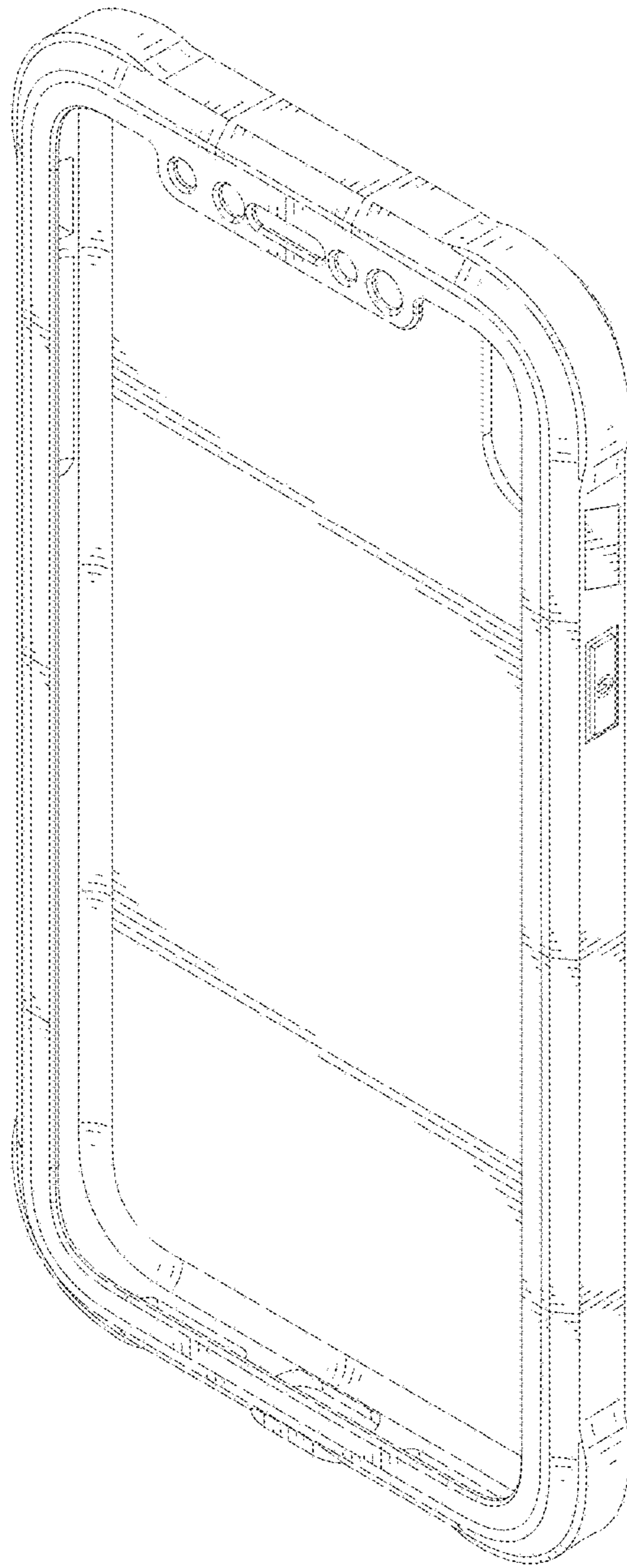


FIG.1

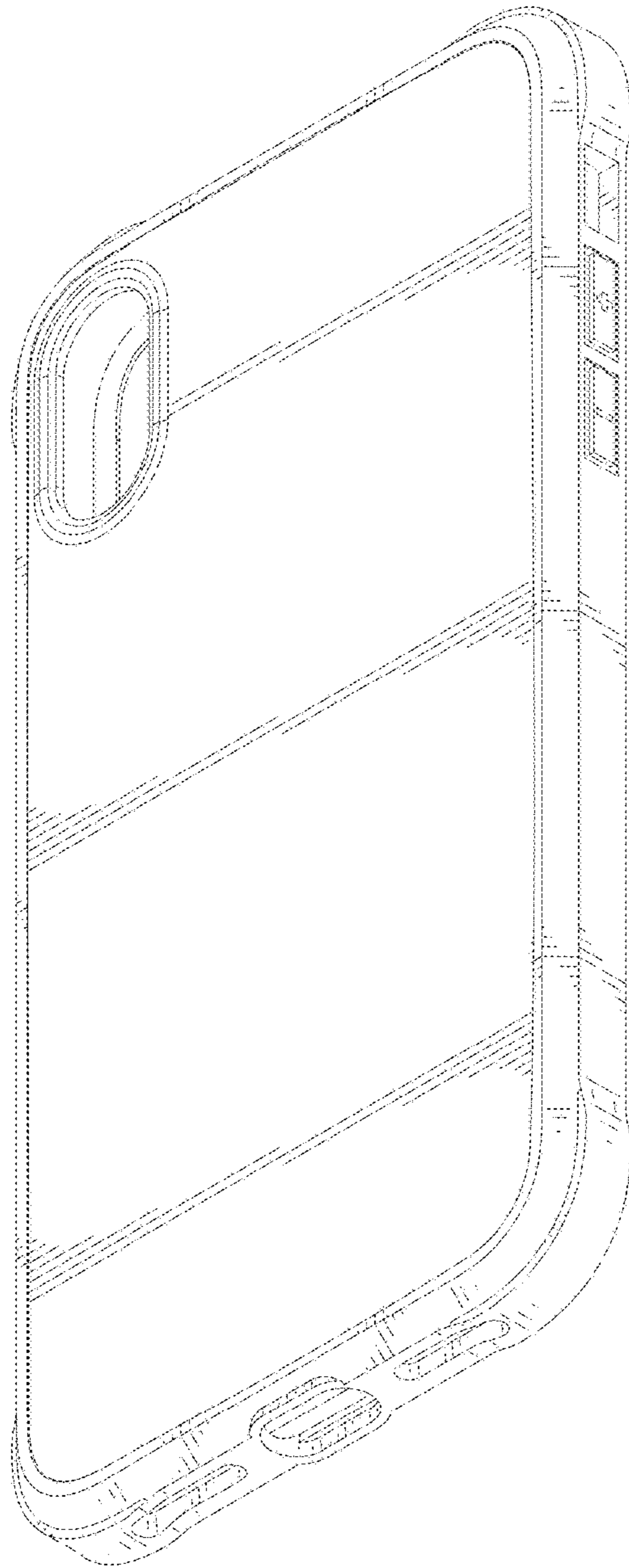


FIG. 2

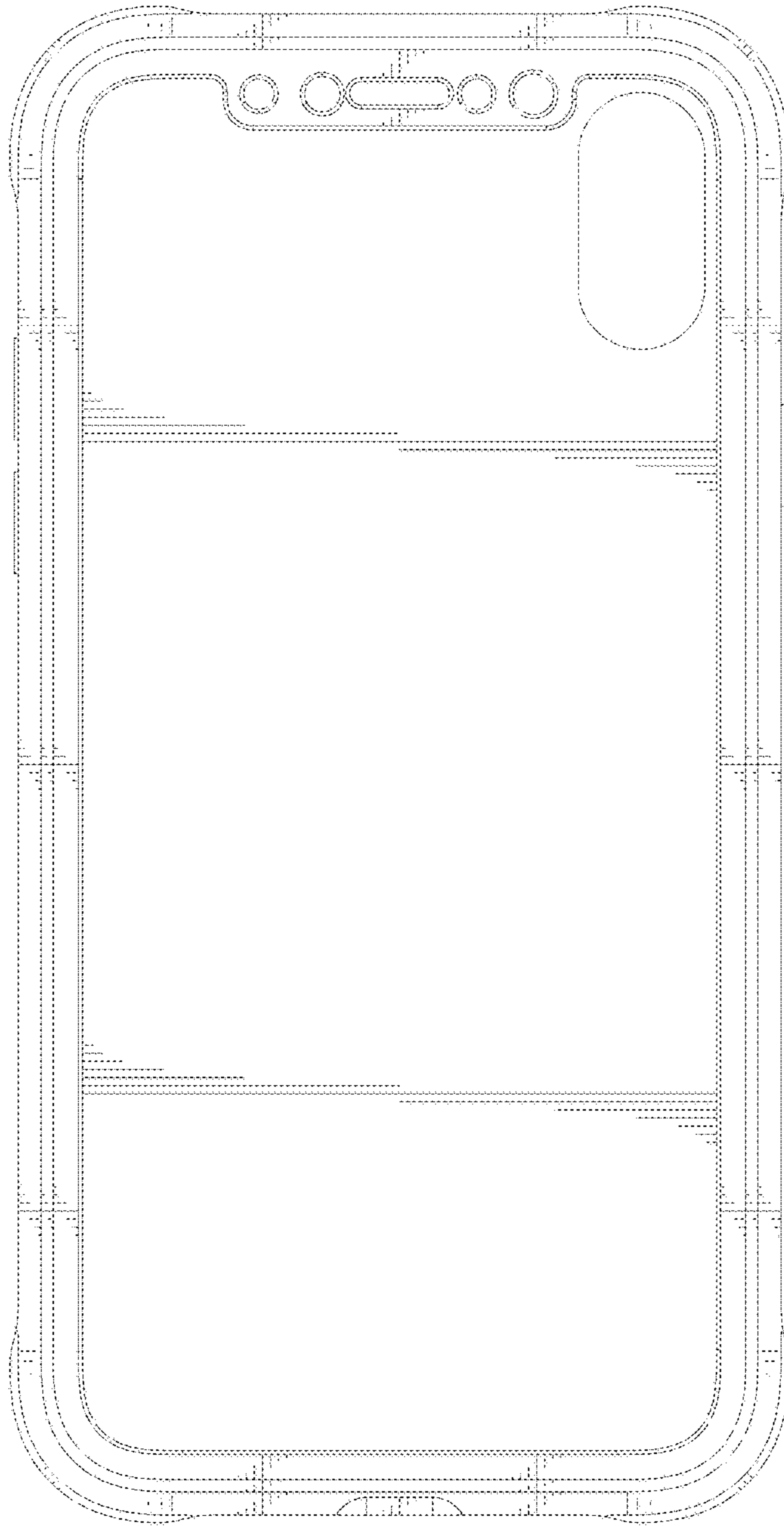


FIG.3

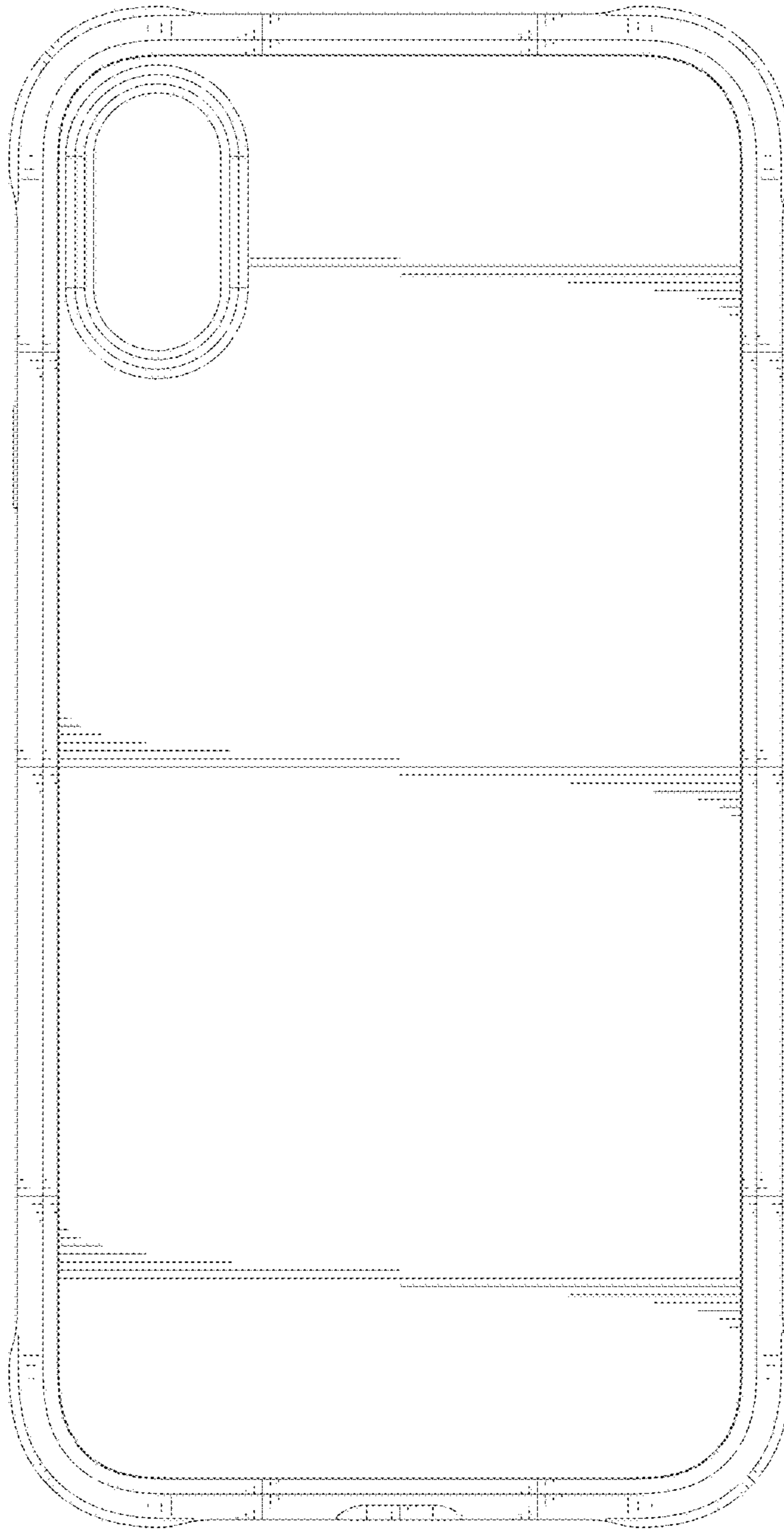


FIG.4

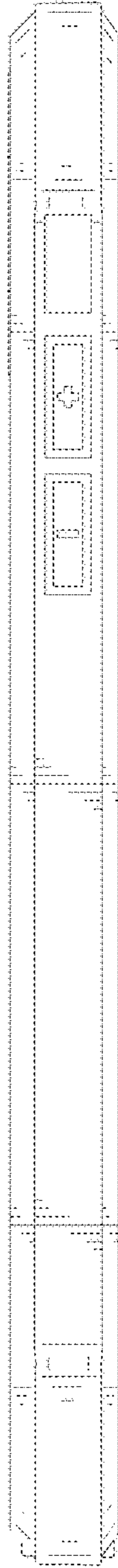


FIG.5



FIG.6

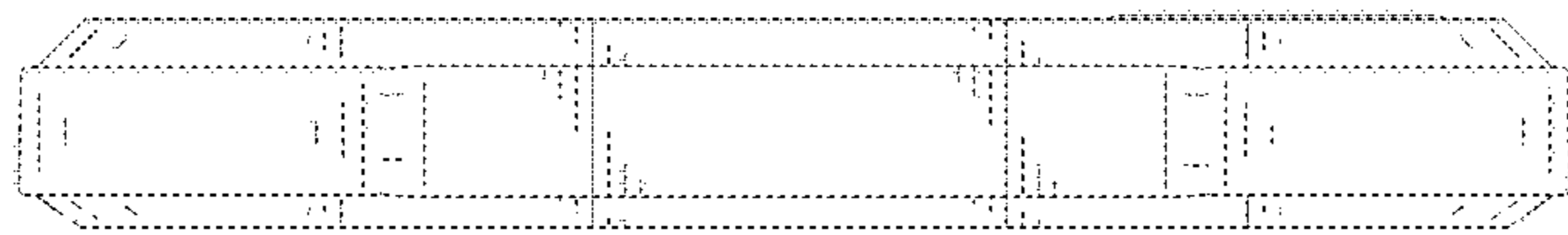


FIG.7

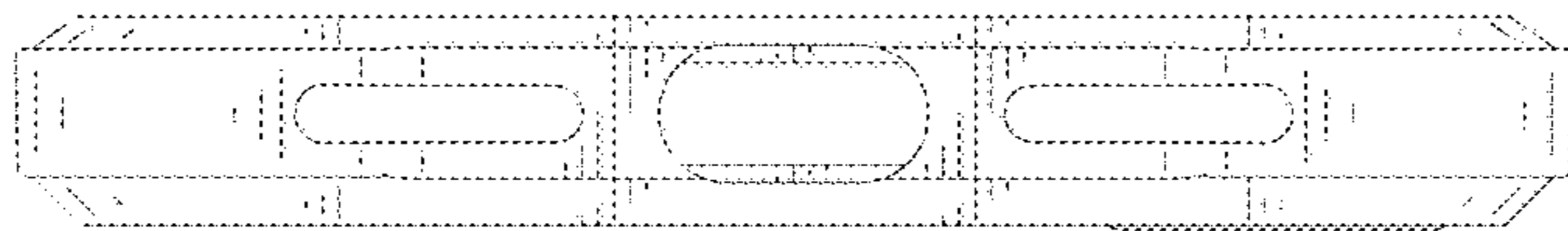


FIG.8