



US00D852180S

(12) **United States Design Patent**  
**Kim**

(10) **Patent No.:** **US D852,180 S**

(45) **Date of Patent:** **\*\* Jun. 25, 2019**

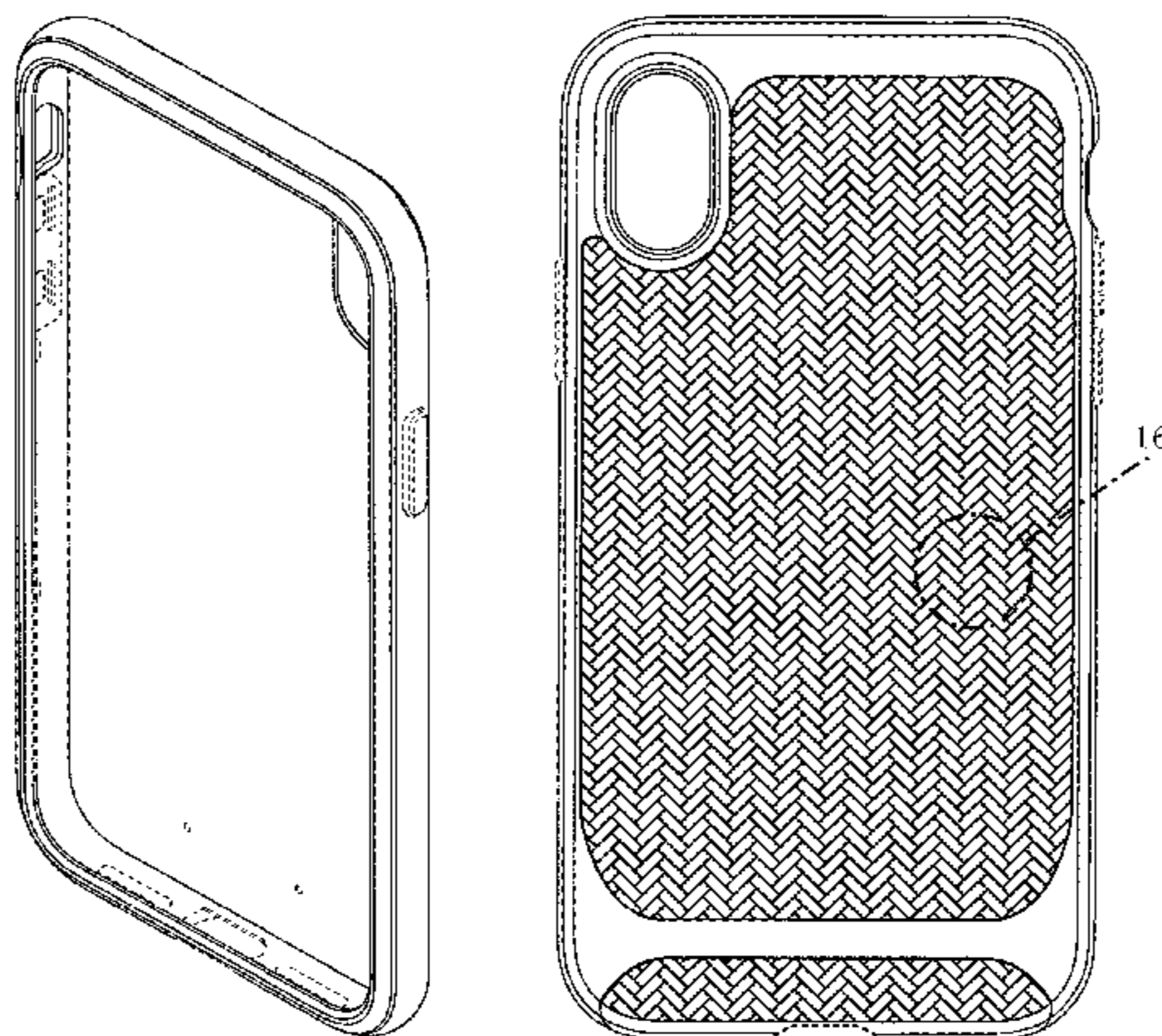
- (54) **CASE FOR ELECTRONIC COMMUNICATIONS DEVICE**
- (71) Applicant: **SPIGEN KOREA CO., LTD.**, Seoul (KR)
- (72) Inventor: **Seungjoo Kim**, Seoul (KR)
- (73) Assignee: **SPIGEN KOREA CO., LTD.**, Seoul (KR)
- (\*\*) Term: **15 Years**
- (21) Appl. No.: **29/614,404**
- (22) Filed: **Aug. 18, 2017**
- (51) **LOC (11) Cl.** ..... **14-03**
- (52) **U.S. Cl.**  
USPC ..... **D14/250**
- (58) **Field of Classification Search**  
USPC ..... D14/248, 439, 203.3-203.7, 447, 238.1, D14/440, 251-253, 217, 240, 250; D3/201, 218, 247, 269, 273, 301, 303; D13/103, 107-108, 119  
CPC ..... H04B 1/3888; H04M 1/0283; H04M 1/0202; A45C 1/06; A45C 2011/002; A45C 11/00; A45C 13/02; A45F 2005/026; A45F 2200/0525; A45F 2200/0516  
See application file for complete search history.

D644,635 S *	9/2011	Richardson	.....	D14/250
D662,929 S	7/2012	Fahrendorff et al.		
D671,930 S	12/2012	Akana et al.		
D673,539 S	1/2013	Magness et al.		
D674,789 S	1/2013	Wen		
D679,695 S	4/2013	Fahrendorff et al.		
D687,027 S	7/2013	Melanson et al.		
D691,122 S	10/2013	Bau		
D694,224 S	11/2013	Wooseung		
D694,759 S *	12/2013	Chang	.....	D14/440
D696,238 S	12/2013	Murchison et al.		
D696,240 S	12/2013	Kim et al.		
D703,653 S	4/2014	Brubaker et al.		
D703,656 S	4/2014	Witter et al.		
D721,071 S	1/2015	Nelson et al.		
D721,693 S	1/2015	Lee et al.		
D732,525 S	6/2015	Seo et al.		
D735,182 S	7/2015	Watkins et al.		
D739,394 S	9/2015	Rayner et al.		
D741,844 S *	10/2015	Rayner	.....	D14/250
D741,845 S	10/2015	Kim		
D744,995 S *	12/2015	Lerenthal	.....	D14/250
D746,275 S *	12/2015	Mohammad	.....	D14/250
D746,805 S	1/2016	Kim		
D751,058 S *	3/2016	Cocchia	.....	D14/250
D753,099 S *	4/2016	Kim	.....	D14/250
D756,343 S	5/2016	Wall et al.		
D763,241 S	8/2016	Kim		
D763,242 S *	8/2016	Kim	.....	D14/250
D765,627 S	9/2016	Watt		
D765,632 S *	9/2016	Northrup	.....	D14/250
D765,633 S	9/2016	Northrup et al.		
D765,638 S *	9/2016	Gaylord	.....	D14/250
D765,644 S	9/2016	Witter et al.		
D765,645 S	9/2016	Kim		
D766,819 S *	9/2016	Gjovik	.....	D13/103
D771,612 S	11/2016	Roberts et al.		
D771,613 S	11/2016	Poon et al.		
D772,209 S *	11/2016	Kim	.....	D14/250
D772,211 S	11/2016	Poon et al.		
D773,445 S	12/2016	Witter et al.		
D776,647 S	1/2017	Kim		
D777,157 S	1/2017	Kim		
D777,159 S	1/2017	Lee et al.		
D778,271 S *	2/2017	Stump	.....	D14/250
D778,892 S *	2/2017	Fathollahi	.....	D14/250
D781,835 S	3/2017	Kim et al.		
D781,836 S	3/2017	Kim et al.		
D781,837 S	3/2017	Kim et al.		
D781,838 S	3/2017	Kim et al.		
D781,839 S	3/2017	Kim et al.		
D781,840 S	3/2017	Kim et al.		
D782,453 S	3/2017	Kim et al.		

(56) **References Cited**

**U.S. PATENT DOCUMENTS**

D515,809 S *	2/2006	Perella	.....	D3/232
D574,819 S	8/2008	Andre et al.		
D615,077 S	5/2010	Richardson et al.		
D615,536 S	5/2010	Richardson et al.		
D623,639 S	9/2010	Richardson et al.		
D623,640 S	9/2010	Freeman		
D624,910 S *	10/2010	Richardson	.....	D14/250
D638,830 S *	5/2011	Magness	.....	D14/250
D643,029 S	8/2011	Feng		
D643,836 S *	8/2011	Smith	.....	D14/250
D643,837 S	8/2011	Smith		
7,989,085 B2 *	8/2011	Li	.....	H04M 1/0283 174/50



D782,454 S	3/2017	Kim et al.	
D784,309 S	4/2017	Lee et al.	
D786,848 S	5/2017	Park et al.	
D786,849 S	5/2017	Park et al.	
D787,498 S *	5/2017	Chen .....	D14/250
D788,757 S *	6/2017	Kim .....	D14/250
D792,394 S	7/2017	Lee et al.	
D795,237 S	8/2017	Jung et al.	
D797,715 S	9/2017	Kim	
D800,714 S	10/2017	Lee et al.	
D801,323 S	10/2017	Kim	
D808,373 S *	1/2018	Brown .....	D14/250
2014/0221056 A1 *	8/2014	Gandhi .....	H04B 1/3888 455/575.8
2015/0141090 A1 *	5/2015	Hwan .....	H04B 1/3888 455/575.8

## OTHER PUBLICATIONS

Review of Rock Royce Hybrid Case for iPhone 6 Plus, posted on Jan. 1, 2015, URL:<http://gadgetunit.com/2015/01/01/review-rock-royce-hybrid-case-for-iphone-6-plus-video/>, retrieved from internet on Mar. 14, 2018.\*

Caseology review: Testing 4 of the nicest iPhone 6s cases available, posted on Nov. 28, 2015, URL: <https://www.cultofmac.com/399325/caseology-review/>, retrieved from internet on Mar. 14, 2018.\*

“Caseology Parallax Series iPhone 7 Plus / 8 Plus Cover Case with Design Slim Protective for Apple iPhone 7 Plus (2016)/ iPhone 8 Plus (2017)—Matte Black”, [https://www.amazon.com/dp/B01LY50PST/ref=sspa\\_dk\\_detail\\_2?psc=1&pd\\_rd\\_i=B01LY50PST&pd\\_rd\\_wg=icXr2&pd\\_rd\\_r=GH162EAFZNP50Z3MFQ31&pd\\_rd\\_w=csf1K](https://www.amazon.com/dp/B01LY50PST/ref=sspa_dk_detail_2?psc=1&pd_rd_i=B01LY50PST&pd_rd_wg=icXr2&pd_rd_r=GH162EAFZNP50Z3MFQ31&pd_rd_w=csf1K), Earliest review date of Sep. 9, 2016.

“iPhone 6S Plus Case, Caseology [Wavelength Series] Slim Fit Military-Grade Drop Protection [Navy Blue] for Apple iPhone 6S Plus (2015) & iPhone 6 Plus (2014)”, <https://www.amazon.com/iPhone-Caseology-Wavelength-Military-Grade-Protection/dp/B013W2C77G>, Earliest review date of Sep. 10, 2015.

“Gold Apple iPhone 5 5S Hybrid Shockproof Hard Bumper Soft Case Cover Skin”, <https://www.nywatchstore.com/goapip55shys.html>.

“Rock PC+TPU Neo Hybrid Durable Slim Armor cover case for iPhone X 6S 5S SE Plus”, <https://www.ebay.com/itm/rock-pc-tpu-Neo-Hybrid-Durable-Slim-Armor-cover-case-for-iphone-X-6S-5S-SE-Plus-/111952466831>.

“Rock Royce Hybrid Case for Apple iPhone 5 5S & SE Iron Grey”, <https://www.gadgetwear.co.uk/products/rock-royce-hybrid-case-for-apple-iphone-5-5s-se-iron-grey>, Earliest review date of Aug. 26, 2016.

“iPhone SE Case, for Apple iPhone 5S/5 Case, Rock [Royce] Anti-scratch Drop Protection Slim Fit Dual Layered Heavy Duty Armor Hybrid Hard PC + Soft TPU Protective Shell Case—Champagne Gold/Black”, <https://www.amazon.com/ROCKAntiscratchProtectionLayeredProtective/dp/B014A8AM7I>, Earliest review date of Oct. 16, 2015.

“iPhone 6s Case, Spigen [Neo Hybrid EX] Premium Bumper [Rose Gold] Clear TPU / PC Frame Slim Dual Layer Premium Case for iPhone 6 (2014) / 6s (2015)—Rose Gold (SGP11725)”, <https://www.amazon.com/dp/B012PKV30S>, Earliest review date of Aug. 28, 2015.

Danny Winget, “Spigen SGP Neo Hybrid for Galaxy Note 3 Review”, <https://www.youtube.com/watch?v=W80JtBDSckK>, Published on Nov. 3, 2013.

“Spigen Neo Hybrid Carbon Galaxy S6 Edge Plus Case with Carbon Fiber Design and Reinforced Hard Bumper Frame for Galaxy S6 Edge Plus 2015—Dante Red”, <https://www.amazon.com/dp/B010MWHZS0>, Earliest review date of Aug. 18, 2015.

“Spigen Neo Hybrid Carbon iPhone 6s Case with Carbon Fiber Design and Reinforced Hard Bumper Frame for Apple iPhone 6s / iPhone 6 (2015)—Reventon Yellow”, <https://www.amazon.com/dp/B010MVJ5O8>, Earliest review date of Sep. 1, 2015.

“Spigen Neo Hybrid Carbon iPhone 6S Plus Case with Carbon Fiber Design and Reinforced Hard Bumper Frame for iPhone 6S Plus

2015—Gunmetal”, <https://www.amazon.com/dp/B010MVRGMQ>, Earliest review date of Sep. 11, 2015.

“Spigen Neo Hybrid CC Galaxy S6 Case with Flexible Inner Casing and Reinforced Hard Bumper Frame for Galaxy S6 2015—Satin Silver”, <https://www.amazon.com/dp/B00UMDOZLU>, Earliest review date of Mar. 25, 2015.

“Spigen Neo Hybrid CC Galaxy S6 Edge Case with Flexible Inner Casing and Reinforced Hard Bumper Frame for Galaxy S6 Edge 2015—Blue Topaz”, <https://www.amazon.com/dp/B00USAPGKQ>, Earliest review date of Apr. 4, 2015.

“Spigen Neo Hybrid Crystal Galaxy Note 5 Case with Flexible Inner Casing and Reinforced Hard Bumper Frame for Galaxy Note 5 2015—Champagne Gold”, <https://www.amazon.com/dp/B010MWIG1K>, Earliest review date of Aug. 22, 2015.

“Spigen Neo Hybrid EX iPhone 6 Case with Flexible Inner Bumper and Reinforced Hard Frame for iPhone 6S/iPhone 6—EX Satin Silver”, <https://www.amazon.com/dp/B00LL6RZ3C>, Earliest review date of Sep. 6, 2014.

“Spigen Neo Hybrid EX iPhone 6S Plus Case with Flexible Inner Bumper and Reinforced Hard Frame for iPhone 6S Plus/iPhone 6 Plus—Champagne Gold”, <https://www.amazon.com/dp/B010MVRR16>, Earliest review date of Sep. 4, 2015.

“Spigen Neo Hybrid EX Nexus 6P Case with Flexible Inner Bumper and Reinforced Hard Frame for Nexus 6P 2015—Gunmetal”, <https://www.amazon.com/dp/B0184I8Z4W>, Earliest review date of Oct. 20, 2015.

“Spigen Neo Hybrid Galaxy S6 Case with Flexible Inner Protection and Reinforced Hard Bumper Frame for Galaxy S6 2015—Satin Silver”, <https://www.amazon.com/dp/B00QU4Q31A>, Earliest review date of Mar. 6, 2015.

“Spigen Neo Hybrid Galaxy S6 Edge Case with Flexible Inner Protection and Reinforced Hard Bumper Frame for Galaxy S6 Edge 2015—Gunmetal”, <https://www.amazon.com/dp/B00SV635BG>, Earliest review date of Mar. 19, 2015.

“Spigen Neo Hybrid iPhone 6 Case with Flexible Inner Protection and Reinforced Hard Bumper Frame for iPhone 6S / iPhone 6—Gunmetal”, <https://www.amazon.com/dp/B00LL6ZPXV>, Earliest review date of Aug. 28, 2014.

“Spigen Neo Hybrid Nexus 6 Case with Flexible Inner Protection and Reinforced Hard Bumper Frame for Google Nexus 6 2014—Dante Red”, <https://www.amazon.com/dp/B00OH4HKGC>, Earliest review date of Nov. 16, 2014.

“Spigen Neo Hybrid Galaxy S7 Case with Flexible Inner Protection and Reinforced Hard Bumper Frame for Samsung Galaxy S7 2016—Gunmetal”, <https://www.amazon.com/dp/B01B1I6J0E>, Earliest review date of Feb. 27, 2016.

“Spigen Neo Hybrid Crystal Galaxy S7 Case with Flexible Inner Casing and Reinforced Hard Bumper Frame for Samsung Galaxy S7 2016—Champagne Gold”, <https://www.amazon.com/dp/B01B29WCOY>, Earliest review date of Mar. 3, 2016.

“Spigen Neo Hybrid Crystal Galaxy S7 Edge Case with Flexible Inner Casing and Reinforced Hard Bumper Frame for Samsung Galaxy S7 Edge 2016—Satin Silver”, <https://www.amazon.com/dp/B01A7IDQV4>, Earliest review date of Feb. 22, 2016.

“Spigen Neo Hybrid Crystal iPhone SE Case with Flexible Inner Casing and Reinforced Hard Bumper Frame for iPhone SE 2016—Rose Gold”, <https://www.amazon.com/dp/B01BEJB7TI>, Earliest review date of Apr. 7, 2016.

“Spigen Neo Hybrid Crystal LG G5 Case with Flexible Inner Casing and Reinforced Hard Bumper Frame for LG G5 2016—Champagne Gold”, <https://www.amazon.com/dp/B01B1GQKIC>, Earliest review date of Apr. 17, 2016.

“Spigen Neo Hybrid Galaxy S7 Edge Case with Flexible Inner Protection and Reinforced Hard Bumper Frame for Samsung Galaxy S7 Edge 2016—Satin Silver”, <https://www.amazon.com/dp/B01B1I6JMM>, Earliest review date of Feb. 27, 2016.

“Spigen Neo Hybrid iPhone SE Case with Flexible Inner Protection and Reinforced Hard Bumper Frame for iPhone SE 2016—Gunmetal”, <https://www.amazon.com/dp/B01BEJBBSK>, Earliest review date of Apr. 6, 2016.

“Spigen Neo Hybrid OnePlus 3 Case/OnePlus 3T Case with Flexible Inner Protection and Reinforced Hard Bumper Frame for

OnePlus 3 2016—Gunmetal”, <https://www.amazon.com/dp/B01H3PF76Q>, Earliest review date of Aug. 9, 2016.

“Spigen Neo Hybrid iPhone 6S Case with Flexible Inner Protection and Reinforced Hard Bumper Frame for iPhone 6S 2015—Gunmetal”, <https://www.amazon.com/dp/B010MVIZTE>, Earliest review date of Sep. 1, 2015.

\* cited by examiner

*Primary Examiner* — Carla J Wright

(74) *Attorney, Agent, or Firm* — Heedong Chae; Lucem, PC

(57) **CLAIM**

The ornamental design for a case for electronic communications device, as shown and described.

**DESCRIPTION**

FIG. 1 is a front perspective view of a case for electronic communications device showing my new design;  
FIG. 2 is a rear perspective view thereof;  
FIG. 3 is a front elevational view thereof;  
FIG. 4 is a rear elevational view thereof;  
FIG. 5 is a left side elevational view thereof;  
FIG. 6 is a right side elevational view thereof;  
FIG. 7 is a top plan view thereof;  
FIG. 8 is a bottom plan view thereof;  
FIG. 9 is a front perspective view showing the inner shell component of the case separately for clarity of disclosure;

FIG. 10 is a rear perspective view showing the inner shell component of the case separately for clarity of disclosure;  
FIG. 11 is a front perspective view showing the outer frame component of the case separately for clarity of disclosure;  
FIG. 12 is a rear perspective view showing the outer frame component of the case separately for clarity of disclosure;  
FIG. 13 is an exploded front perspective view showing the components of the case separated for clarity of disclosure;  
FIG. 14 is an exploded rear perspective view showing the components of the case separated for clarity of disclosure;  
FIG. 15 is an enlarged detail view of the encircled portion of the design from FIG. 2; and,  
FIG. 16 is an enlarged detail view of the encircled portion of the design from FIG. 4.

Although the case for electronic communications device, in which the claimed design is embodied, consists of an inner shell component and an outer frame component, the claim is directed to the ornamental appearance of the case for electronic communications device in its entirety and does not extend to the ornamental appearance of each of the individual components of the case for electronic communications device.

The dot-dash broken line circles in FIGS. 2, 4, 15, and 16, delineate portions of the claimed design that are shown on an enlarged scale in FIGS. 15 and 16. The dashed broken lines throughout the drawing figures depict portions of the case for electronic communications device that form no part of the claimed design. The broken lines and regions bounded by dashed broken lines form no part of the claimed design.

**1 Claim, 16 Drawing Sheets**

FIG. 1

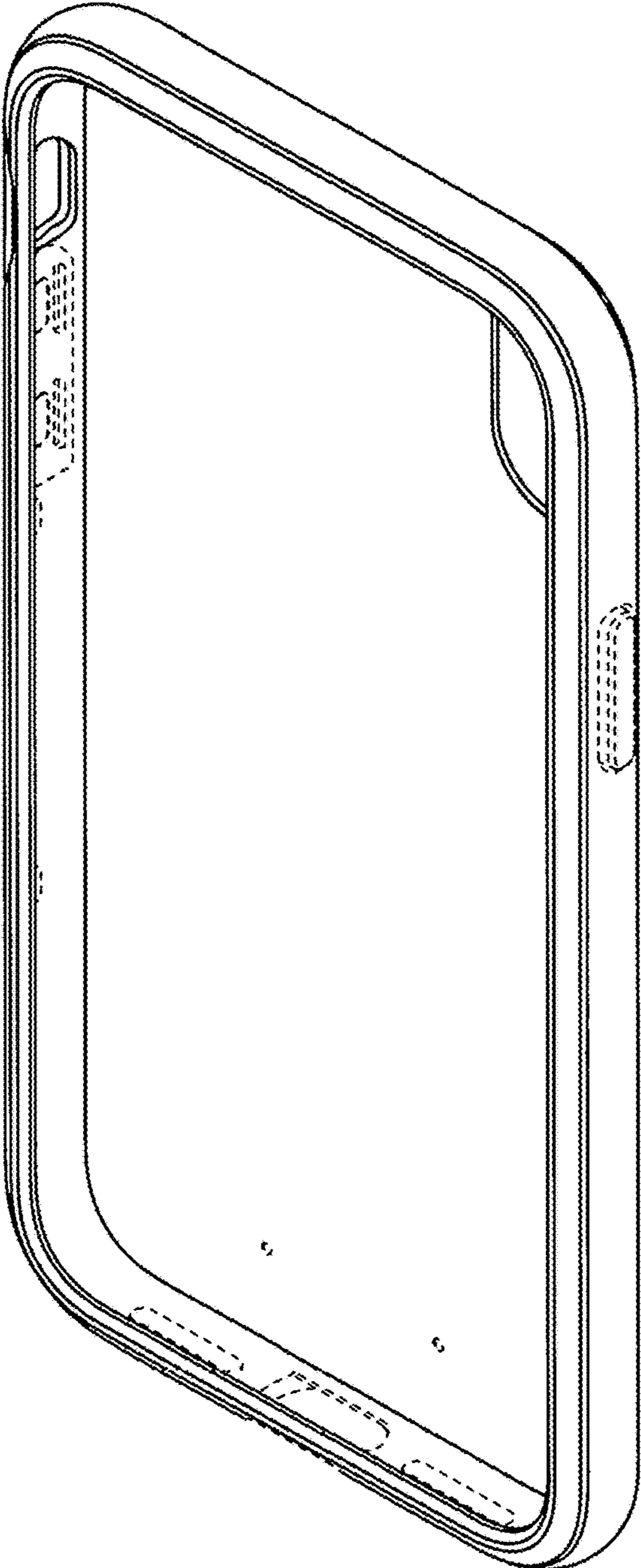


FIG. 2

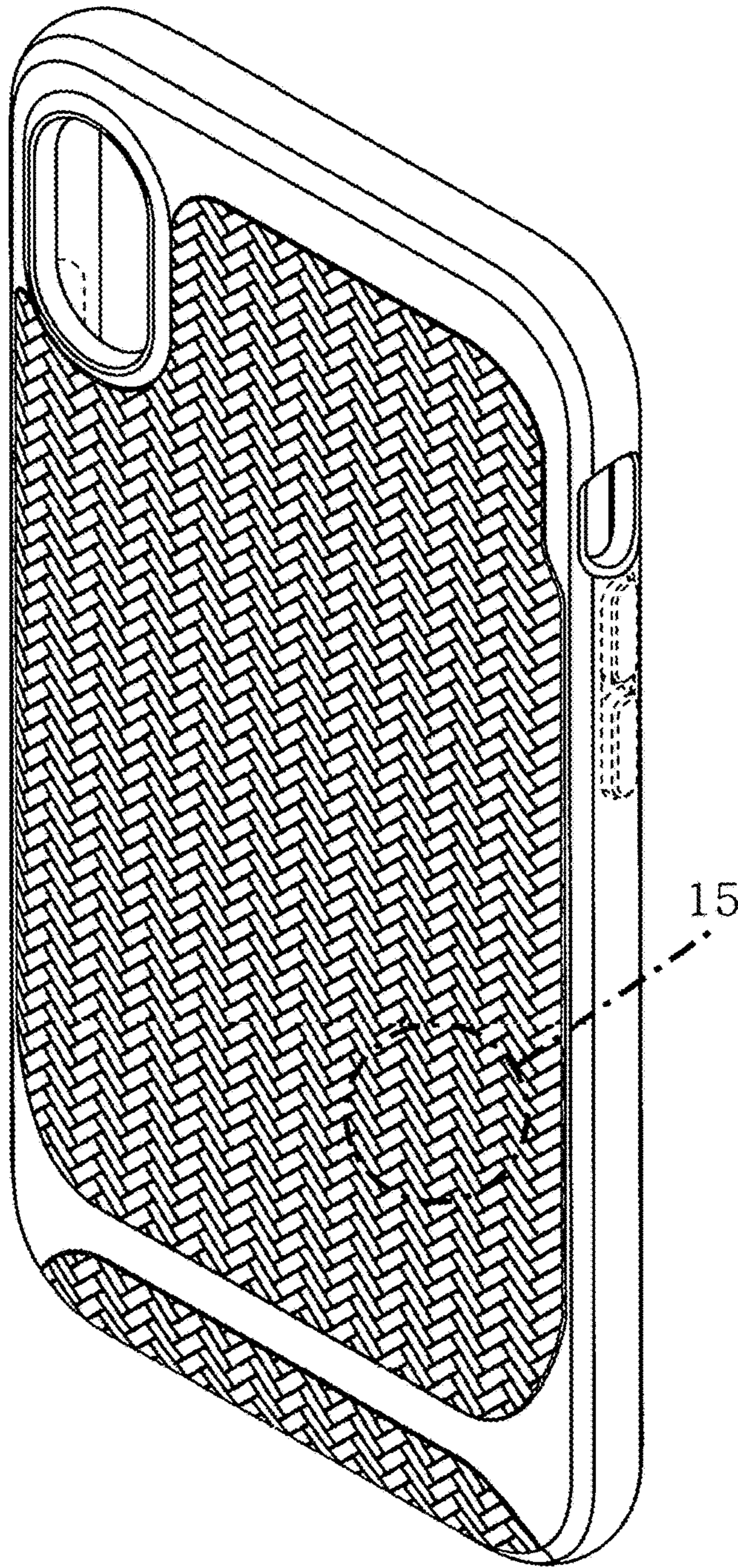


FIG. 3

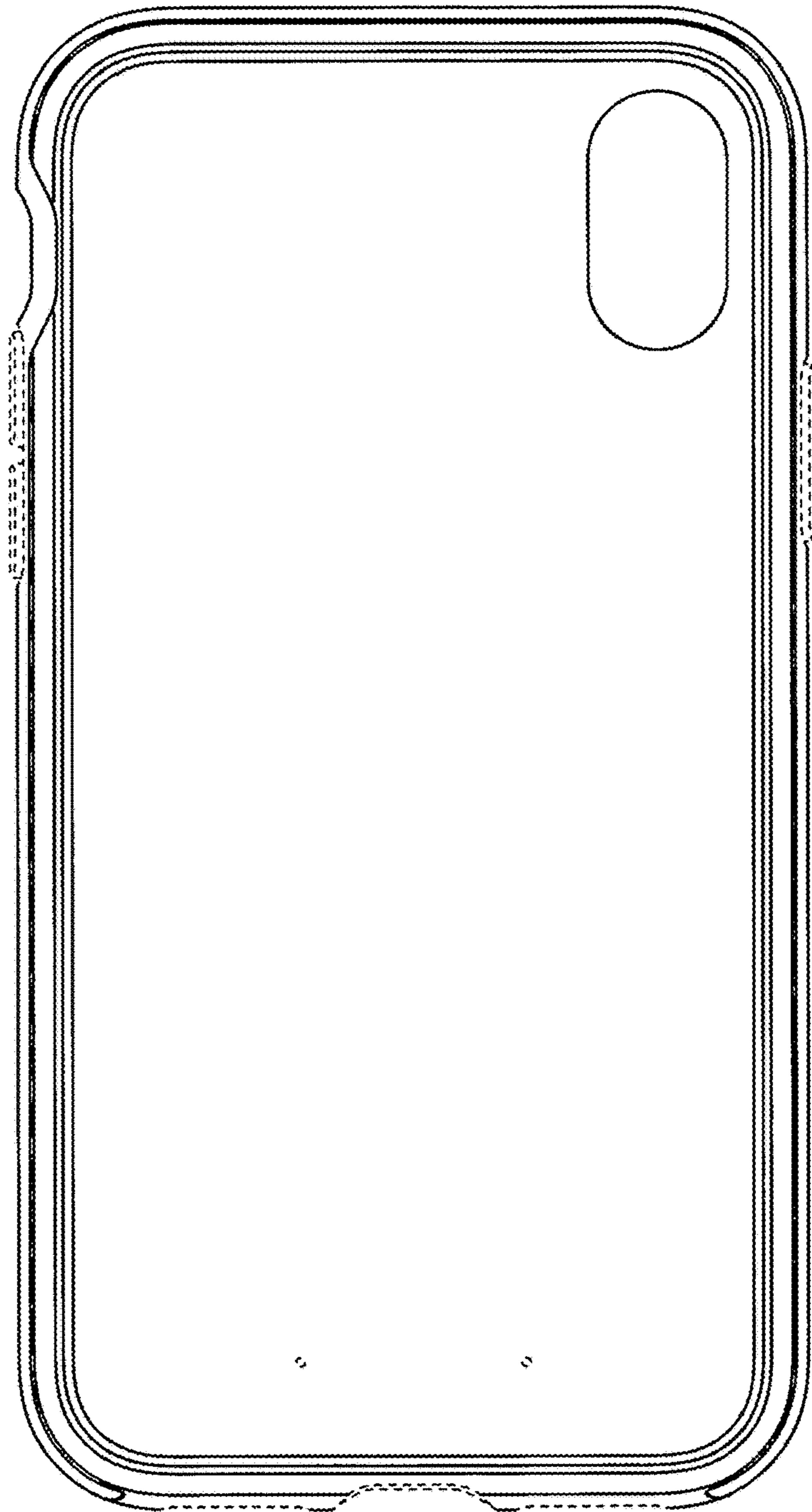


FIG. 4

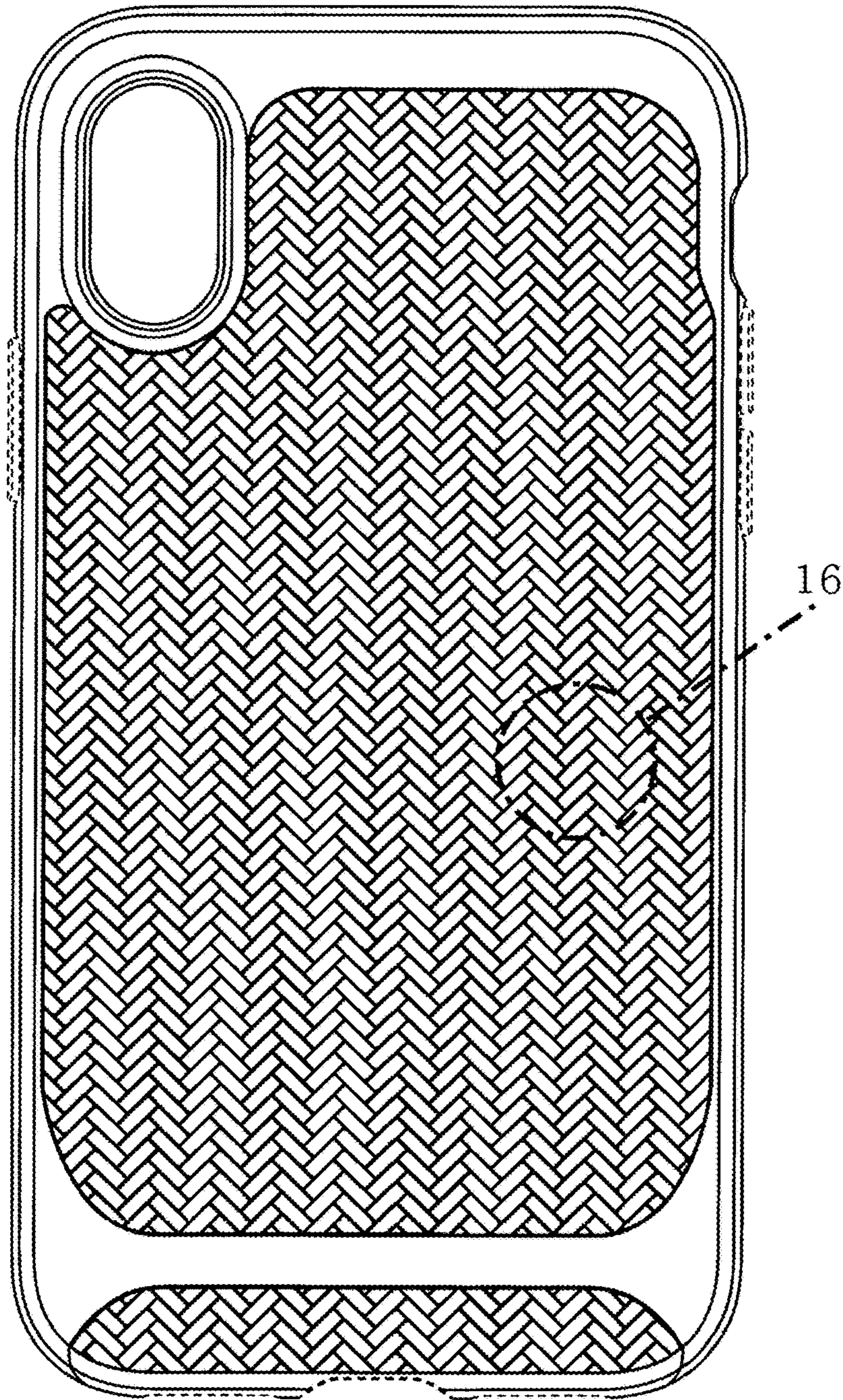


FIG. 5

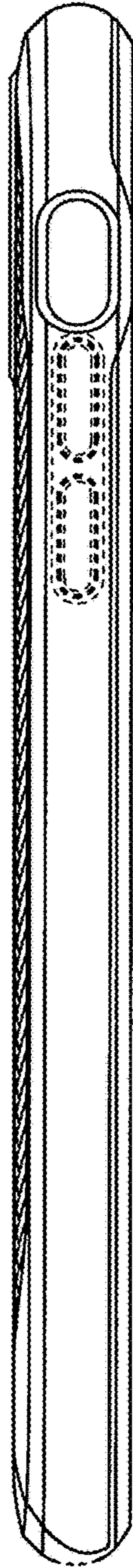




FIG. 6

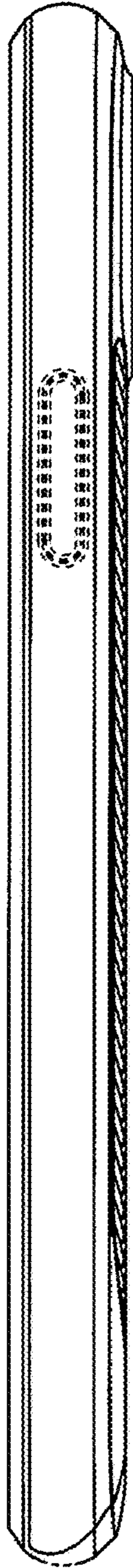


FIG. 7

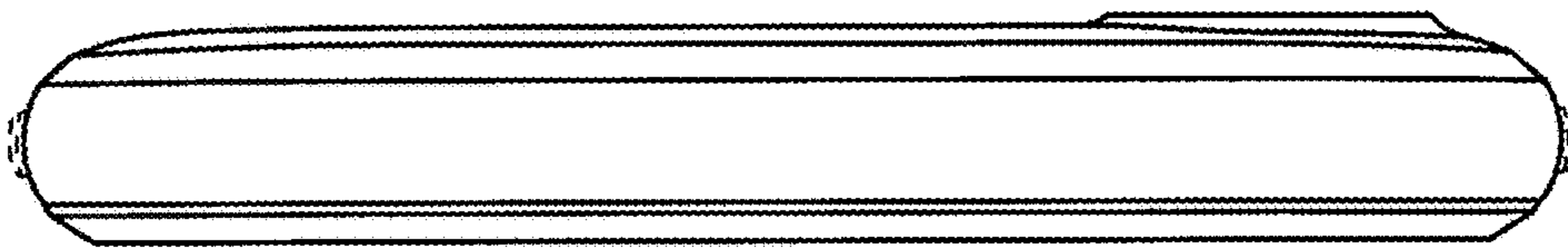


FIG. 8

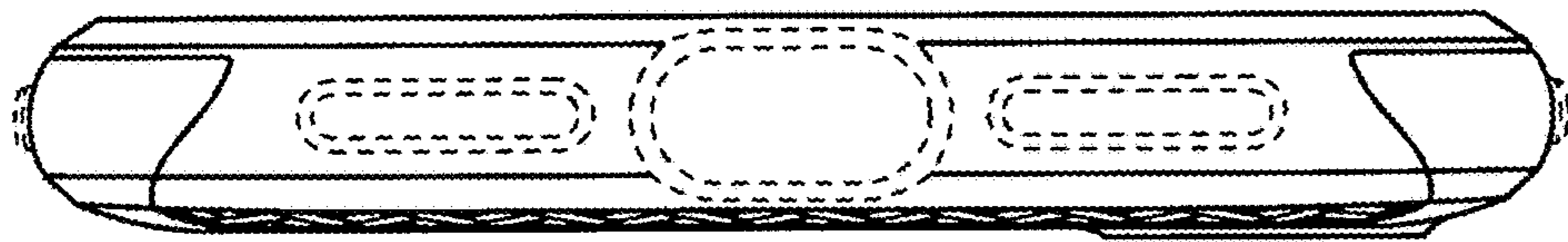


FIG. 9

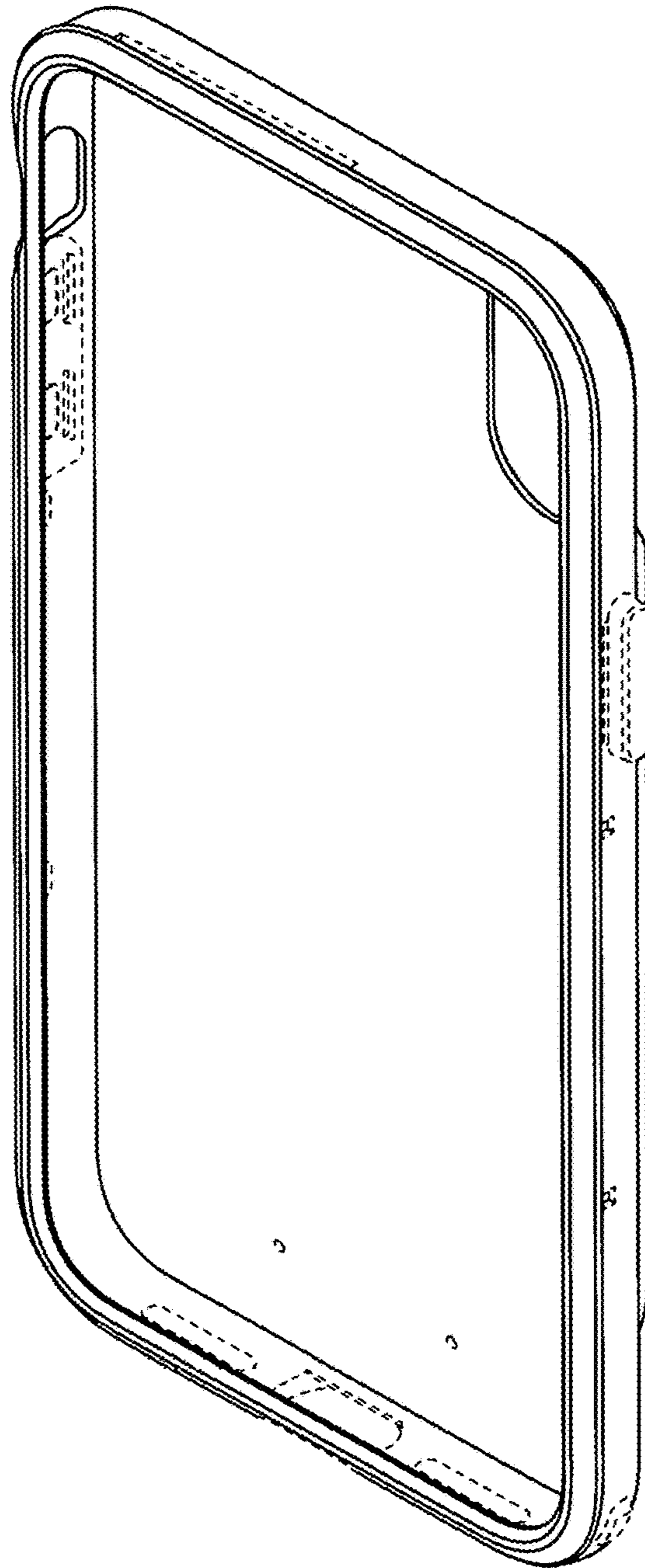


FIG. 10

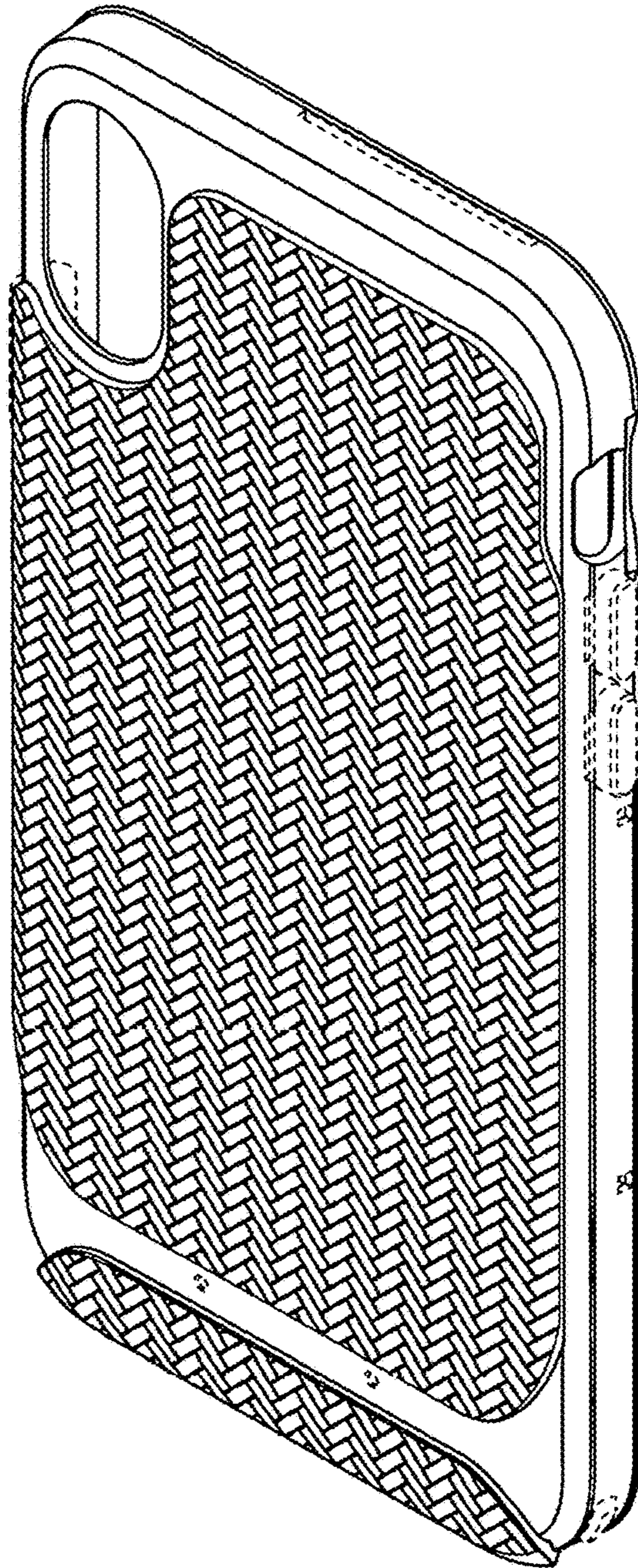


FIG. 11

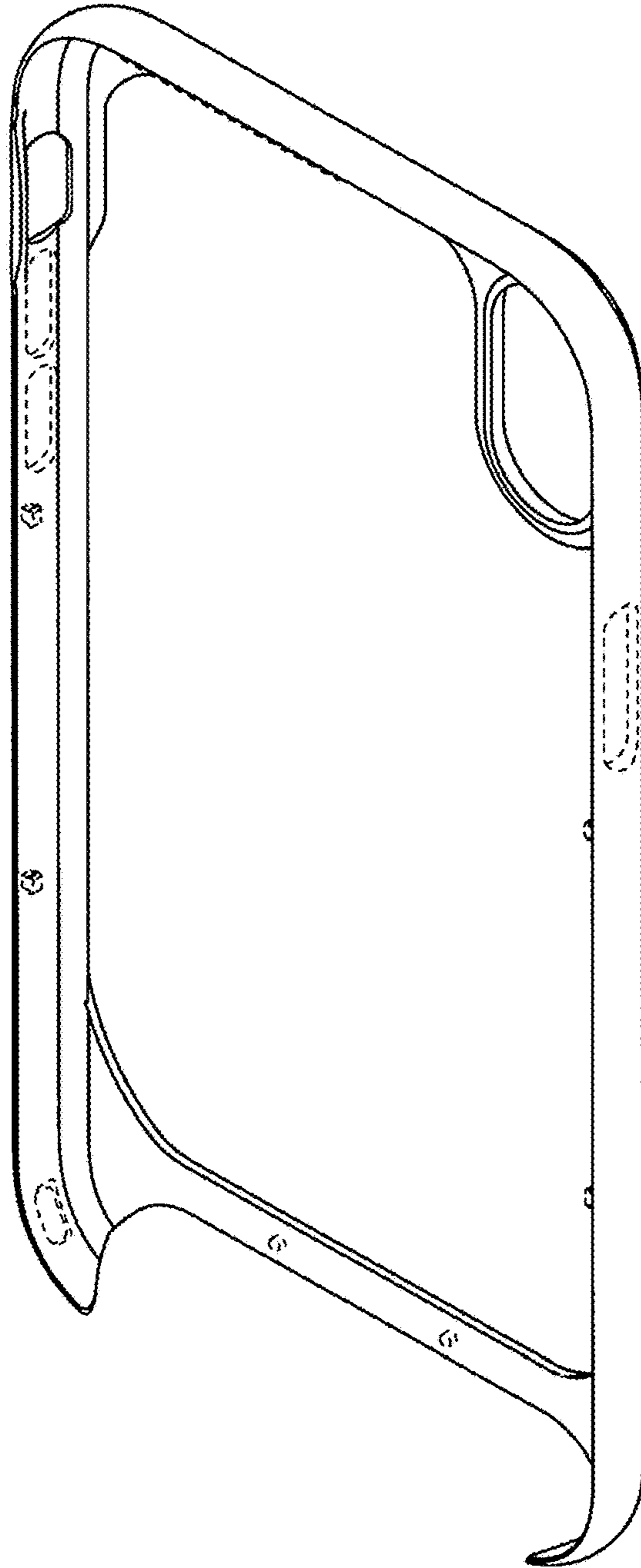


FIG. 12

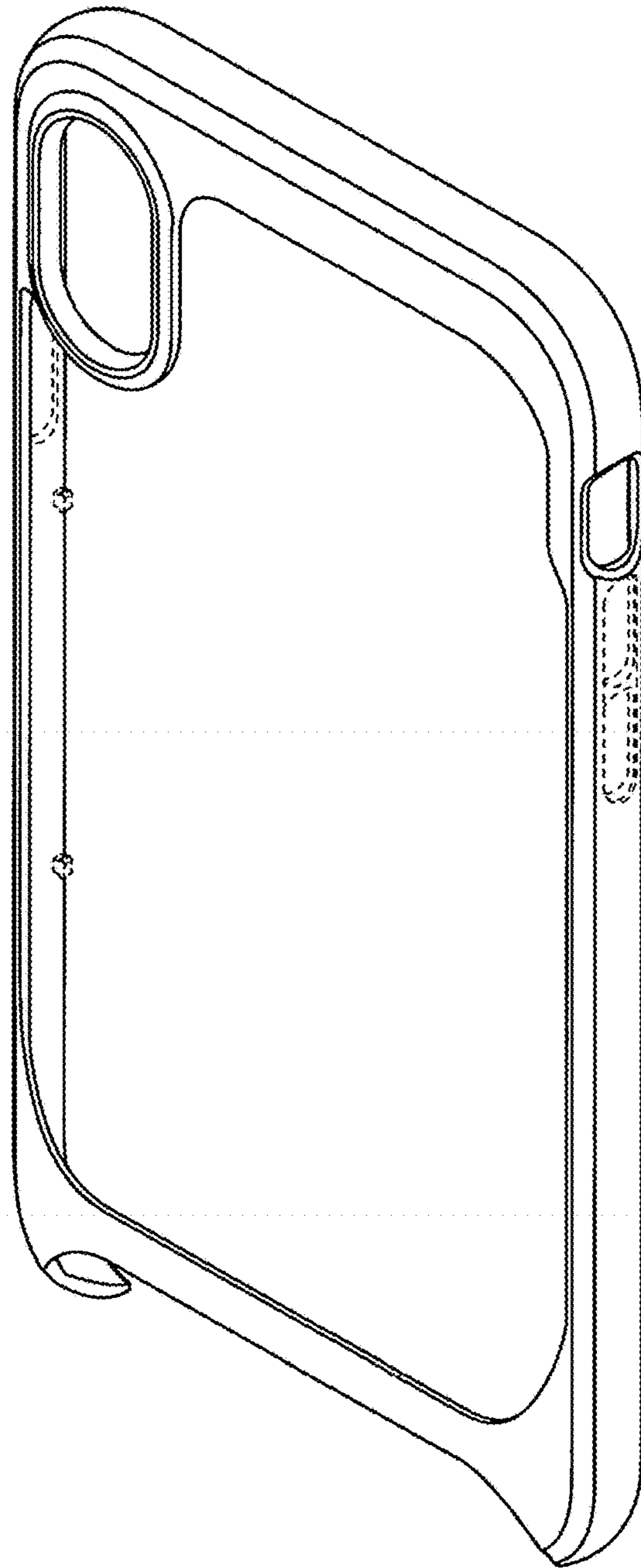


FIG. 13

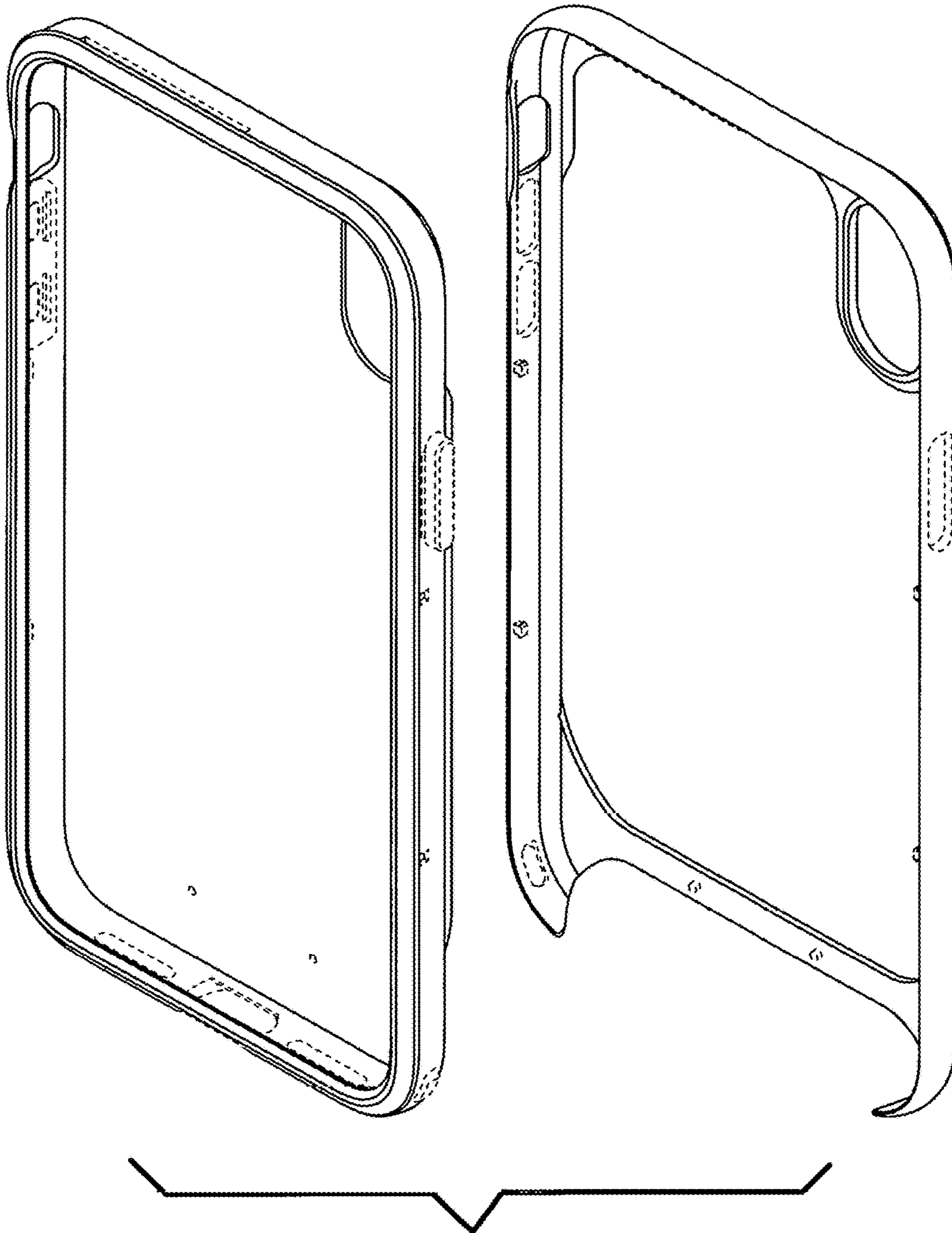




FIG. 14

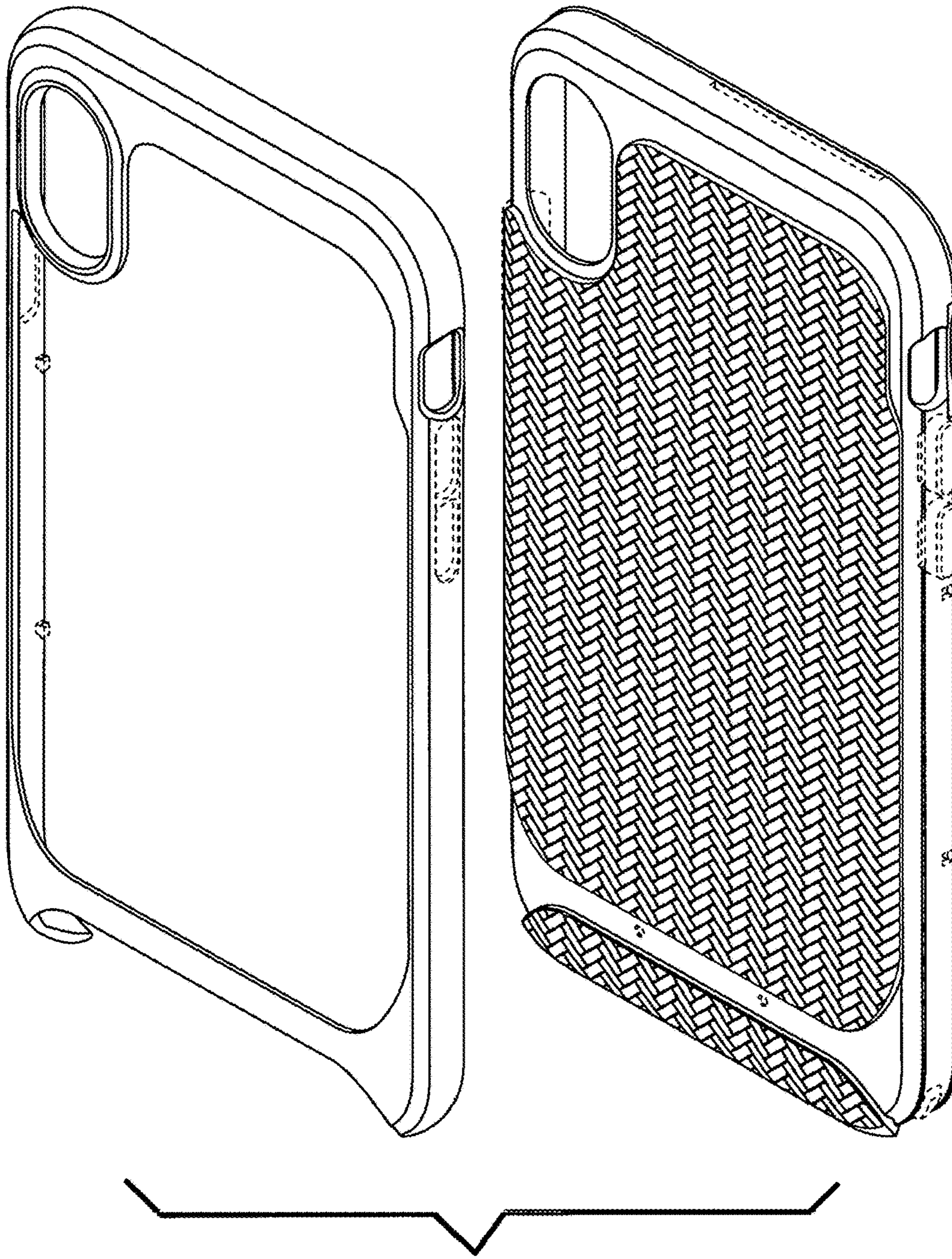


FIG. 15

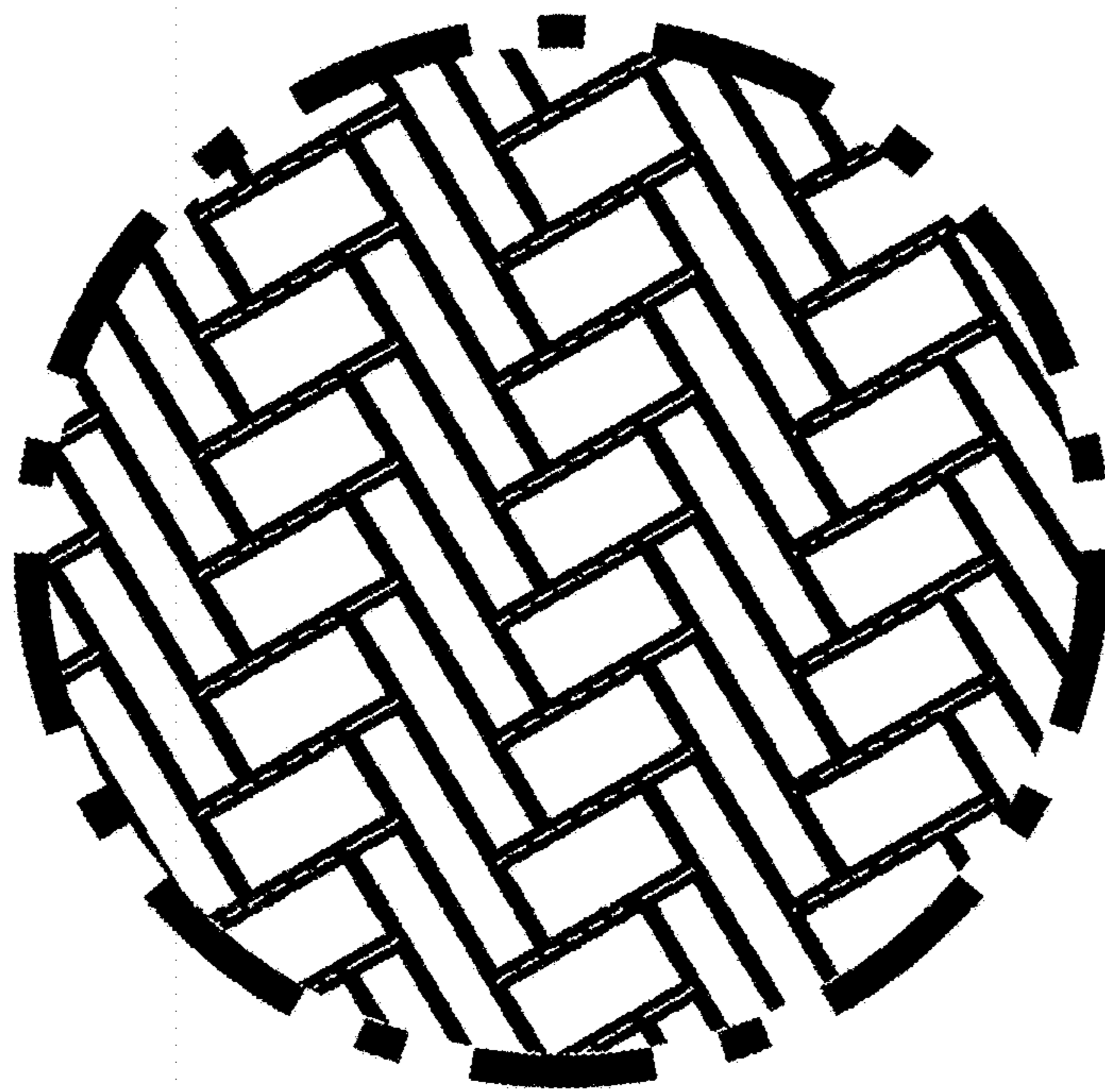


FIG. 16

