



US00D852175S

(12) **United States Design Patent**  
**Morita**

(10) **Patent No.:** **US D852,175 S**  
(45) **Date of Patent:** **\*\* Jun. 25, 2019**

(54) **MONITOR STAND**

CPC ..... A47B 43/00; G03B 1/00  
See application file for complete search history.

(71) Applicant: **Okamura Corporation**, Yokohama-shi,  
Kanagawa (JP)

(56) **References Cited**

(72) Inventor: **Sayaka Morita**, Yokohama (JP)

U.S. PATENT DOCUMENTS

(73) Assignee: **Okamura Corporation**, Yokohama-shi,  
Kanagawa (JP)

D333,933 S *	3/1993	Feinbloom	.....	D6/681
D615,072 S *	5/2010	Saitou	.....	D14/239
D643,027 S *	8/2011	Calco	.....	D14/239
D721,159 S *	1/2015	Reneau	.....	D22/108
D742,863 S *	11/2015	Aoyagi	.....	D14/239
D784,998 S *	4/2017	Cutler	.....	D14/447

(\*\*) Term: **15 Years**

\* cited by examiner

(21) Appl. No.: **29/642,034**

(22) Filed: **Mar. 27, 2018**

*Primary Examiner* — Randall H Gholson

(30) **Foreign Application Priority Data**

(74) *Attorney, Agent, or Firm* — Sughrue Mion, PLLC

Sep. 28, 2017 (JP) ..... 2017-021367

(51) **LOC (11) Cl.** ..... **14-03**

(52) **U.S. Cl.**  
USPC ..... **D14/239**

(57) **CLAIM**

The ornamental design for a monitor stand, as shown and described.

(58) **Field of Classification Search**

USPC ..... D14/239, 371, 136, 374-377; D8/363,  
D8/373, 349, 394; 248/465, 917-924,  
248/123.11; 348/825, 827, 836, 837, 838,  
348/180, 184, 325, 739; 600/443;  
D6/477-479, 407, 474, 460, 461, 468;  
312/7.2; 341/12; 345/87, 104, 133, 156,  
345/168, 169, 173; 720/605, 669, 600,  
720/655; 369/99, 197; 455/344-347;  
349/1, 2, 11, 62; 108/59, 91, 92, 96;  
211/40, 41.12, 42, 49.1, 50, 85.2, 90.04,  
211/187, 190, 119.003, 134.153, 87.01,  
211/71.01

**DESCRIPTION**

FIG. 1 is a front perspective view of a monitor stand.  
FIG. 2 is a rear perspective view thereof.  
FIG. 3 is a front elevation view thereof.  
FIG. 4 is a rear elevation view thereof.  
FIG. 5 is a right side elevation view thereof. The left side elevation view is a mirror image of the right side elevation view.  
FIG. 6 is a top plan view thereof.  
FIG. 7 is a bottom plan view thereof; and,  
FIG. 8 is a referential view showing use with a monitor.  
The broken lines shown in the drawings illustrate portions of the monitor stand that form no part of the claimed design.

**1 Claim, 8 Drawing Sheets**

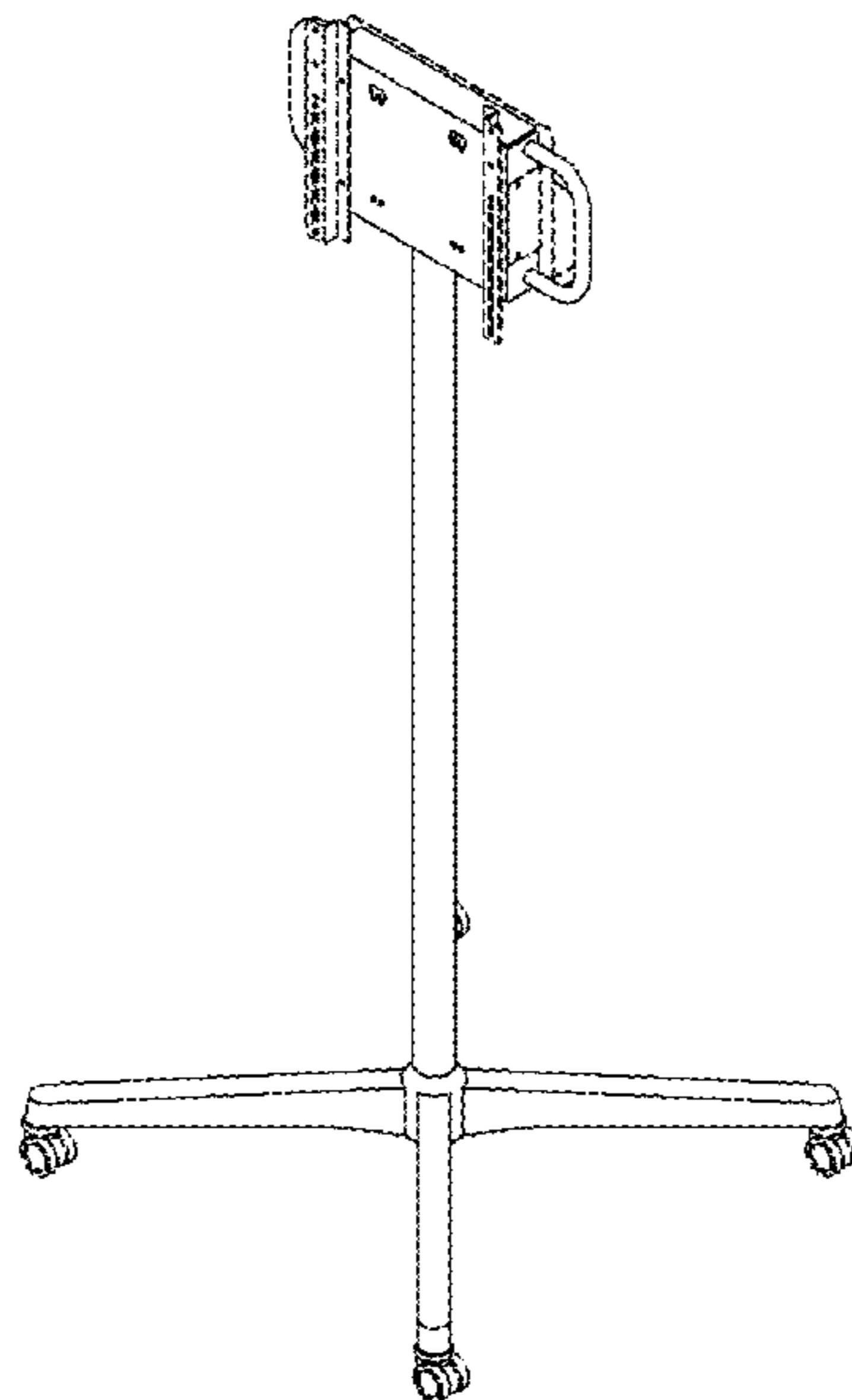


FIG. 1

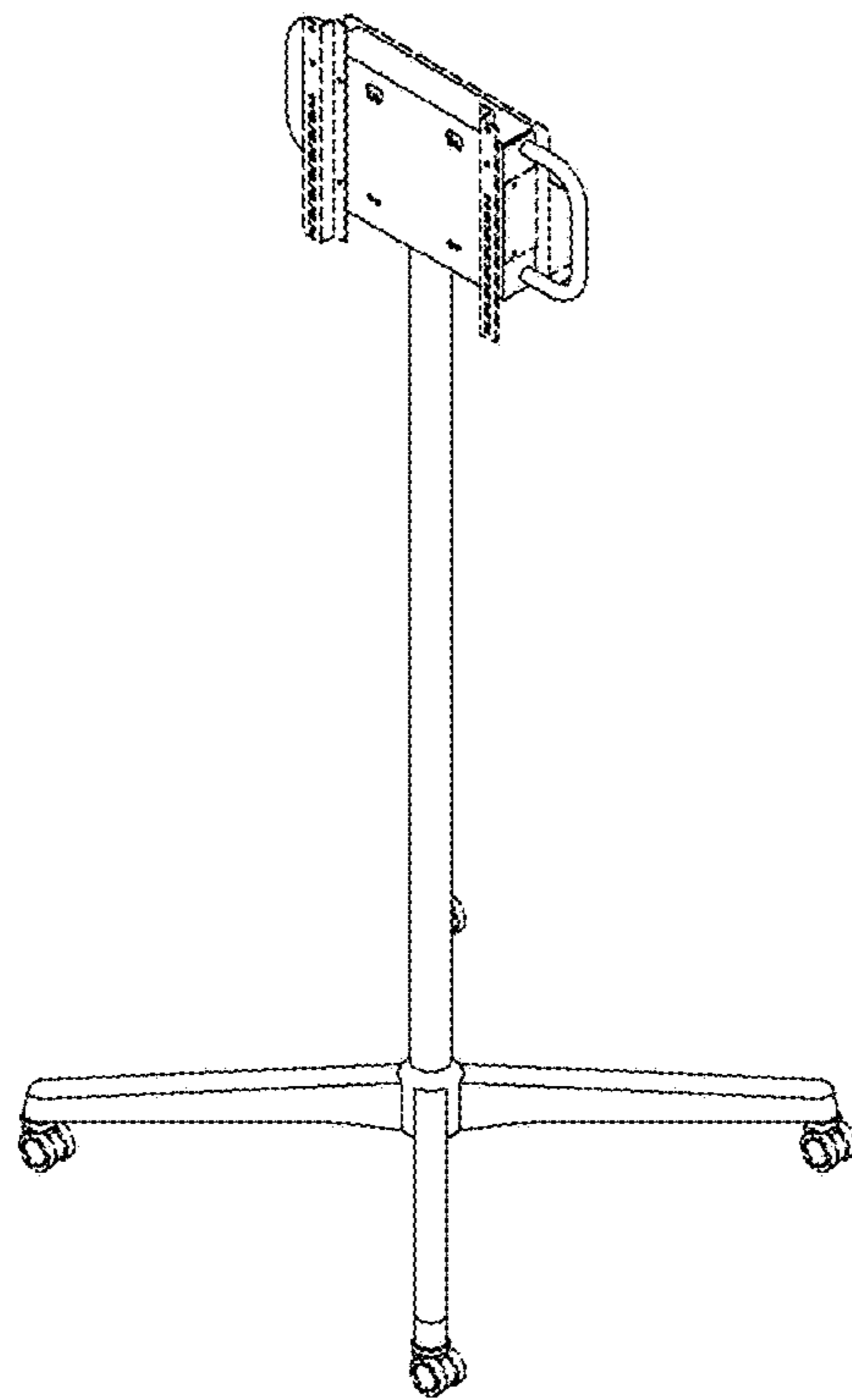


FIG. 2

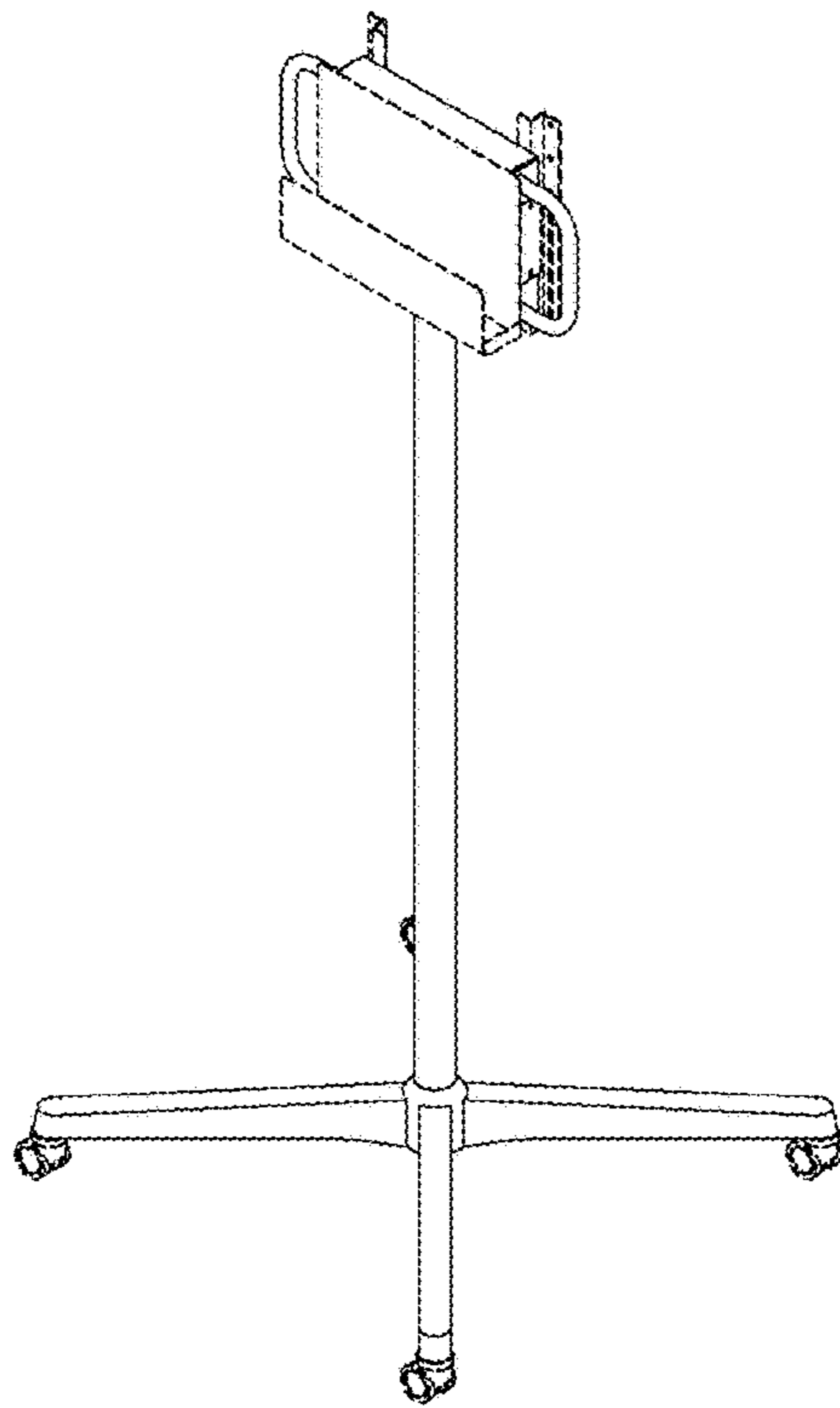


FIG. 3

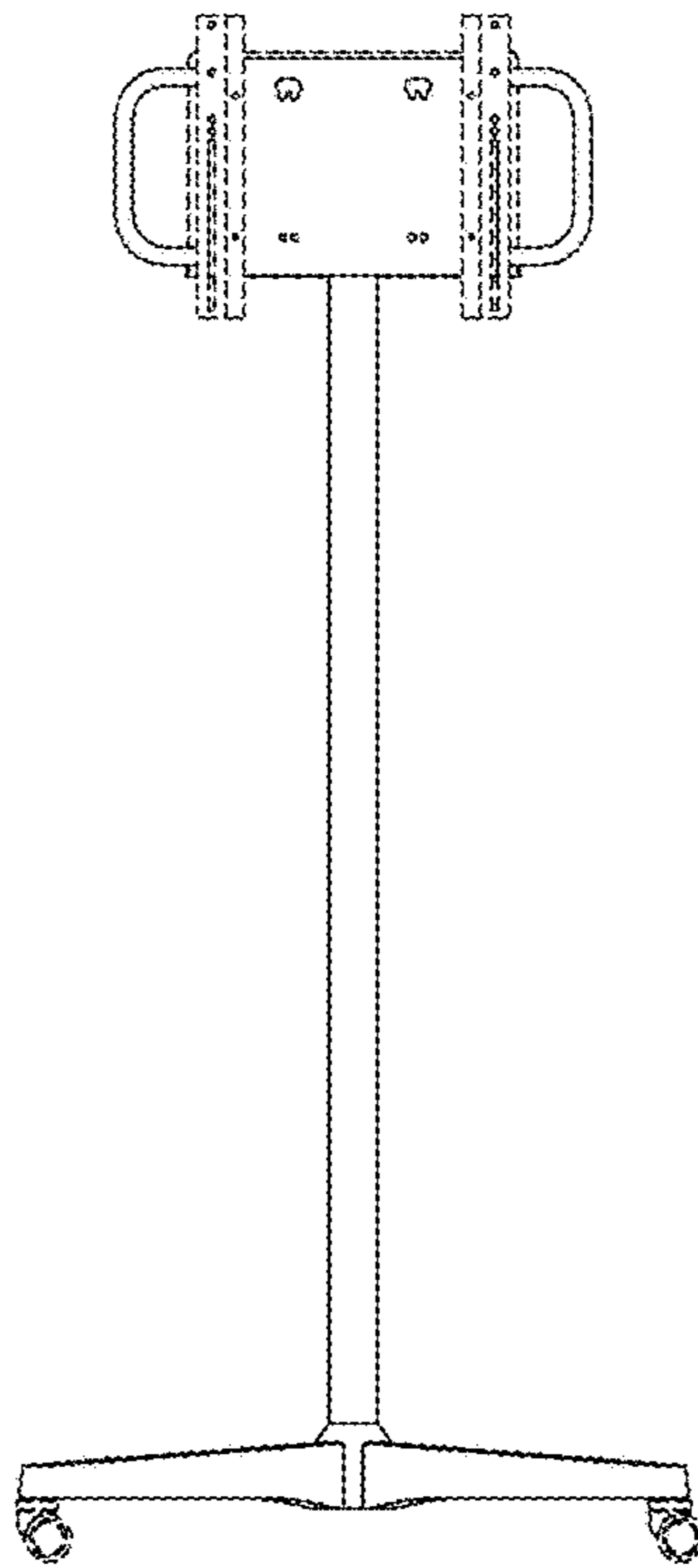


FIG. 4

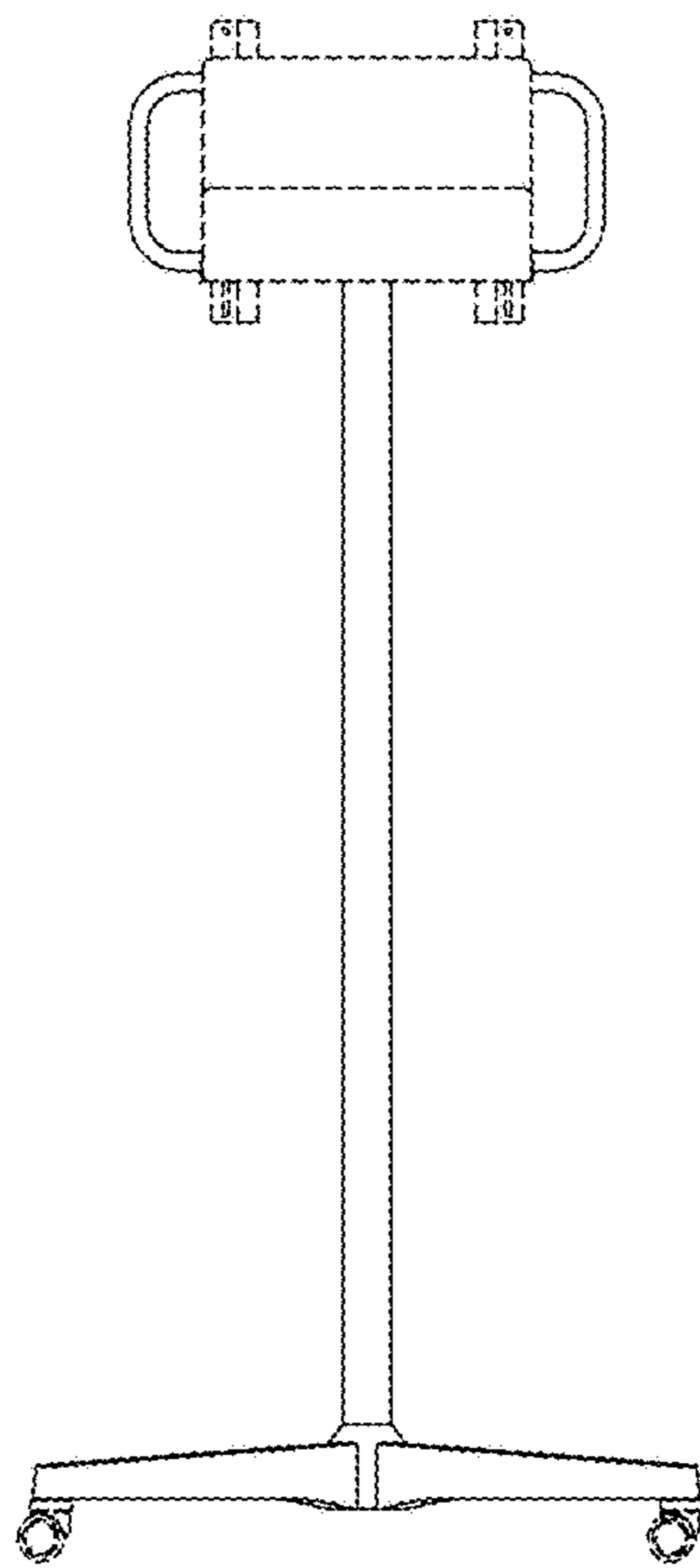


FIG. 5

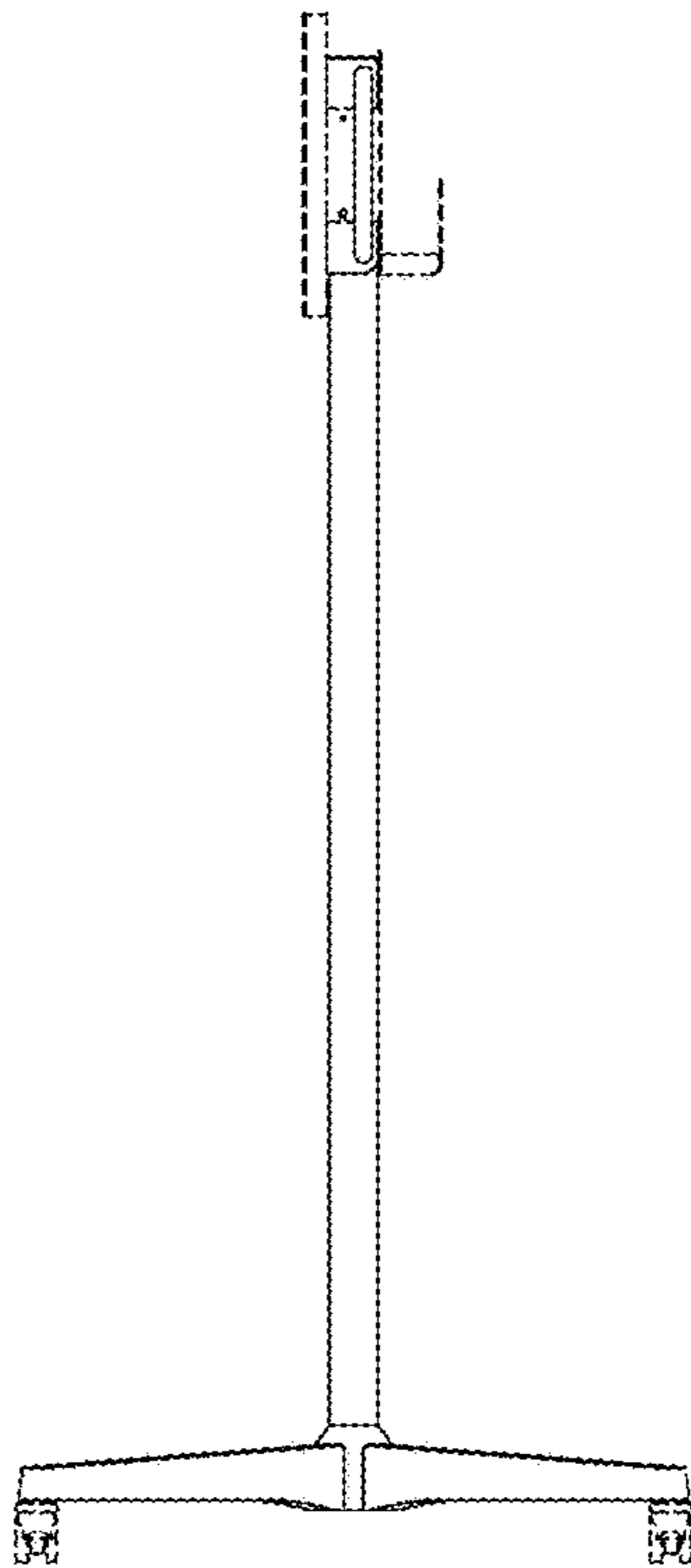


FIG. 6

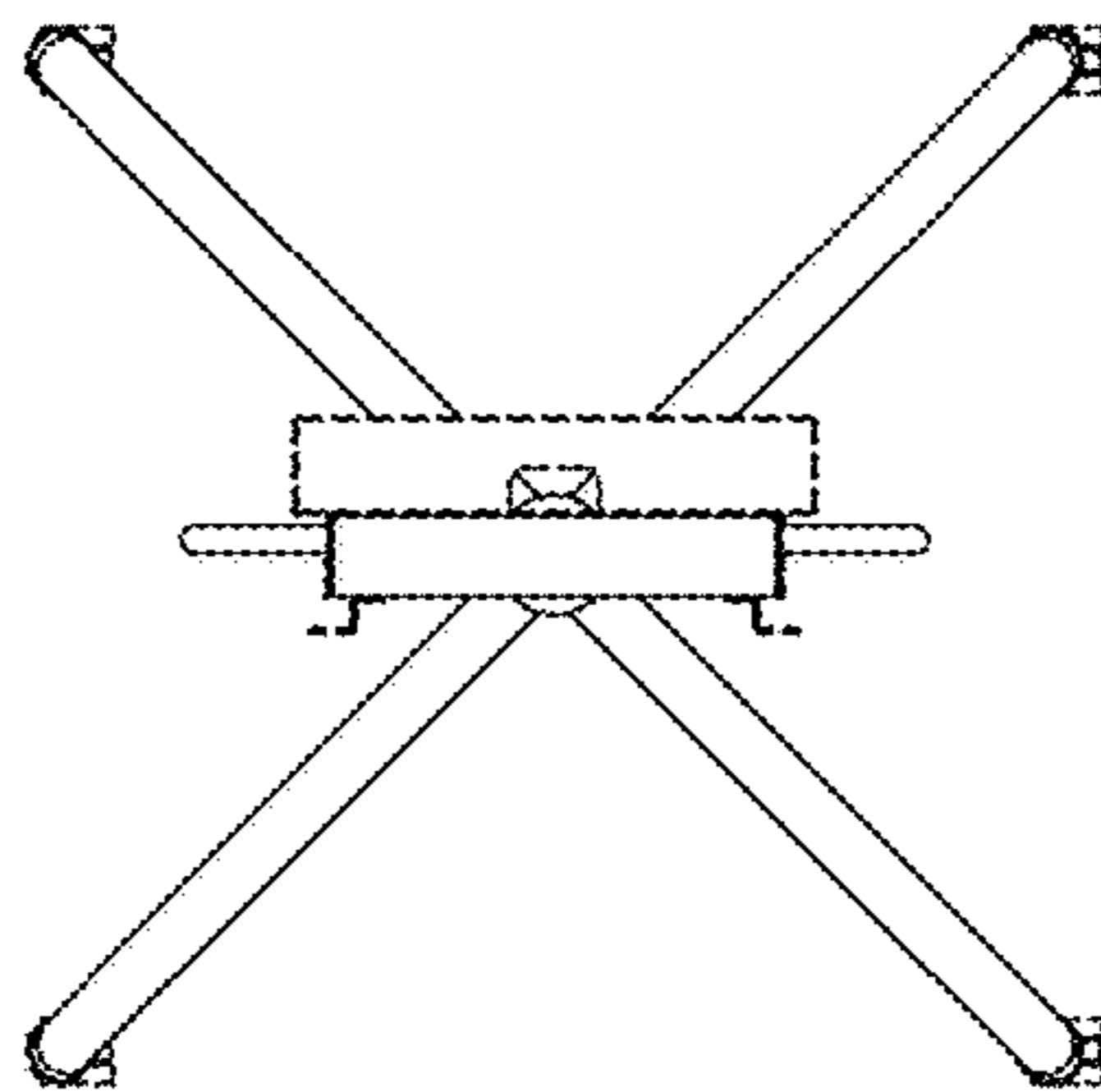


FIG. 7

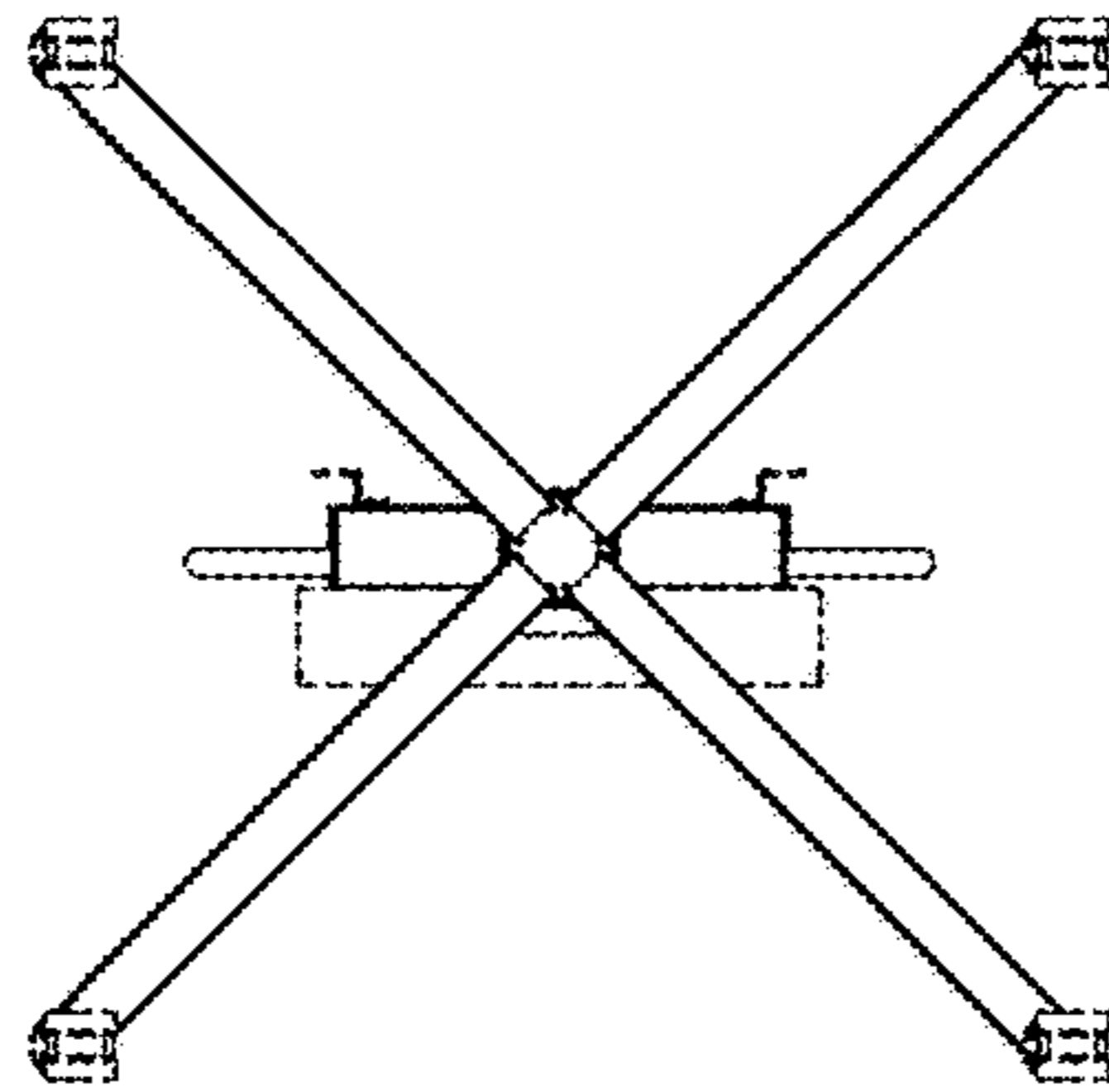




FIG. 8

