



US00D852173S

(12) **United States Design Patent**
Ni

(10) **Patent No.:** **US D852,173 S**

(45) **Date of Patent:** **** Jun. 25, 2019**

(54) **MOUNT ADAPTER FOR MONITOR**

D684,147 S * 6/2013 Stifal D14/239
D694,739 S * 12/2013 Badillo D14/239
D776,095 S * 1/2017 Brown D14/239

(71) Applicant: **Ximing Ni**, Fremont, CA (US)

* cited by examiner

(72) Inventor: **Ximing Ni**, Fremont, CA (US)

(**) Term: **15 Years**

Primary Examiner — Randall H Gholson

(21) Appl. No.: **29/638,796**

(74) *Attorney, Agent, or Firm* — Leon E. Jew; Dahyee Law Group

(22) Filed: **Mar. 1, 2018**

(51) **LOC (11) Cl.** **14-03**

(52) **U.S. Cl.**
USPC **D14/239**

(57) **CLAIM**

(58) **Field of Classification Search**

The ornamental design of a mount adapter for monitor, as shown and described.

USPC D14/125-134, 239, 371, 136, 374-377,
D14/440, 450, 448, 336, 342, 159;
312/7.2; 348/836, 838, 180, 184, 325,
348/739; 248/917-924, 465; 345/104,
345/133, 156, 168, 87, 173; D21/329,
D21/515, 577, 622, 333, 433, 448, 452,
D21/450, 331, 505; D10/15, 26;
446/484, 175, 356; D6/477, 479, 300;
D20/10, 19, 39; D16/203, 241; 160/24
CPC G06F 1/1601; G06F 1/1643; G06F 1/1652;
G06F 1/1647; G06F 3/0412; H05K 5/004;
H05K 5/0017; H05K 5/02; H05K 5/0217;
H04N 13/0459

DESCRIPTION

See application file for complete search history.

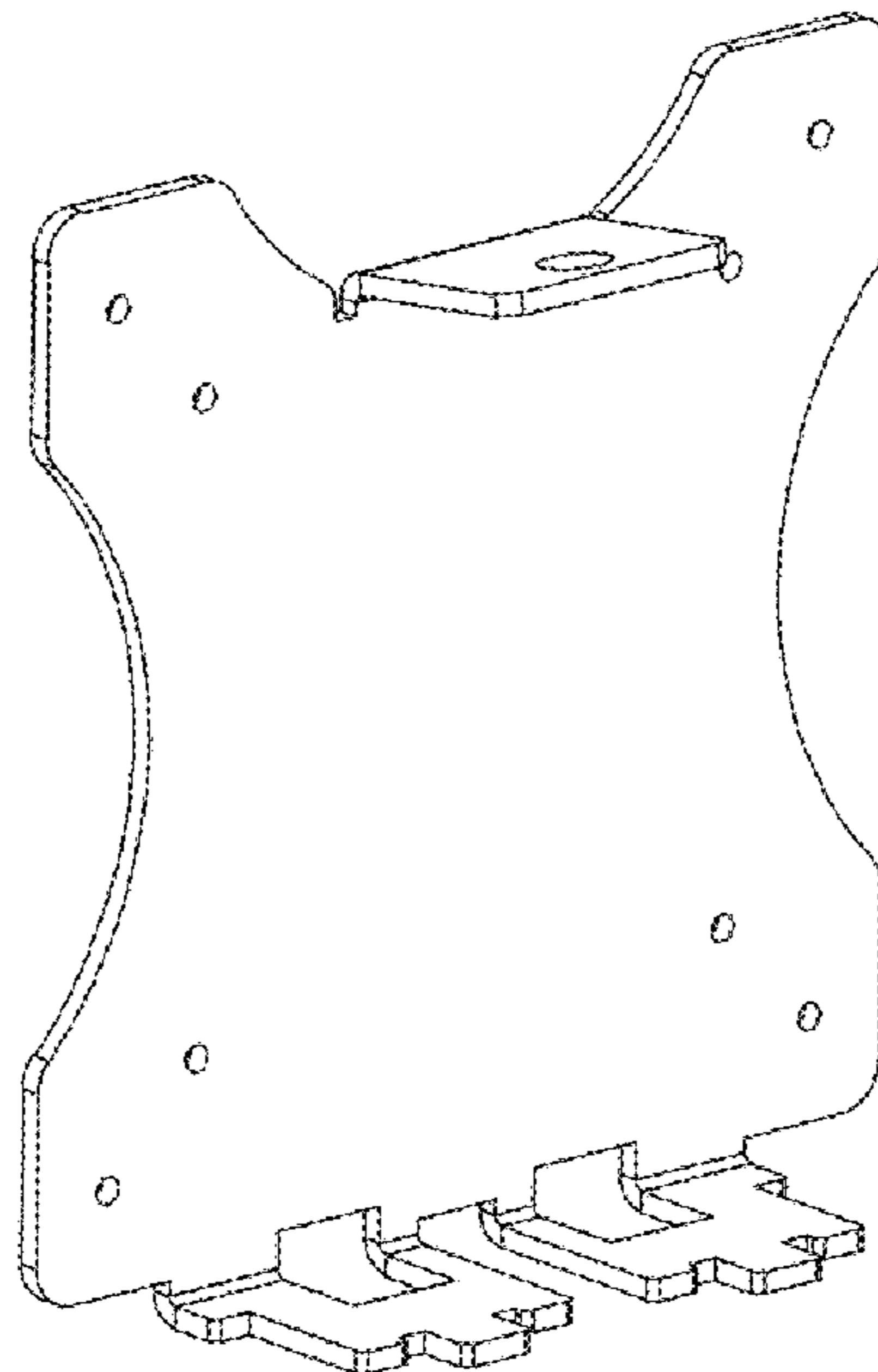
FIG. 1 is a first perspective view of a mount adapter for monitor shown as a new design;
FIG. 2 is a second perspective view thereof;
FIG. 3 is a third perspective view thereof;
FIG. 4 is a front view thereof;
FIG. 5 is a rear view thereof;
FIG. 6 is a top view thereof;
FIG. 7 is a bottom view thereof;
FIG. 8 is a left side thereof; and,
FIG. 9 is a right side view thereof.

(56) **References Cited**

U.S. PATENT DOCUMENTS

6,315,489 B1 * 11/2001 Watanabe E04F 13/0846
403/381
D626,407 S * 11/2010 Tedesco D8/380

1 Claim, 4 Drawing Sheets



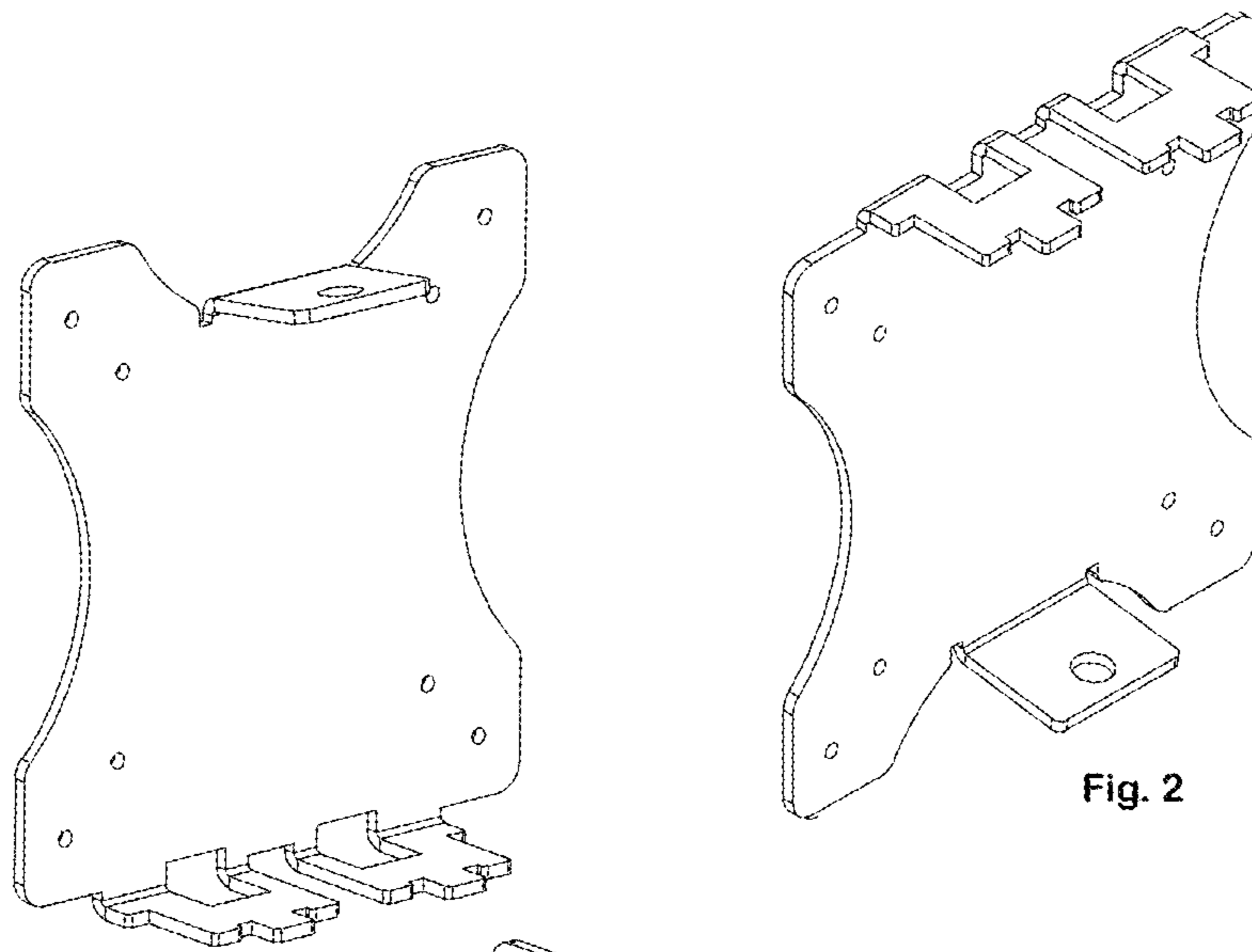


Fig. 1

Fig. 2

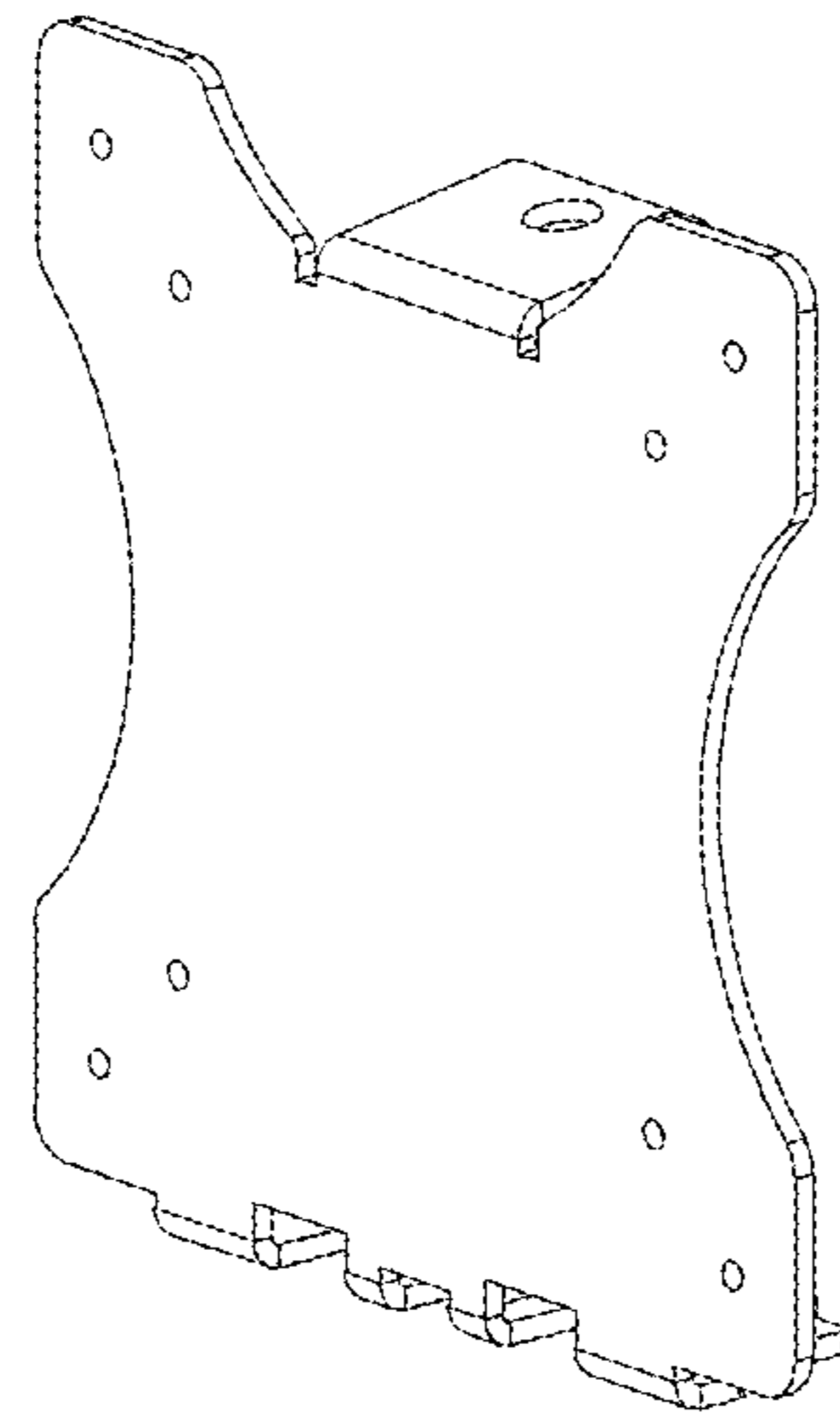


Fig. 3

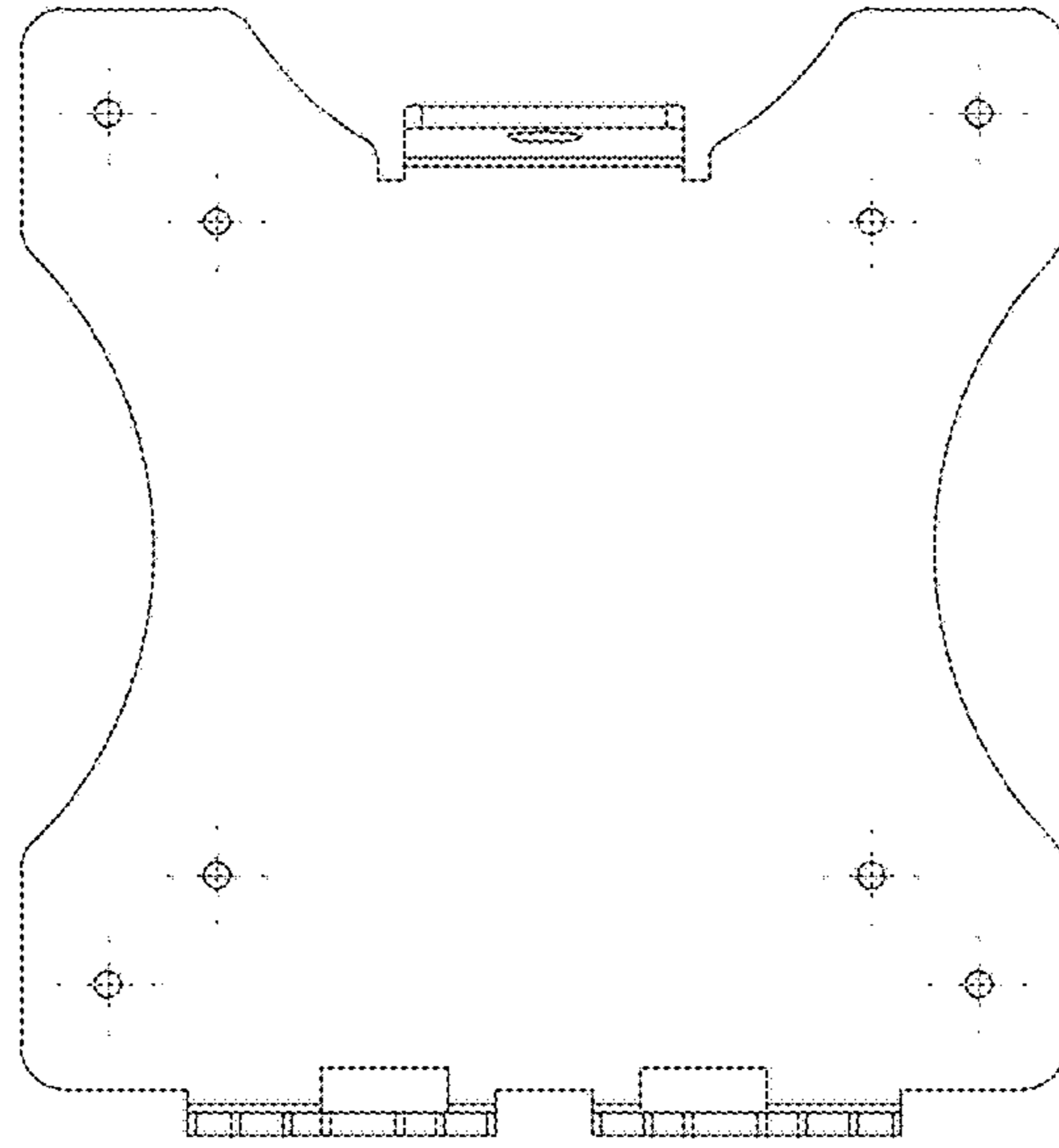


Fig. 4

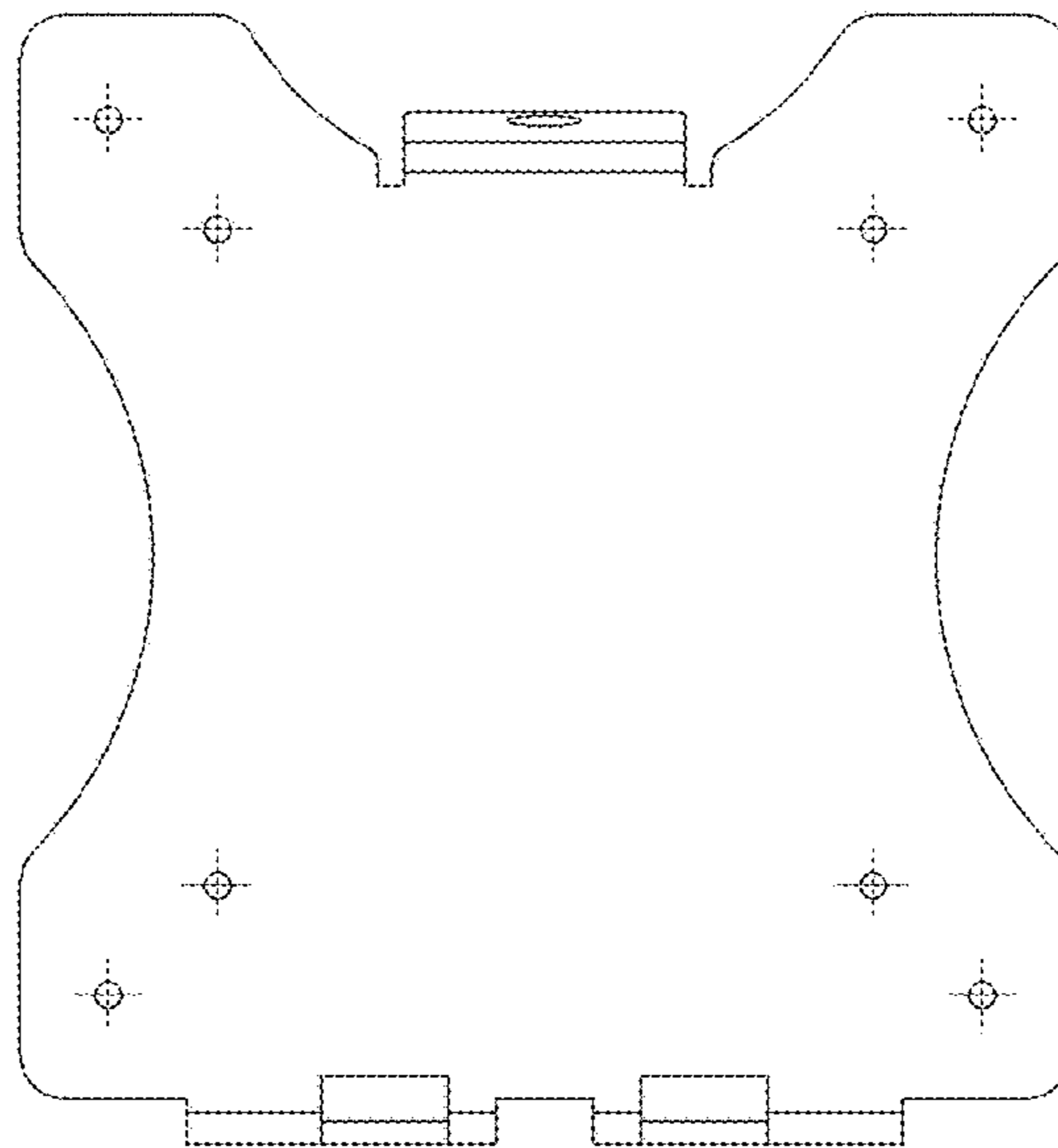


Fig. 5

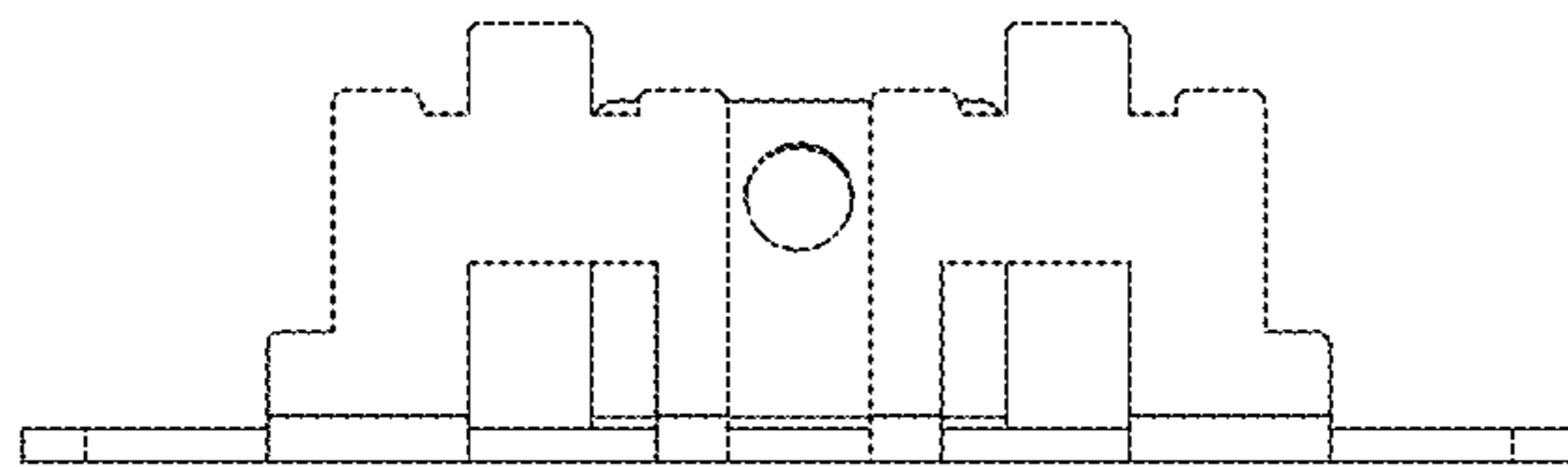


Fig. 6

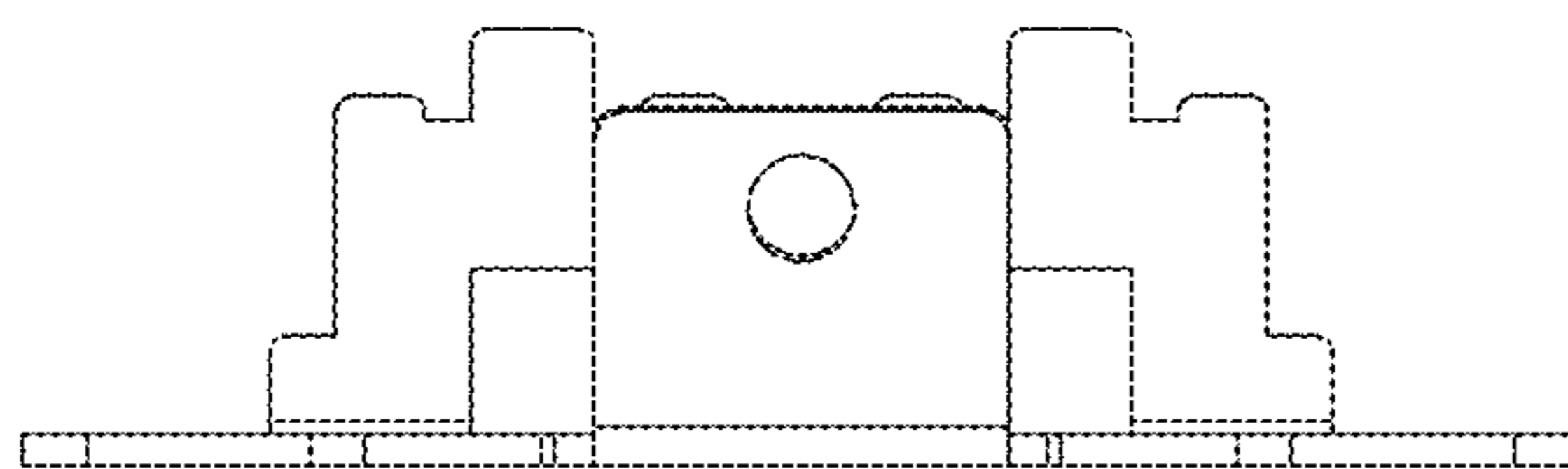


Fig. 7

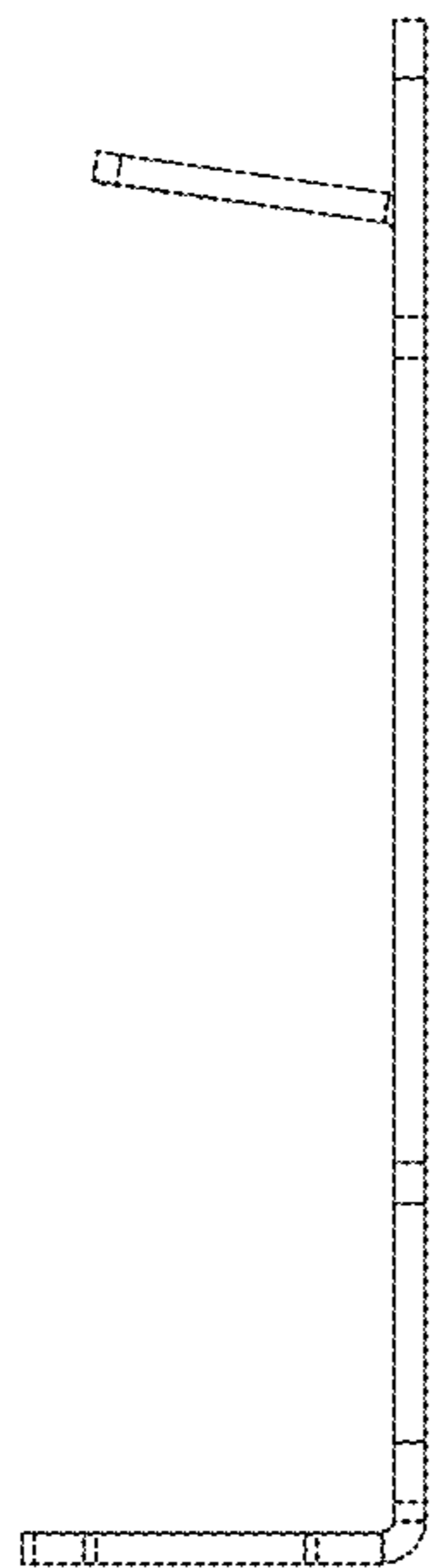


Fig. 8

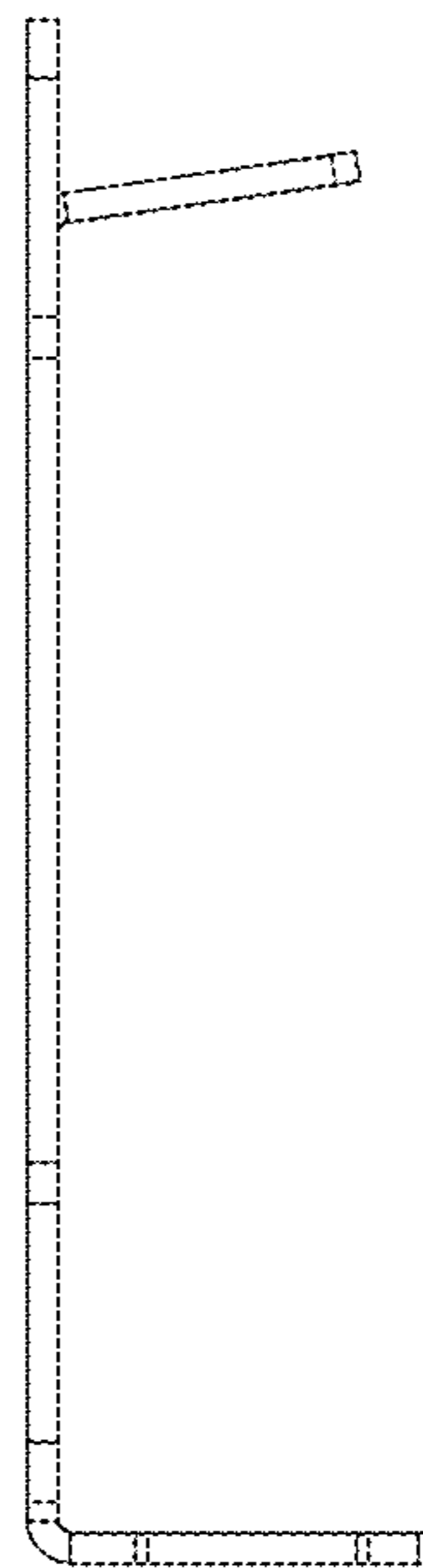


Fig. 9