



US00D852172S

(12) **United States Design Patent**
Wu

(10) **Patent No.:** **US D852,172 S**
(45) **Date of Patent:** **** Jun. 25, 2019**

- (54) **HDTV ANTENNA**
- (71) Applicant: **Shenzhen BITECA Electron Co., Ltd.**,
Shenzhen, Guangdong (CN)
- (72) Inventor: **Fang Wu**, Guangdong (CN)
- (73) Assignee: **Shenzhen BITECA Electron Co., Ltd.**,
Shenzhen (CN)
- (**) Term: **15 Years**
- (21) Appl. No.: **29/610,232**
- (22) Filed: **Jul. 11, 2017**
- (51) **LOC (11) Cl.** **14-03**
- (52) **U.S. Cl.**
USPC **D14/230**
- (58) **Field of Classification Search**
USPC D14/138, 230-238, 299, 358; D12/42,
D12/43
CPC H01Q 7/00; H01Q 13/10; H01Q 9/285;
H01Q 19/30; H01Q 19/12; H01Q 1/38;
H01Q 1/36; H01Q 2/0027; H01Q 1/48;
H01Q 9/045; H01Q 1/243; H04B 1/0475;
H04B 1/034; H05K 11/00
See application file for complete search history.

- (56) **References Cited**
U.S. PATENT DOCUMENTS
2,551,664 A * 5/1951 Galper H01Q 9/265
156/250
2,617,033 A * 11/1952 Posthumus H01Q 7/00
343/856
D170,203 S * 8/1953 Leonard D14/230
6,830,193 B2 * 12/2004 Tanaka G06K 19/0716
235/492
7,098,794 B2 * 8/2006 Lindsay G06K 19/0716
340/539.26
D529,000 S * 9/2006 Ishii D13/182

D534,135 S *	12/2006	Monique	D13/199
D543,976 S *	6/2007	Oliver	D14/230
D546,819 S *	7/2007	Oliver	D14/230
D548,225 S *	8/2007	Oliver	D14/230
D570,337 S *	6/2008	Oliver	D14/230
D591,734 S *	5/2009	Karakama	D14/230
D598,433 S *	8/2009	Schneider	D14/230
D614,174 S *	4/2010	Gladstone	D14/230
D761,736 S *	7/2016	Imai	D13/154
D770,403 S *	11/2016	McCauley	D13/182
D800,653 S *	10/2017	Smiedt	D13/107
D825,503 S *	8/2018	Yeng	D13/182
D827,620 S *	9/2018	Ross, III	D14/230
D837,769 S *	1/2019	Yang	D14/230
D838,695 S *	1/2019	Yang	D14/230
D841,607 S *	2/2019	Sunagawa	D13/182
2002/0067315 A1 *	6/2002	Kunysz	G03F 7/091 343/770
2004/0075616 A1 *	4/2004	Endo	G06K 19/0726 343/895
2005/0259030 A1 *	11/2005	Mizuno	H01Q 1/248 343/866

(Continued)

Primary Examiner — John Windmuller

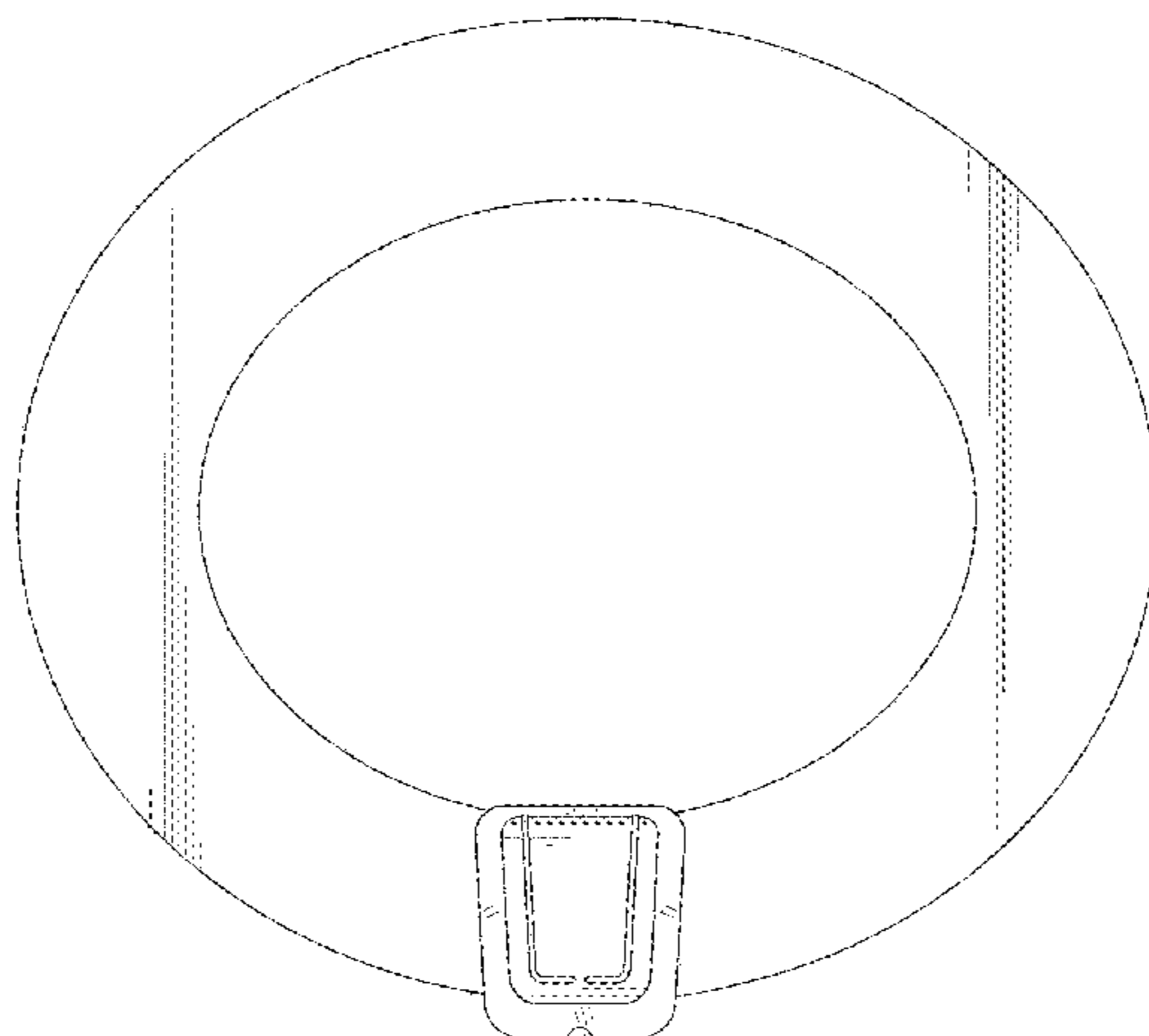
(57) **CLAIM**

The ornamental design for an HDTV antenna, as shown and described.

DESCRIPTION

FIG. 1 is a first perspective view of an HDTV antenna showing my new design;
 FIG. 2 is a second perspective view thereof;
 FIG. 3 is a front elevational view thereof;
 FIG. 4 is a rear elevational view thereof;
 FIG. 5 is a left side view thereof;
 FIG. 6 is a right side view thereof;
 FIG. 7 is a top plan view thereof;
 FIG. 8 is a bottom plan view thereof; and,
 FIG. 9 is an enlarged view of portion 9 of FIG. 5.

1 Claim, 9 Drawing Sheets



(56)

References Cited

U.S. PATENT DOCUMENTS

2006/0033665 A1* 2/2006 Yang H01Q 9/0414
343/700 MS
2006/0164304 A1* 7/2006 Huang H01Q 9/0414
343/700 MS
2007/0040876 A1* 2/2007 Anderson B41J 2/17546
347/86
2007/0069955 A1* 3/2007 McCorkle H01Q 9/40
343/700 MS
2007/0200769 A1* 8/2007 Nakano H01Q 1/48
343/700 MS
2008/0024241 A1* 1/2008 Hata H01P 5/10
333/26
2009/0058732 A1* 3/2009 Nakano H01Q 1/48
343/700 MS
2012/0169553 A1* 7/2012 Nomura H01Q 1/38
343/741
2014/0292610 A1* 10/2014 Iwahashi H01Q 7/00
343/867

* cited by examiner

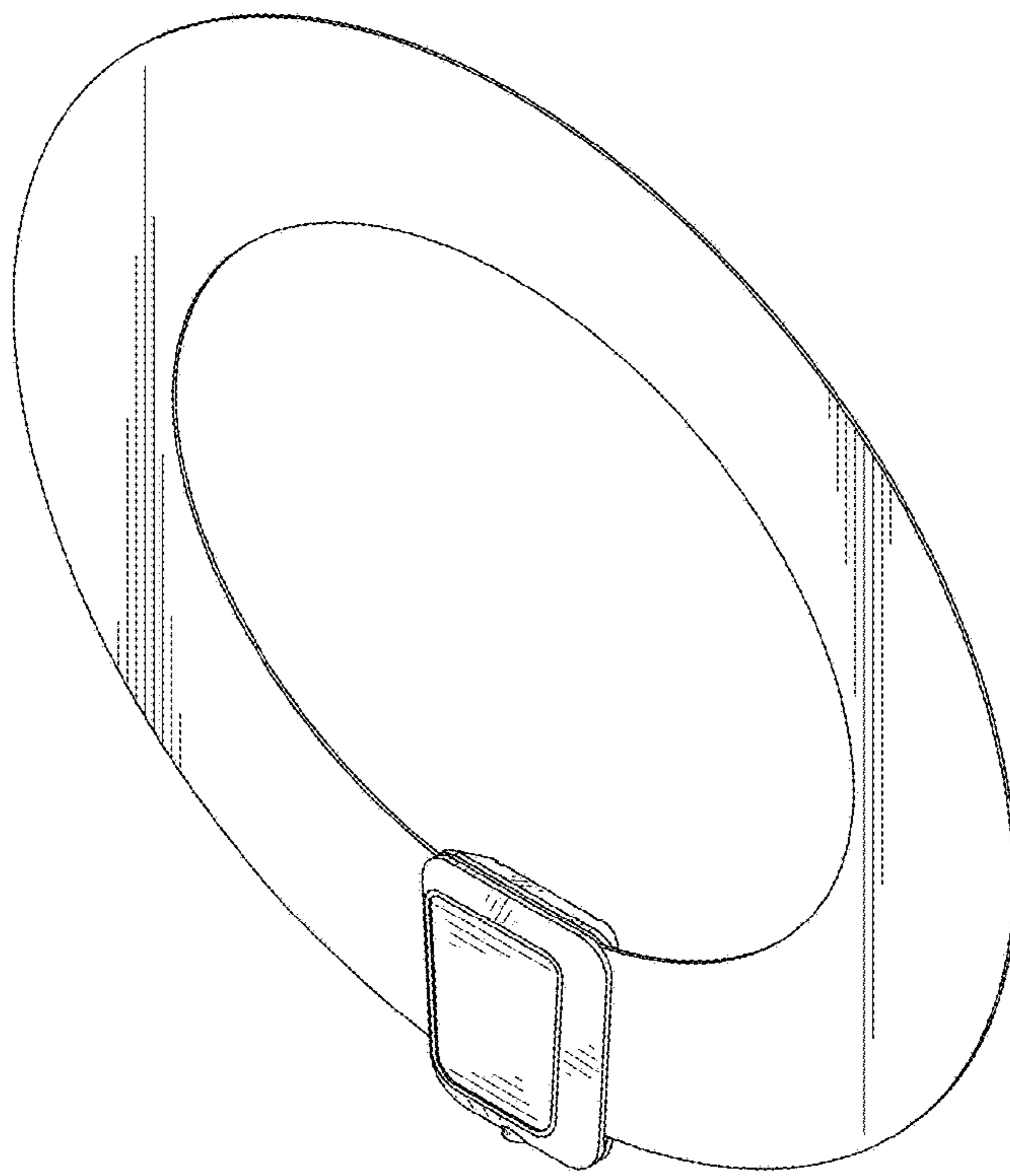


FIG. 1

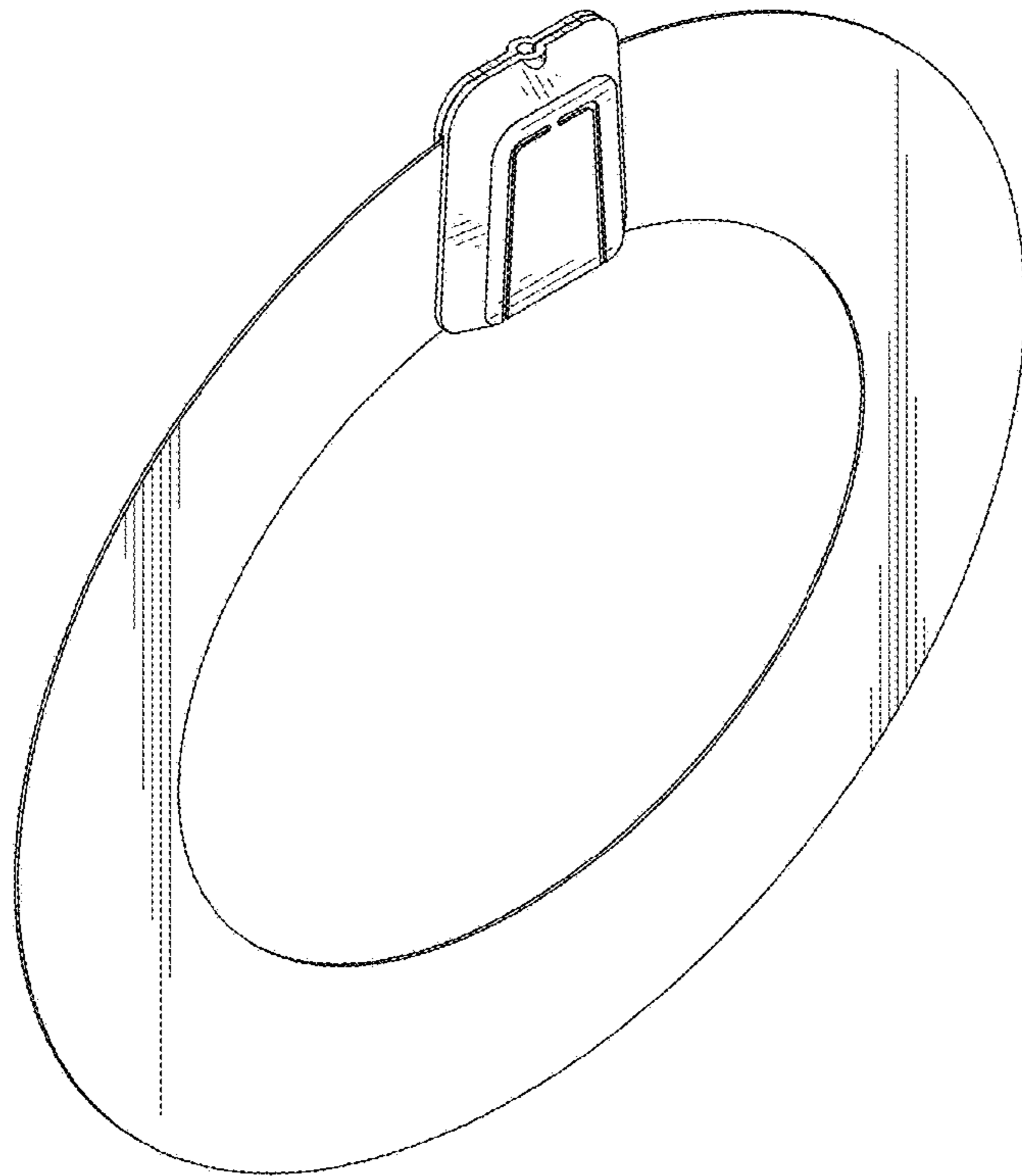


FIG. 2

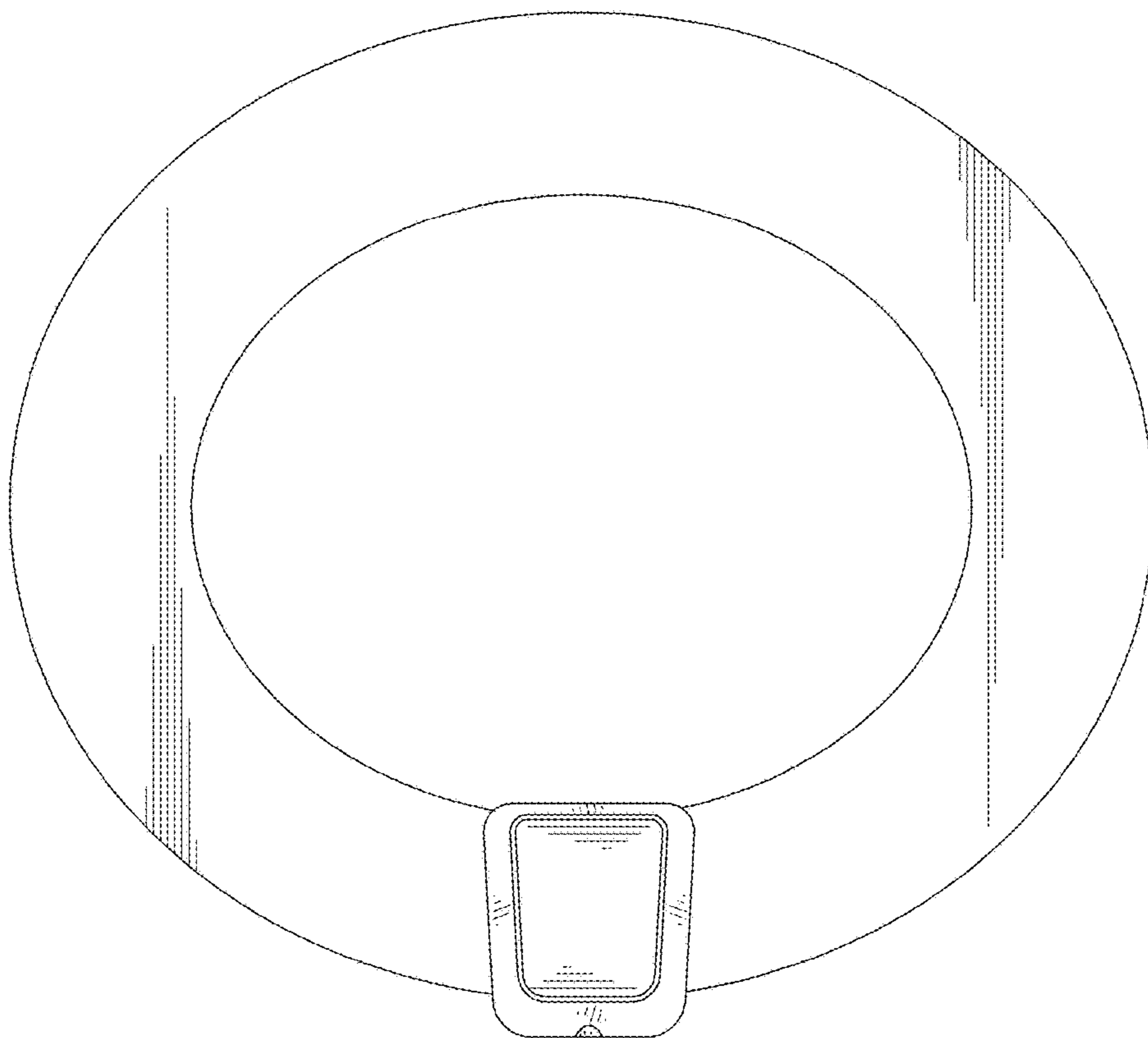


FIG. 3

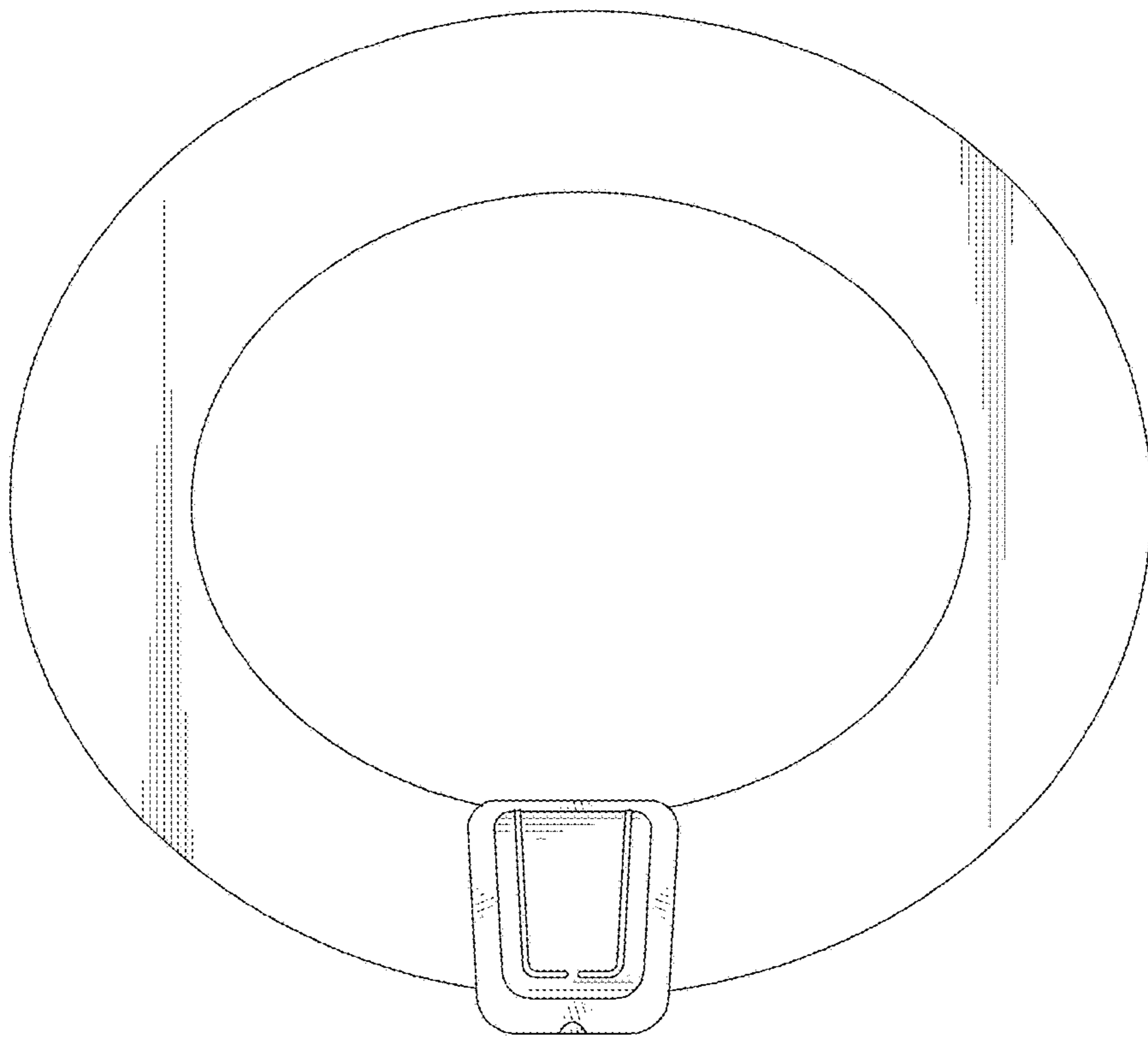


FIG. 4

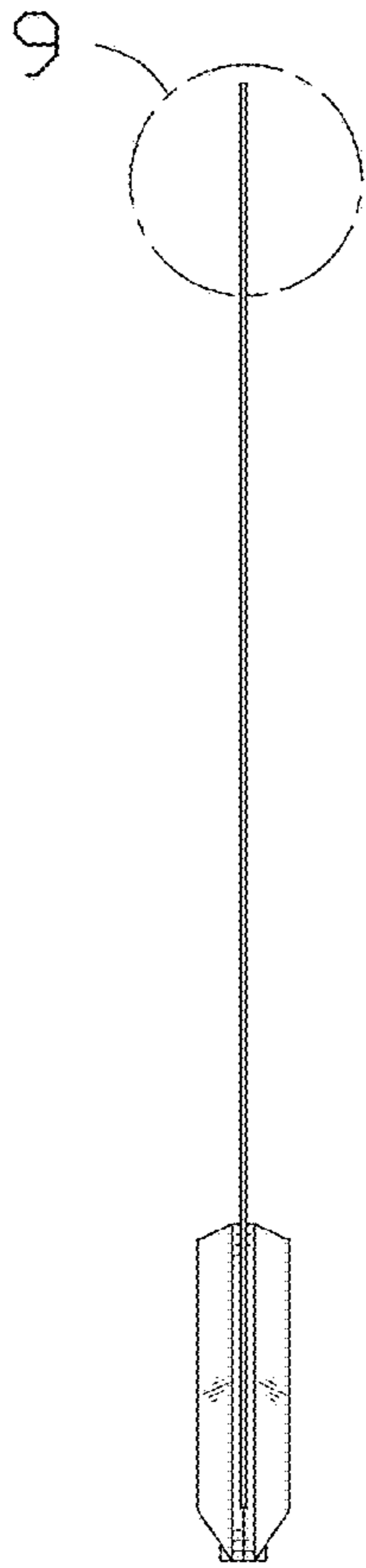


FIG. 5

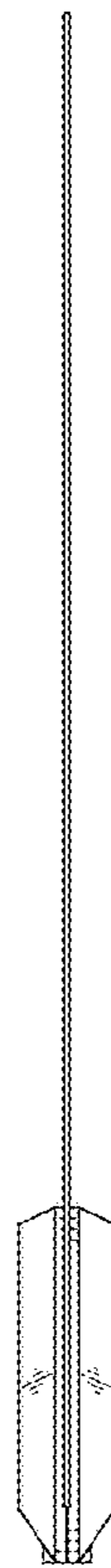


FIG. 6

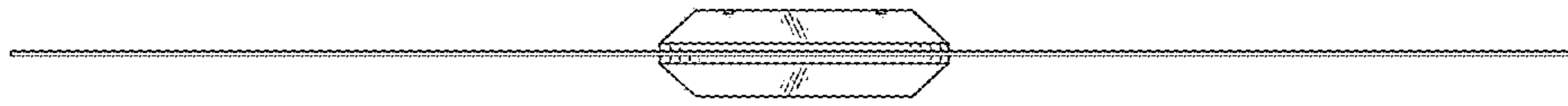


FIG. 7

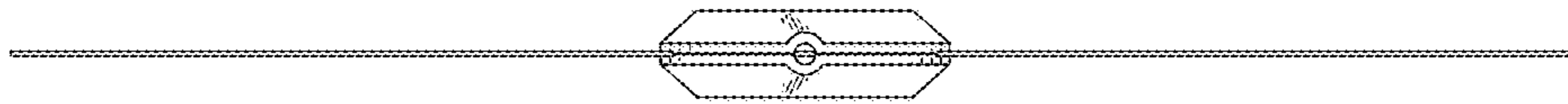


FIG. 8

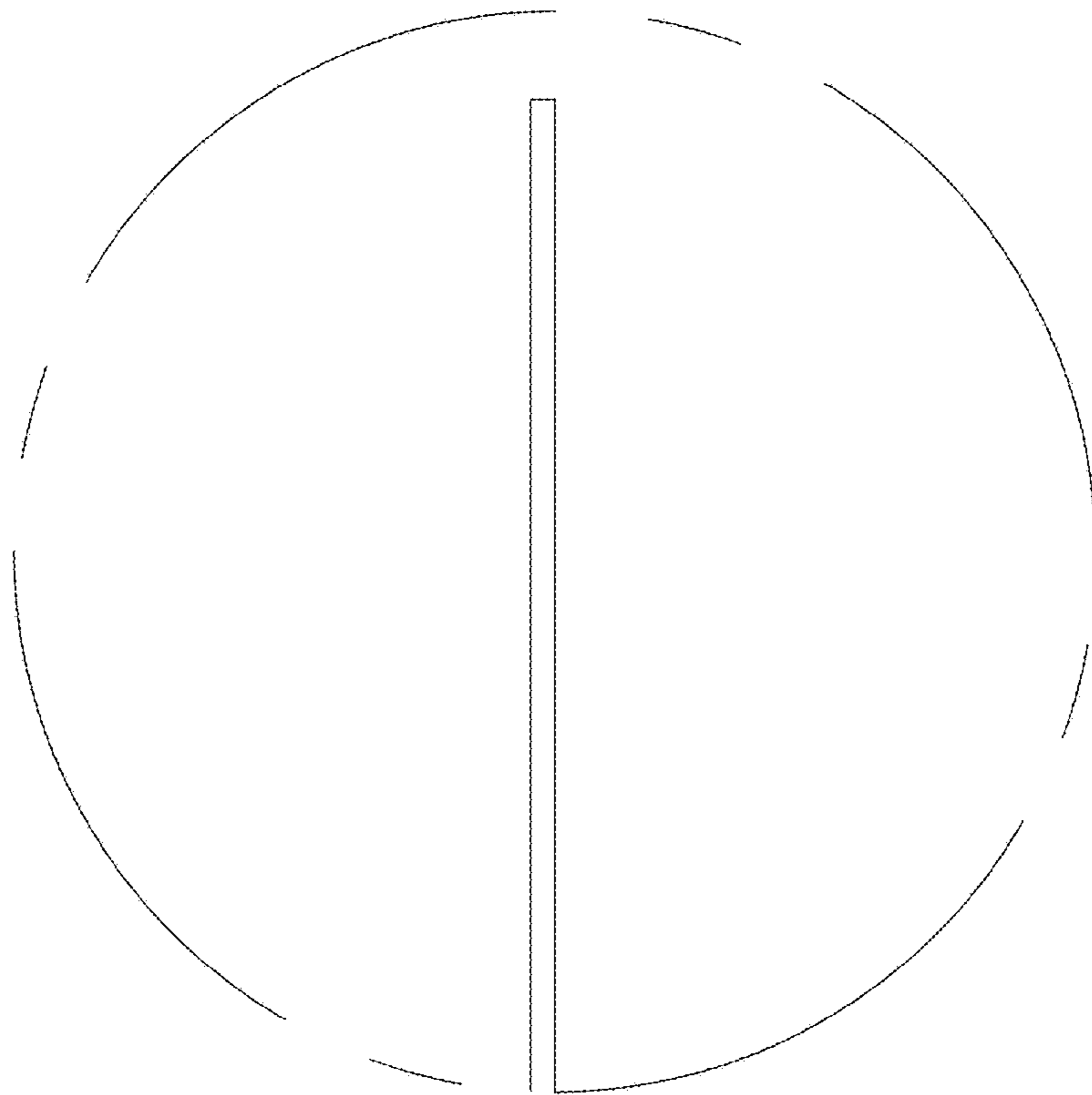


FIG. 9