



US00D852169S

(12) **United States Design Patent**
Chen

(10) **Patent No.:** **US D852,169 S**

(45) **Date of Patent:** **** Jun. 25, 2019**

(54) **PHASE PLUG FOR LOUDSPEAKER**

(71) Applicant: **Premium Loudspeakers (Hui Zhou) Co., Ltd.**, Huizhou (CN)

(72) Inventor: **Zhi Chen**, Huizhou (CN)

(73) Assignee: **PREMIUM LOUDSPEAKERS (HUI ZHOU) CO., LTD.**, Huizhou, Guangdong Province (CN)

(**) Term: **15 Years**

(21) Appl. No.: **29/634,475**

(22) Filed: **Jan. 22, 2018**

(30) **Foreign Application Priority Data**

Jul. 21, 2017 (CN) 2017 3 0325396

(51) **LOC (11) Cl.** **14-03**

(52) **U.S. Cl.**
USPC **D14/217**

(58) **Field of Classification Search**
USPC D14/217, 204, 210–216, 219–222, 168, D14/135

CPC H04R 2420/07; H04R 5/02; H04R 5/04; H04R 2420/01; H04R 3/00; H04R 3/12; H04R 1/025; H04R 1/028; H04R 1/105; H04R 1/24; H04R 2201/028; H04R 2205/024; H04R 2227/003; H04R 2499/15; H04R 27/00; H04R 3/005; H04R 3/14; H04R 17/02; H04R 1/02; H04R 1/021; H04R 1/023; H04R 1/04; H04R 1/06; H04R 1/1008; H04R 1/1016; H04R 1/1041; H04R 1/1066; H04R 1/1075; H04R 1/1083; H04R 1/1091; H04R 1/26; H04R 1/2803; H04R 1/345; H04R 1/403; H04R 1/406; H04R 2201/021; H04R 2201/023; H04R 2201/10; H04R 2201/105; H04R 201/401; H04R 2201/403; H04R 2201/405; H04R 2203/12; H04R 2225/43; H04R 2227/005;

H04R 2400/01; H04R 2400/03; H04R 2420/03; H04R 2420/05; H04R 2420/09; H04R 2430/01; H04R 2430/03; H04R 2460/13; H04R 25/00; H04R 25/353; H04R 29/00; H04R 29/004; H04R 29/007; H04R 31/00; H04R 31/006; H04R 3/04; H04R 5/027; H04R 5/033; H04R 5/0335; H04R 9/025; H04R 9/06

See application file for complete search history.

(56) **References Cited**

U.S. PATENT DOCUMENTS

D249,509	S *	9/1978	Henricksen	181/159
D357,678	S *	4/1995	Meyer	D14/137
D598,429	S *	8/2009	Nakatani	D14/214
D598,430	S *	8/2009	Nakatani	D14/214
D615,532	S *	5/2010	Dodd	D14/221
8,181,736	B2 *	5/2012	Sterling	H04R 1/2803 181/176
D689,470	S *	9/2013	Chen	D14/215

(Continued)

Primary Examiner — Khawaja Anwar

(74) *Attorney, Agent, or Firm* — Muncy, Geissler, Olds & Lowe, P.C.

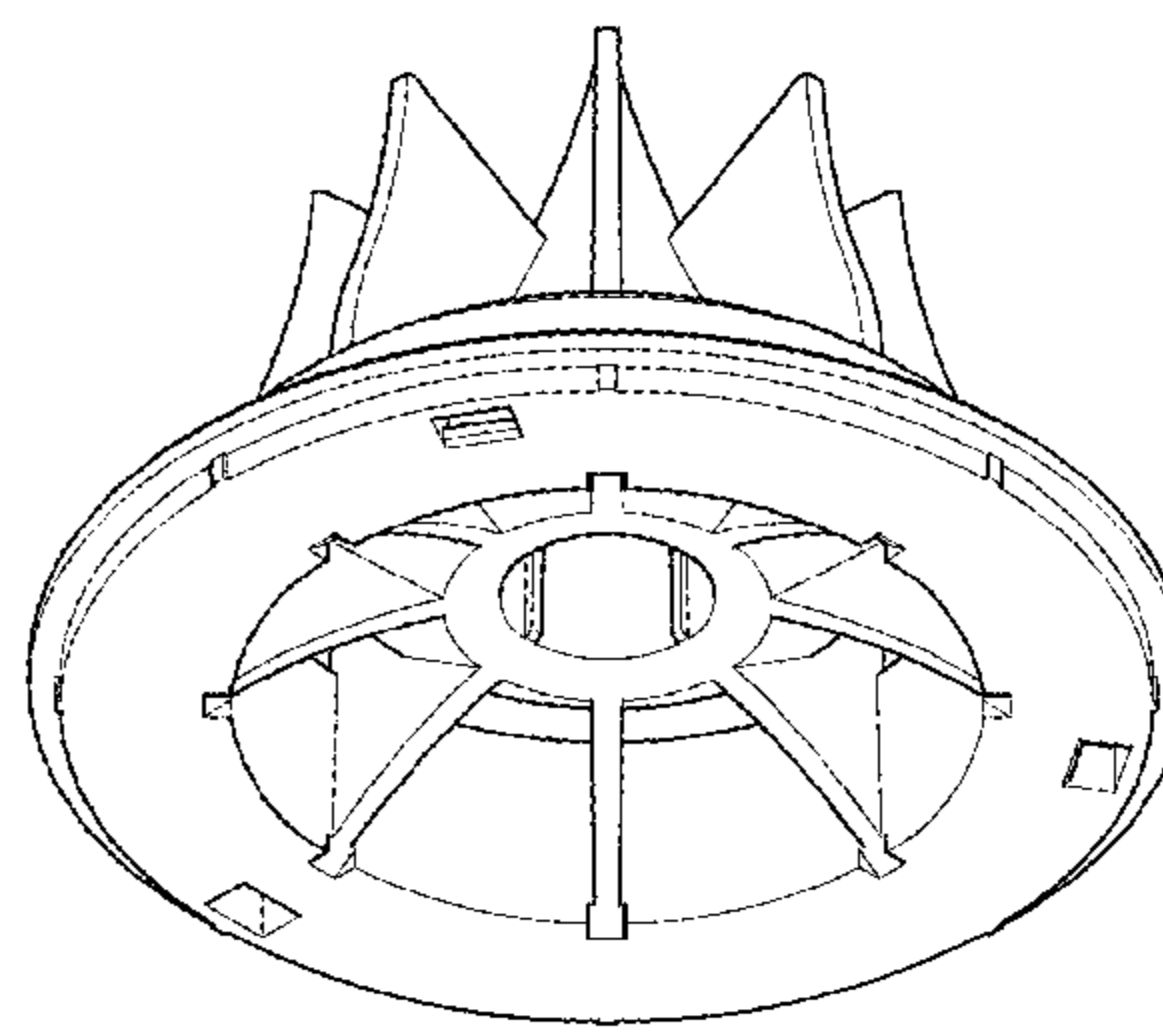
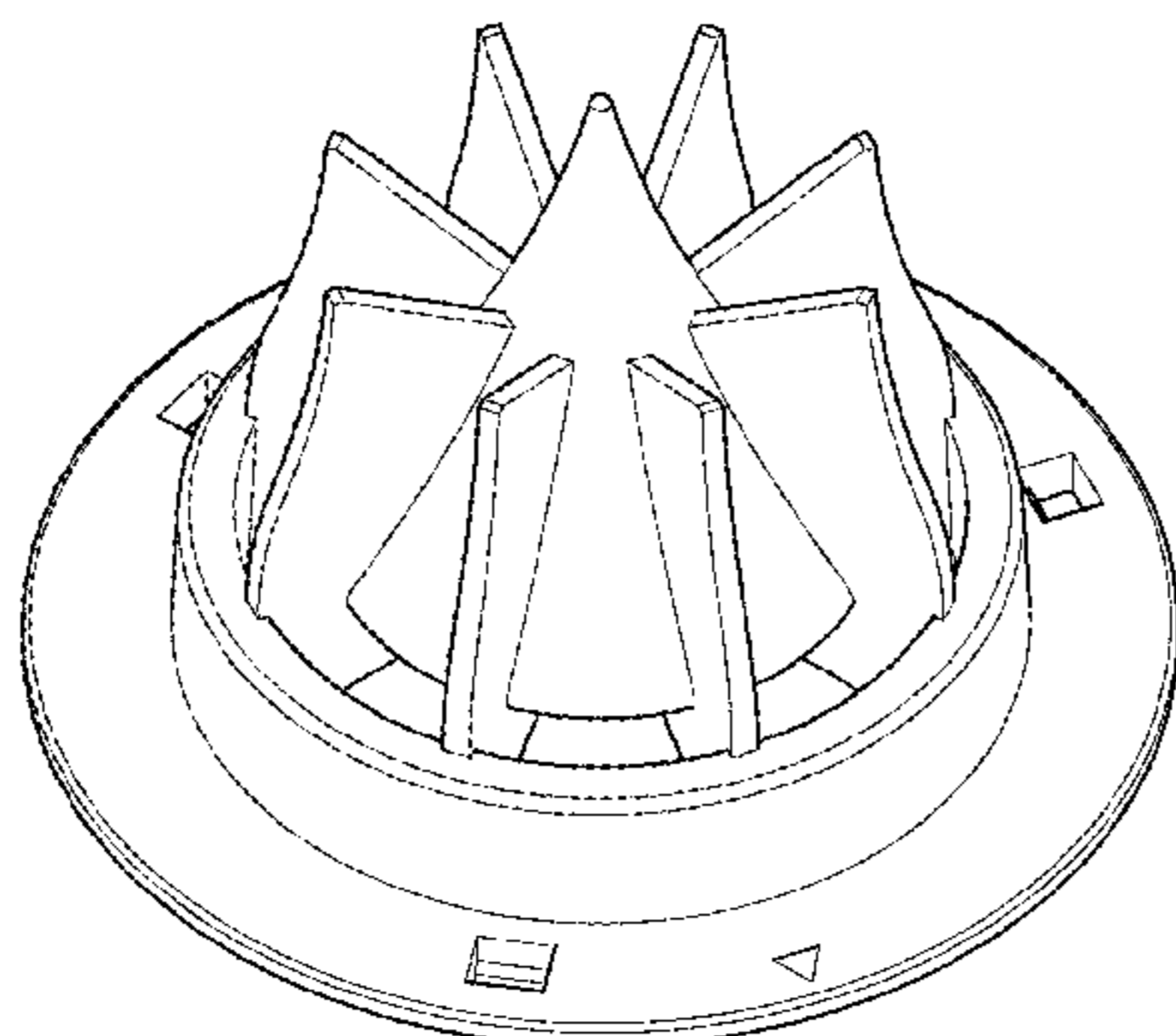
(57) **CLAIM**

I claim, the ornamental design for an phase plug for loudspeaker, as shown and described.

DESCRIPTION

FIG. 1 is a top perspective view of a phase plug for loudspeaker, showing my new design; FIG. 2 is a front elevational view thereof, the rear view being identical thereto; FIG. 3 is a left side elevational view thereof, the right side view being identical thereto; FIG. 4 is a top view thereof; FIG. 5 is a bottom view thereof; and, FIG. 6 is a bottom perspective view of FIG. 1.

1 Claim, 5 Drawing Sheets



(56)

References Cited

U.S. PATENT DOCUMENTS

D713,821 S	*	9/2014	Hyde	D14/221
D729,211 S	*	5/2015	Huang	D14/222
D730,326 S	*	5/2015	Huang	D14/222
D744,455 S	*	12/2015	Huang	D14/204
D791,106 S	*	7/2017	Kurihara	D14/222

* cited by examiner

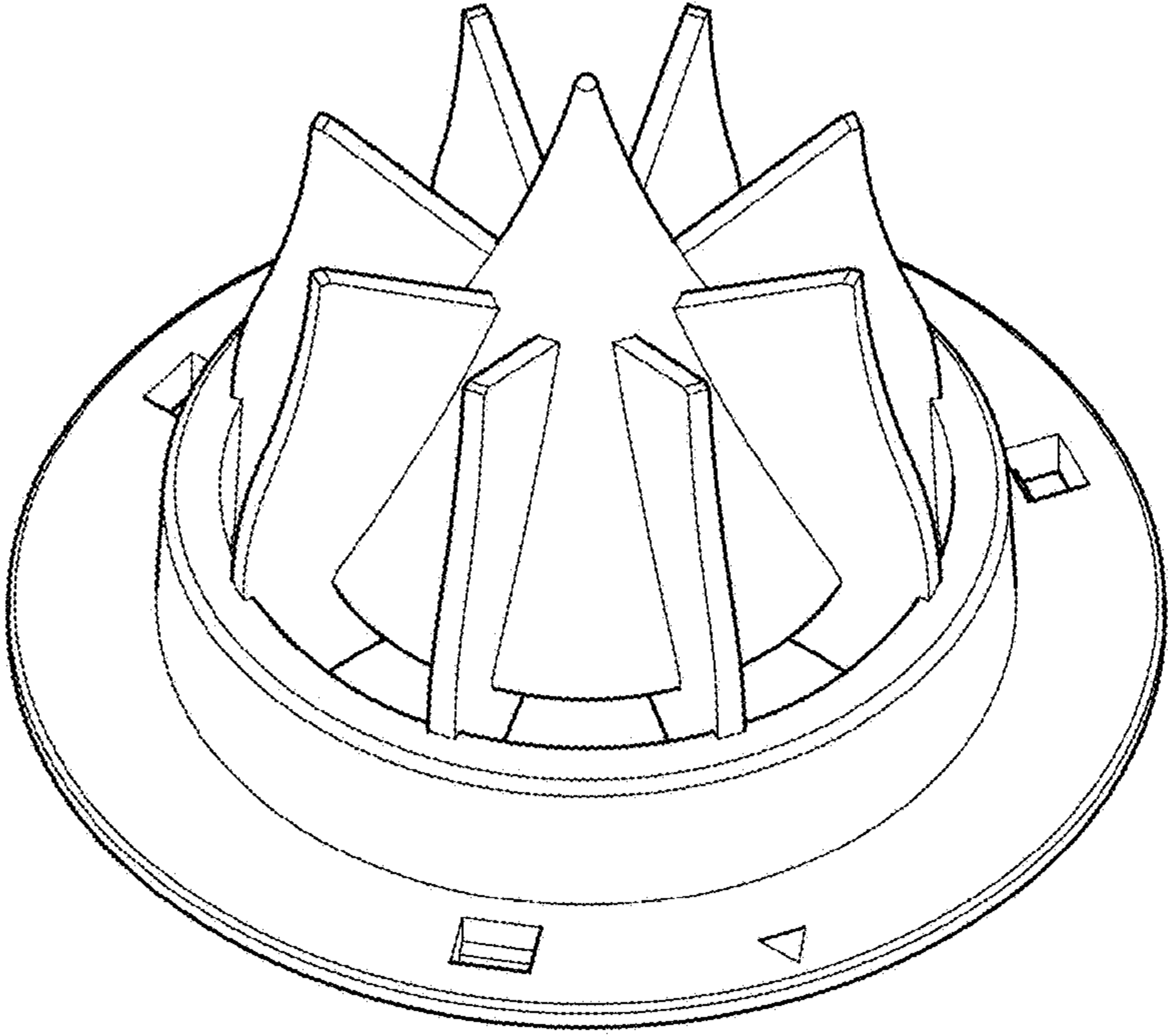


FIG. 1

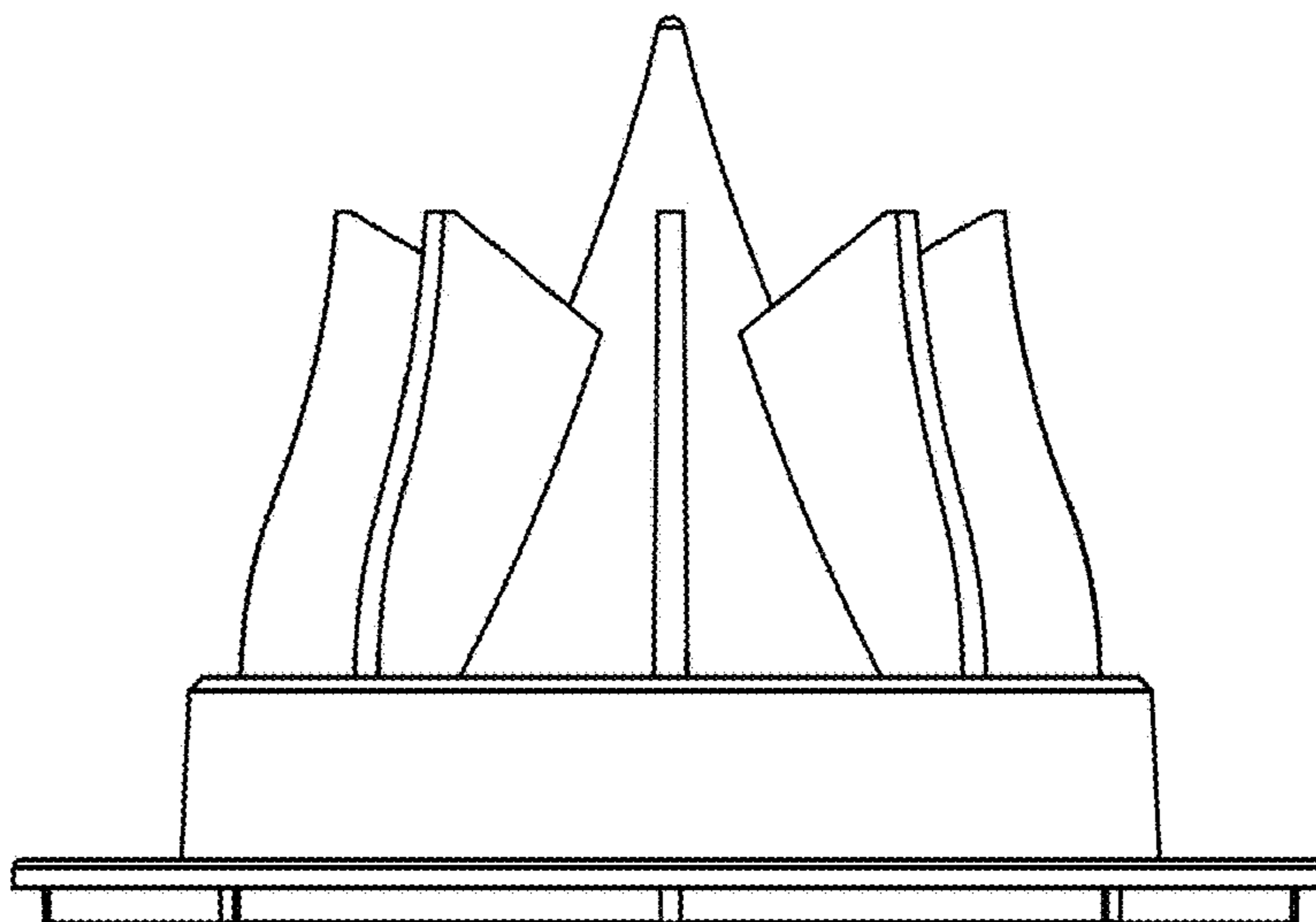


FIG. 2

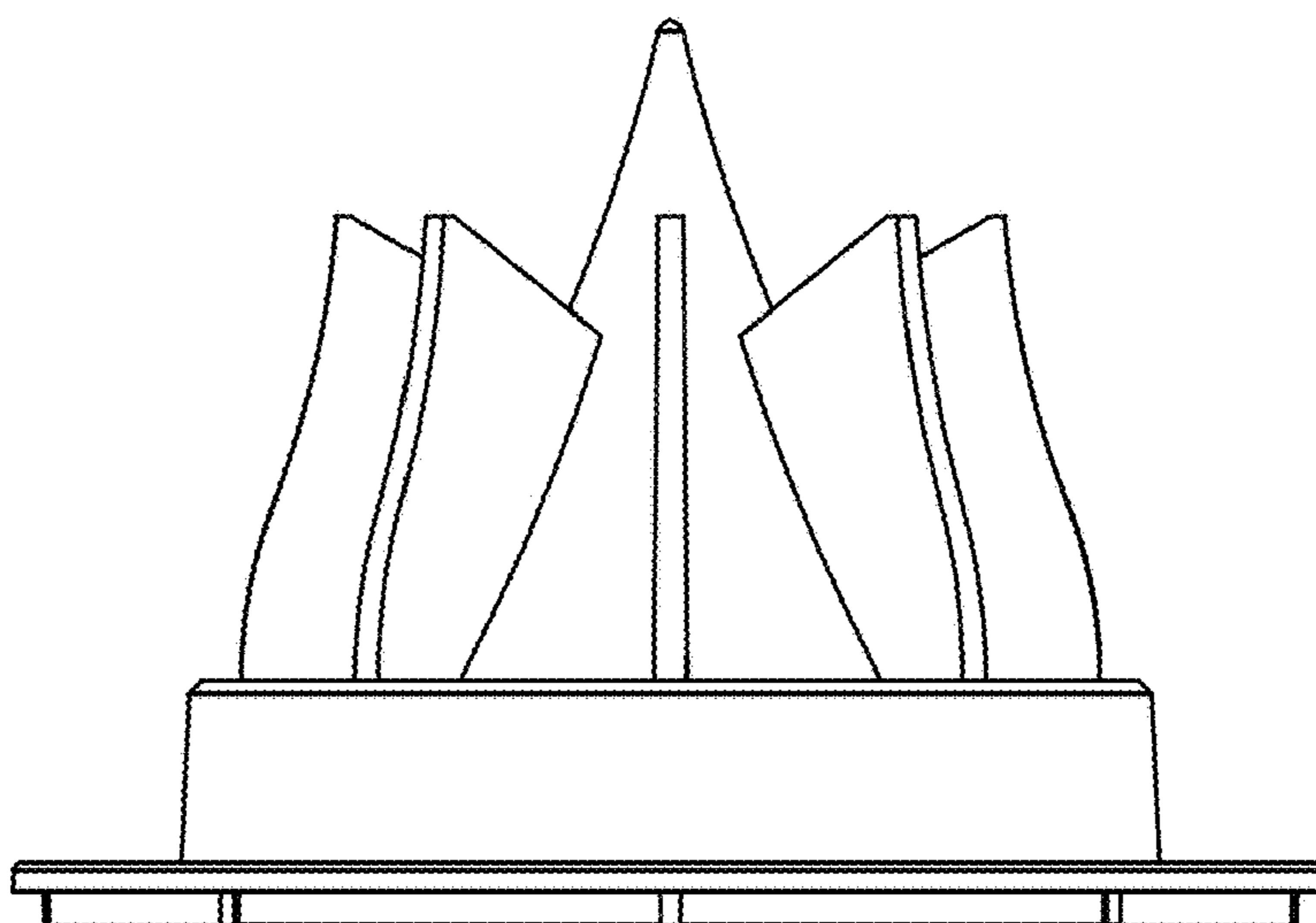


FIG. 3

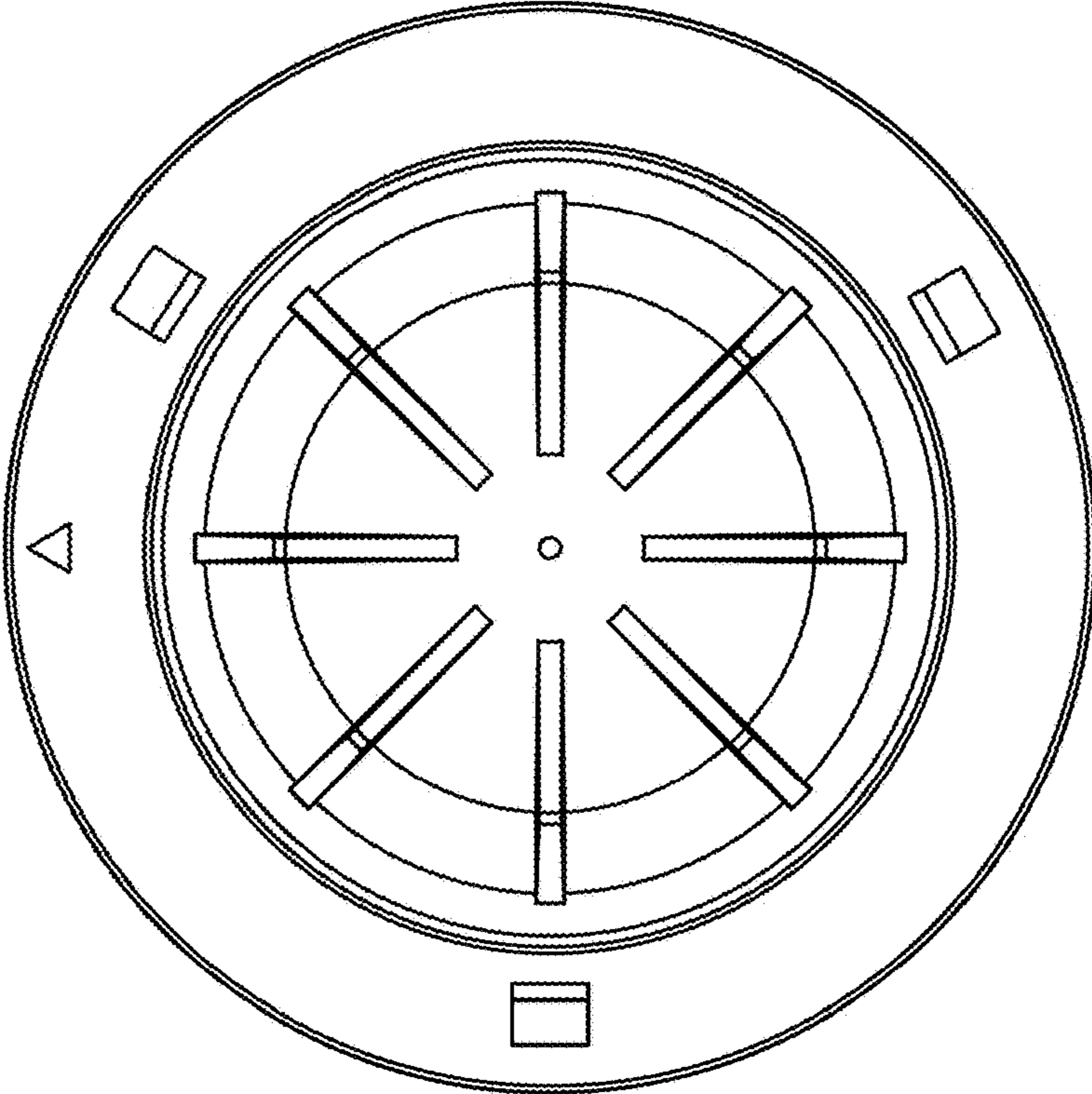


FIG.4

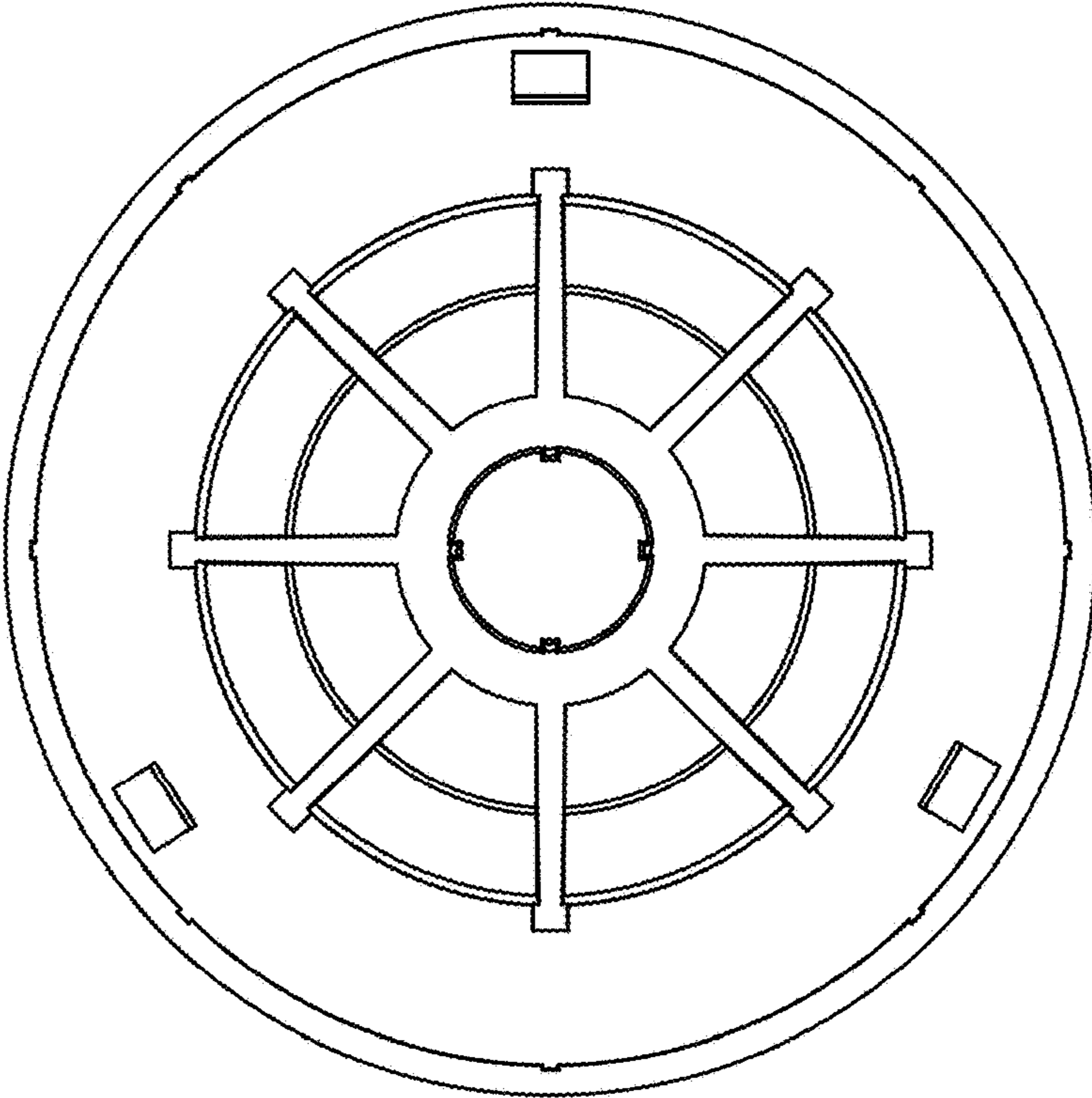


FIG.5

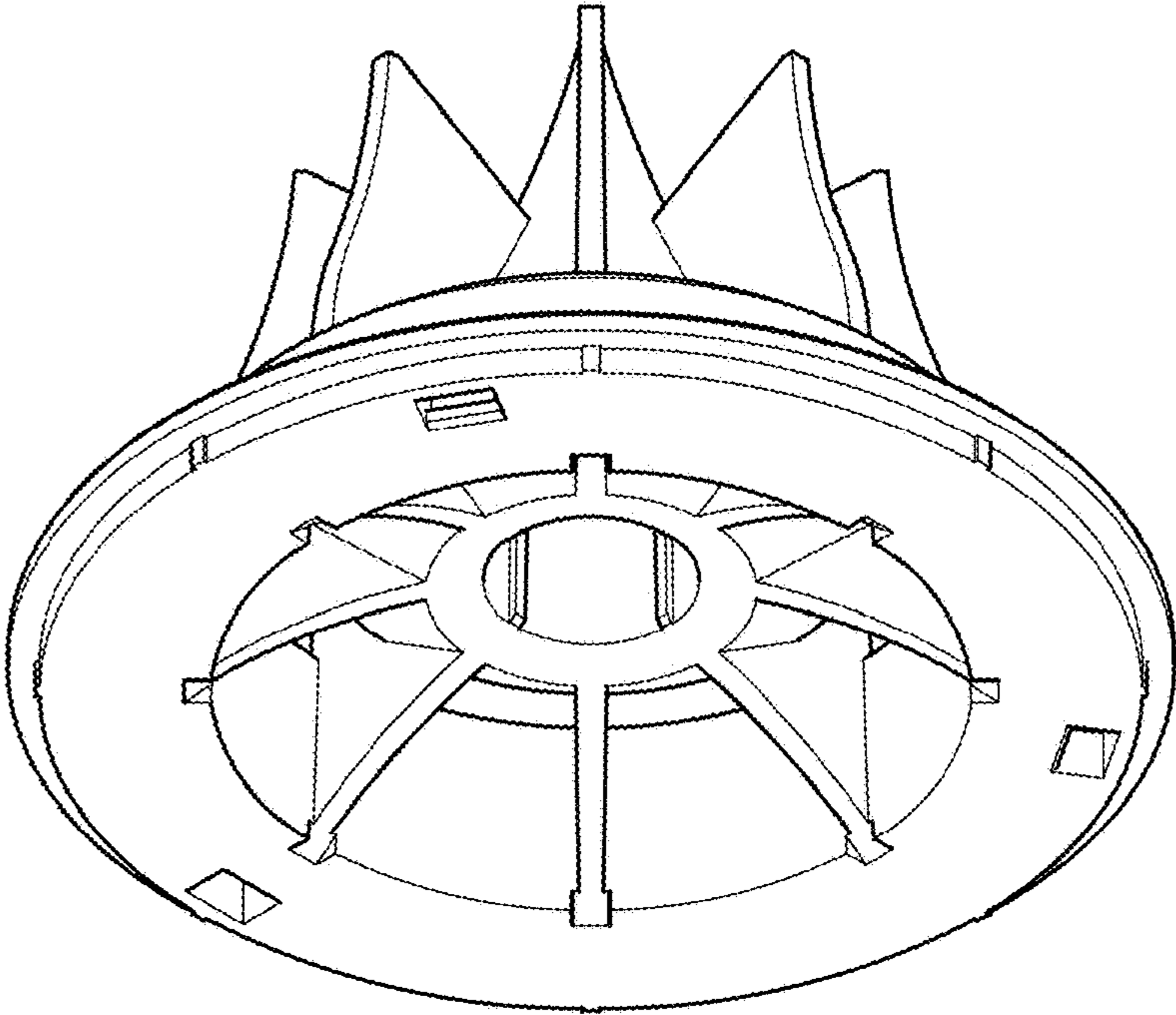


FIG.6