



US00D852168S

(12) **United States Design Patent**  
**Zhou**

(10) **Patent No.:** **US D852,168 S**  
(45) **Date of Patent:** **\*\* Jun. 25, 2019**

(54) **HEADSET**

(71) Applicant: **Dongguan SIVGA electronic technology Co.,LTD., Dongguan (CN)**

(72) Inventor: **Jian Zhou, Yangchun (CN)**

(\*\*) Term: **15 Years**

(21) Appl. No.: **29/685,034**

(22) Filed: **Mar. 26, 2019**

(51) **LOC (11) Cl.** ..... **14-01**

(52) **U.S. Cl.**  
USPC ..... **D14/205; D14/219**

(58) **Field of Classification Search**  
USPC ..... D14/205, 188, 192, 219, 204, 216;  
D25/153, 156; D5/53, 54, 55, 56, 69, 61,  
D5/39; 181/129, 130, 135; 379/430,  
379/431; 381/380, 381, 374; 455/90.3,  
455/575.1, 569.1  
CPC .... H04R 1/1066; H04R 1/1016; H04R 5/033;  
H04R 5/0335; H04R 25/00; H04R 1/10;  
H04R 1/105  
See application file for complete search history.

5,406,037 A \* 4/1995 Nageno ..... H04R 5/0335  
181/129

5,574,795 A \* 11/1996 Seki ..... H04R 5/0335  
381/370

D410,466 S \* 6/1999 Mouri ..... D14/205

D418,983 S \* 1/2000 Pratt ..... D5/37

D419,781 S \* 2/2000 Pratt ..... D5/53

D420,356 S \* 2/2000 Suzuki ..... D14/205

D433,238 S \* 11/2000 Pratt ..... D5/35

D435,249 S \* 12/2000 Yasutomi ..... D14/205

D441,540 S \* 5/2001 Enderby ..... D5/53

D467,580 S \* 12/2002 Mori ..... D14/223

D519,495 S \* 4/2006 Lum ..... D14/221

D567,215 S \* 4/2008 Lee ..... D14/205

D652,022 S \* 1/2012 Miyawaki ..... D14/216

D656,250 S \* 3/2012 Forster ..... D25/153

D696,644 S \* 12/2013 Sejpka ..... D14/205

D713,560 S \* 9/2014 Parker ..... D25/153

D727,283 S \* 4/2015 Dryden ..... D14/205

(Continued)

*Primary Examiner* — Paula Allen Greene  
(74) *Attorney, Agent, or Firm* — Jie Yang; Zan IP LLC

(57) **CLAIM**

The ornamental design for a headset, as shown and described.

**DESCRIPTION**

FIG. 1 is a perspective view of a headset showing my design;  
FIG. 2 is a front view thereof;  
FIG. 3 is a back view thereof;  
FIG. 4 is a left side view thereof;  
FIG. 5 is a right side view thereof;  
FIG. 6 is a top view thereof;  
FIG. 7 is a bottom view thereof; and,  
FIG. 8 is an enlarged view of the selected portion of FIG. 1.  
The broken lines shown in the drawings depict portions of the headset in which the design is embodied that form no part of the claimed design.

**1 Claim, 8 Drawing Sheets**

(56) **References Cited**

U.S. PATENT DOCUMENTS

D66,231 S \* 12/1924 Edwards ..... D14/219

3,125,196 A \* 3/1964 Fenner ..... E06B 9/01  
52/473

3,232,371 A \* 2/1966 Reichert ..... B41J 29/08  
181/293

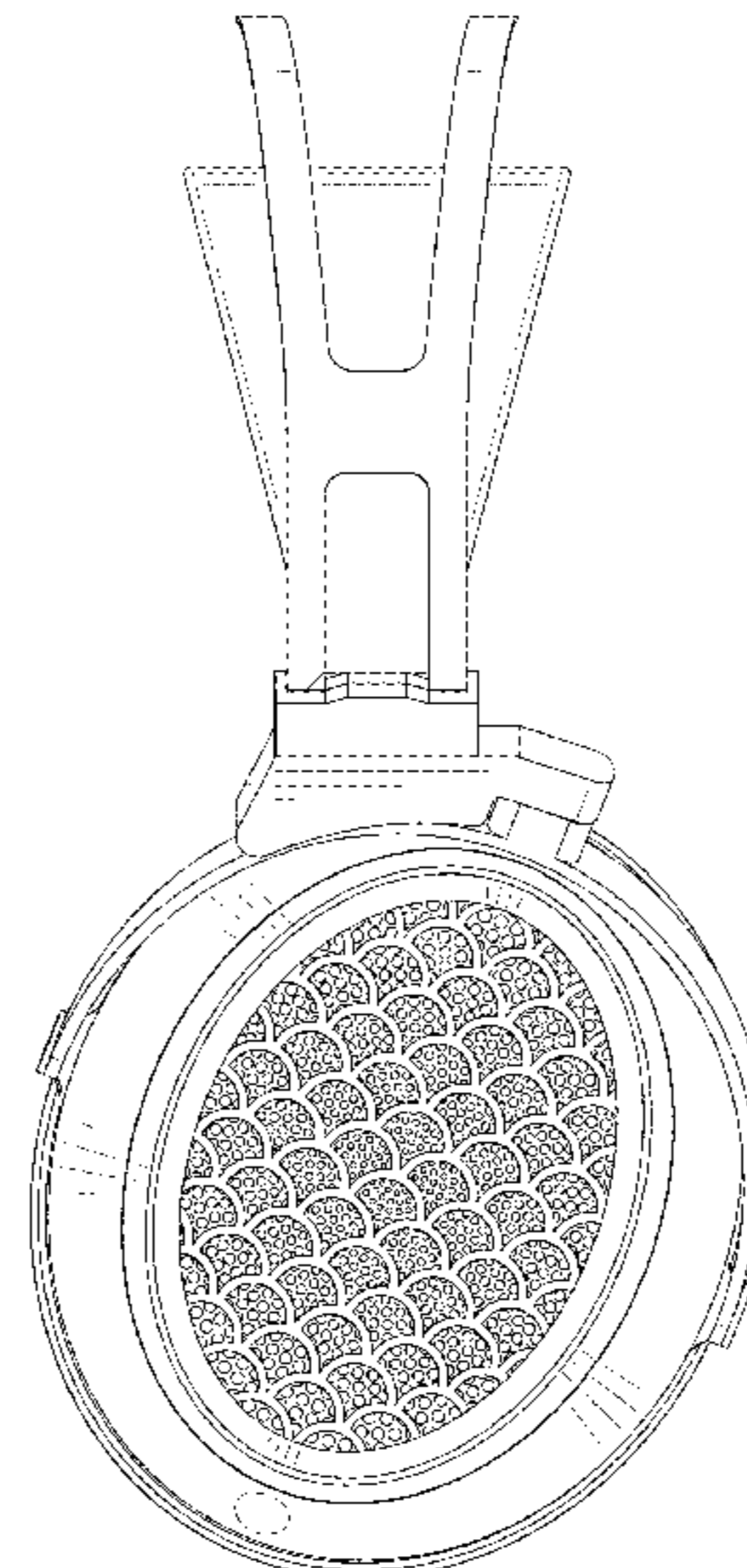
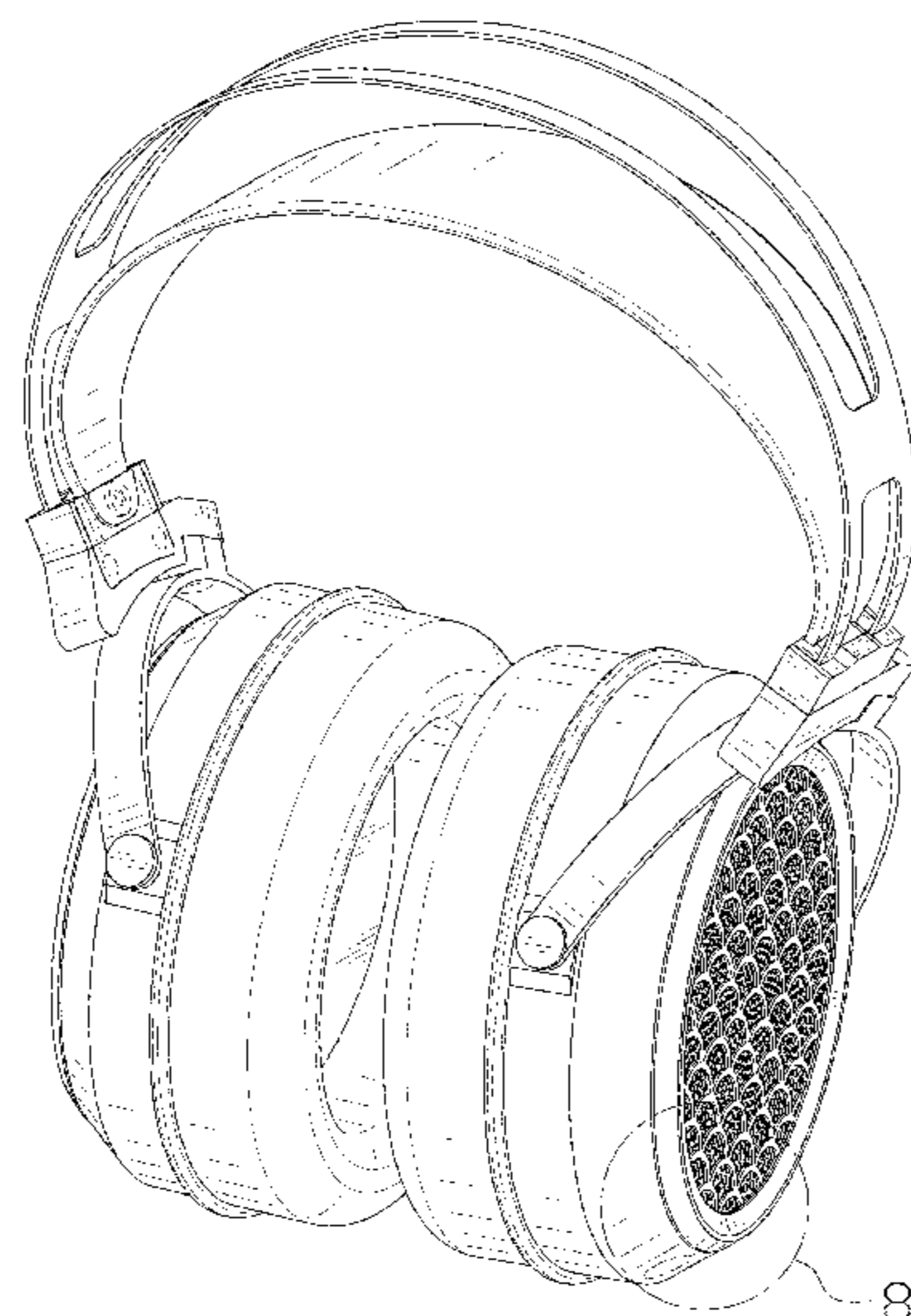
D238,065 S \* 12/1975 Harvey ..... D25/156

D246,519 S \* 11/1977 Kato ..... D14/205

4,634,816 A \* 1/1987 O'Malley ..... H04M 1/05  
379/430

D316,861 S \* 5/1991 Yoda ..... D14/205

5,018,599 A \* 5/1991 Dohi ..... H04R 1/1008  
181/129



(56)

**References Cited**

U.S. PATENT DOCUMENTS

D727,289	S *	4/2015	Czaniecki .....	D14/205
D728,551	S *	5/2015	Saeki .....	D14/250
D746,790	S *	1/2016	Strasberg .....	D14/205
D771,012	S *	11/2016	Wagner .....	D14/205
D777,701	S *	1/2017	Czaniecki .....	D14/205
D782,443	S *	3/2017	Nakagawa .....	D14/205
D784,956	S *	4/2017	Homewood .....	D14/205
D796,215	S *	9/2017	Giunti .....	D5/61
9,774,943	B1 *	9/2017	Weitzner .....	H04R 1/105
D812,588	S *	3/2018	Levine .....	D14/205
D814,438	S	4/2018	Brunner et al.	
D836,084	S	12/2018	Xie	
D837,763	S *	1/2019	Suzuki .....	D14/205
D841,616	S *	2/2019	Bian .....	D14/205
D841,617	S	2/2019	Mei	
D841,618	S	2/2019	Mei	
2007/0165899	A1 *	7/2007	Garin .....	H04R 1/1066 381/377
2013/0087404	A1 *	4/2013	Peskar .....	G10K 11/168 181/129

\* cited by examiner





FIG. 1

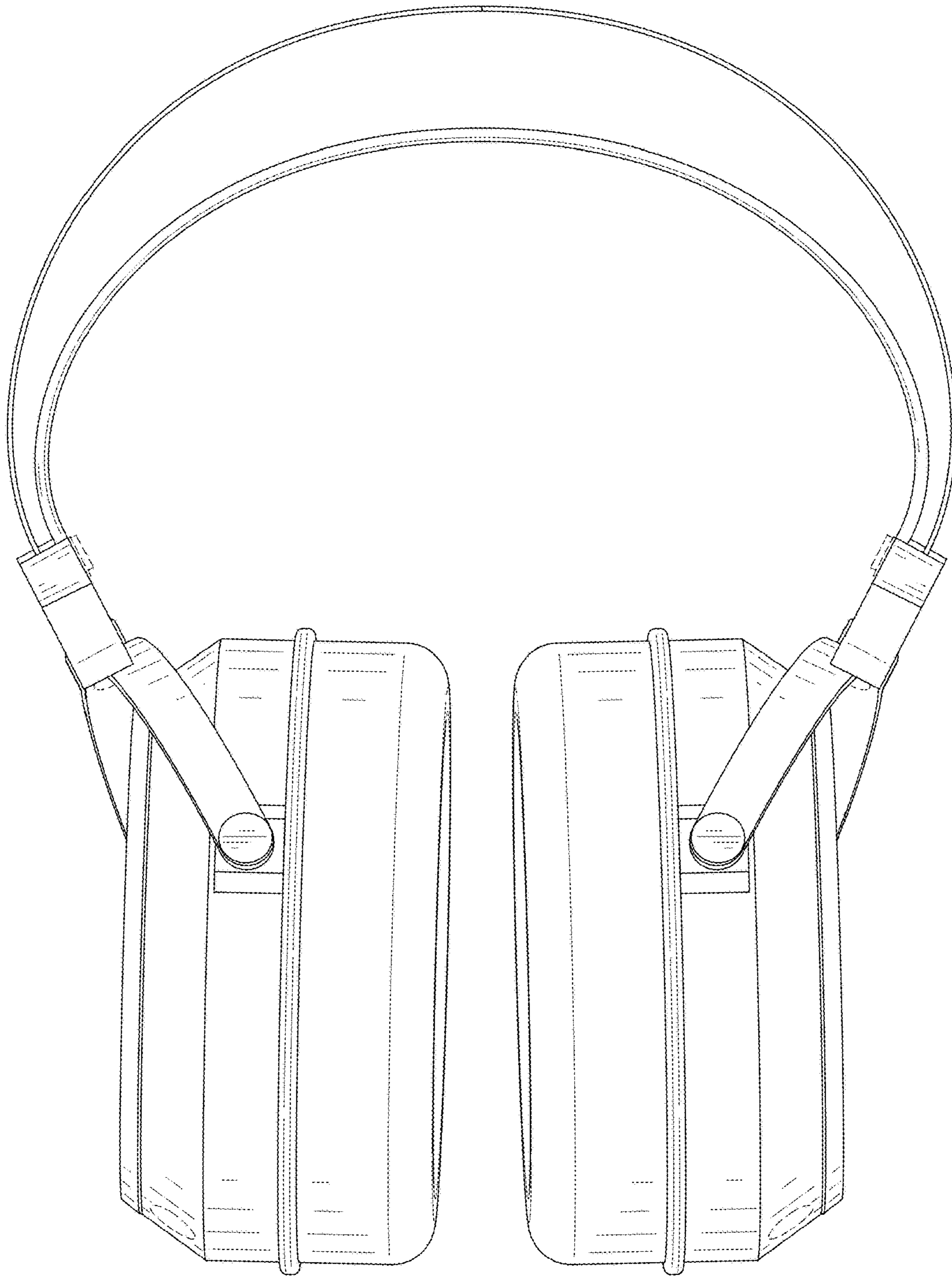


FIG. 2

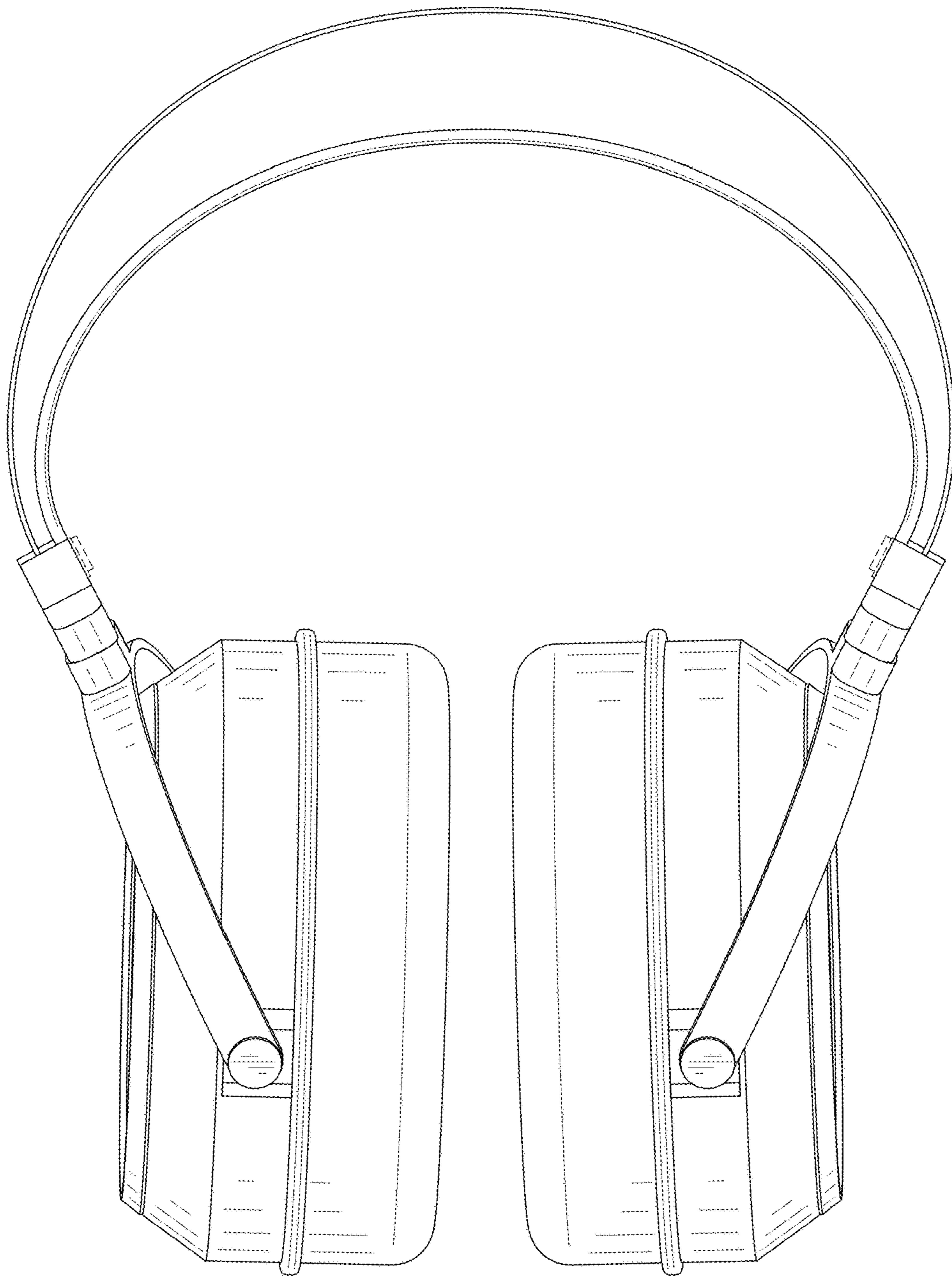


FIG. 3



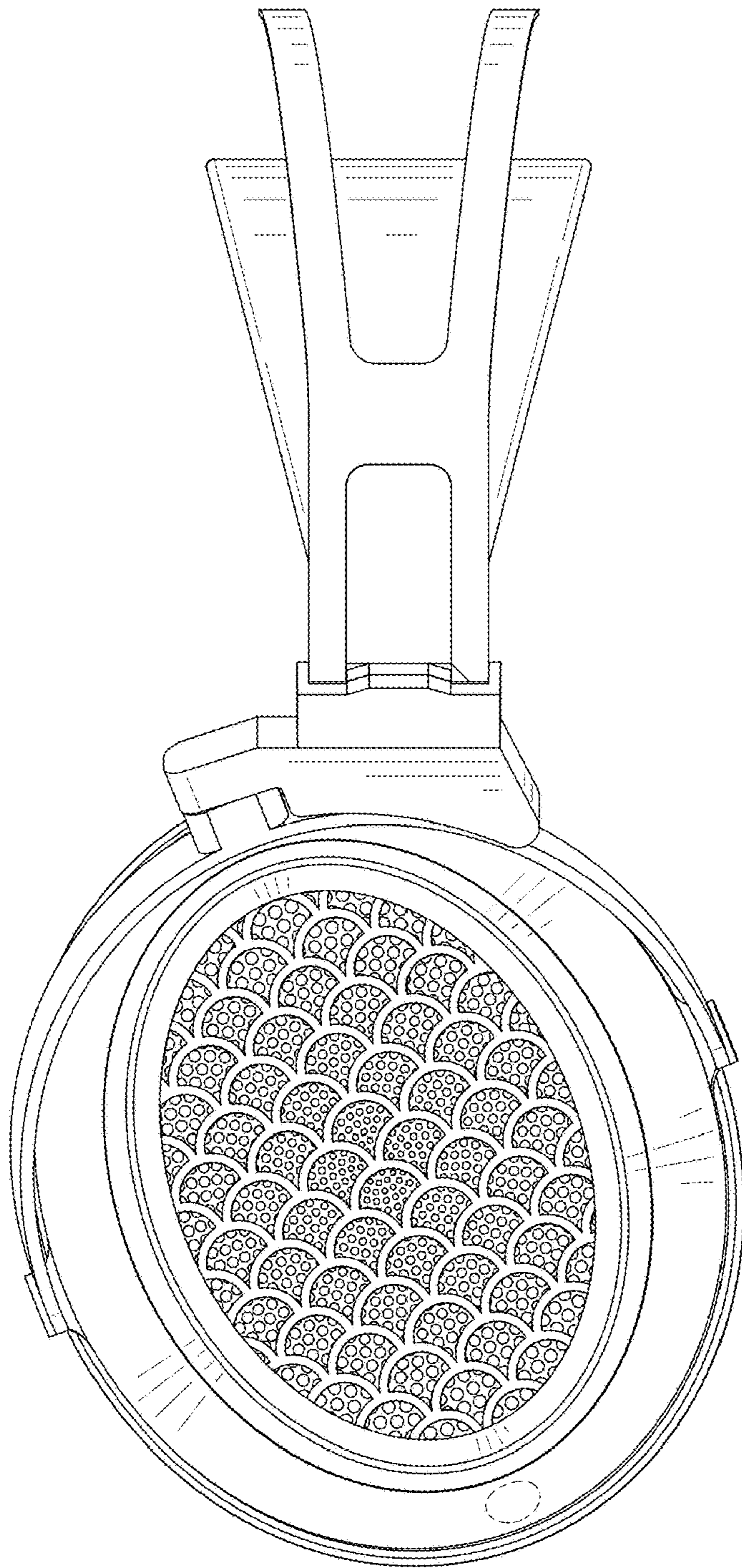


FIG. 4

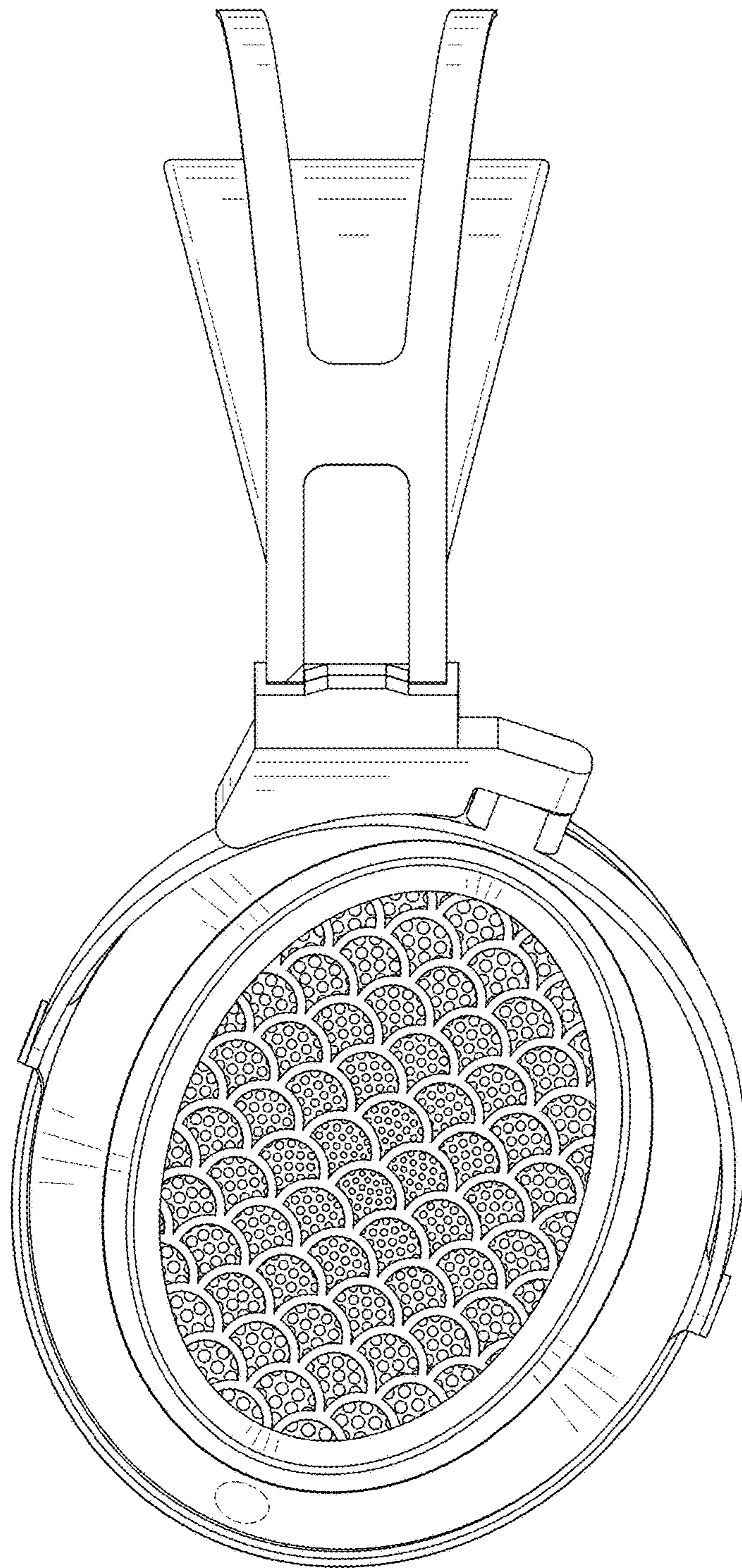


FIG. 5

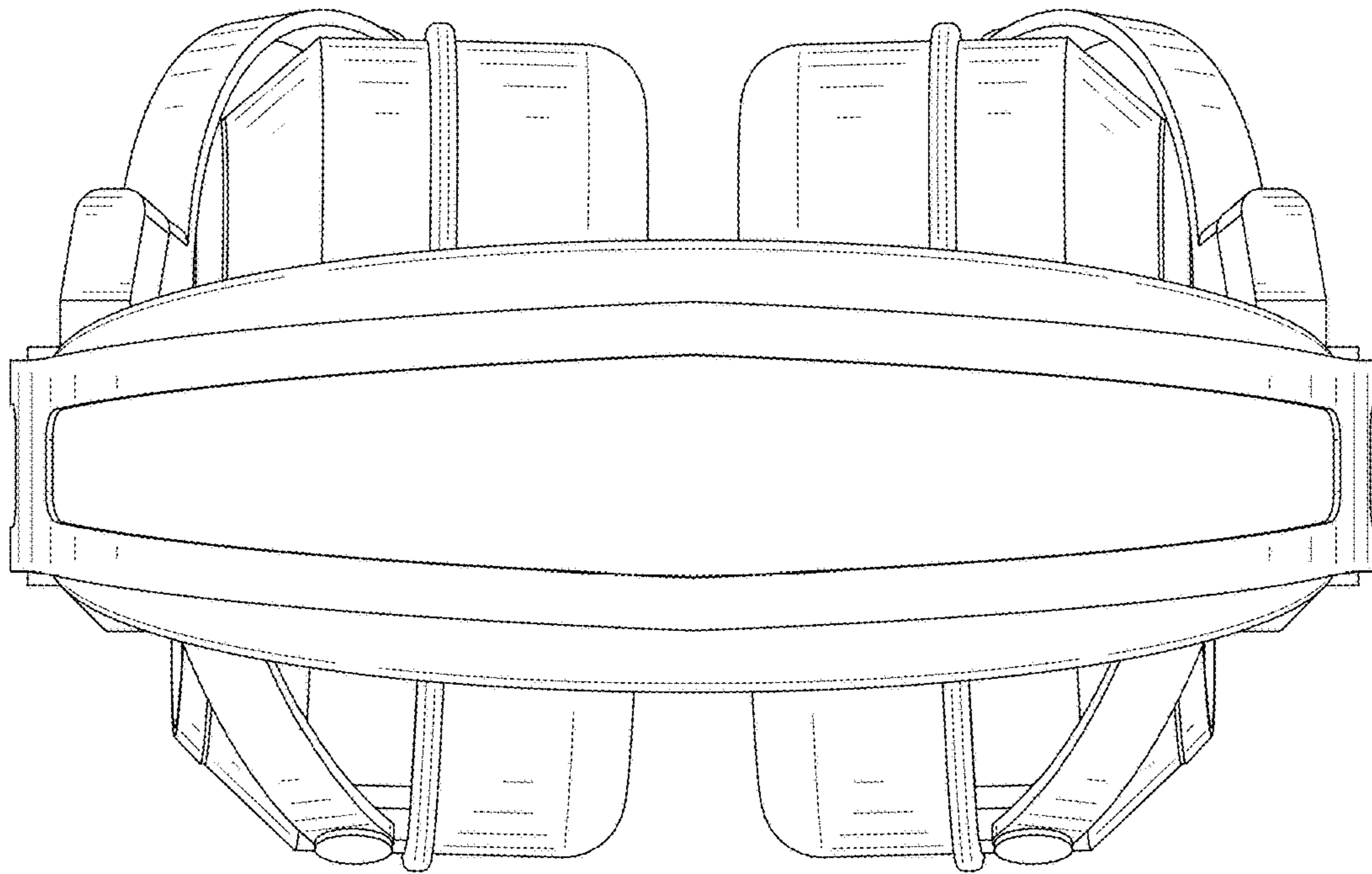


FIG. 6



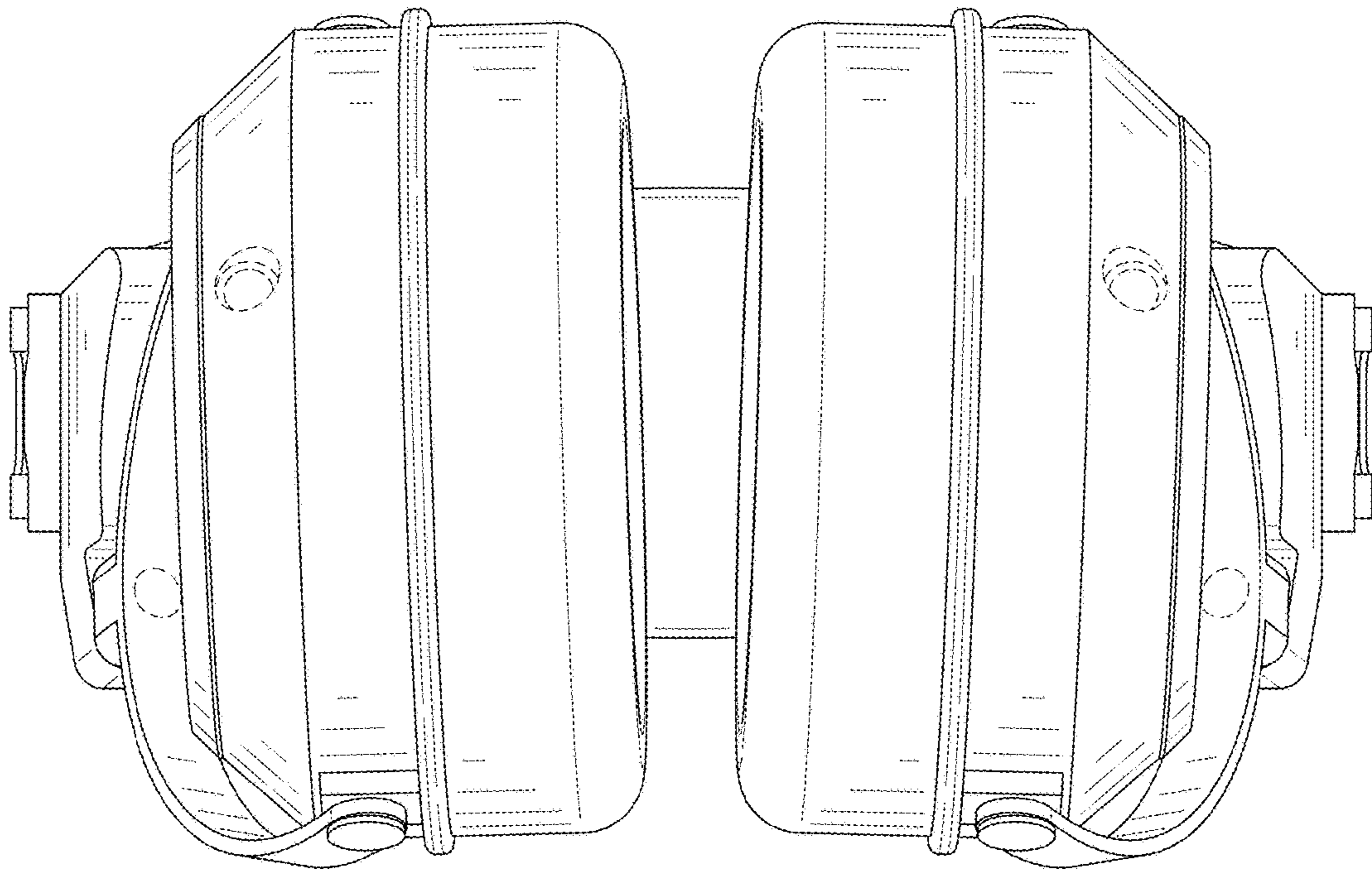


FIG. 7

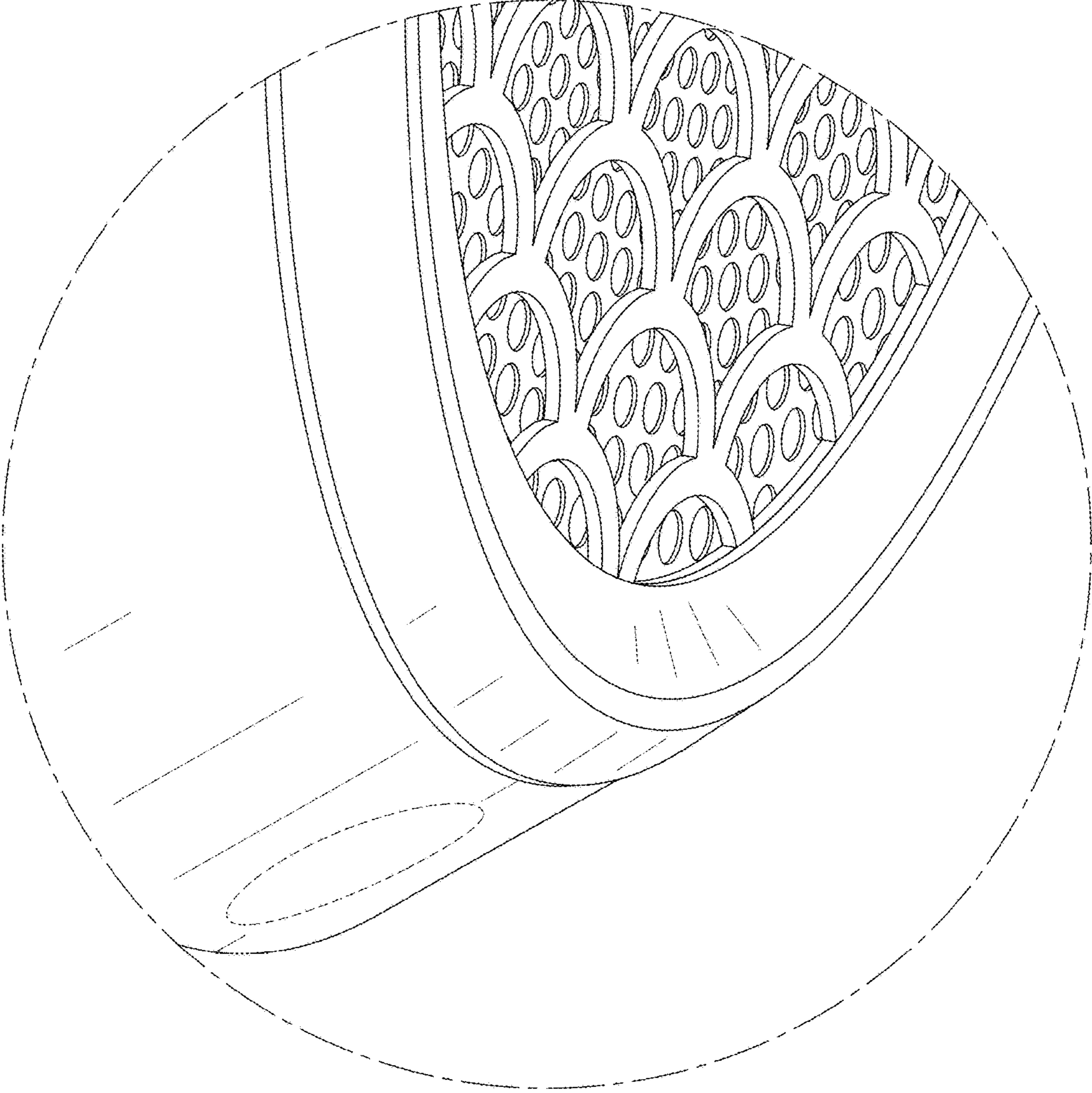


FIG. 8