



US00D852165S

(12) **United States Design Patent**  
**Karayiannis et al.**

(10) **Patent No.:** **US D852,165 S**  
(45) **Date of Patent:** **\*\* Jun. 25, 2019**

(54) **HEADPHONES**

(71) Applicant: **Harman International Industries, Incorporated**, Northridge, CA (US)

(72) Inventors: **Effrosini A. Karayiannis**, St. Louis, MO (US); **Daniel I. Radin**, Waterford, CT (US); **Ryan Ott**, St. Louis, MO (US)

(73) Assignee: **Harman International Industries, Incorporated**, Northridge, CA (US)

(\*\*) Term: **15 Years**

(21) Appl. No.: **29/622,793**

(22) Filed: **Oct. 19, 2017**

(51) **LOC (11) Cl.** ..... **14-01**

(52) **U.S. Cl.**  
USPC ..... **D14/205**

(58) **Field of Classification Search**  
USPC ..... D14/205, 206, 188, 192, 372; D29/112;  
2/209; 181/129, 130, 135; 379/430, 431;  
455/90.3, 575.1, 569.1  
CPC .... H04R 1/1066; H04R 1/1016; H04R 5/033;  
H04R 5/0335; H04R 25/02; H04R 25/00;  
H04R 1/108; H04R 1/08; H04R 19/04  
See application file for complete search history.

(56) **References Cited**

**U.S. PATENT DOCUMENTS**

3,119,904	A *	1/1964	Anson	.....	H04M 1/05 15/244.1
D238,184	S *	12/1975	Ohio	.....	D14/205
D254,183	S *	2/1980	Doodson	.....	D14/205
D286,632	S *	11/1986	Teunis	.....	D14/205
D302,429	S *	7/1989	Leer	.....	D14/137
5,113,428	A *	5/1992	Fitzgerald	.....	H04B 1/385 379/430
D328,461	S *	8/1992	Daido	.....	D14/205

D333,137	S *	2/1993	Burke	.....	D14/206
5,185,807	A *	2/1993	Bergin	.....	H04R 1/1066 181/128
D345,981	S *	4/1994	Burke	.....	D14/206
D376,598	S *	12/1996	Hayashi	.....	D14/205
D386,181	S *	11/1997	Fisher	.....	D14/192
5,793,865	A *	8/1998	Leifer	.....	H04M 1/05 379/430
5,793,878	A *	8/1998	Chang	.....	H04R 5/0335 381/370
D398,309	S *	9/1998	Bergin	.....	D14/206
D405,786	S *	2/1999	Leifer	.....	D14/142
6,496,589	B1 *	12/2002	Pham	.....	H04R 1/08 381/370
6,499,146	B2 *	12/2002	Bavetta	.....	A41D 13/05 2/209

(Continued)

**OTHER PUBLICATIONS**

Design U.S. Appl. No. 29/641,944, filed Mar. 26, 2018.

*Primary Examiner* — Paula Allen Greene

(74) *Attorney, Agent, or Firm* — Plumsea Law Group, LLC

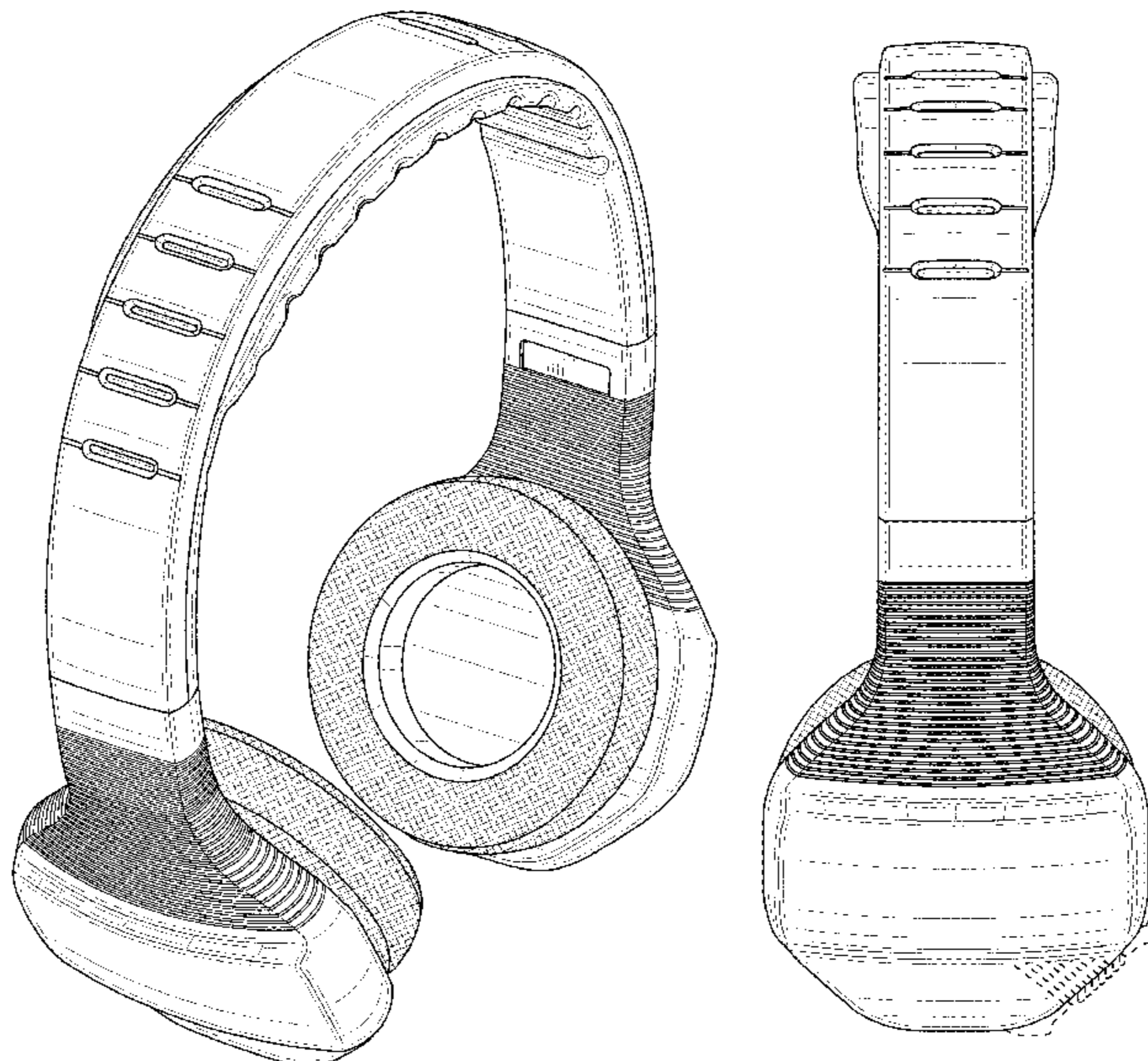
(57) **CLAIM**

The ornamental design for headphones, as shown and described.

**DESCRIPTION**

FIG. 1 is a perspective view of headphones showing our new design;  
FIG. 2 is another perspective view thereof;  
FIG. 3 is a front elevation view thereof;  
FIG. 4 is a rear elevation view thereof;  
FIG. 5 is a side elevation view of one side thereof;  
FIG. 6 is a side elevation view of the opposite side thereof;  
FIG. 7 is a top plan view thereof; and,  
FIG. 8 is a bottom plan view thereof.  
The broken line showings form no part of the claimed design

**1 Claim, 8 Drawing Sheets**



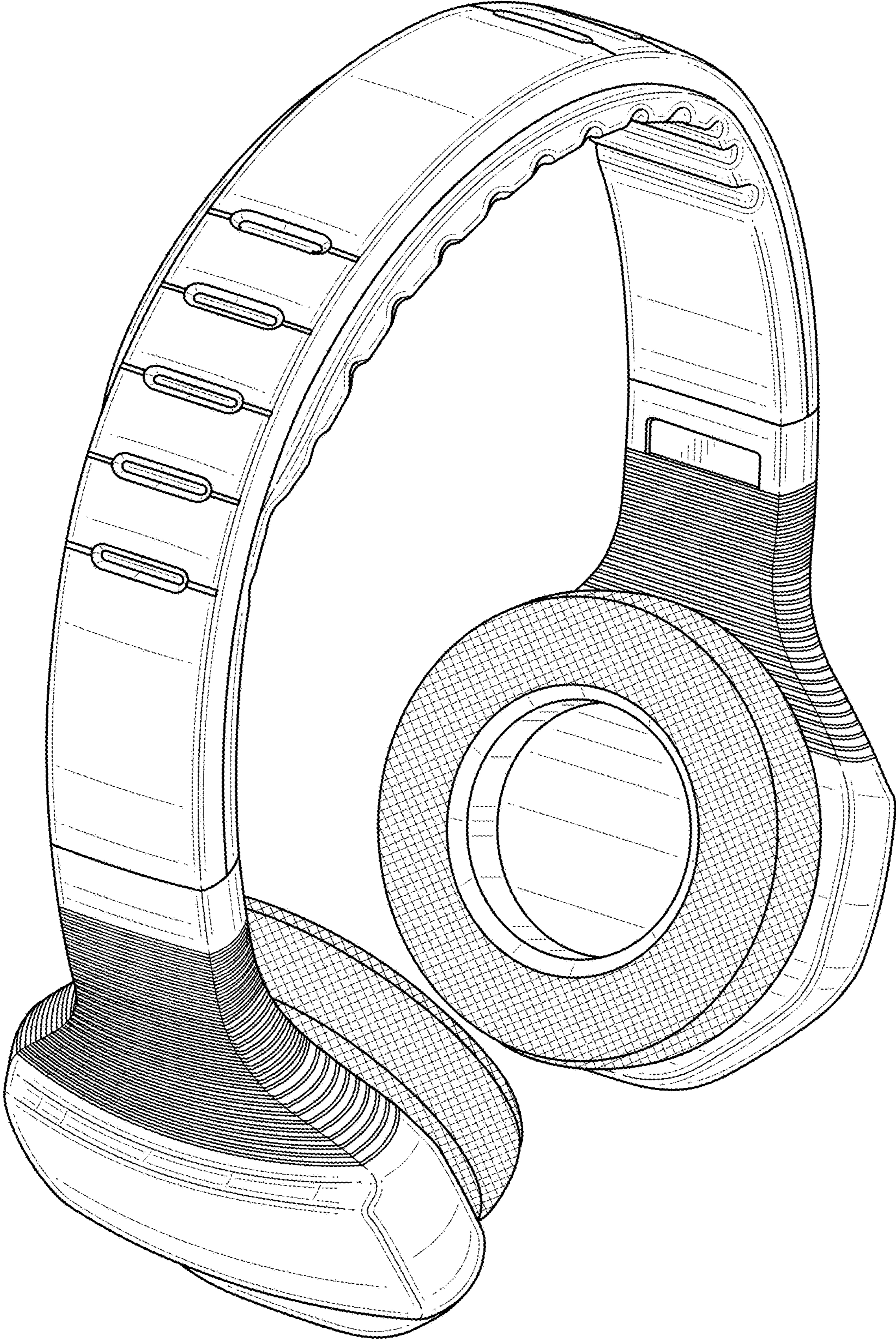
(56)

**References Cited**

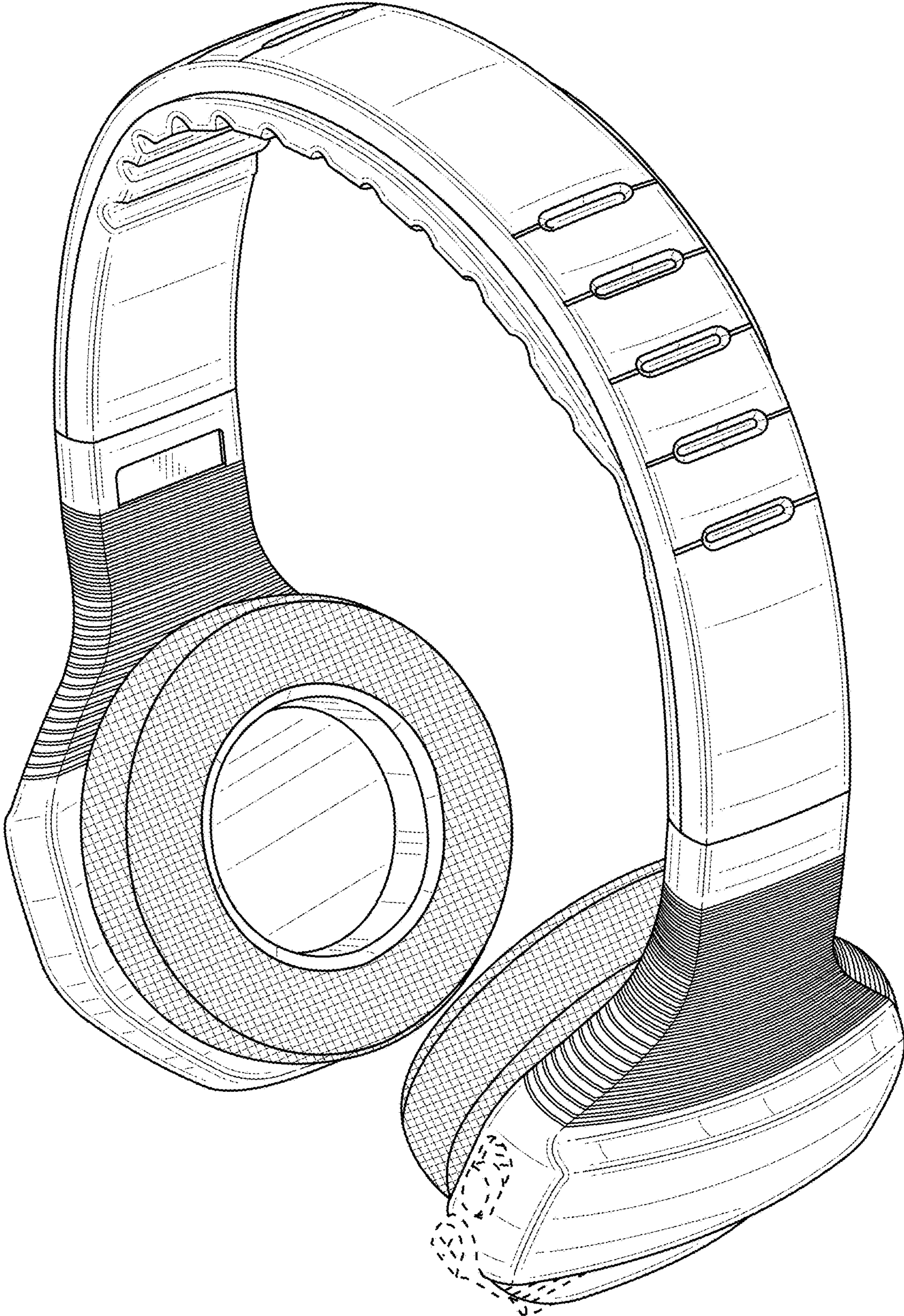
U.S. PATENT DOCUMENTS

6,880,174	B2 *	4/2005	Prokop .....	A41D 13/05 2/209
D576,604	S *	9/2008	Suzuki .....	D14/205
D579,000	S *	10/2008	Rath .....	D14/205
D585,872	S *	2/2009	Lee .....	D14/205
D592,639	S *	5/2009	Kuh .....	D14/205
D634,732	S *	3/2011	Kondo .....	D14/205
D635,958	S *	4/2011	Ando .....	D14/205
D641,727	S *	7/2011	Krauss .....	D14/206
D658,630	S *	5/2012	Gondo .....	D14/205
D664,116	S *	7/2012	Hutchieson .....	D14/205
D664,117	S *	7/2012	Tappeiner .....	D14/205
D699,216	S *	2/2014	Bonahoom .....	D14/205
D733,091	S *	6/2015	Heinonen .....	D14/205
D769,842	S	10/2016	Rouffiat	
D772,842	S *	11/2016	Sharp .....	D14/205

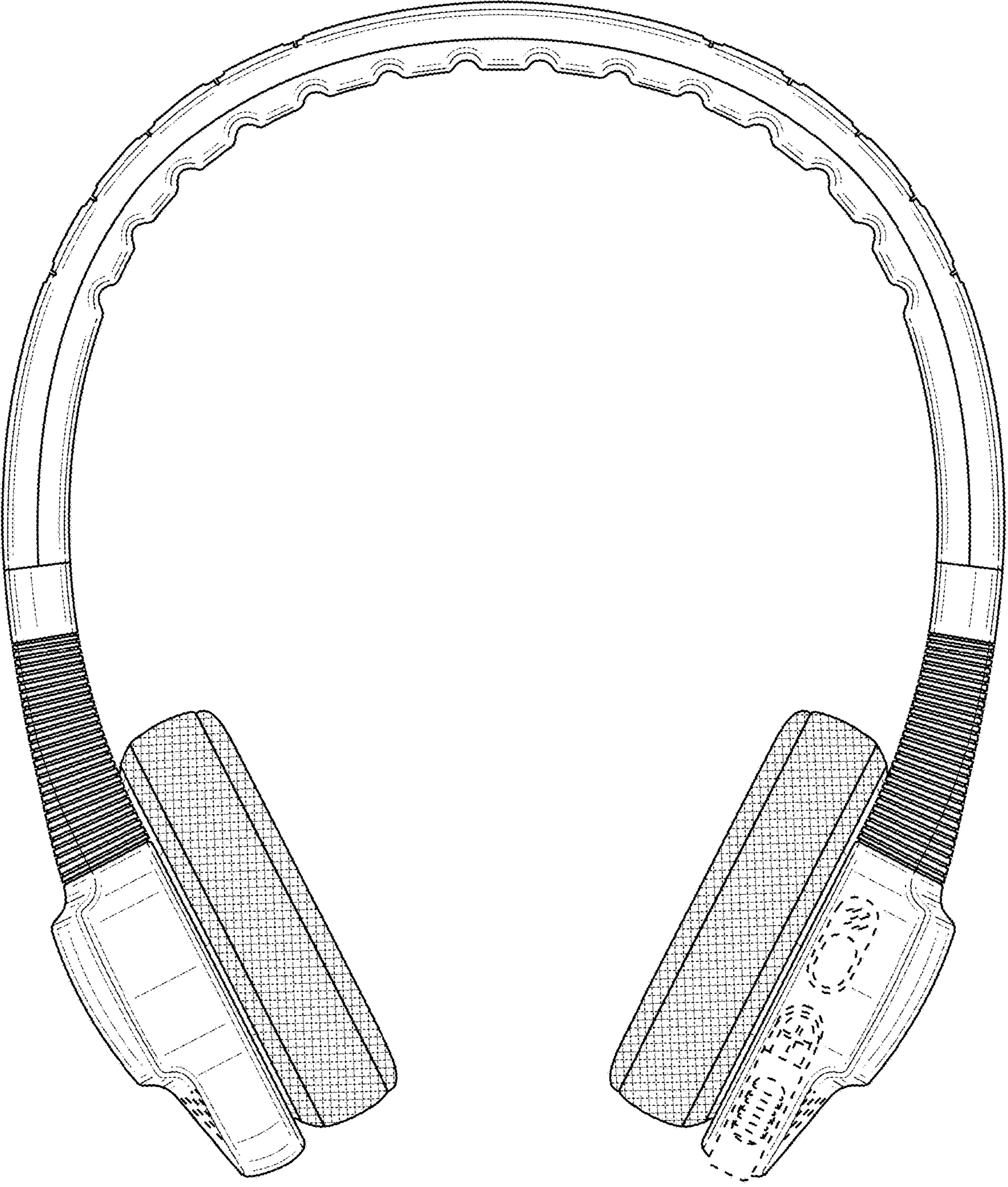
\* cited by examiner



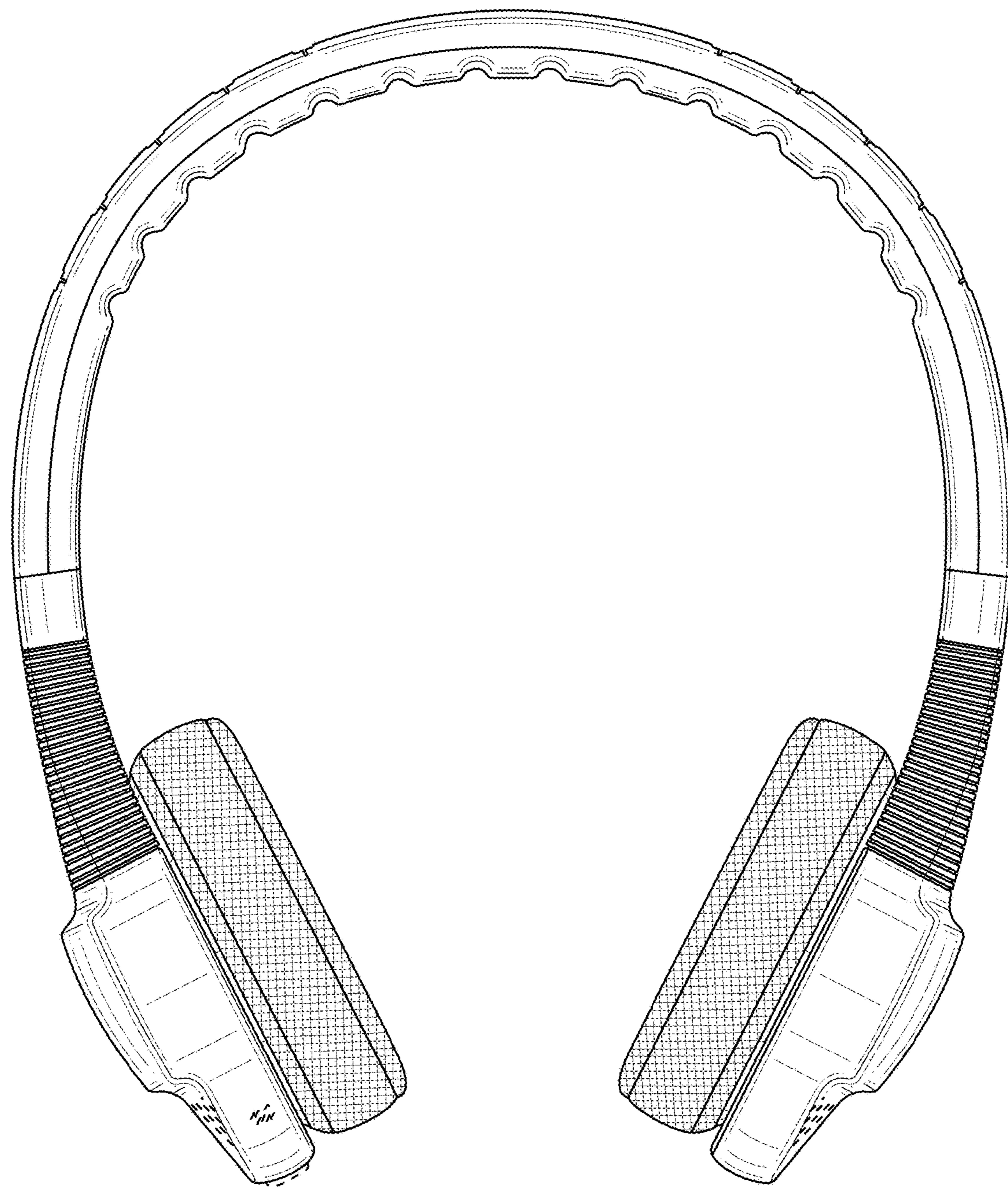
**FIG. 1**



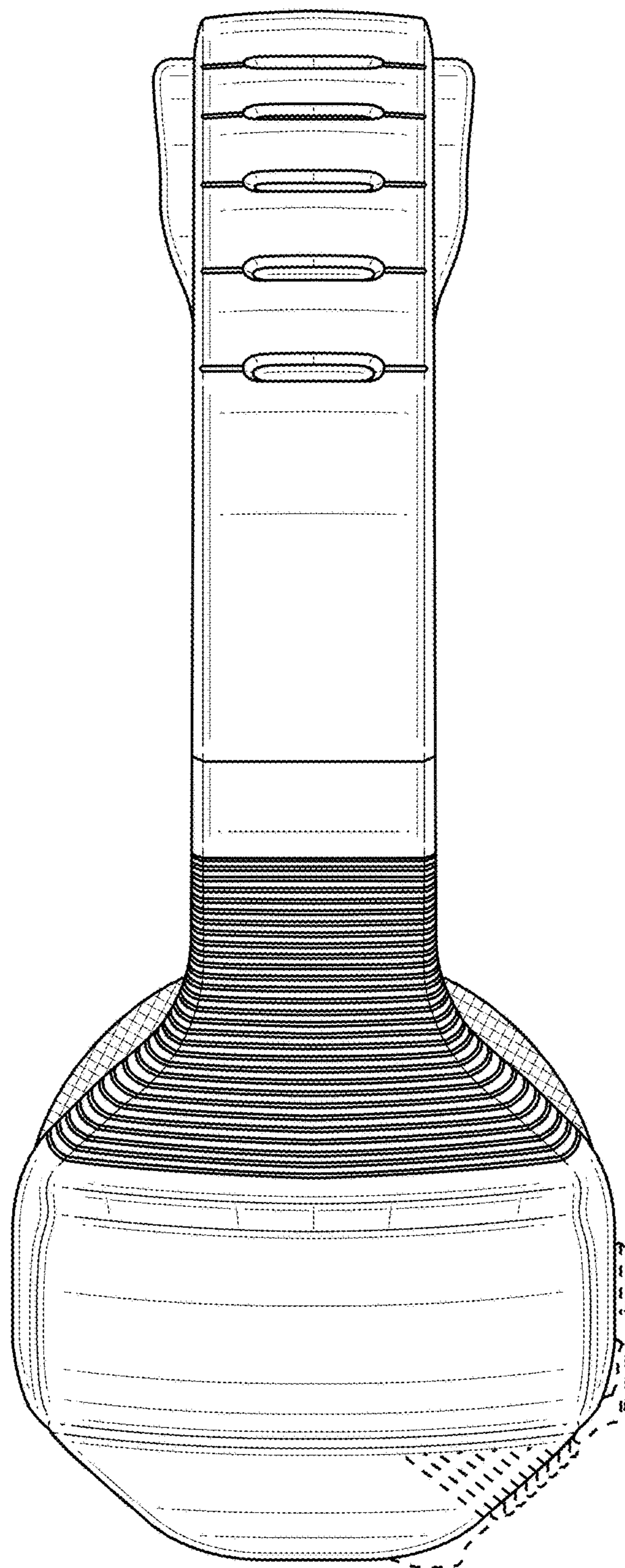
**FIG. 2**



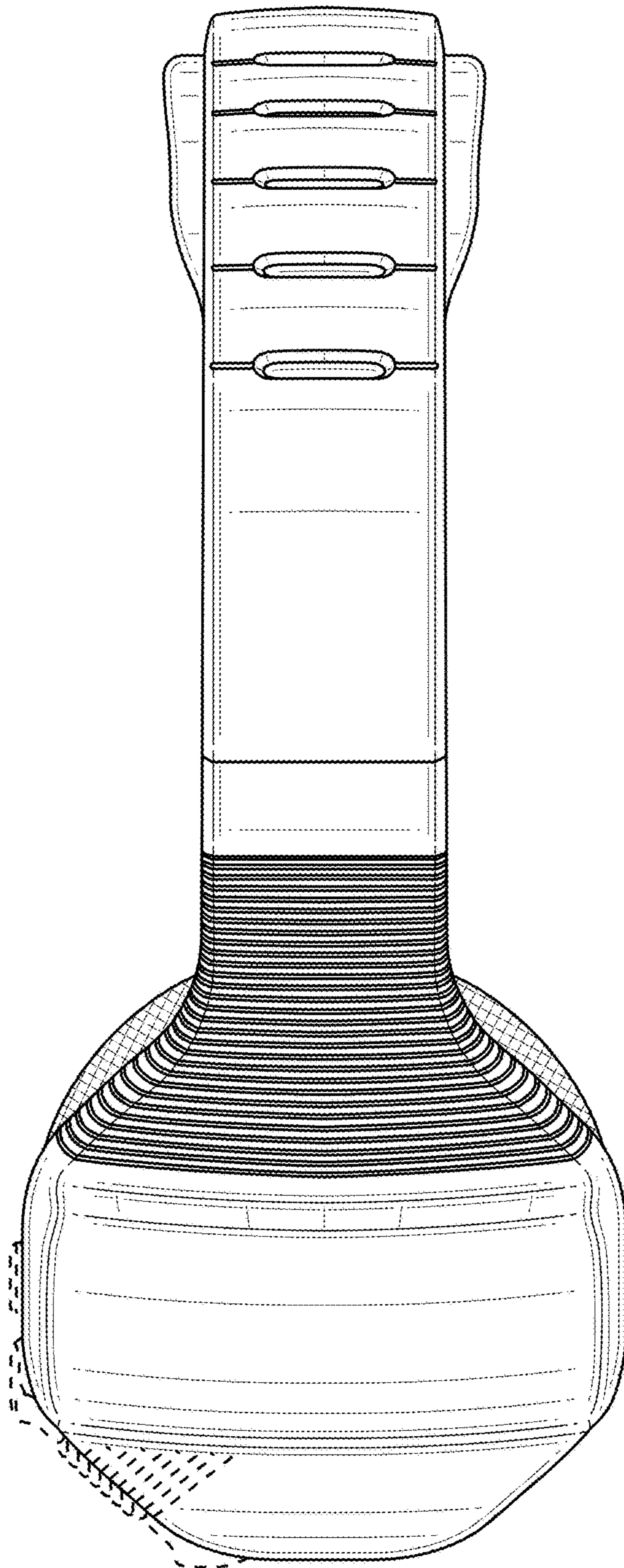
**FIG. 3**



**FIG. 4**

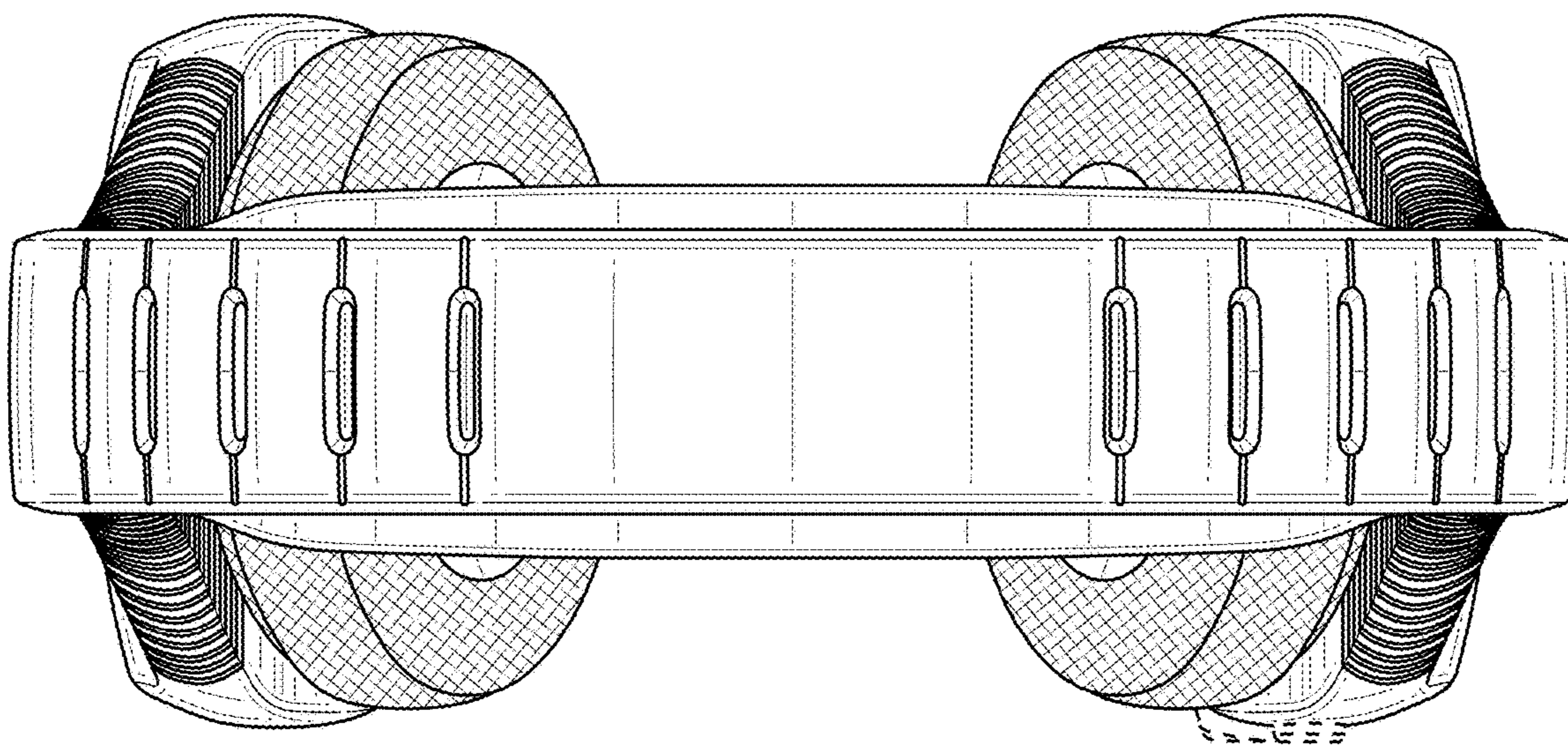


**FIG. 5**

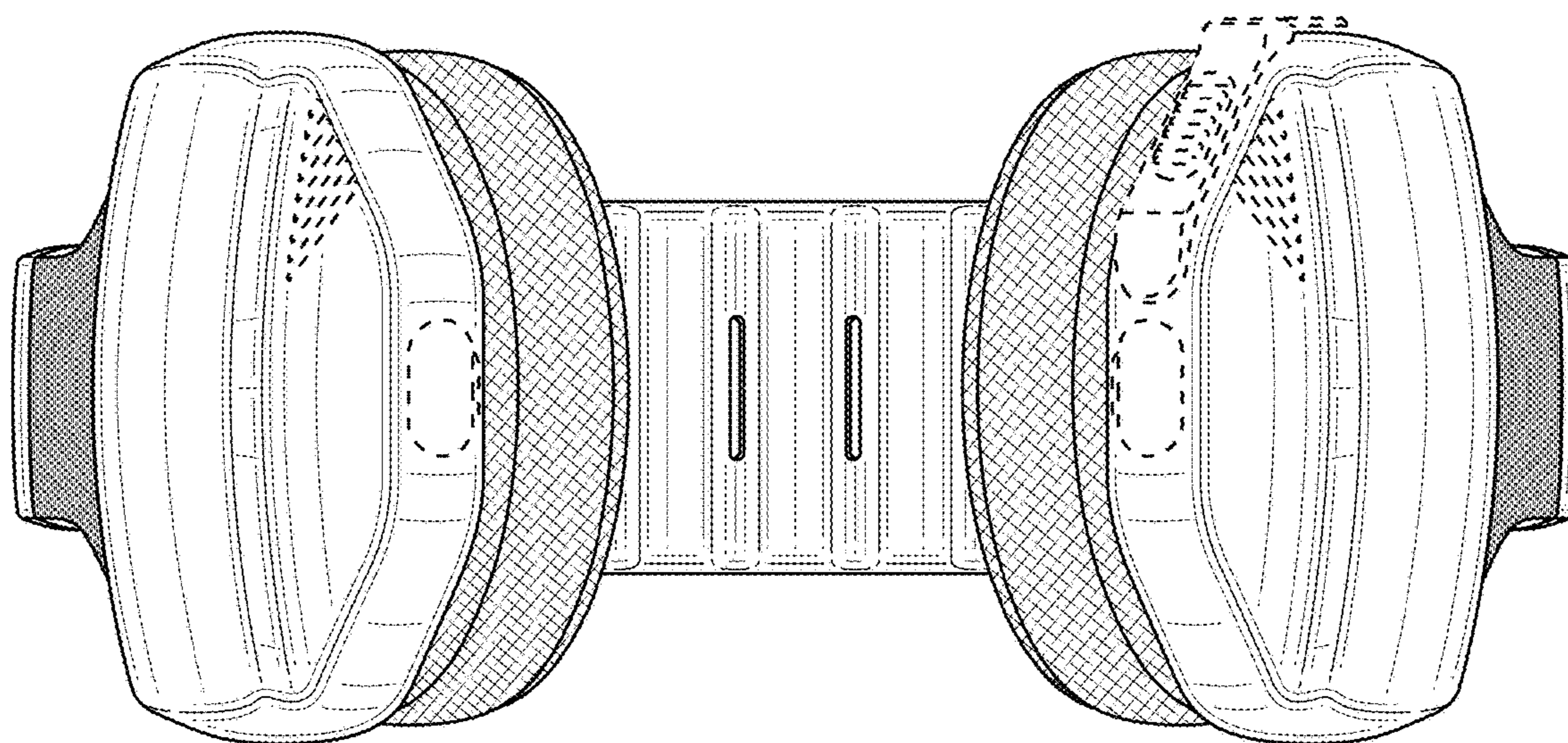


**FIG. 6**





**FIG. 7**



**FIG. 8**