



US00D852164S

(12) **United States Design Patent**  
**Mei**

(10) **Patent No.:** **US D852,164 S**

(45) **Date of Patent:** **\*\* Jun. 25, 2019**

- (54) **HEADSET**
- (71) Applicant: **Qingkai Mei**, Guangdong (CN)
- (72) Inventor: **Qingkai Mei**, Guangdong (CN)
- (73) Assignee: **Shenzhen MeiDong Acoustics Co., Ltd.**, Shenzhen, Guangdong (CN)
- (\*\*) Term: **15 Years**
- (21) Appl. No.: **29/619,432**
- (22) Filed: **Sep. 29, 2017**
- (51) **LOC (11) Cl.** ..... **14-01**
- (52) **U.S. Cl.**  
USPC ..... **D14/205**
- (58) **Field of Classification Search**  
USPC ..... D14/205, 188, 192, 372; D29/112;  
2/209; 181/129, 130, 135; 379/430, 431;  
381/380, 381, 374, 74; 455/90.3, 575.1,  
455/569.1  
CPC .... H04R 1/1066; H04R 1/1016; H04R 5/033;  
H04R 5/0335; H04R 25/00; H04R 1/10;  
H04R 1/1091  
See application file for complete search history.

- 5,406,037 A \* 4/1995 Nageno ..... H04R 5/0335  
181/129
- 5,459,290 A \* 10/1995 Yamagishi ..... H04R 1/1075  
181/129
- D373,360 S \* 9/1996 Kanno ..... D14/205
- D376,598 S \* 12/1996 Hayashi ..... D14/205
- D409,197 S \* 5/1999 Nakamura ..... D14/205
- D410,466 S \* 6/1999 Mouri ..... D14/205
- 5,989,682 A \* 11/1999 Anderson ..... B31F 1/07  
156/209
- D420,356 S \* 2/2000 Suzuki ..... D14/205
- 6,081,604 A \* 6/2000 Hikichi ..... H04R 1/083  
381/124
- D435,249 S \* 12/2000 Yasutomi ..... D14/205
- D467,580 S \* 12/2002 Mori ..... D14/223
- 6,775,390 B1 \* 8/2004 Schmidt ..... H04M 1/05  
181/128
- D502,938 S \* 3/2005 Tokioka ..... D14/205
- D512,708 S \* 12/2005 Harris, Jr. .... D14/205
- D567,215 S \* 4/2008 Lee ..... D14/205
- D573,581 S \* 7/2008 Gondo ..... D14/205
- 7,580,539 B2 \* 8/2009 Tachikawa ..... H04R 1/1066  
381/374

(Continued)

Primary Examiner — Paula Allen Greene

(57) **CLAIM**

I claim the ornamental design for a headset, as shown and described.

**DESCRIPTION**

FIG. 1 is a perspective view of a headset showing my new design;  
 FIG. 2 is a front elevational view thereof;  
 FIG. 3 is a rear elevational view thereof;  
 FIG. 4 is a left side elevational view thereof;  
 FIG. 5 is a right side elevational view thereof;  
 FIG. 6 is a top plan view thereof; and,  
 FIG. 7 is a bottom plan view thereof.  
 The broken lines depict environment that forms no part of the claimed design.

**1 Claim, 7 Drawing Sheets**

(56) **References Cited**

**U.S. PATENT DOCUMENTS**

- 2,537,201 A \* 1/1951 Amfitheatrof ..... A61F 11/008  
181/136
- 2,958,608 A \* 11/1960 Barnard ..... D04H 1/66  
28/163
- D237,114 S \* 10/1975 Frolde ..... D24/126
- D246,519 S \* 11/1977 Kato ..... D14/205
- 4,404,434 A \* 9/1983 Pelt ..... H04R 5/0335  
2/209
- 4,634,816 A \* 1/1987 O'Malley ..... H04M 1/05  
379/430
- D345,163 S \* 3/1994 Yamatogi ..... D14/205



(56)

References Cited

U.S. PATENT DOCUMENTS

D625,705 S *	10/2010	Ohuri .....	D14/205	D721,052 S *	1/2015	Carr .....	D14/205
D632,668 S *	2/2011	Brunner .....	D14/205	D727,289 S *	4/2015	Czaniecki .....	D14/205
D635,958 S *	4/2011	Ando .....	D14/205	9,161,117 B2 *	10/2015	Blonder .....	H04R 1/1066
D639,776 S *	6/2011	Arimoto .....	D14/205	D752,017 S *	3/2016	Daniel .....	D14/205
8,098,872 B2 *	1/2012	Chang .....	H04R 1/1075	D759,626 S *	6/2016	Wagner .....	D14/205
			381/370	D763,223 S *	8/2016	Czaniecki .....	D14/205
D657,344 S *	4/2012	Brunner .....	D14/205	D763,821 S *	8/2016	Leopardi .....	D14/205
8,189,847 B2 *	5/2012	Huang .....	H04R 1/1075	D769,219 S *	10/2016	Ohmachi .....	D14/205
			381/186	D773,434 S *	12/2016	Wu .....	D14/205
D664,118 S *	7/2012	Tappeiner .....	D14/205	D777,701 S *	1/2017	Czaniecki .....	D14/205
D673,136 S *	12/2012	Kelly .....	D14/205	D806,674 S *	1/2018	Zhang .....	D14/205
D673,520 S *	1/2013	Tan .....	D14/205	D811,364 S *	2/2018	Park .....	D14/205
D678,860 S *	3/2013	Hagelin .....	D14/205	D812,035 S *	3/2018	Petersen .....	D14/205
D683,327 S *	5/2013	Dougherty .....	D14/205	2001/0017925 A1 *	8/2001	Ceravolo .....	H04M 1/05
D690,284 S *	9/2013	Brennwald .....	D14/205				381/370
D691,109 S *	10/2013	Hardi .....	D14/205	2003/0103637 A1 *	6/2003	Huang .....	H04R 1/1075
D696,644 S *	12/2013	Sejпка .....	D14/205				381/309
D706,242 S *	6/2014	Yang .....	H04R 1/1066	2004/0125977 A1 *	7/2004	Hong .....	H04R 1/1033
			D14/205				381/376
D712,375 S *	9/2014	Miyake .....	D14/205	2009/0205110 A1 *	8/2009	Chiang .....	A61F 11/06
							2/209
				2016/0080853 A1 *	3/2016	Chen .....	H04R 1/1041
							381/74

\* cited by examiner

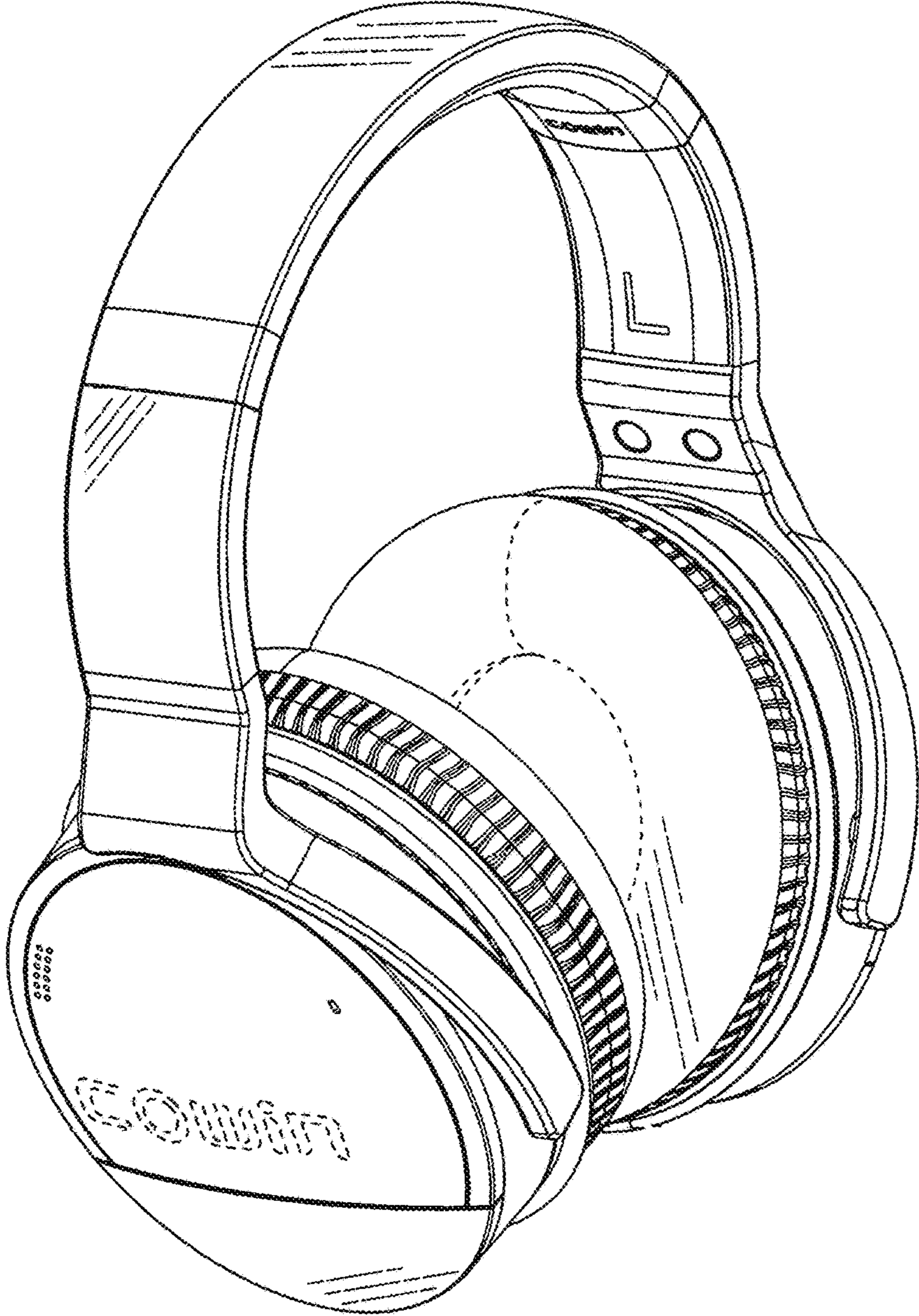


FIG. 1

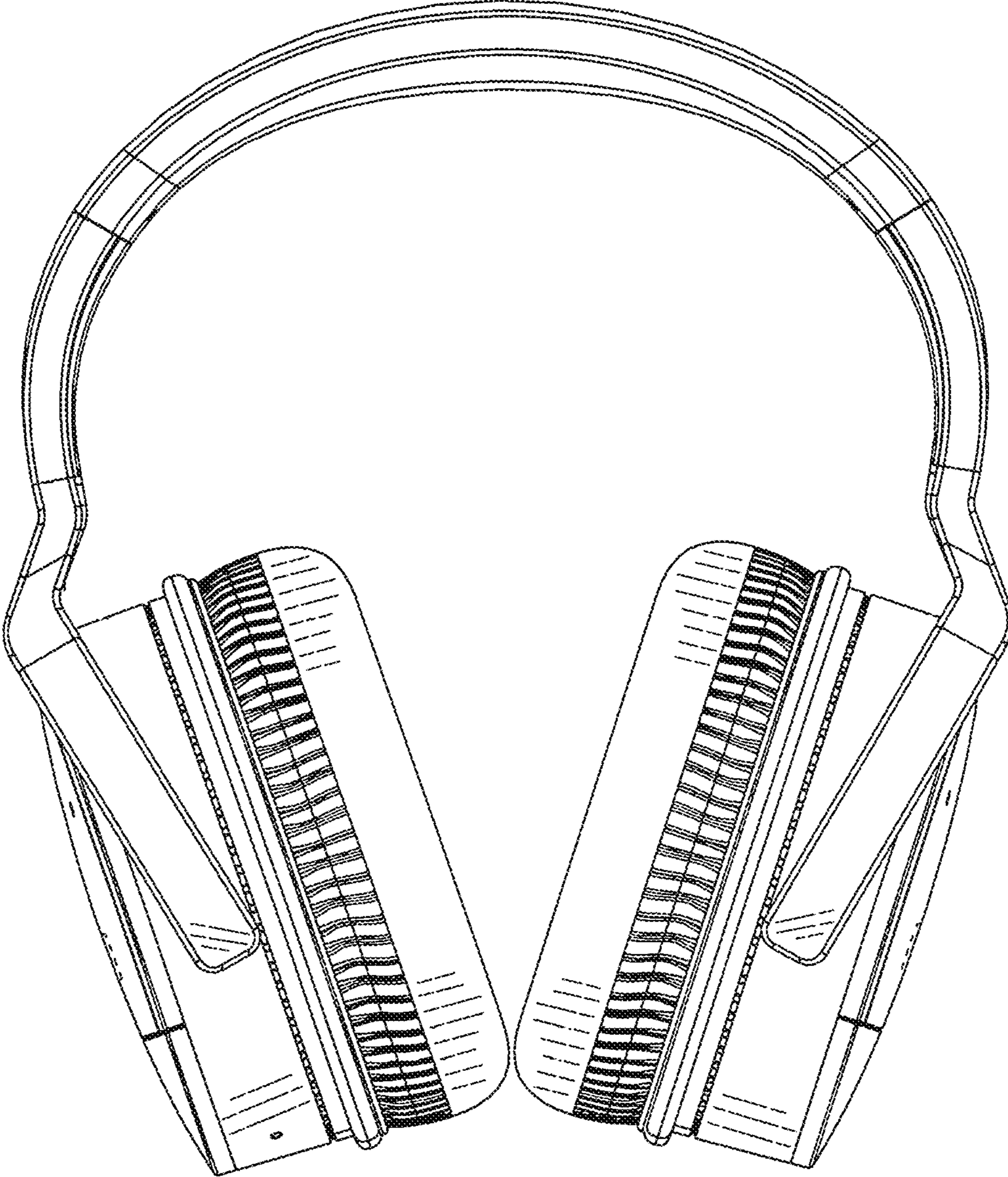


FIG. 2



FIG. 3

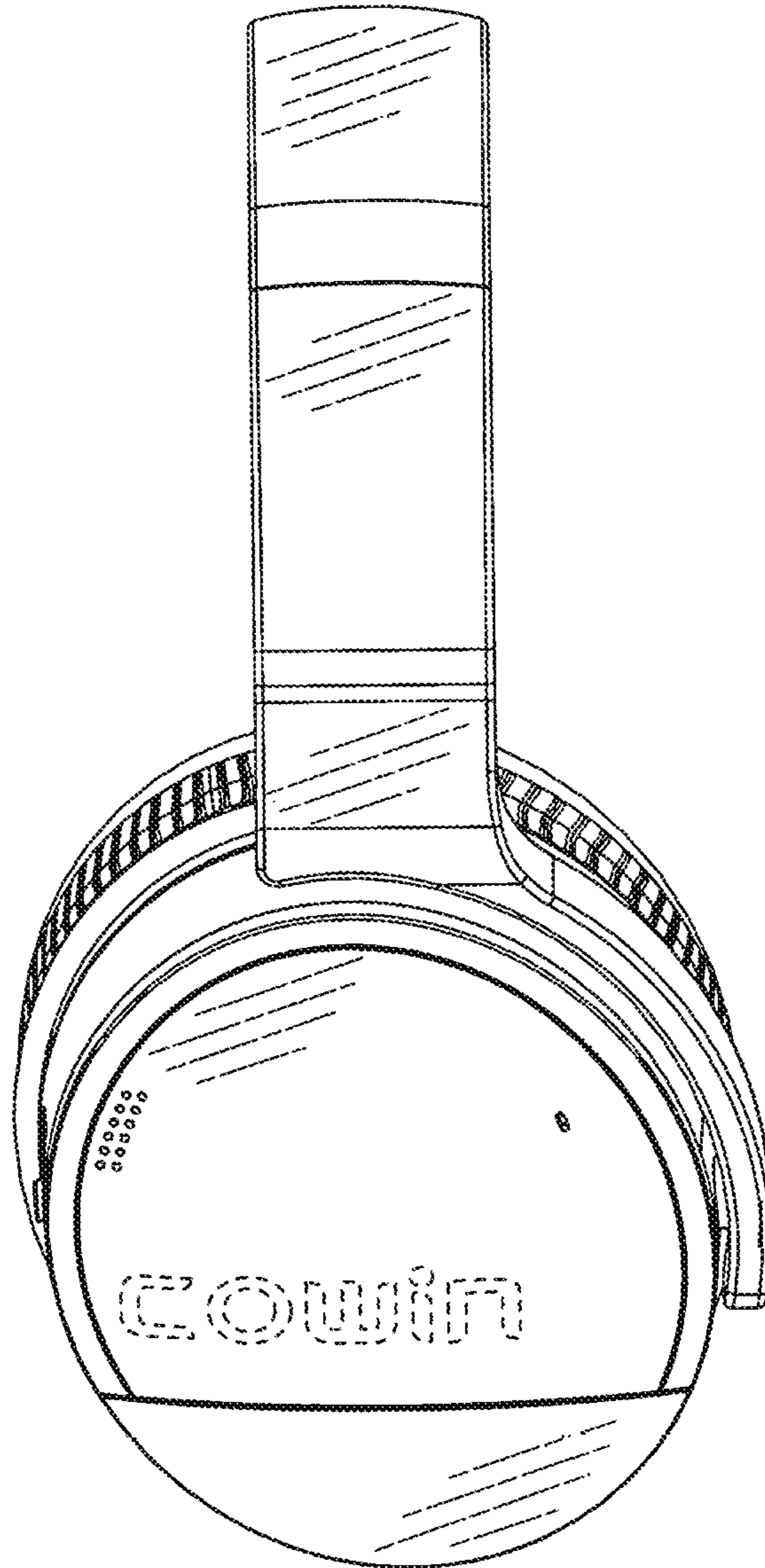


FIG. 4

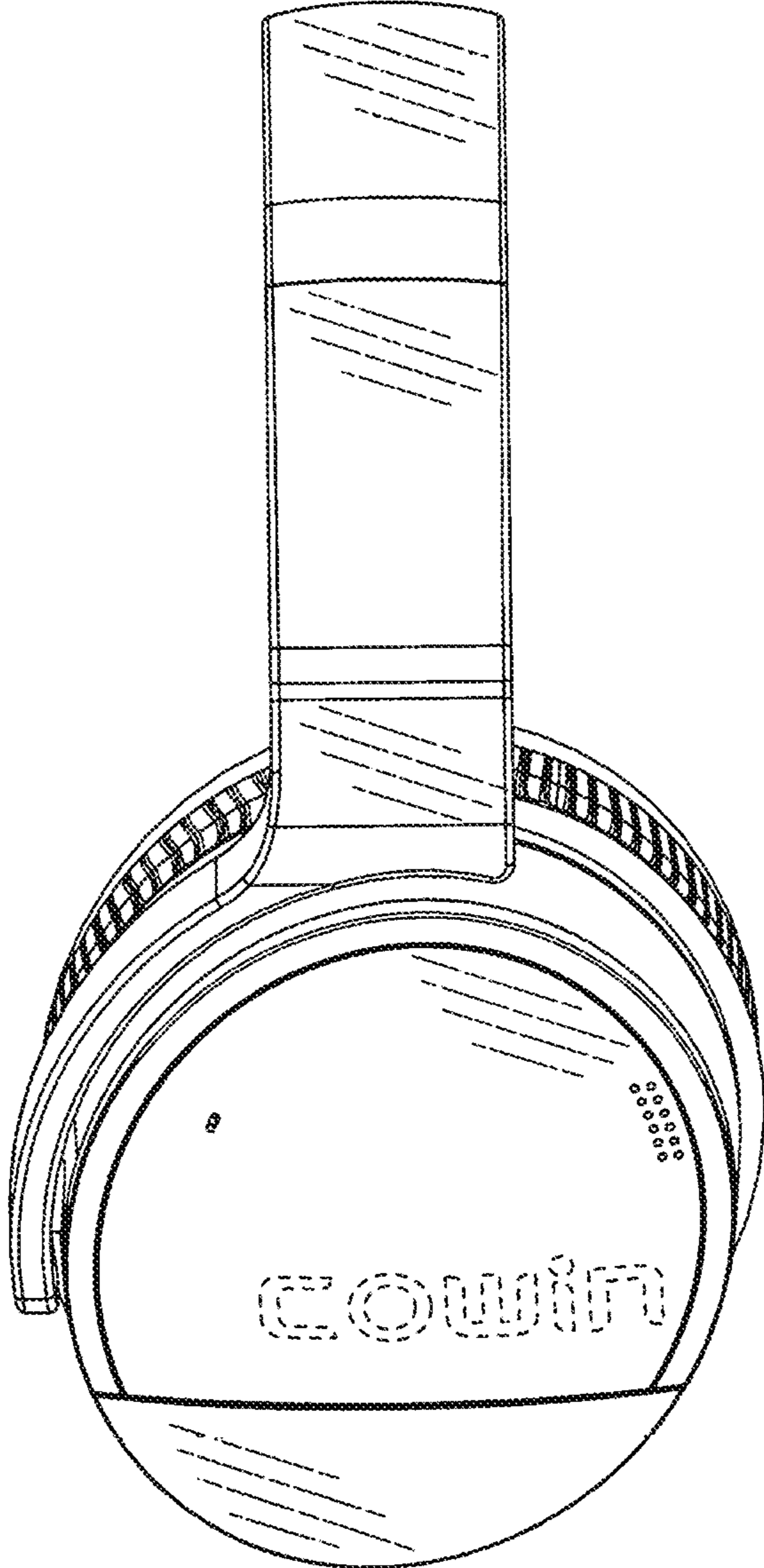


FIG. 5

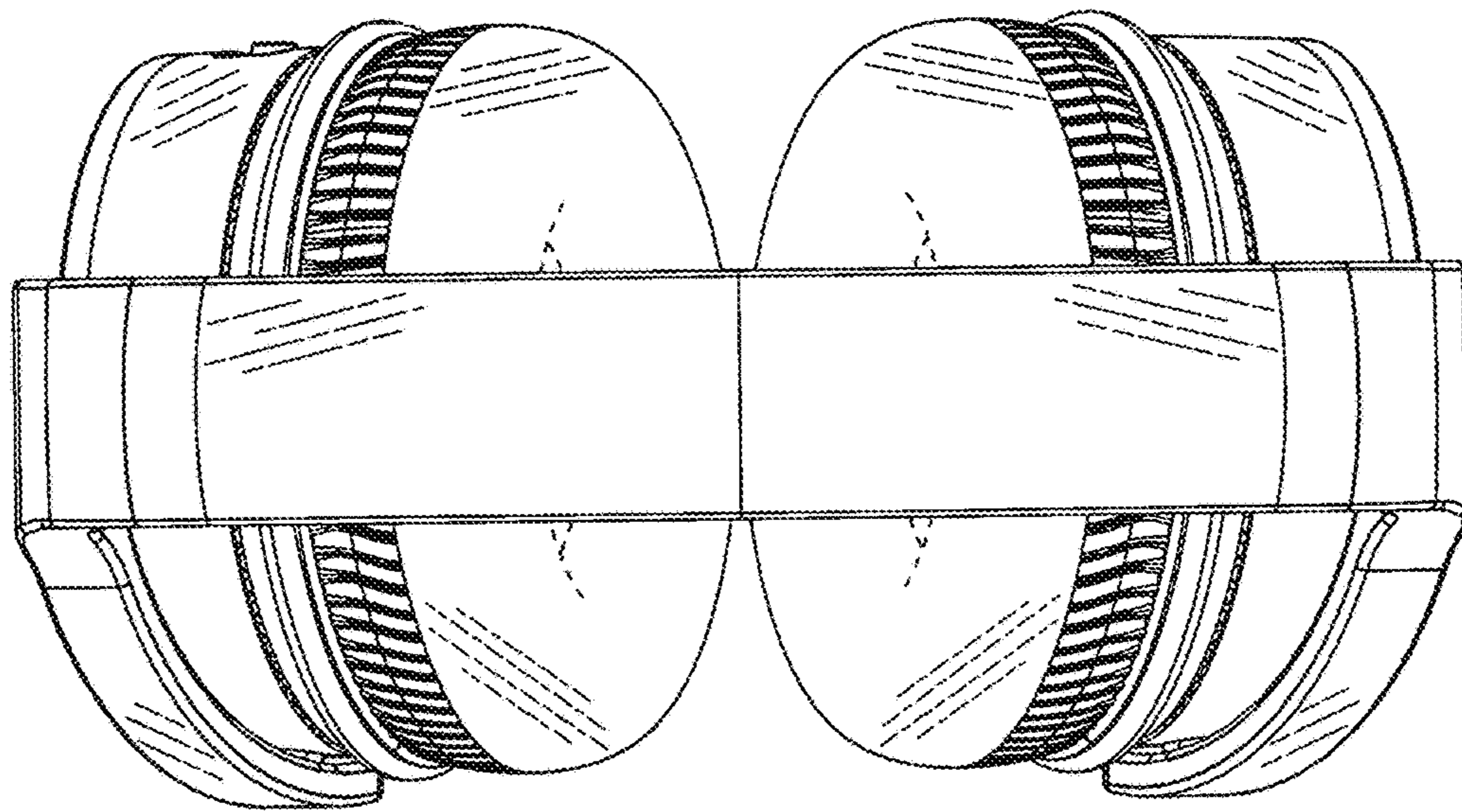


FIG. 6



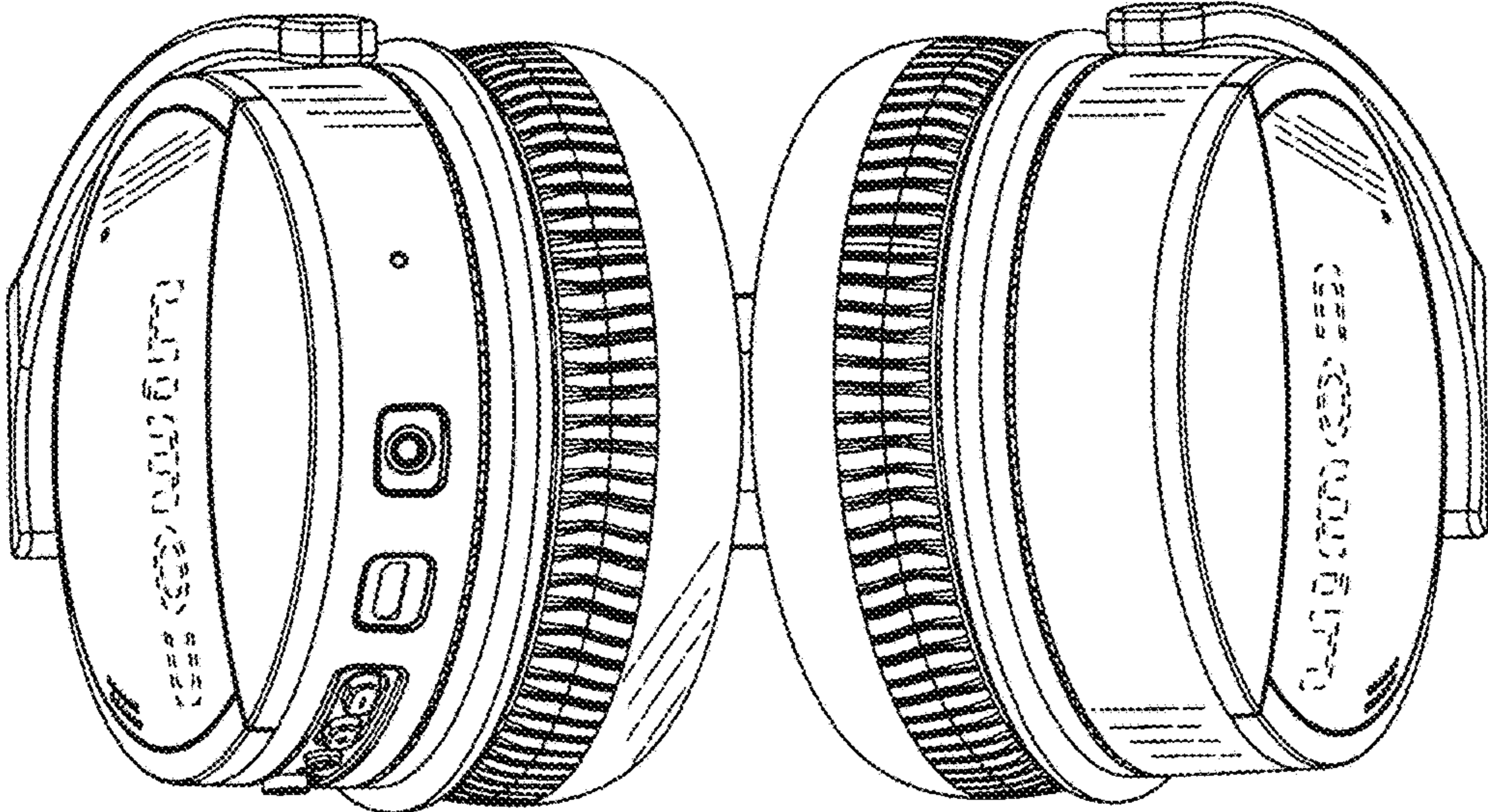


FIG. 7