



US00D852163S

(12) **United States Design Patent**  
**Nagamine et al.**

(10) **Patent No.:** **US D852,163 S**  
(45) **Date of Patent:** **\*\* Jun. 25, 2019**

(54) **HEADPHONE**

(71) Applicant: **AUDIO-TECHNICA CORPORATION**, Tokyo (JP)

(72) Inventors: **Takaya Nagamine**, Tokyo (JP); **Shohei Araki**, Kanagawa (JP)

(73) Assignee: **AUDIO-TECHNICA CORPORATION**, Tokyo (JP)

(\*\*) Term: **15 Years**

(21) Appl. No.: **29/599,739**

(22) Filed: **Apr. 6, 2017**

(30) **Foreign Application Priority Data**

Oct. 7, 2016 (JP) ..... 2016-021902

(51) **LOC (11) Cl.** ..... **14-01**

(52) **U.S. Cl.**  
USPC ..... **D14/205**

(58) **Field of Classification Search**  
USPC ..... D14/205, 223; D29/112; 2/209;  
181/129, 130, 135; 379/430, 431;  
381/380, 381, 374; 455/90.3, 575.1,  
455/569.1  
CPC .... H04R 1/1066; H04R 1/1016; H04R 5/033;  
H04R 5/0335; H04R 25/00; H04R 1/1091  
See application file for complete search history.

(56) **References Cited**

**U.S. PATENT DOCUMENTS**

- 3,454,964 A \* 7/1969 Brinkhoff ..... A61F 11/14  
2/209
- D229,833 S \* 1/1974 Woodbury ..... D14/205
- 3,815,155 A \* 6/1974 Davison ..... A42B 3/166  
2/209
- 5,018,599 A \* 5/1991 Dohi ..... H04R 1/1008  
181/129

- 5,068,923 A \* 12/1991 Sjoqvist ..... A61F 11/14  
181/129
- 5,406,037 A \* 4/1995 Nageno ..... H04R 5/0335  
181/129
- D410,466 S \* 6/1999 Mouri ..... D14/205
- D484,485 S \* 12/2003 Matsuoka ..... D14/205
- D491,163 S \* 6/2004 Green ..... D14/205
- D512,708 S \* 12/2005 Harris, Jr. .... D14/205
- D532,407 S \* 11/2006 Motoishi ..... D14/205
- D540,301 S \* 4/2007 Obata ..... D14/205
- D541,255 S \* 4/2007 Taylor ..... D14/205
- D563,382 S \* 3/2008 Wikel ..... D14/205

(Continued)

*Primary Examiner* — Paula Allen Greene  
(74) *Attorney, Agent, or Firm* — W&C IP

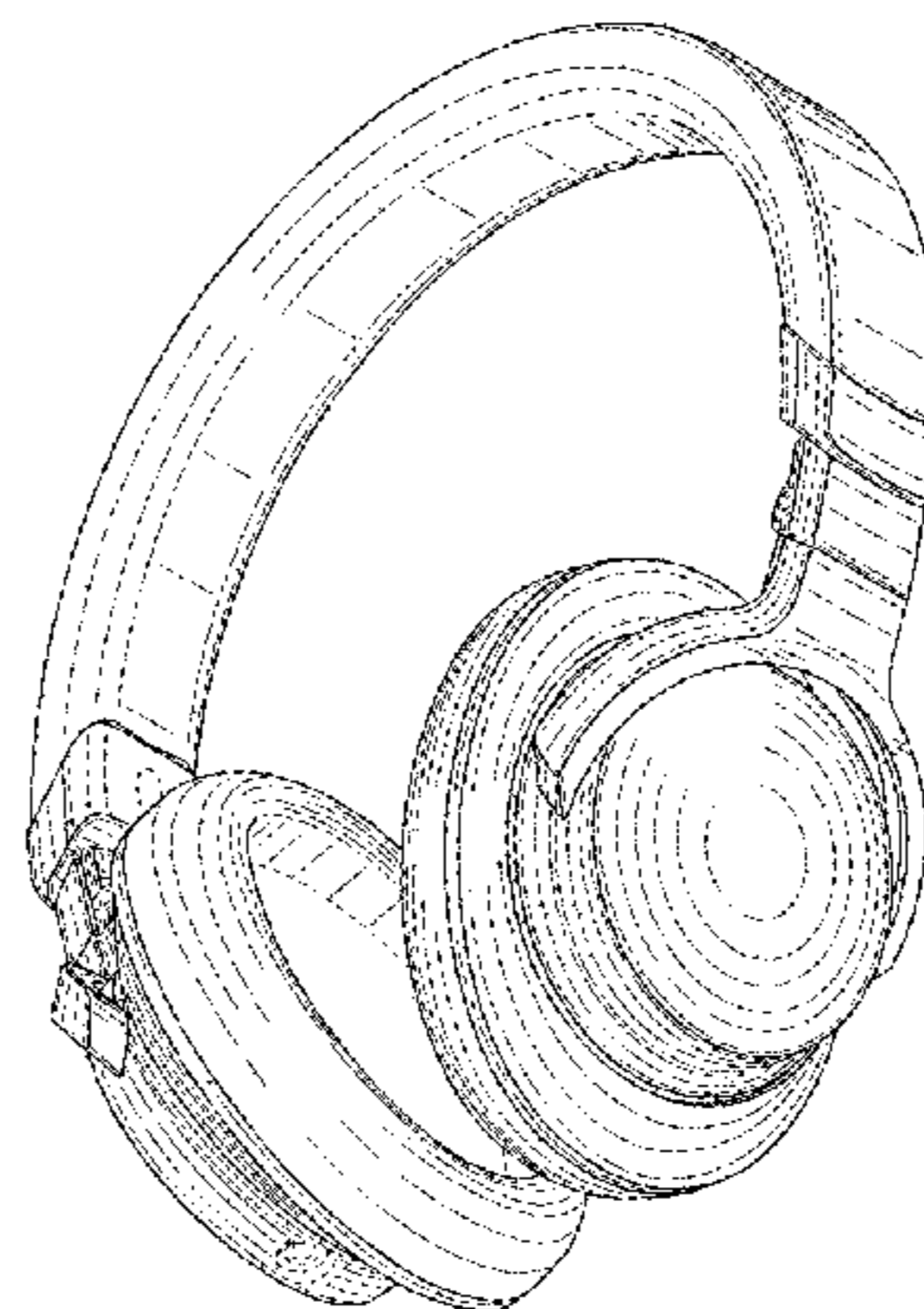
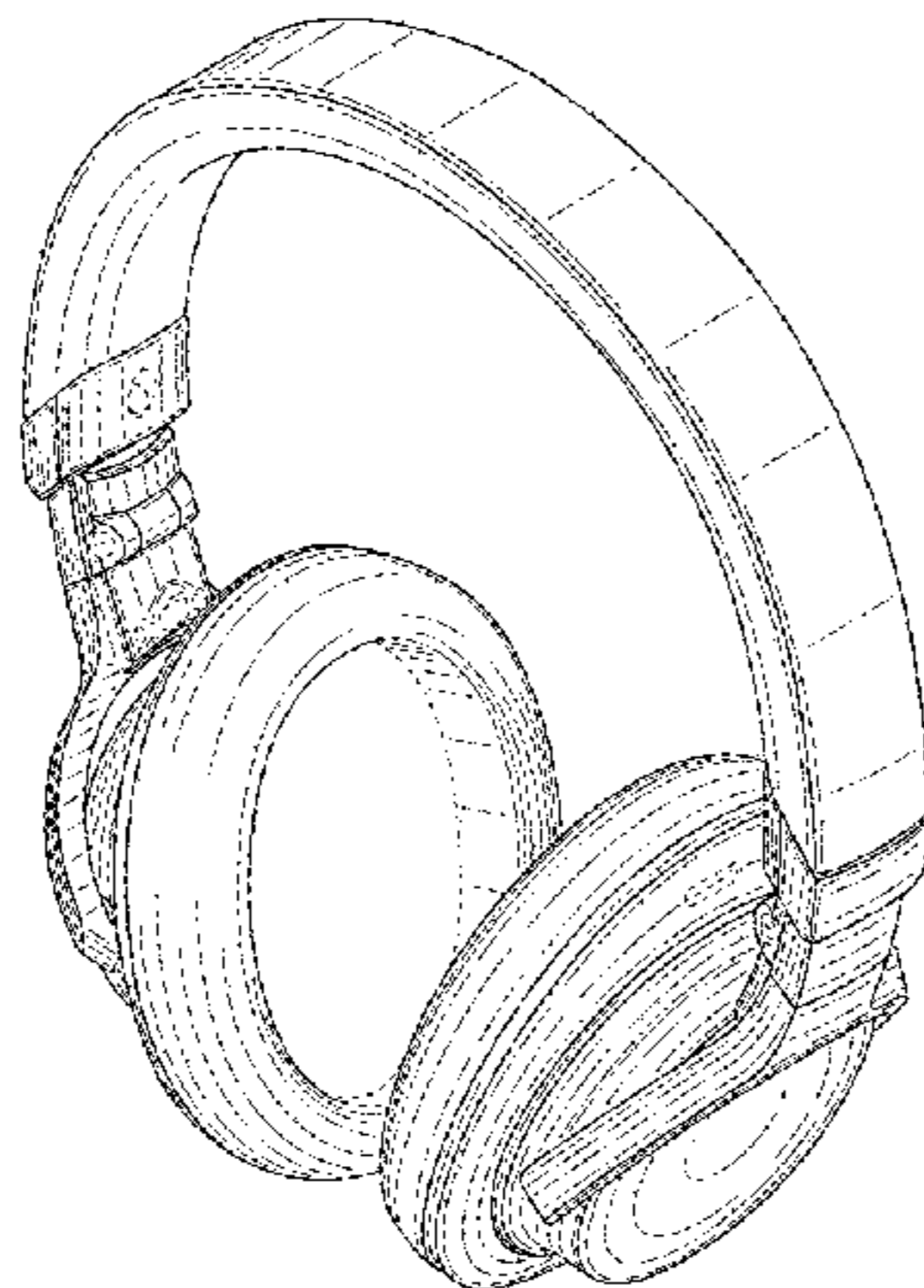
(57) **CLAIM**

We claim the ornamental design for a headphone, as shown and described.

**DESCRIPTION**

FIG. 1 is a front side perspective view of a headphone; FIG. 2 is a rear side perspective view of the headphone; FIG. 3 is a front elevational view of the headphone; FIG. 4 is a rear elevational view of the headphone; FIG. 5 is a top plan view of the headphone; FIG. 6 is a bottom plan view of the headphone; FIG. 7 is a left side elevational view of the headphone; FIG. 8 is a right side elevational view of the headphone; FIG. 9 is a front elevational view showing parts of housings being adjacent to Y-shaped parts of hangers of the headphone; FIG. 10 is a left side elevational view showing parts of housings being adjacent to Y-shaped parts of hangers of the headphone; and, FIG. 11 is an enlarged partial end view of the headphone taken along line 11-11 of FIG. 10. Portions of the drawings shown in broken lines form no part of the claimed design.

**1 Claim, 11 Drawing Sheets**



(56)

References Cited

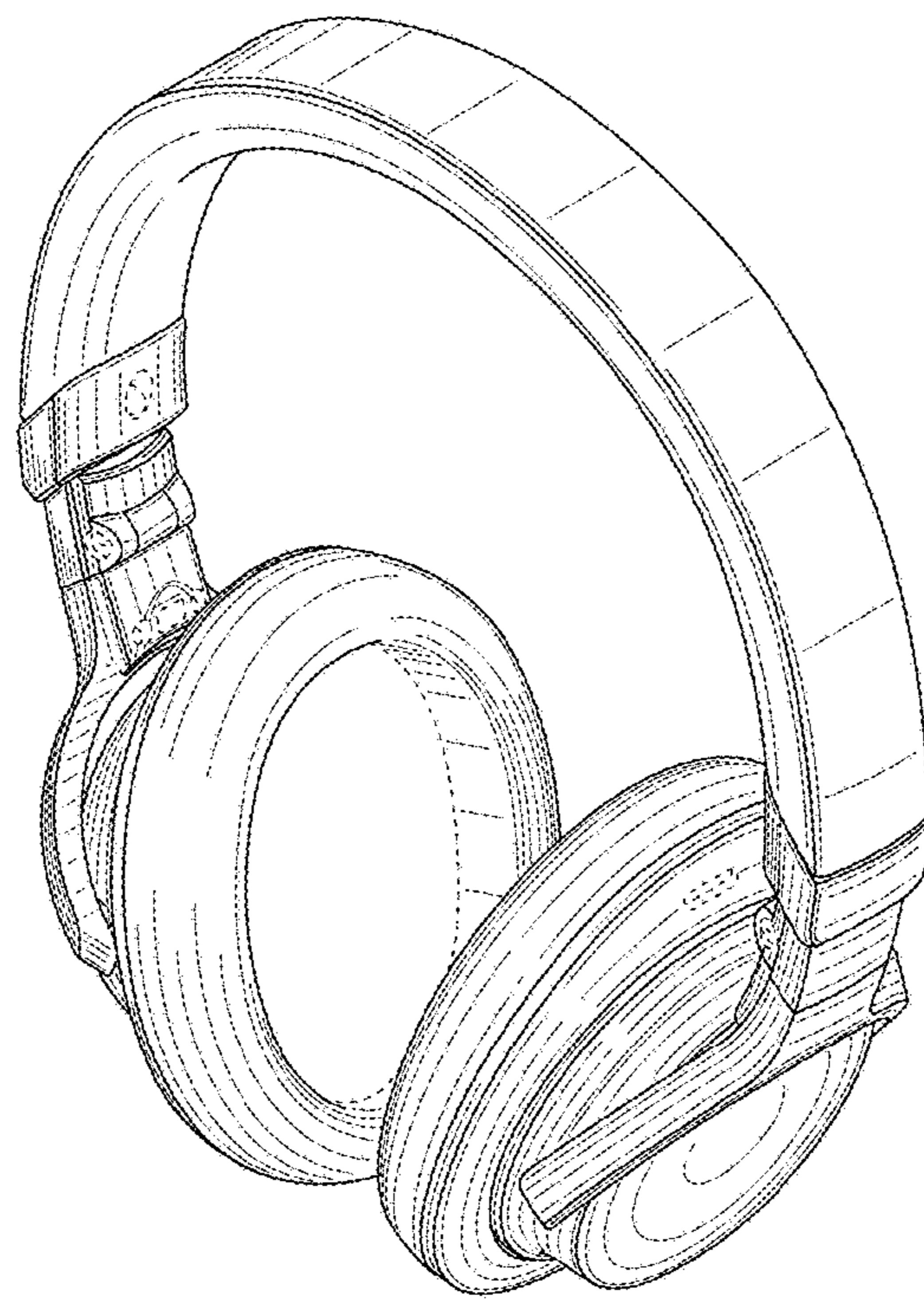
U.S. PATENT DOCUMENTS

7,388,960 B2 \* 6/2008 Kuo ..... H04R 1/1041  
379/430  
D581,394 S \* 11/2008 Lee ..... D14/205  
D585,871 S \* 2/2009 Lee ..... D14/205  
D592,639 S \* 5/2009 Kuh ..... D14/205  
D594,847 S \* 6/2009 Suzuki ..... D14/205  
D620,474 S \* 7/2010 Komiyama ..... D14/205  
D635,959 S \* 4/2011 Hutchieson ..... D14/205  
D639,776 S \* 6/2011 Arimoto ..... D14/205  
8,098,872 B2 \* 1/2012 Chang ..... H04R 1/1075  
381/370  
D665,775 S \* 8/2012 Katsumata ..... D14/205  
8,325,962 B2 \* 12/2012 Ishida ..... H04R 5/0335  
381/370  
D678,860 S \* 3/2013 Hagelin ..... D14/205  
D683,329 S \* 5/2013 Hagelin ..... D14/205  
D691,579 S \* 10/2013 Lee ..... D14/205  
D705,750 S \* 5/2014 Wu ..... H04R 1/1066  
D14/205  
D706,240 S \* 6/2014 Szymanski ..... H04R 1/1066  
D14/205  
D706,241 S \* 6/2014 Szymanski ..... H04R 1/1066  
D14/205  
D716,762 S \* 11/2014 Greve ..... D14/206

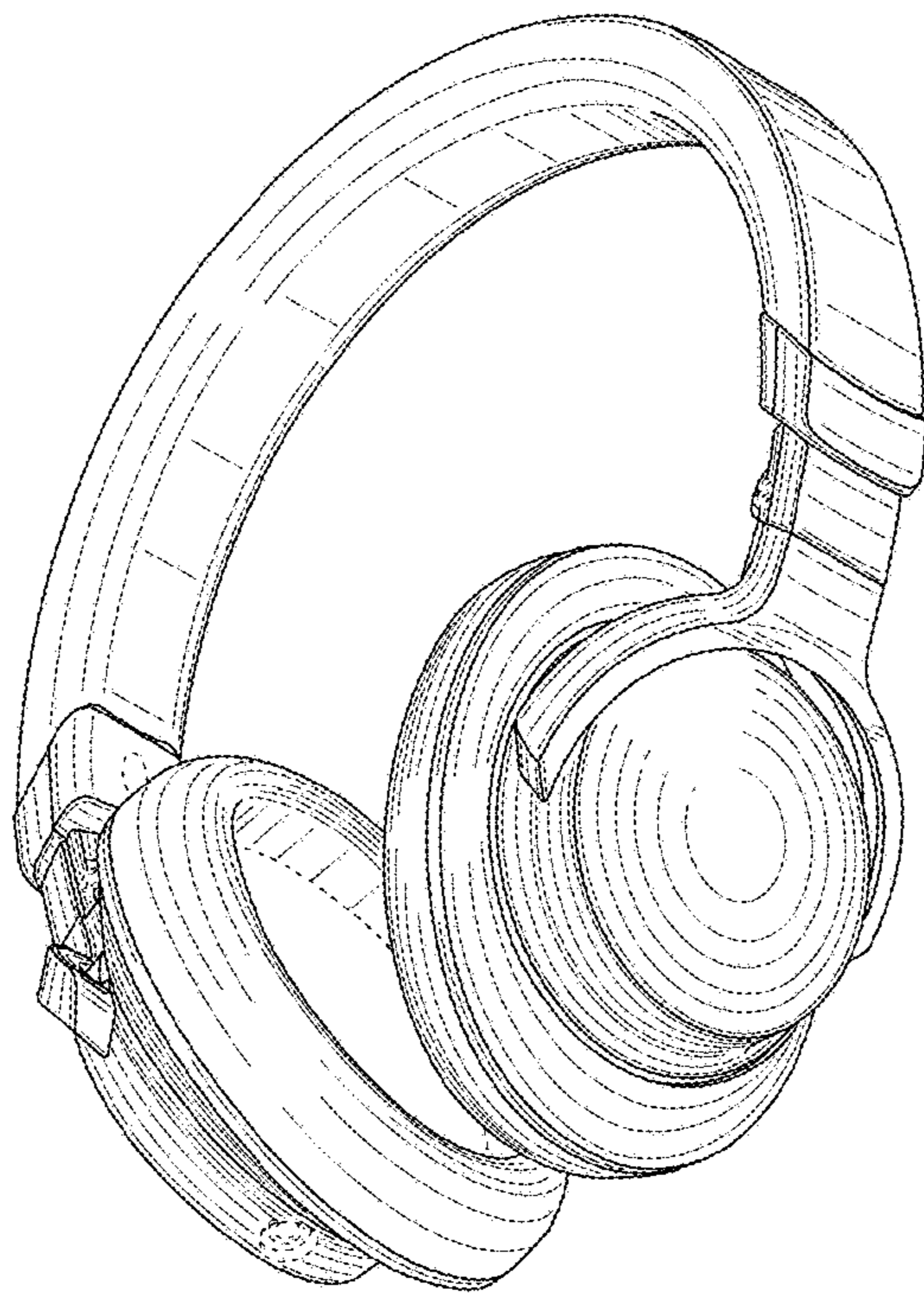
D719,136 S \* 12/2014 Schaal ..... D14/205  
D721,052 S \* 1/2015 Carr ..... D14/205  
D729,194 S \* 5/2015 Boeckel ..... D14/205  
D734,297 S \* 7/2015 Sasaki ..... D14/205  
D737,799 S \* 9/2015 Carr ..... D14/205  
D741,289 S \* 10/2015 Schaal ..... D14/205  
D758,337 S \* 6/2016 Szymanski ..... D14/205  
D761,761 S \* 7/2016 Ando ..... D14/205  
D765,055 S \* 8/2016 Hsieh ..... D14/205  
D767,531 S \* 9/2016 Szymanski ..... D14/205  
D776,081 S \* 1/2017 Willman ..... D14/205  
D784,298 S \* 4/2017 Ozawa ..... D14/223  
D787,470 S \* 5/2017 Kelly ..... D14/205  
D800,691 S \* 10/2017 Ando ..... D14/205  
D811,365 S \* 2/2018 Czaniecki ..... D14/205  
D813,837 S \* 3/2018 Paterson ..... D14/205  
2008/0069391 A1 \* 3/2008 Steyn ..... H04R 1/1025  
381/371  
2010/0310093 A1 \* 12/2010 Semcken ..... H04R 1/1058  
381/104  
2013/0177165 A1 \* 7/2013 Oishi ..... H04R 1/1041  
381/74  
2014/0363016 A1 \* 12/2014 Blonder ..... H04R 1/1025  
381/74

\* cited by examiner

**FIG. 1**



**FIG. 2**



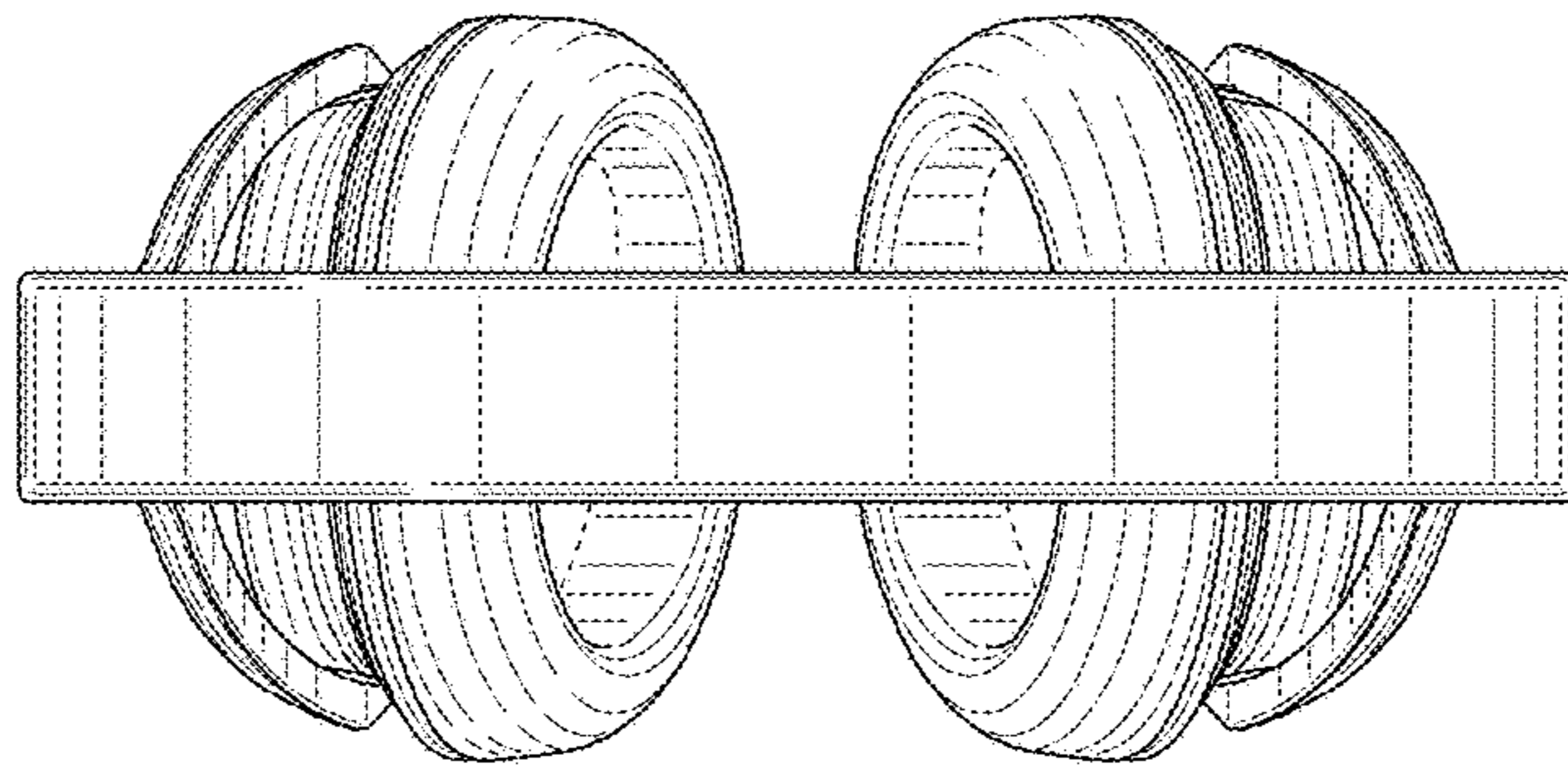
*FIG. 3*



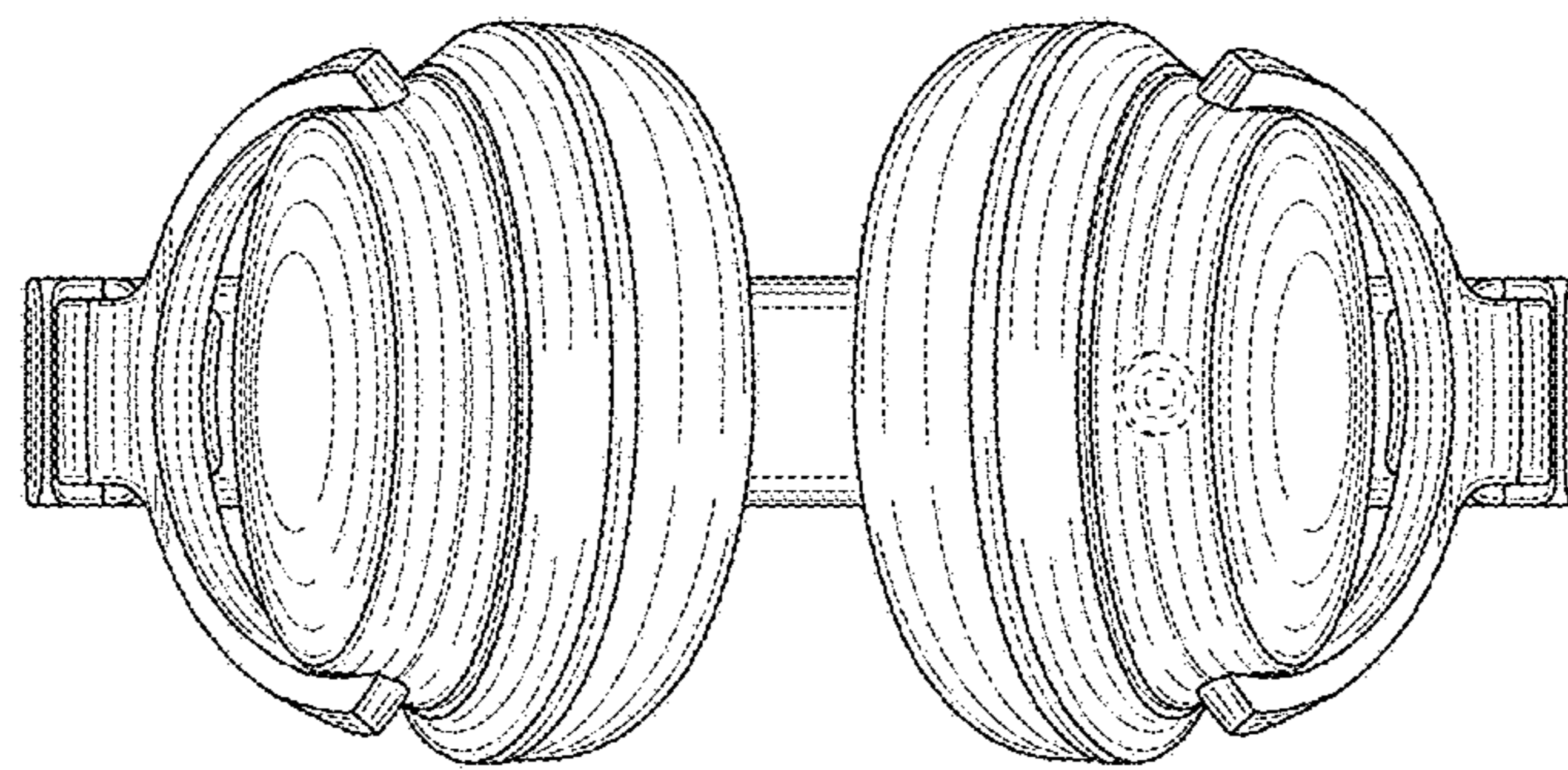
**FIG. 4**



*FIG. 5*

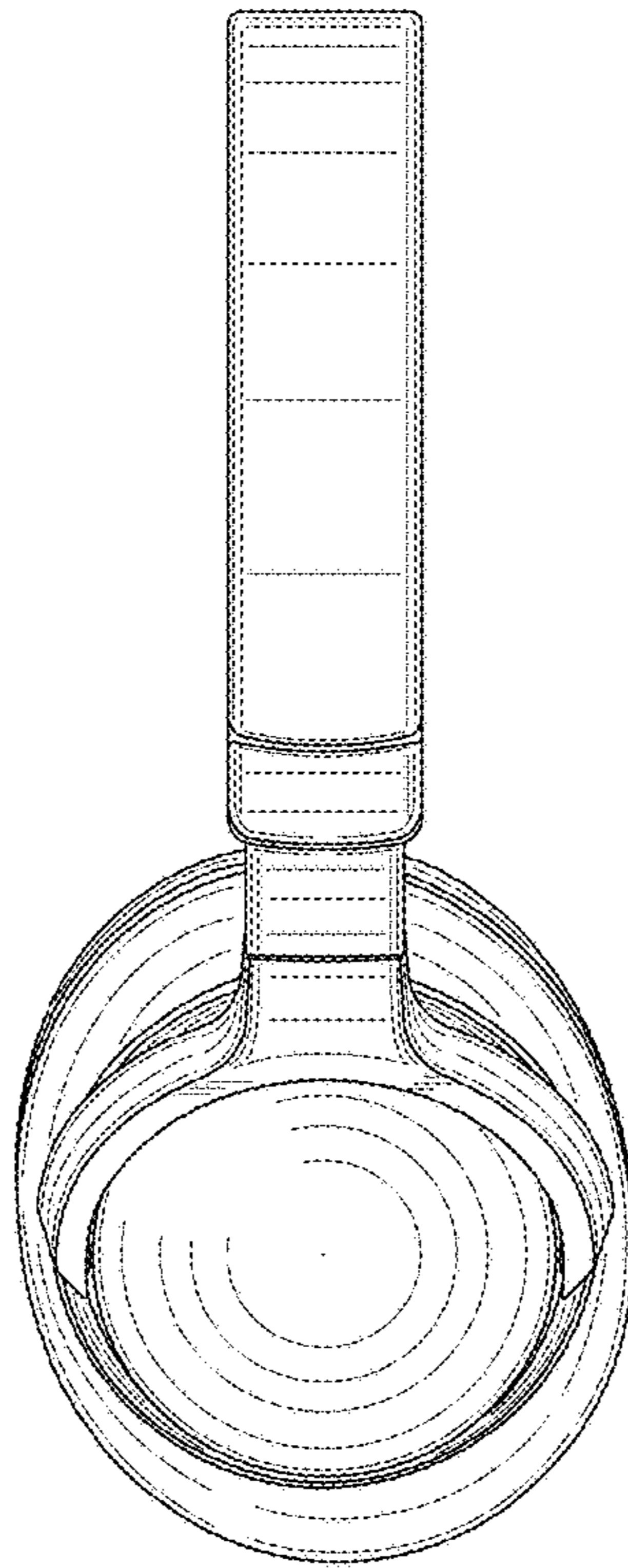


*FIG. 6*

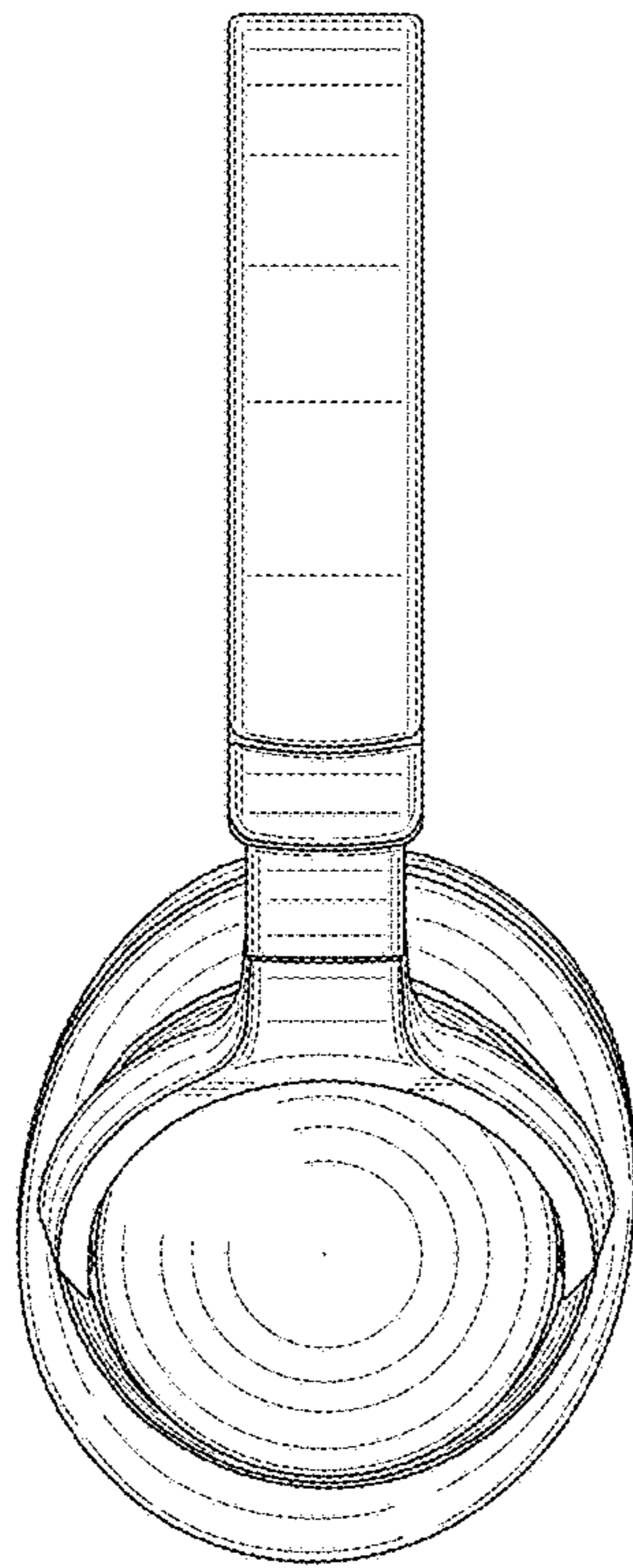




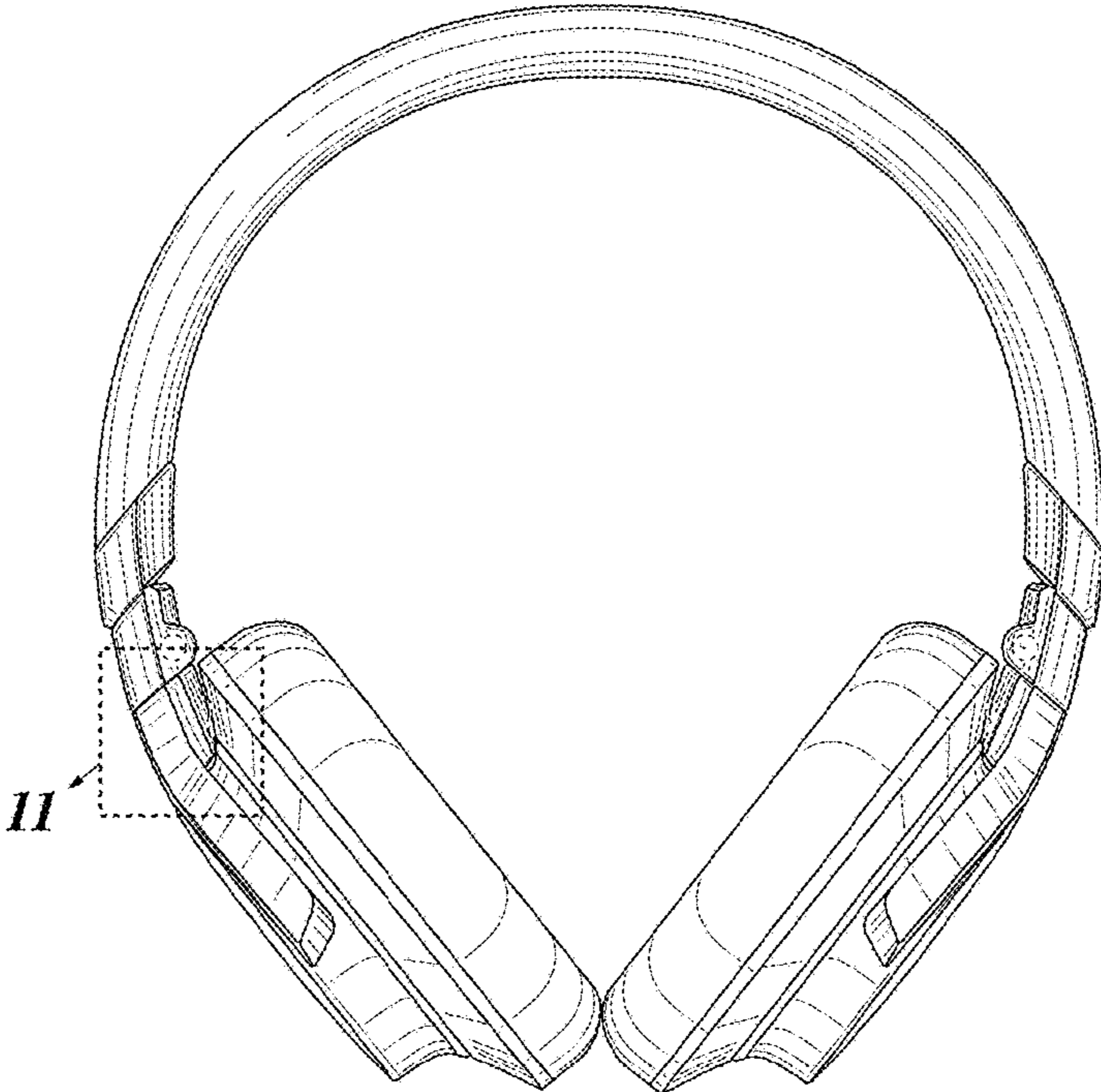
**FIG. 7**



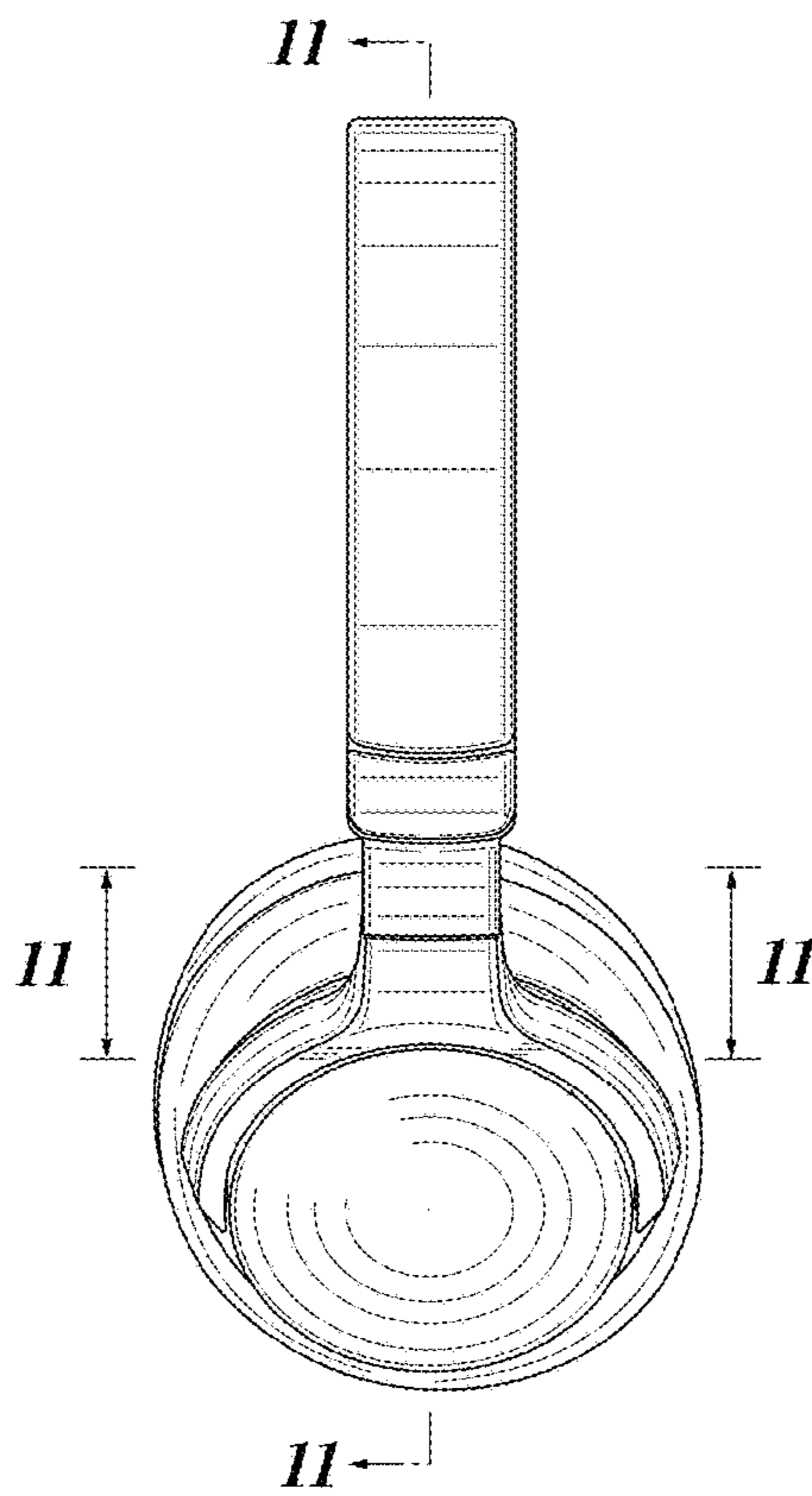
*FIG. 8*



**FIG. 9**



**FIG. 10**



**FIG. 11**

