



US00D852161S

(12) **United States Design Patent** (10) **Patent No.:** **US D852,161 S**  
**Hannibal, III et al.** (45) **Date of Patent:** **\*\* Jun. 25, 2019**

(54) **AUDIO ELECTRONIC DEVICE**

EAlalQobChMIvNbT-\_aW4AIVicDICh1xJQLzEAkYDC  
ABEgL7vfD\_BwE >, retrieved Jan. 31, 2019.\*

(71) Applicants: **John Edward Hannibal, III**, Olmsted Township, OH (US); **Rhonda Sue Buynak**, Garfield Heights, OH (US); **Edward James Yenni**, Bay Village, OH (US); **Patrick W. Brown**, Cleveland Heights, OH (US)

(Continued)

*Primary Examiner* — Jeffrey D Asch  
*Assistant Examiner* — Rebekah A Caruso  
(74) *Attorney, Agent, or Firm* — Tarolli, Sundheim, Covell & Tuminno LLP

(72) Inventors: **John Edward Hannibal, III**, Olmsted Township, OH (US); **Rhonda Sue Buynak**, Garfield Heights, OH (US); **Edward James Yenni**, Bay Village, OH (US); **Patrick W. Brown**, Cleveland Heights, OH (US)

(57) **CLAIM**

We claim the ornamental design for an audio electronic device, as shown and described.

(73) Assignee: **SOLROS, LLC**, Cleveland, OH (US)

**DESCRIPTION**

(\*\*) Term: **15 Years**

(21) Appl. No.: **29/614,076**

(22) Filed: **Aug. 16, 2017**

(51) **LOC (11) Cl.** ..... **14-01**

(52) **U.S. Cl.**  
USPC ..... **D14/172; D14/188; D14/214**

(58) **Field of Classification Search**  
USPC ..... D14/204, 207, 210–216, 172, 176, 177,  
D14/188, 189, 209.1, 203.2, 221, 508,  
(Continued)

FIG. 1 is a top perspective view of one embodiment of an audio electronic device comprising a new, original and ornamental design;  
FIG. 2 is a bottom perspective view of the audio electronic device shown in FIG. 1;  
FIG. 3 is a front elevation view of the audio electronic device shown in FIG. 1;  
FIG. 4 is a rear elevation view of the audio electronic device shown in FIG. 1;  
FIG. 5 is a right side view of the audio electronic device shown in FIG. 1;  
FIG. 6 is a left side view of the audio electronic device shown in FIG. 1;  
FIG. 7 is a top plan view of the audio electronic device shown in FIG. 1;  
FIG. 8 is a bottom plan view of the audio electronic device shown in FIG. 1;  
FIG. 9 is a top perspective view of a second embodiment of the audio electronic device shown in FIG. 1;  
FIG. 10 is a bottom perspective view of the audio electronic device shown in FIG. 9;  
FIG. 11 is a front elevation view of the audio electronic device shown in FIG. 9;  
FIG. 12 is a rear elevation view of the audio electronic device shown in FIG. 9;

(56) **References Cited**

**U.S. PATENT DOCUMENTS**

D636,759 S \* 4/2011 Chen ..... D14/214  
D700,166 S \* 2/2014 Petersen ..... D14/204  
(Continued)

**OTHER PUBLICATIONS**

One Button Radio, online, no post date, <URL: <https://www.alzstore.com/one-button-radio-elderly-p/2113.htm?gclid=>

(Continued)

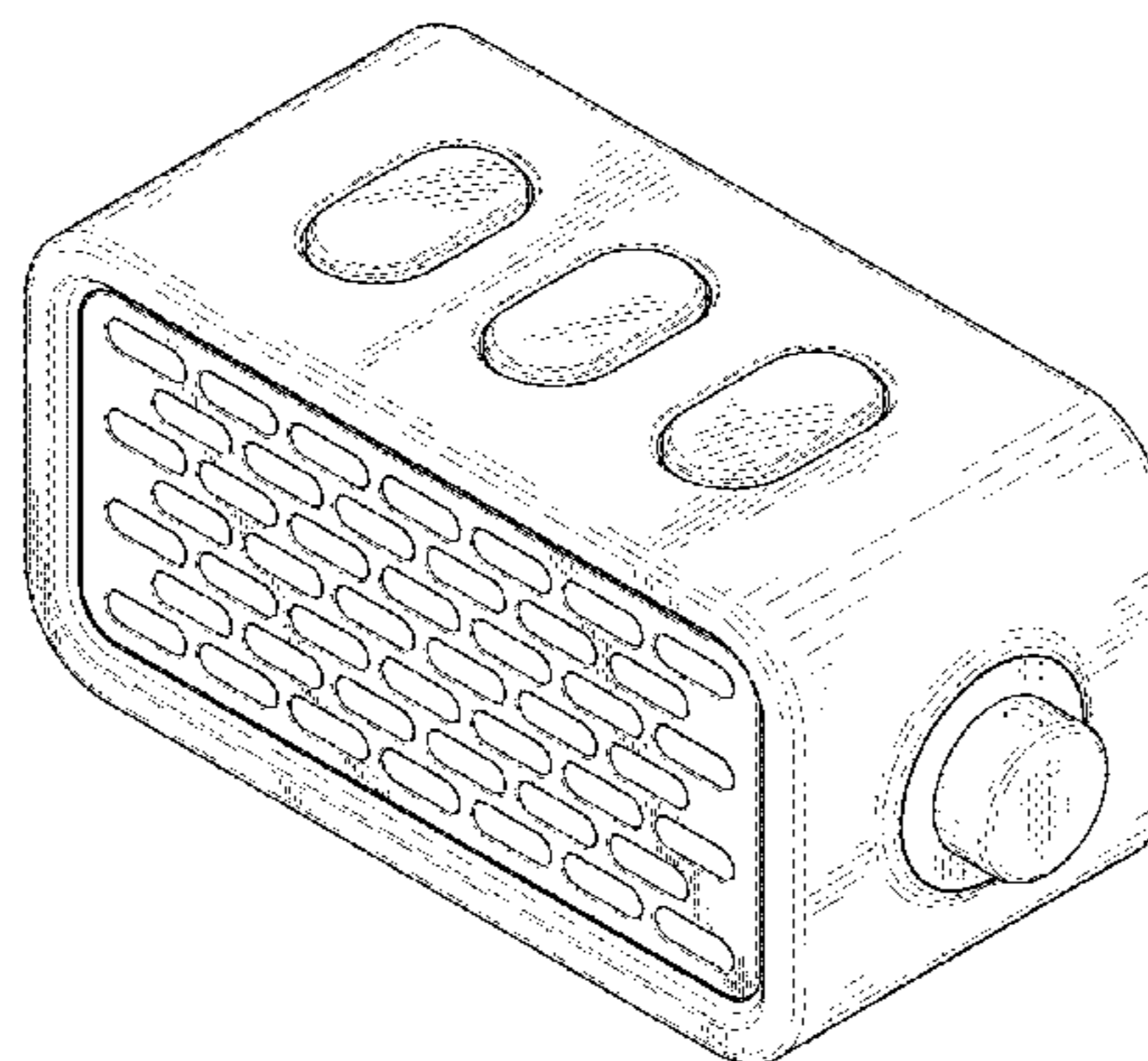


FIG. 13 is a right side view of the audio electronic device shown in FIG. 9;  
 FIG. 14 is a left side view of the audio electronic device shown in FIG. 9;  
 FIG. 15 is a top plan view of the audio electronic device shown in FIG. 9;  
 FIG. 16 is a bottom plan view of the audio electronic device shown in FIG. 9;  
 FIG. 17 is a top perspective view of a third embodiment of the audio electronic device shown in FIG. 1;  
 FIG. 18 is a bottom perspective view of the audio electronic device shown in FIG. 17;  
 FIG. 19 is a front elevation view of the audio electronic device shown in FIG. 17;  
 FIG. 20 is a rear elevation view of the audio electronic device shown in FIG. 17;  
 FIG. 21 is a right side view of the audio electronic device shown in FIG. 17;  
 FIG. 22 is a left side view of the audio electronic device shown in FIG. 17;  
 FIG. 23 is a top plan view of the audio electronic device shown in FIG. 17; and,  
 FIG. 24 is a bottom plan view of the audio electronic device shown in FIG. 17.

**1 Claim, 15 Drawing Sheets**

(58) **Field of Classification Search**

USPC ..... D14/242, 243, 314, 496, 168, 203.1,  
 D14/203.3, 203.6, 203.8, 217, 238.1, 240,  
 D14/356, 358, 401, 507, 509, 169-171,  
 D14/194, 197

CPC ... H04R 1/00; H04R 1/02; H04R 9/06; H04R  
 11/02; H04R 2400/00; H04R 1/021;  
 H04R 19/013; H04R 2420/07; H05K  
 5/00; H05K 5/03; H05K 5/04; H04B  
 1/06; H04B 1/08; H04B 1/086

See application file for complete search history.

(56)

**References Cited**

U.S. PATENT DOCUMENTS

D721,350	S	*	1/2015	Kim	.....	D14/188
D729,762	S	*	5/2015	Hu	.....	D14/194
D761,227	S	*	7/2016	Poandl	.....	D14/171
D765,616	S	*	9/2016	Corval	.....	D14/204
D769,212	S	*	10/2016	Larsen	.....	D14/204
D781,263	S	*	3/2017	Tong	.....	D14/204
D781,264	S	*	3/2017	Kim	.....	D14/204
D795,216	S	*	8/2017	Poandl	.....	D14/170
D796,480	S	*	9/2017	Sung	.....	D14/211
9,795,047	B1	*	10/2017	Lee	.....	H05K 7/1418
D803,187	S	*	11/2017	Gunnarsson	.....	D14/214
D824,879	S	*	8/2018	Vogt, Jr.	.....	D14/214
D831,612	S	*	10/2018	Usuru	.....	D14/214
D833,416	S	*	11/2018	Hu	.....	D14/204
D837,185	S	*	1/2019	Enqvist	.....	D14/214
D838,354	S	*	1/2019	Farone	.....	D23/364
2014/0355806	A1	*	12/2014	Graff	.....	H04R 1/025 381/334

OTHER PUBLICATIONS

Simple Music Player, online, no post date, <URL: [https://www.alzstore.com/music-player-p/2115.htm?gclid=EAlalQobChMlvNbT\\_aW4AIVicDICH1xJQLzEakYCSABEgKqqfD\\_BwE](https://www.alzstore.com/music-player-p/2115.htm?gclid=EAlalQobChMlvNbT_aW4AIVicDICH1xJQLzEakYCSABEgKqqfD_BwE)>, retrieved Jan. 31, 2019.\*

\* cited by examiner

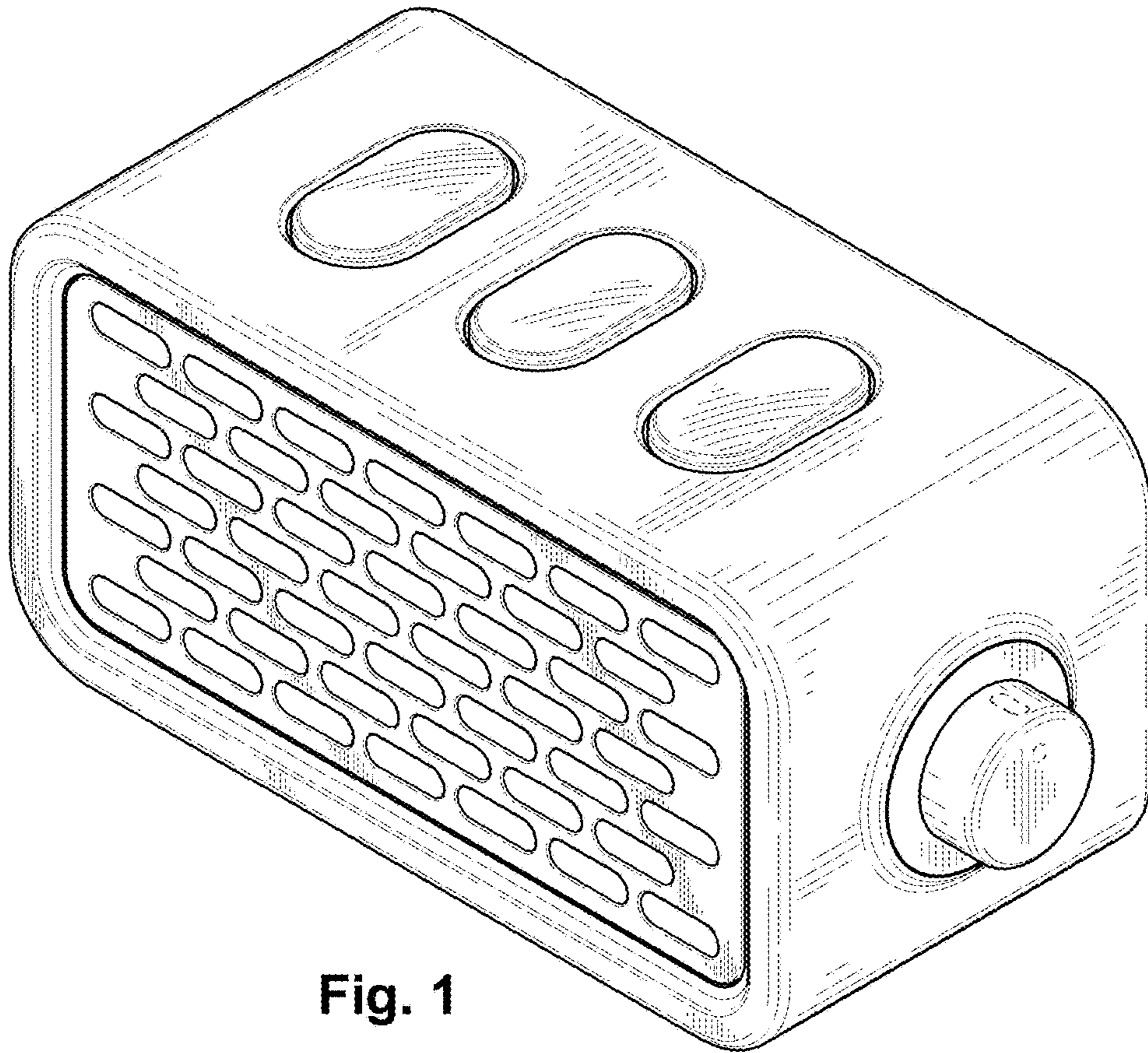


Fig. 1

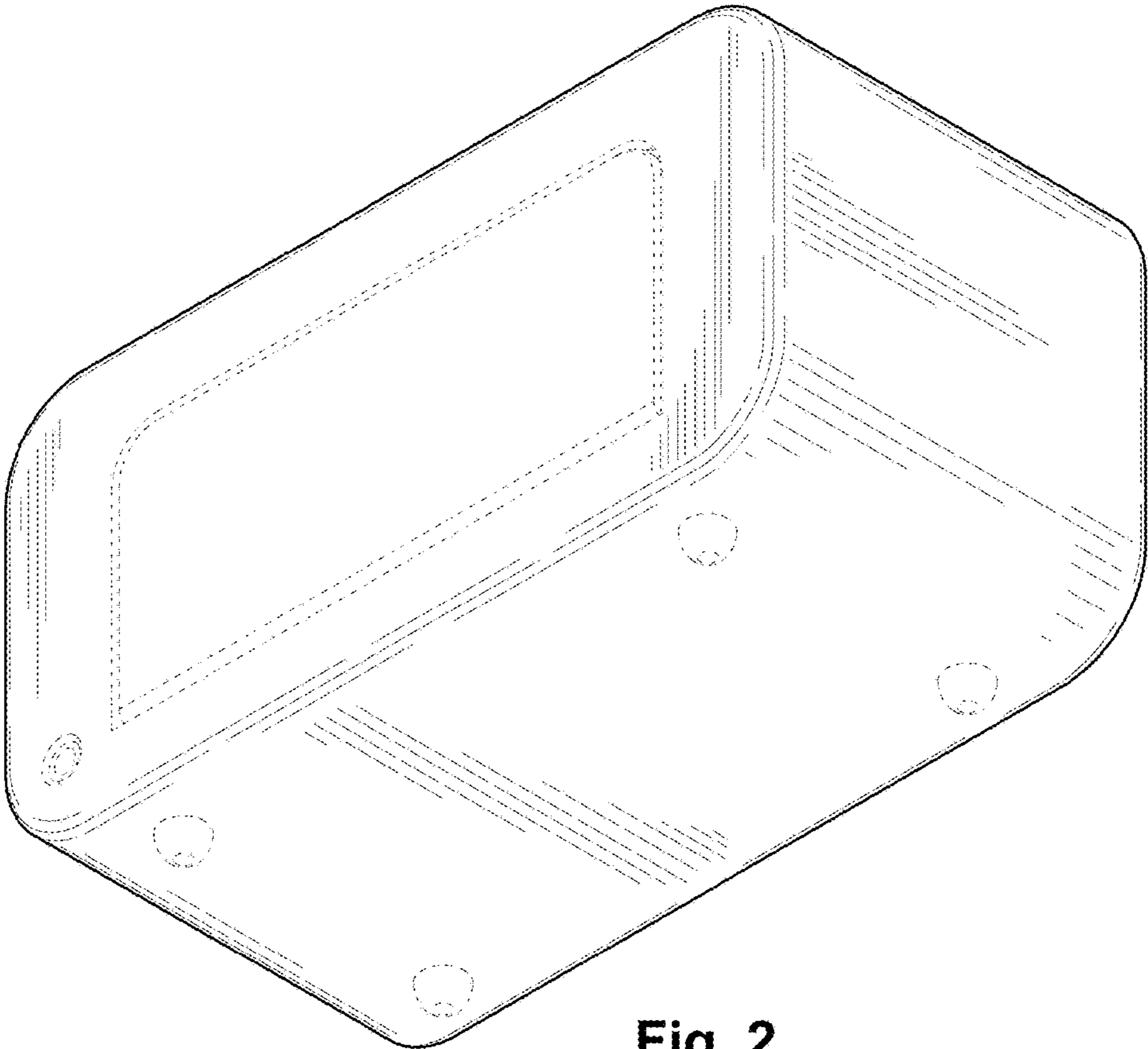


Fig. 2

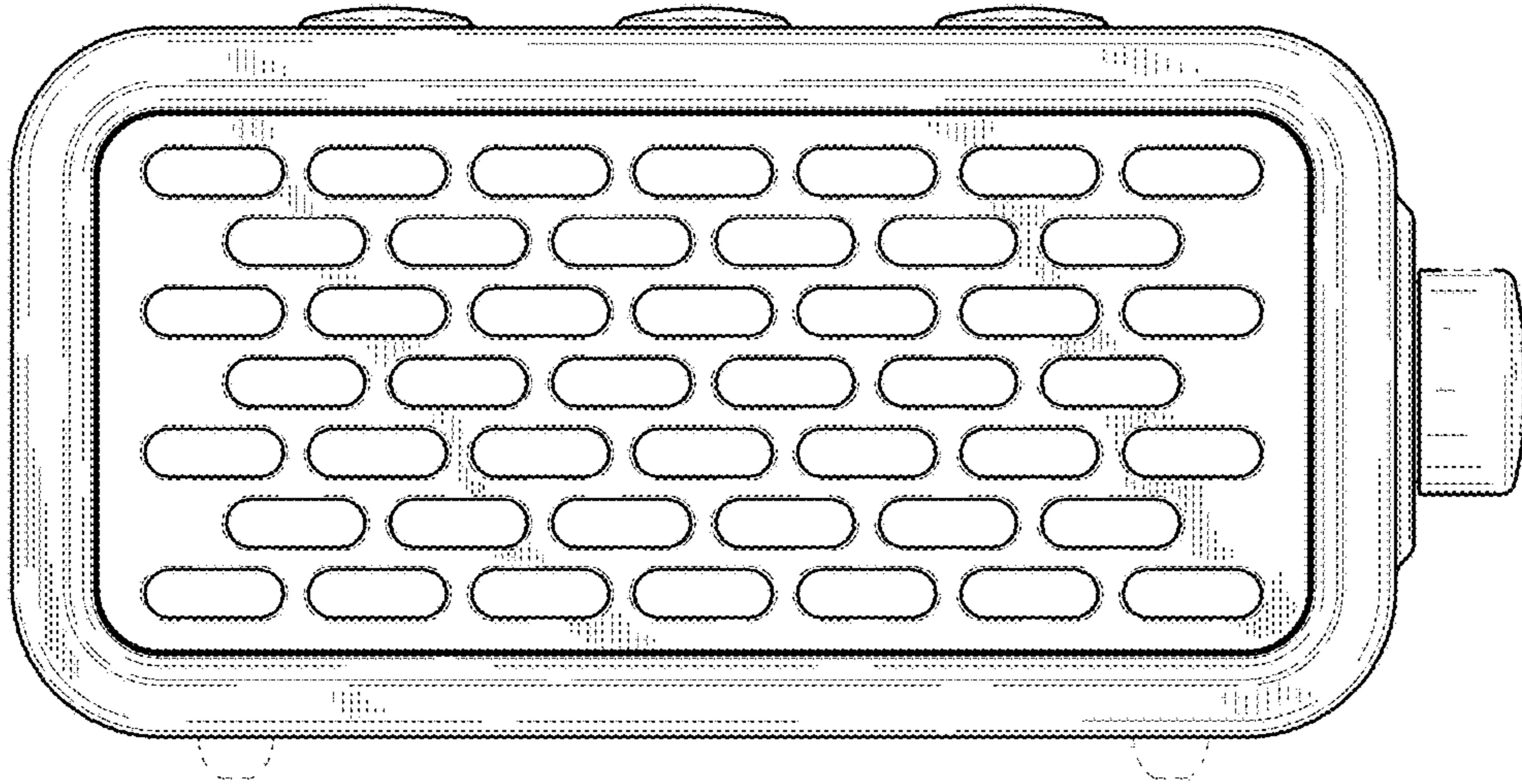


Fig. 3

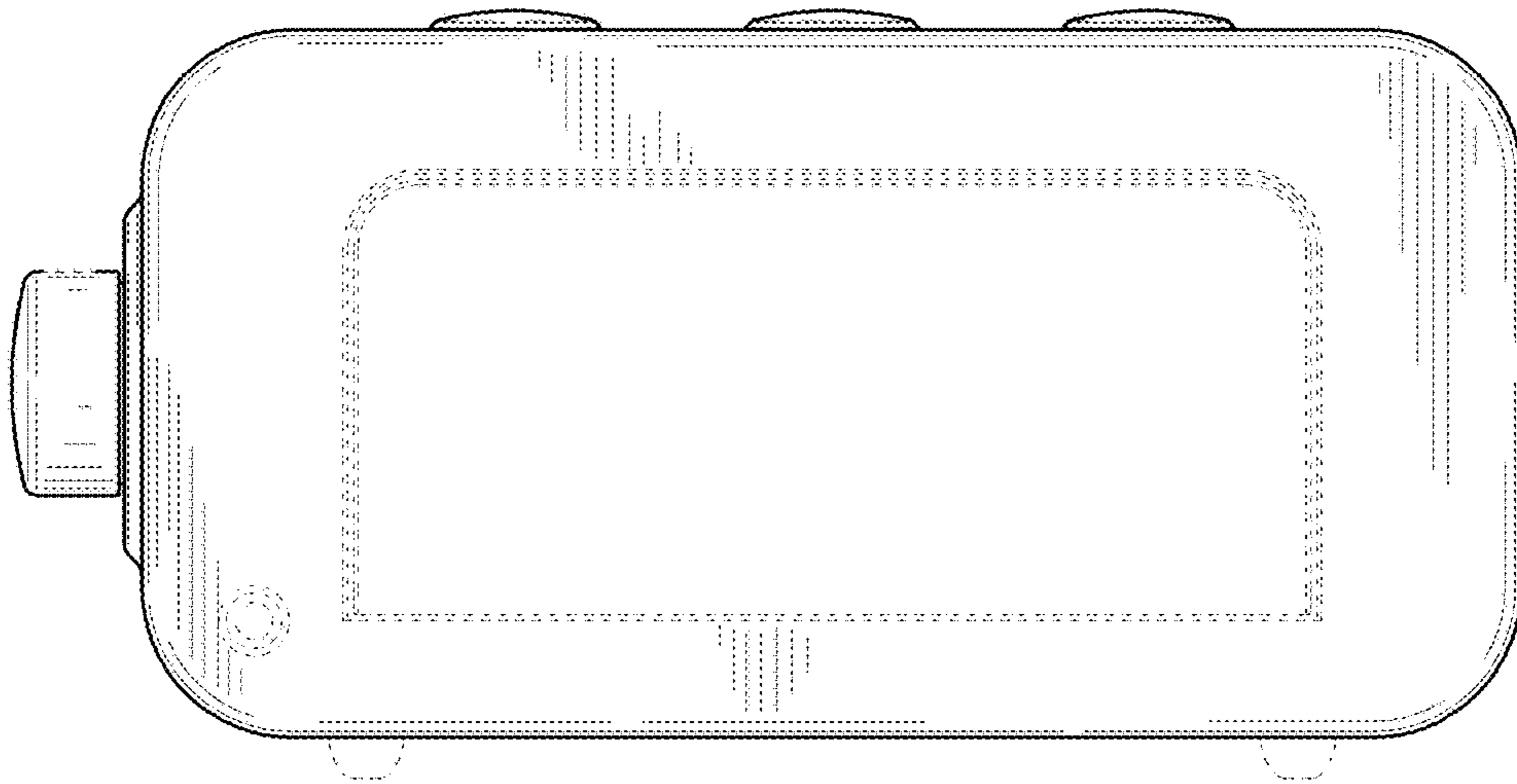


Fig. 4

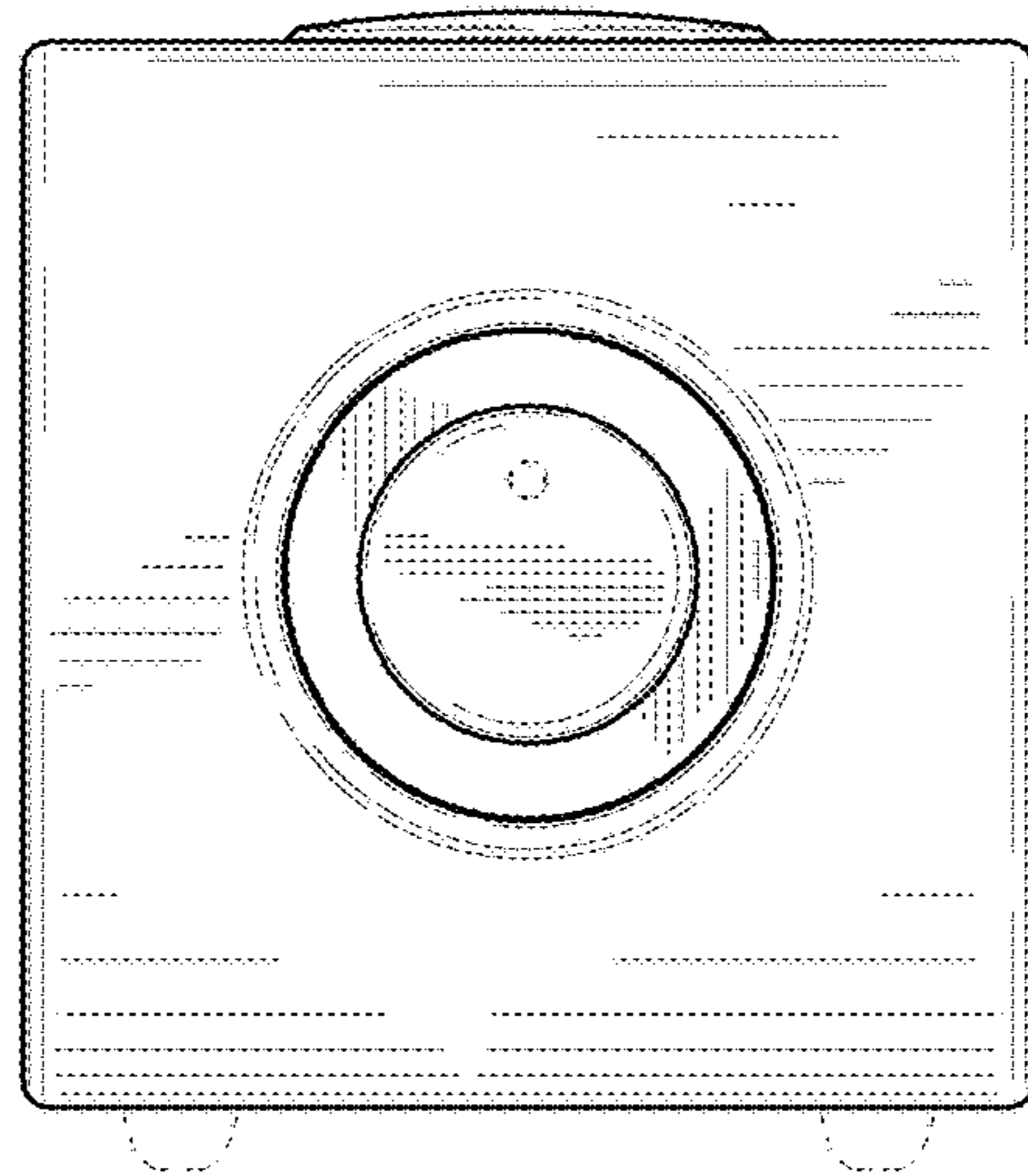


Fig. 5

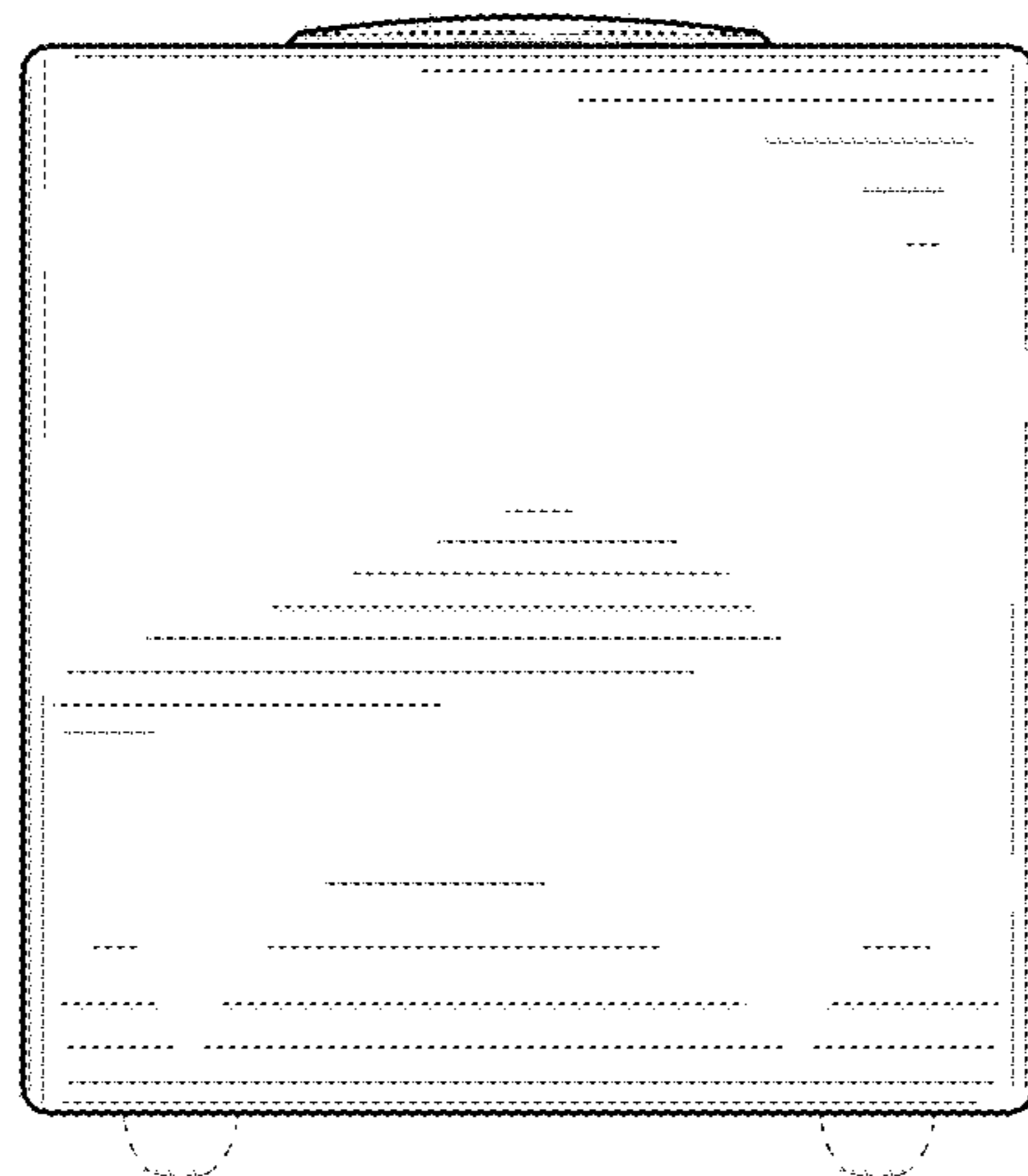


Fig. 6

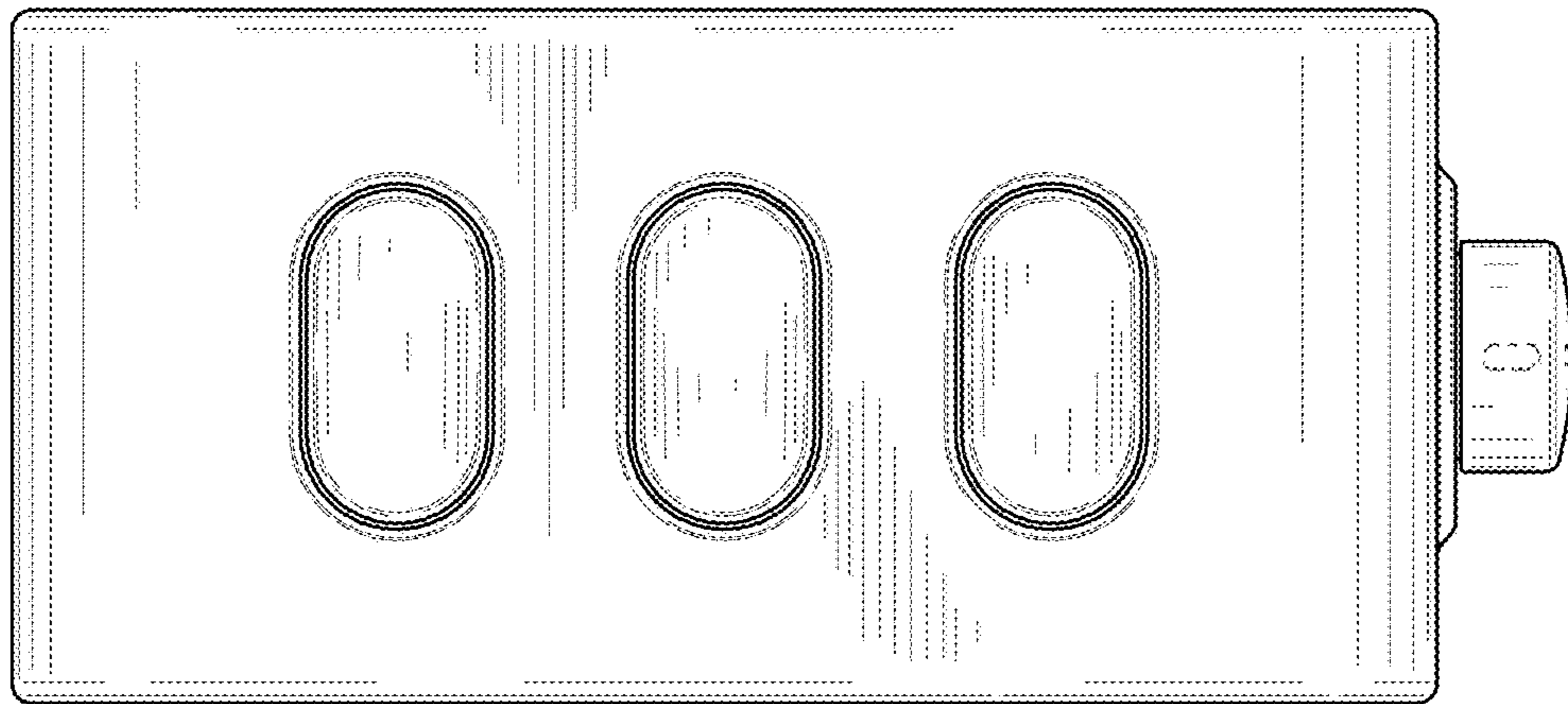


Fig. 7

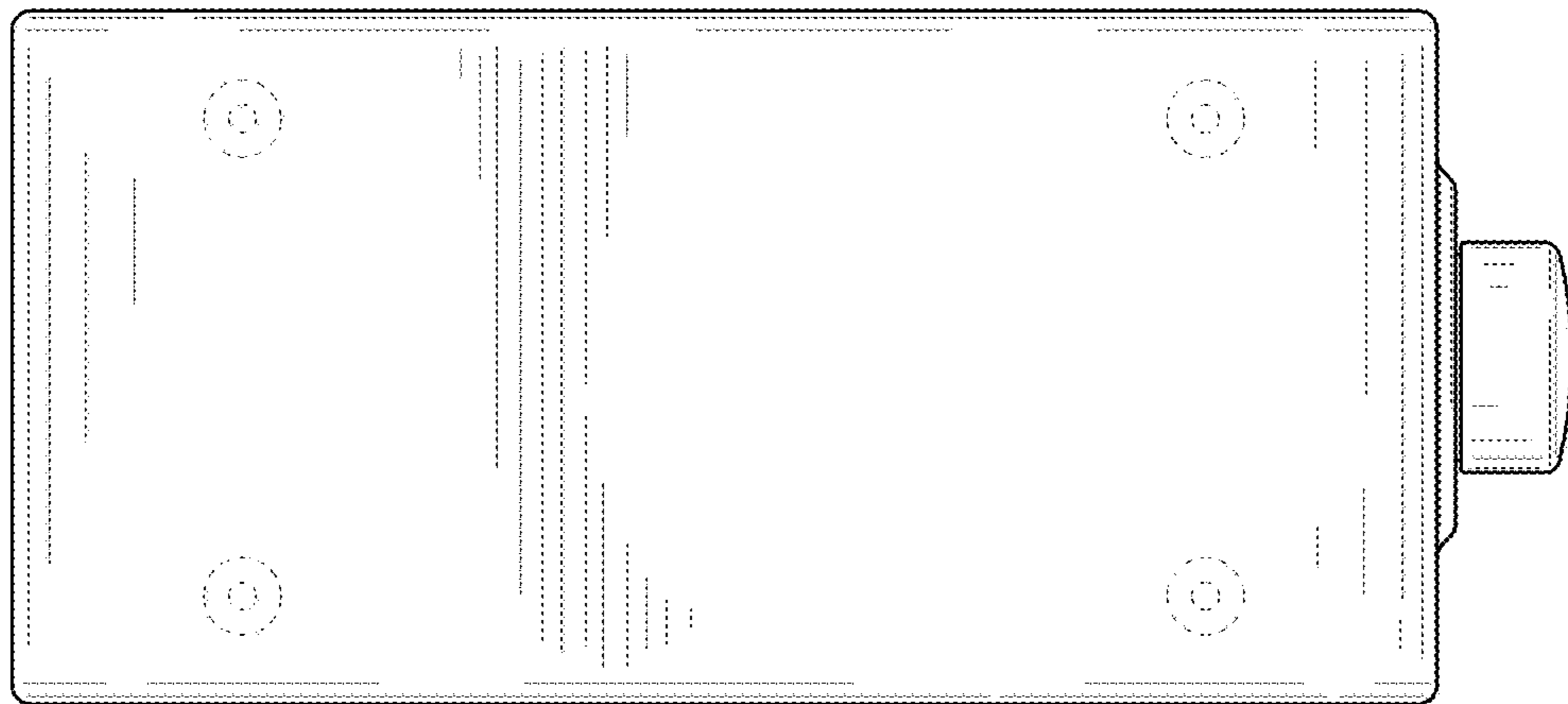


Fig. 8

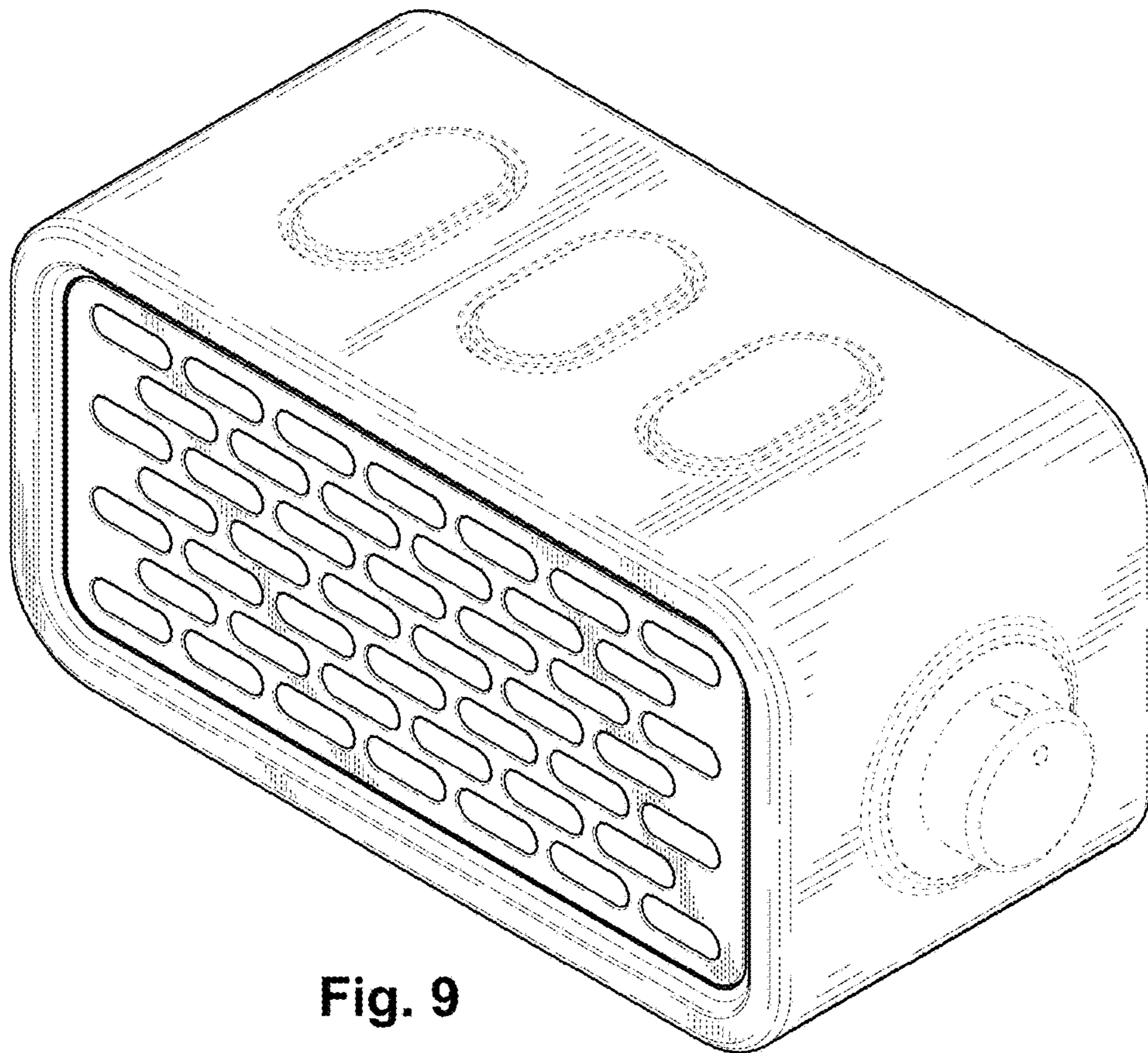


Fig. 9



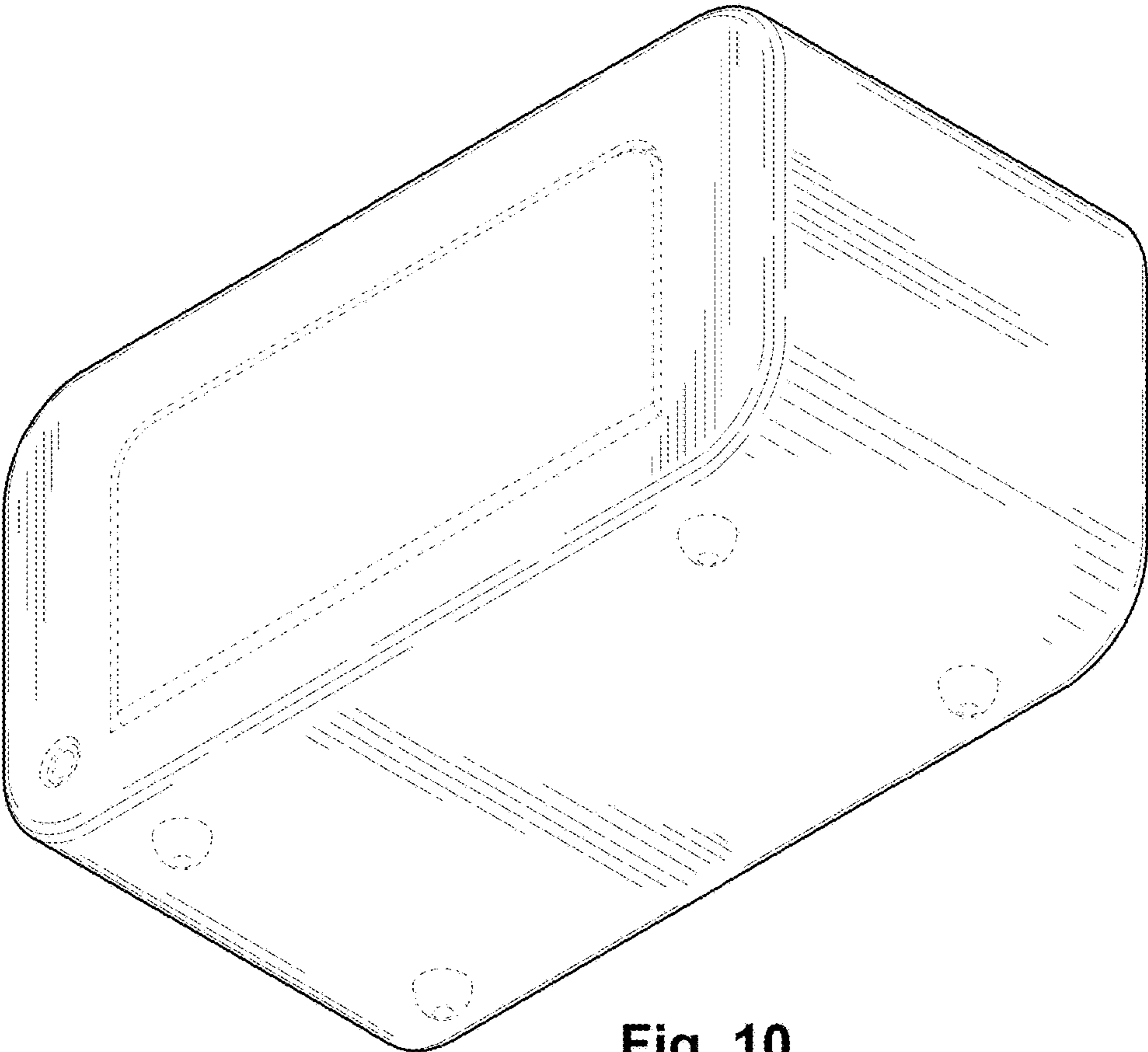
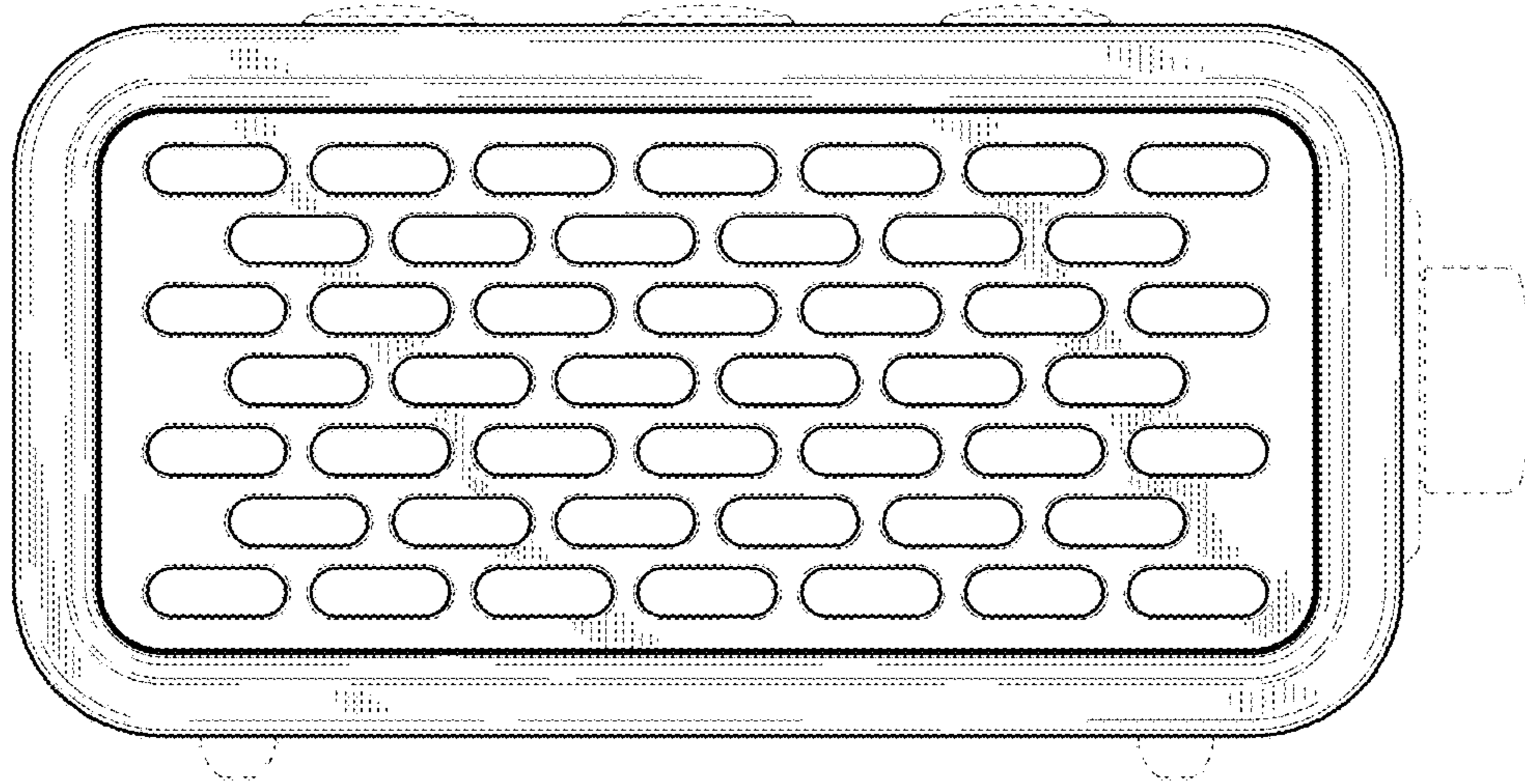
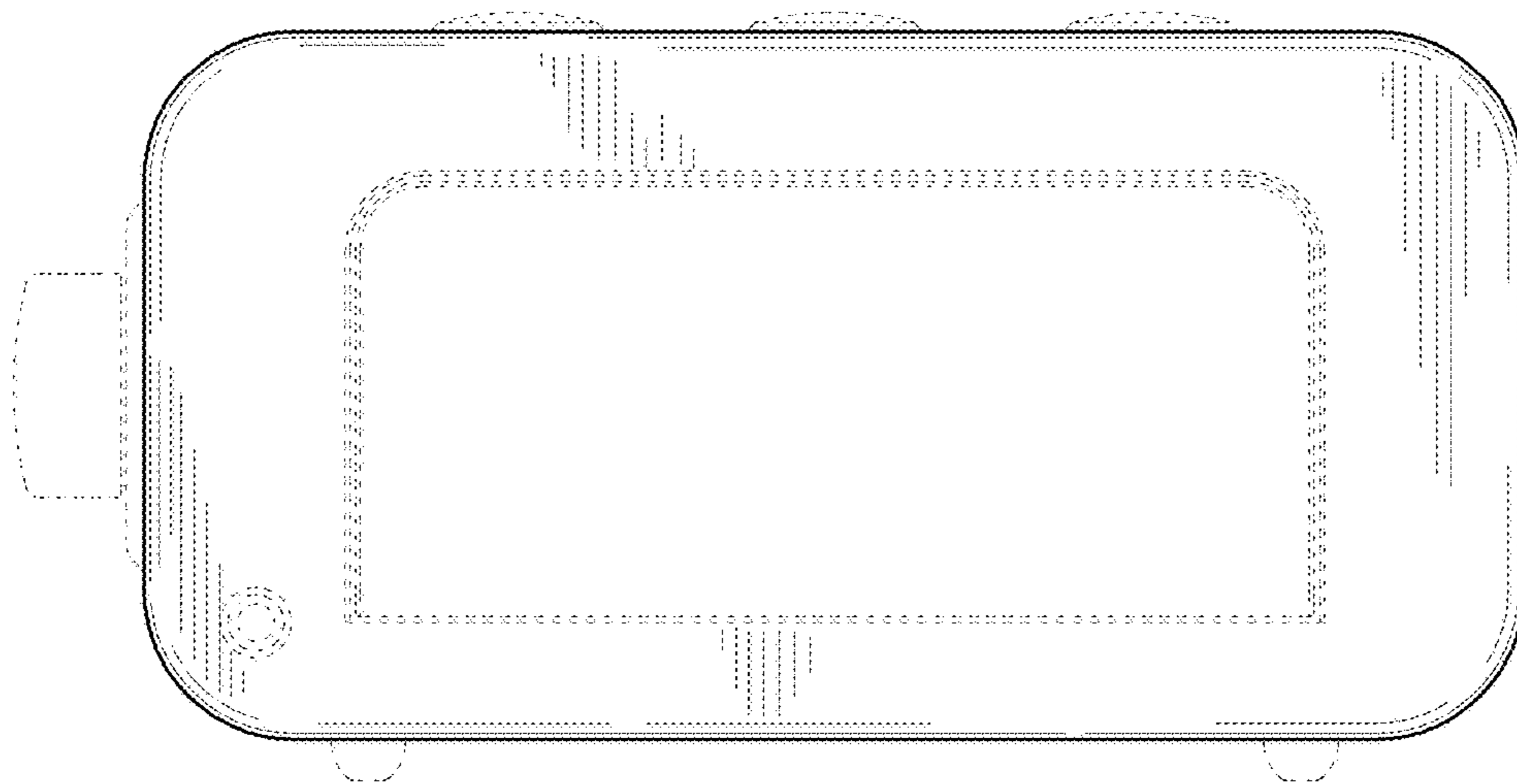


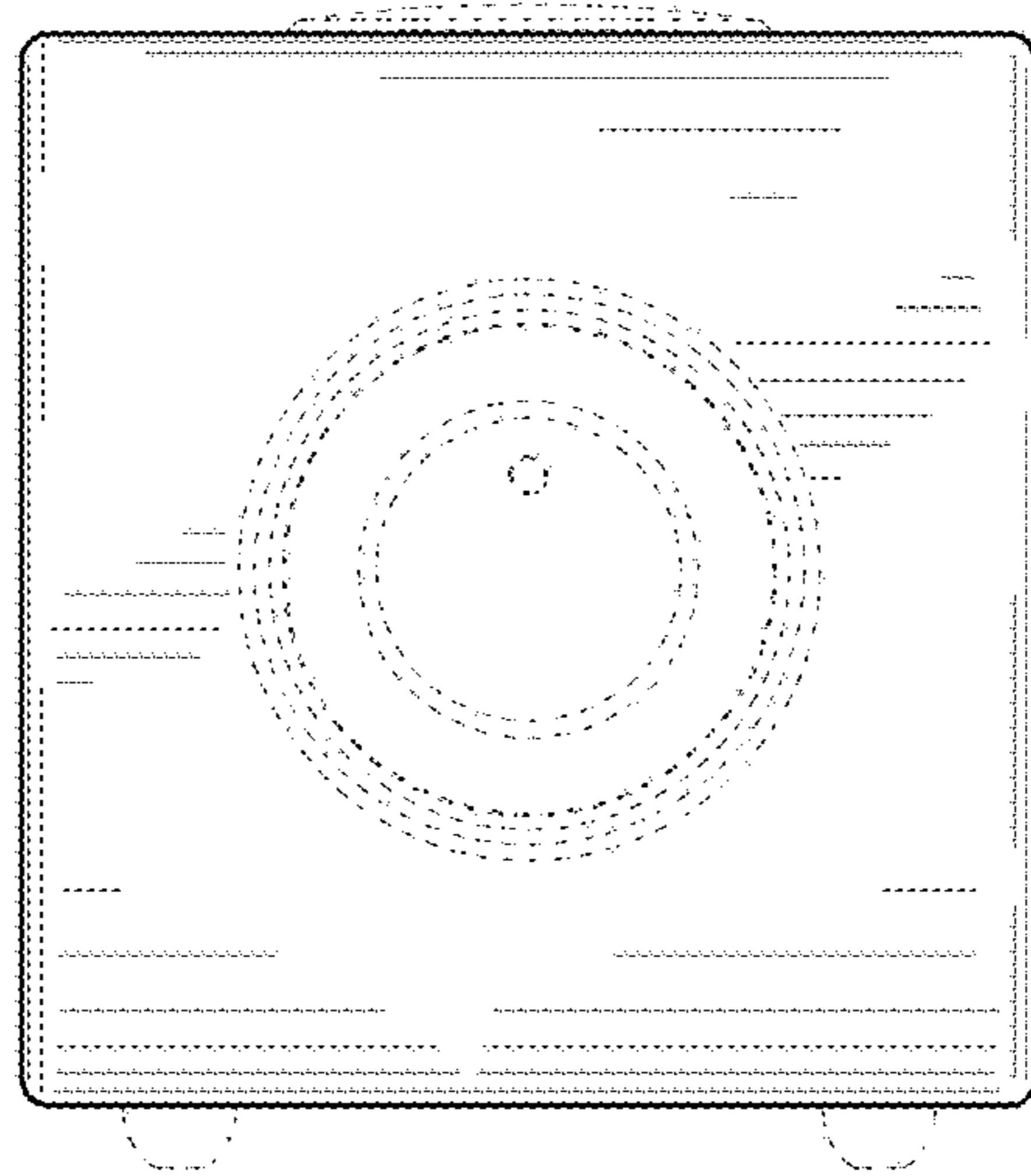
Fig. 10



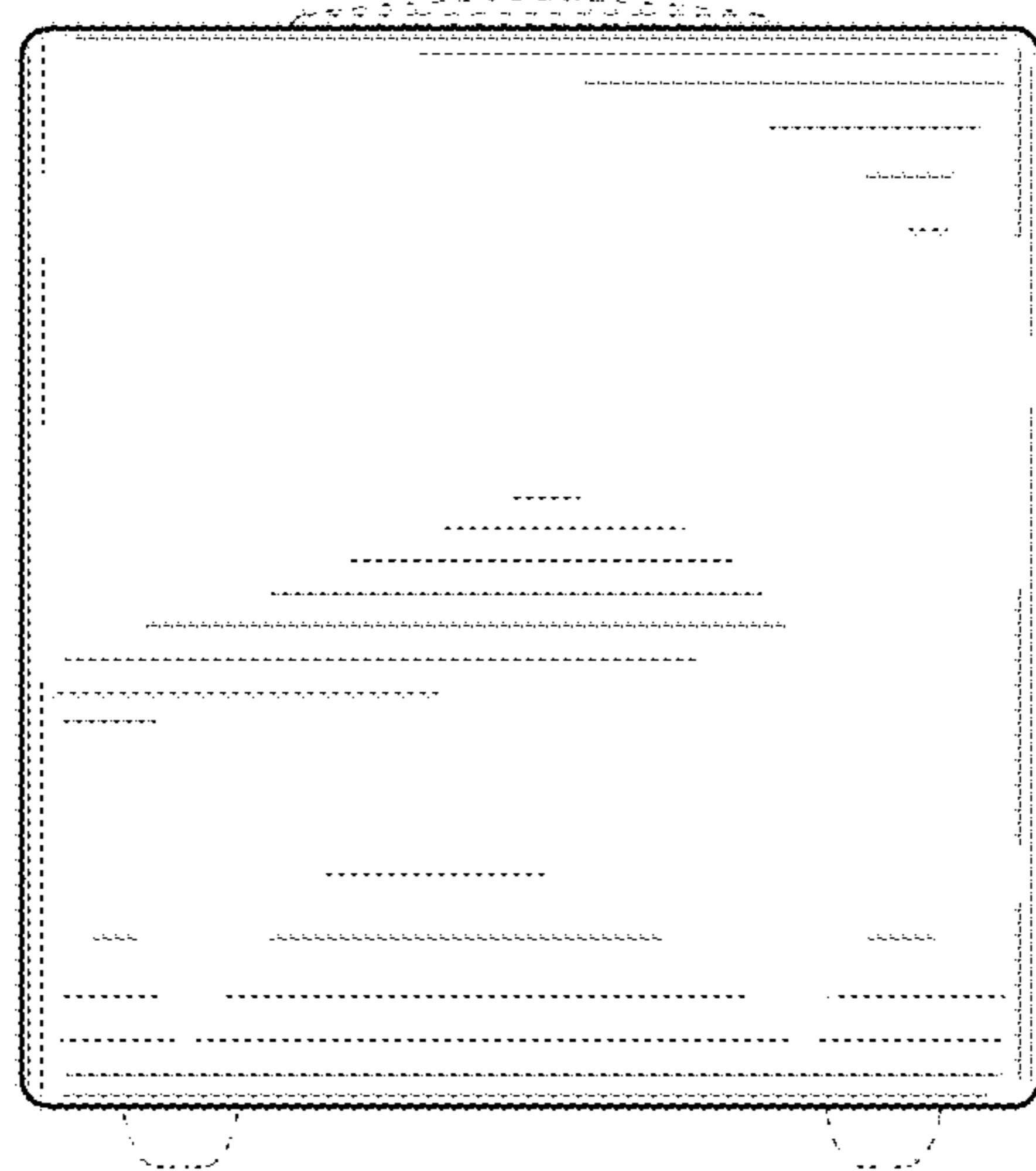
**Fig. 11**



**Fig. 12**



**Fig. 13**



**Fig. 14**

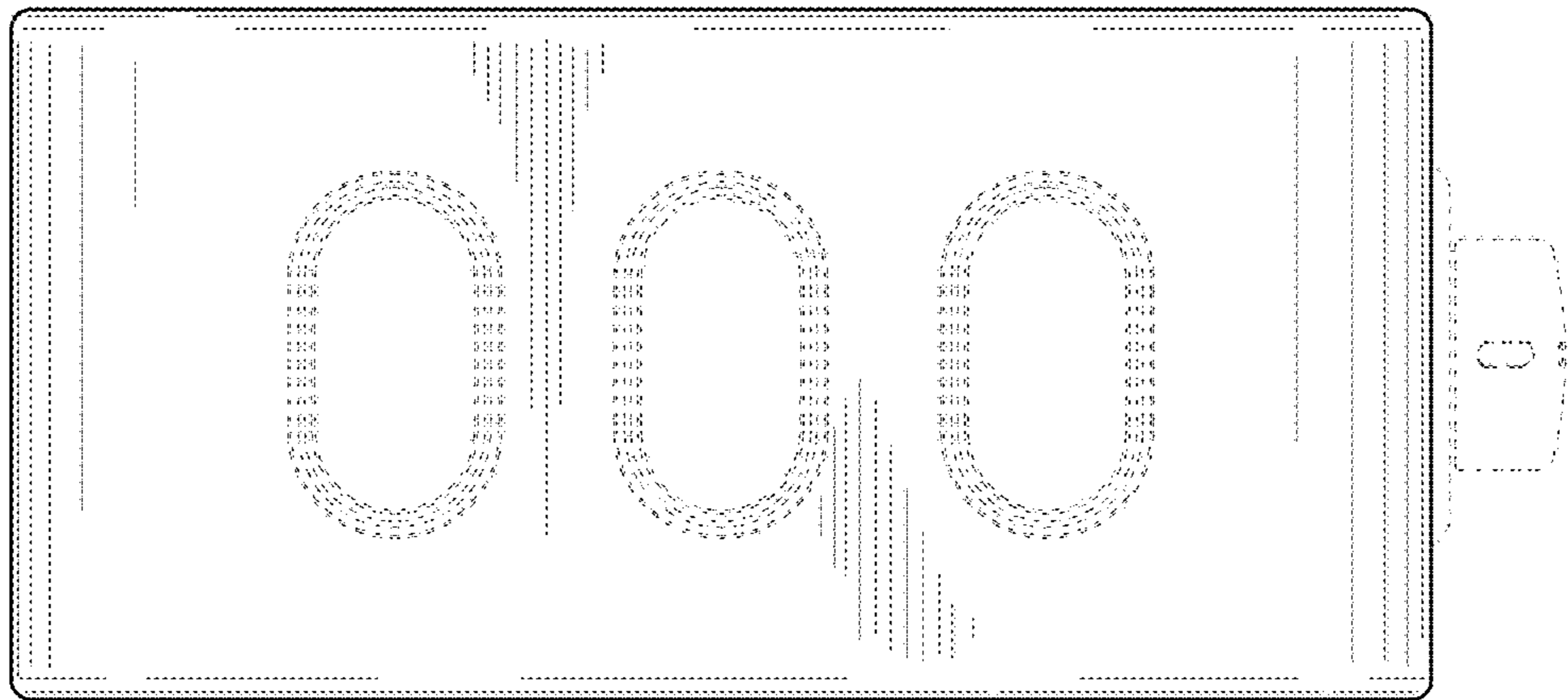


Fig. 15

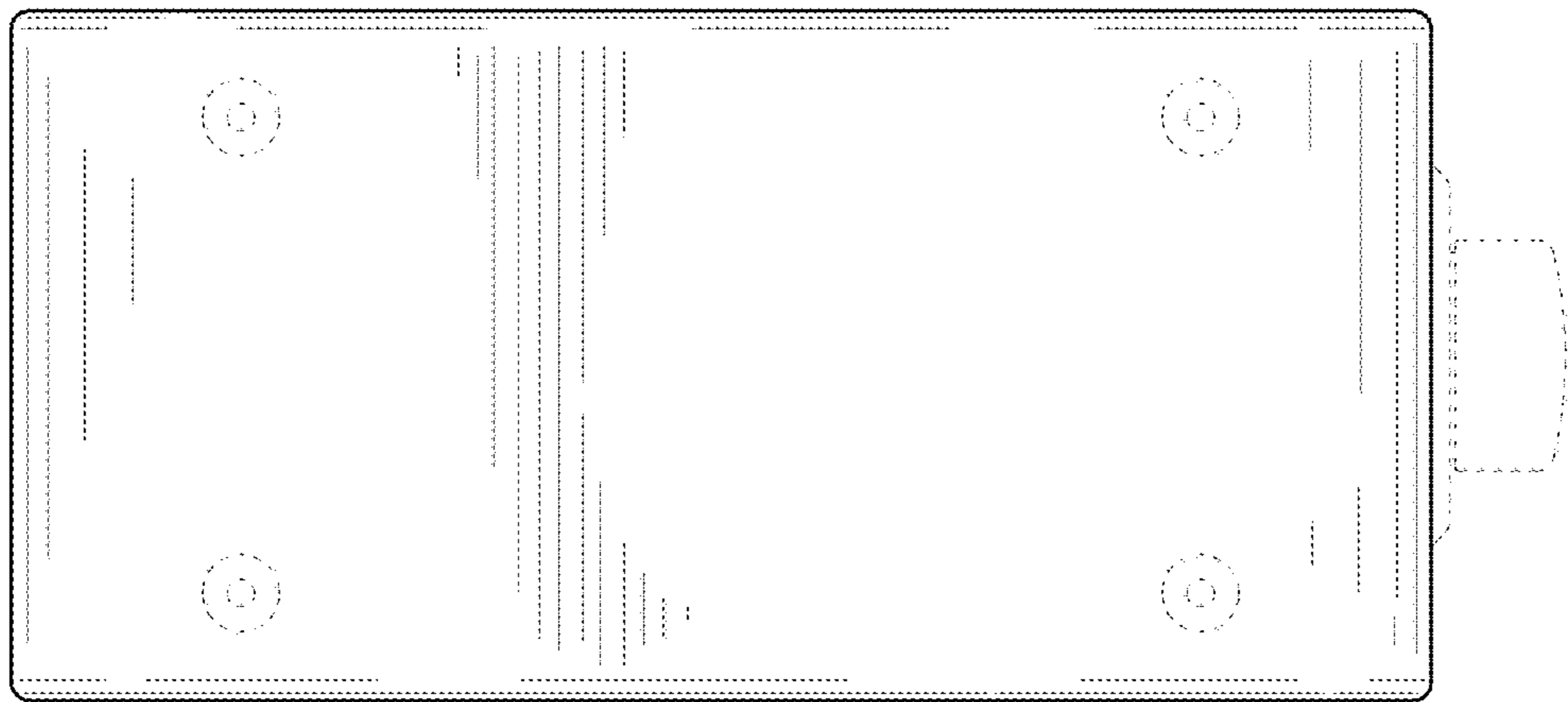


Fig. 16

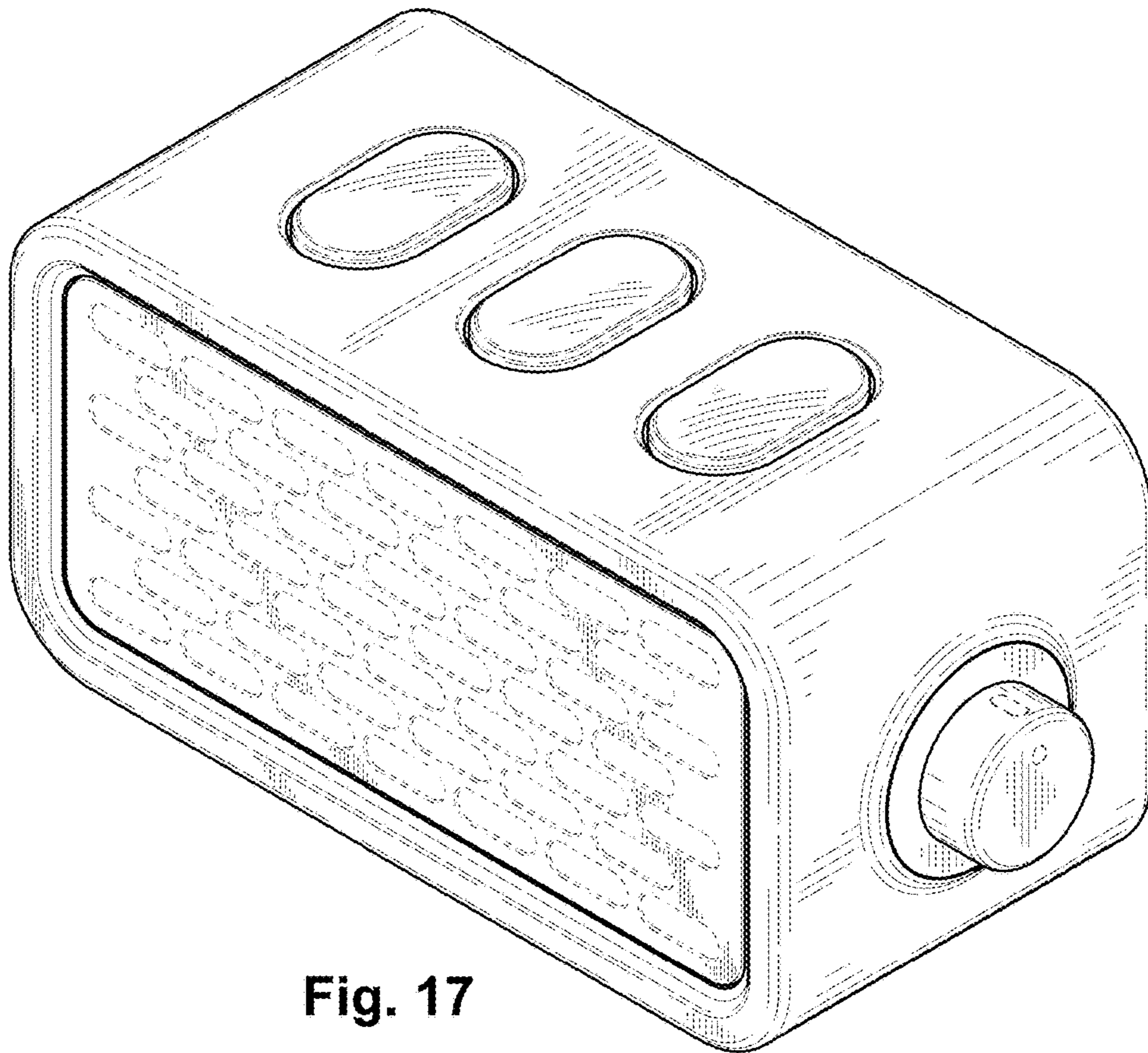


Fig. 17

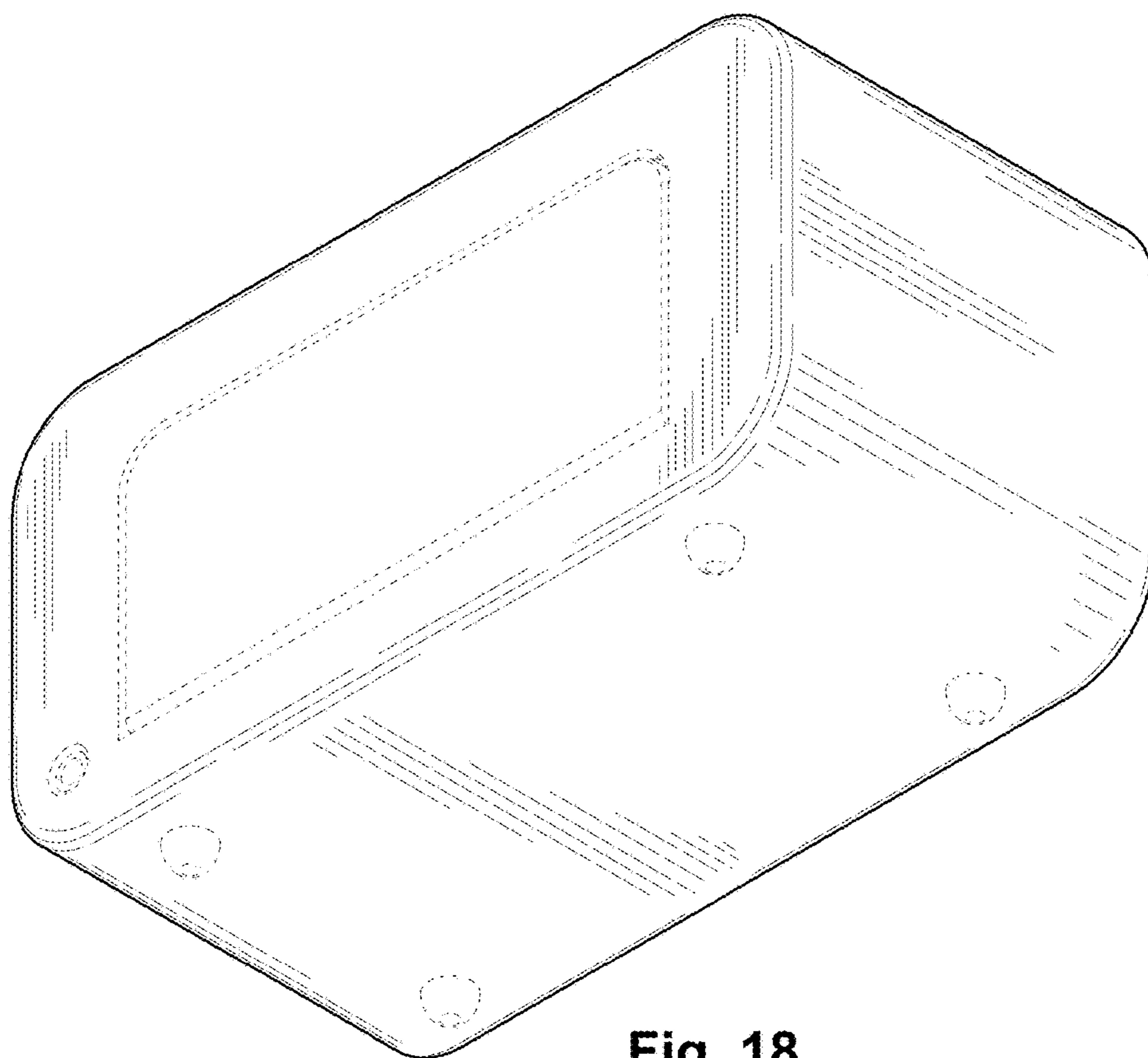


Fig. 18

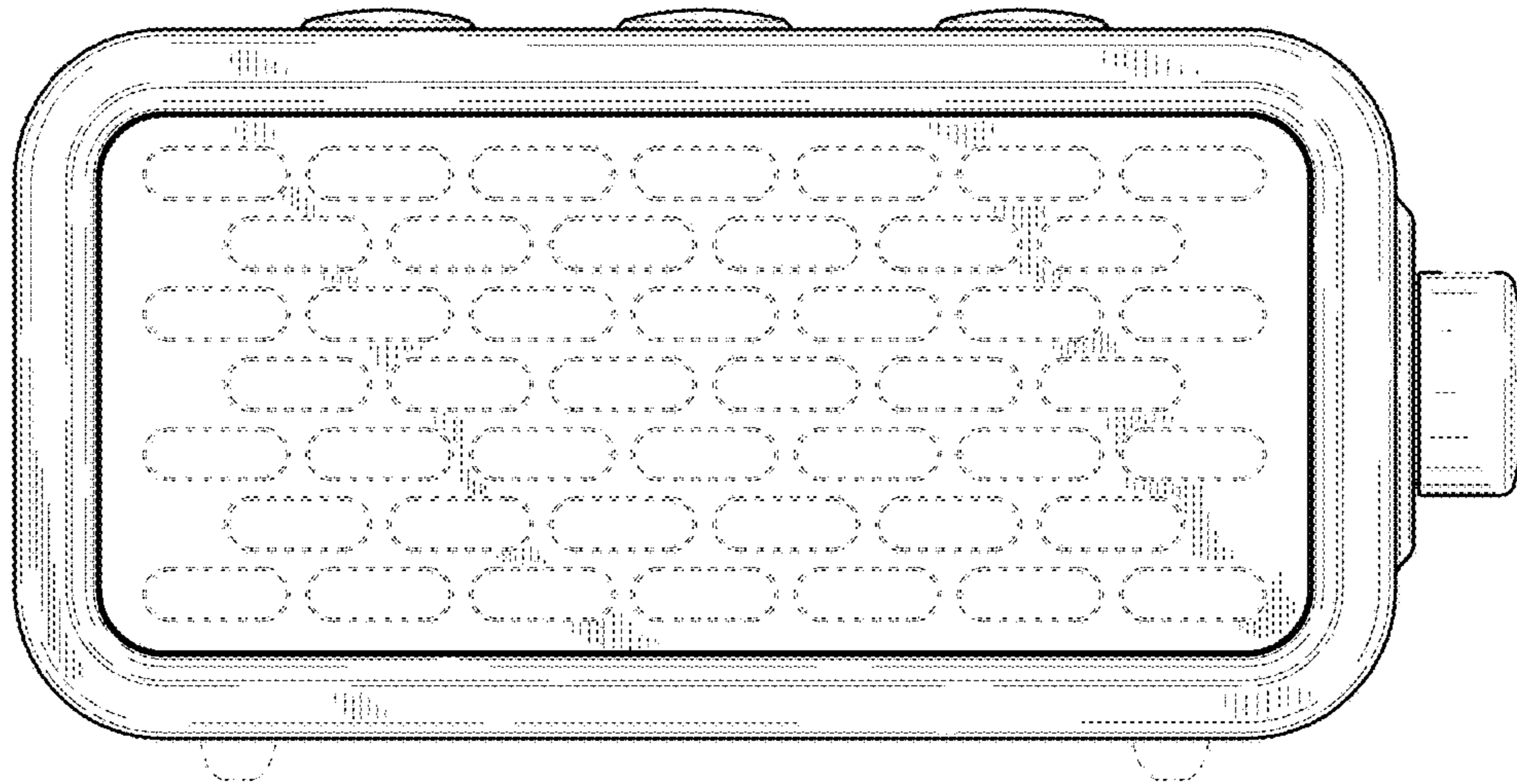


Fig. 19

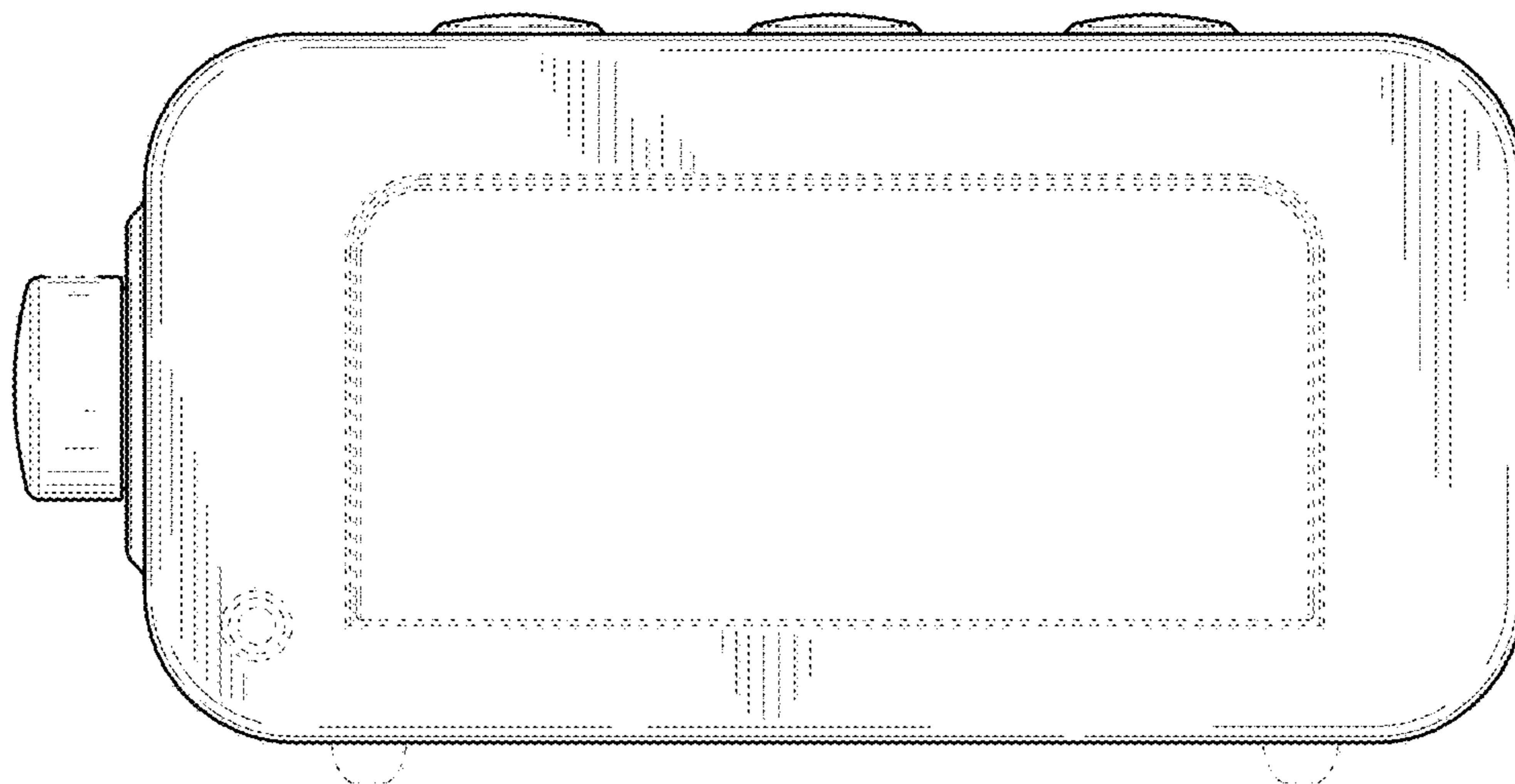
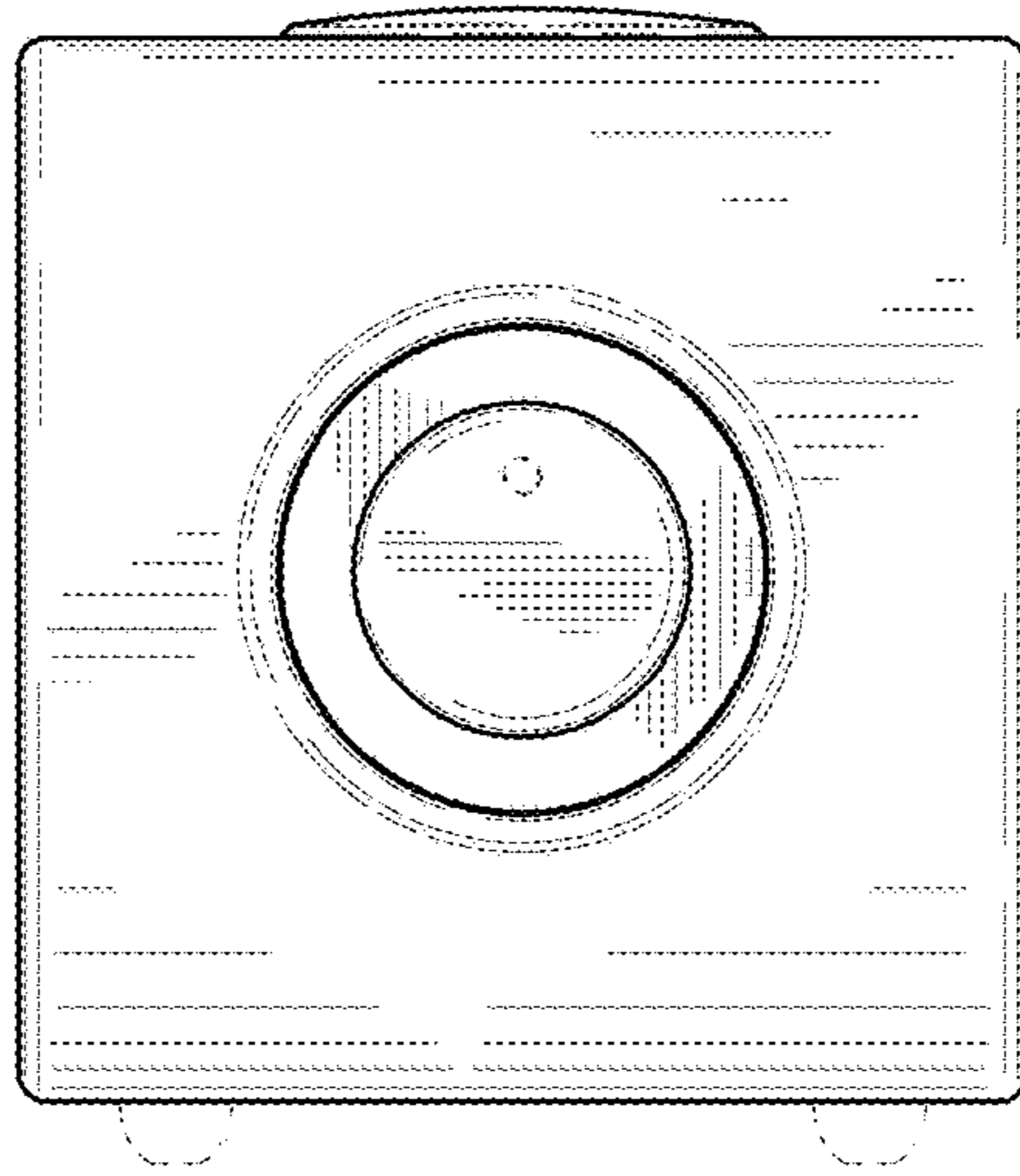
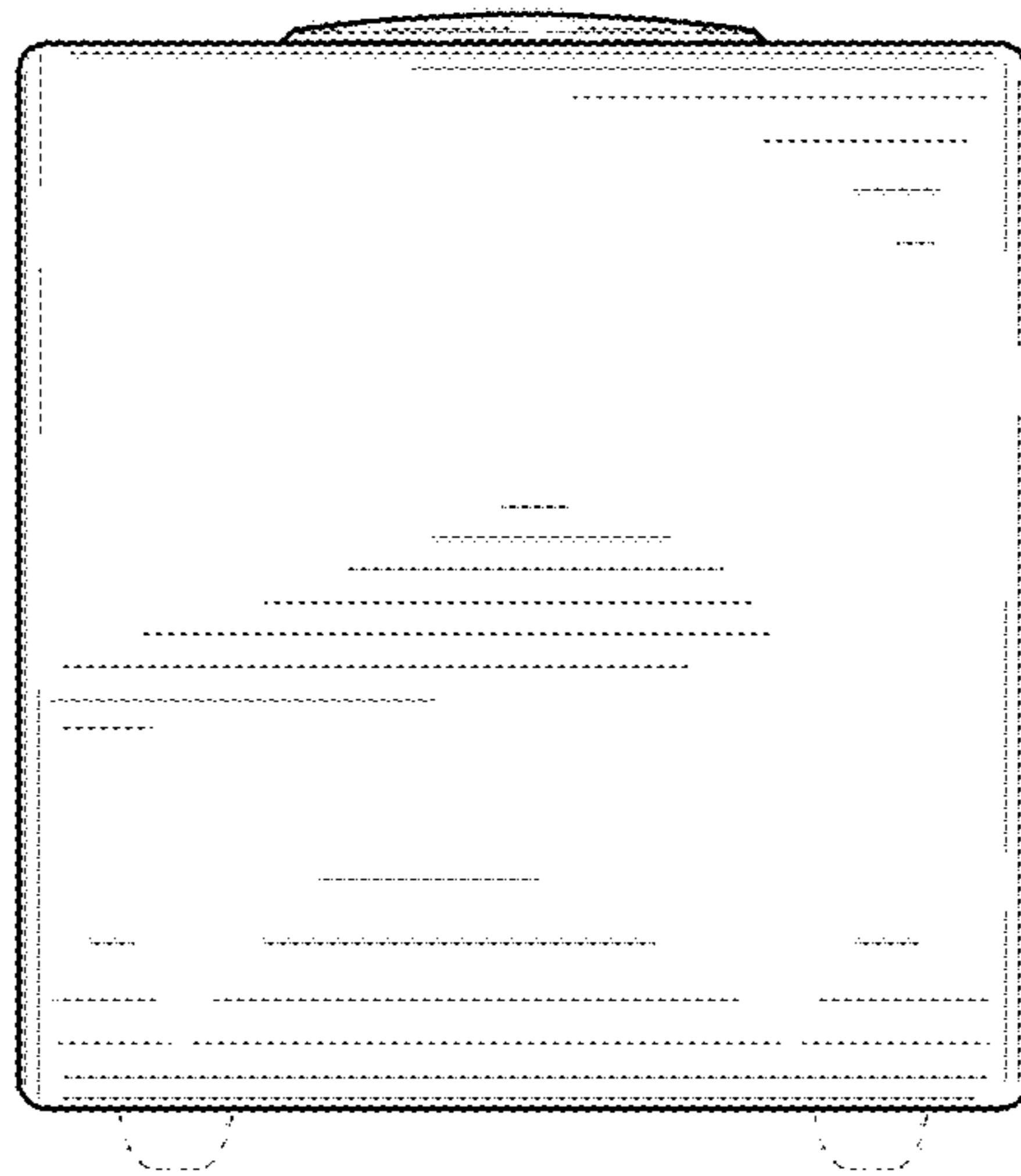


Fig. 20



**Fig. 21**



**Fig. 22**



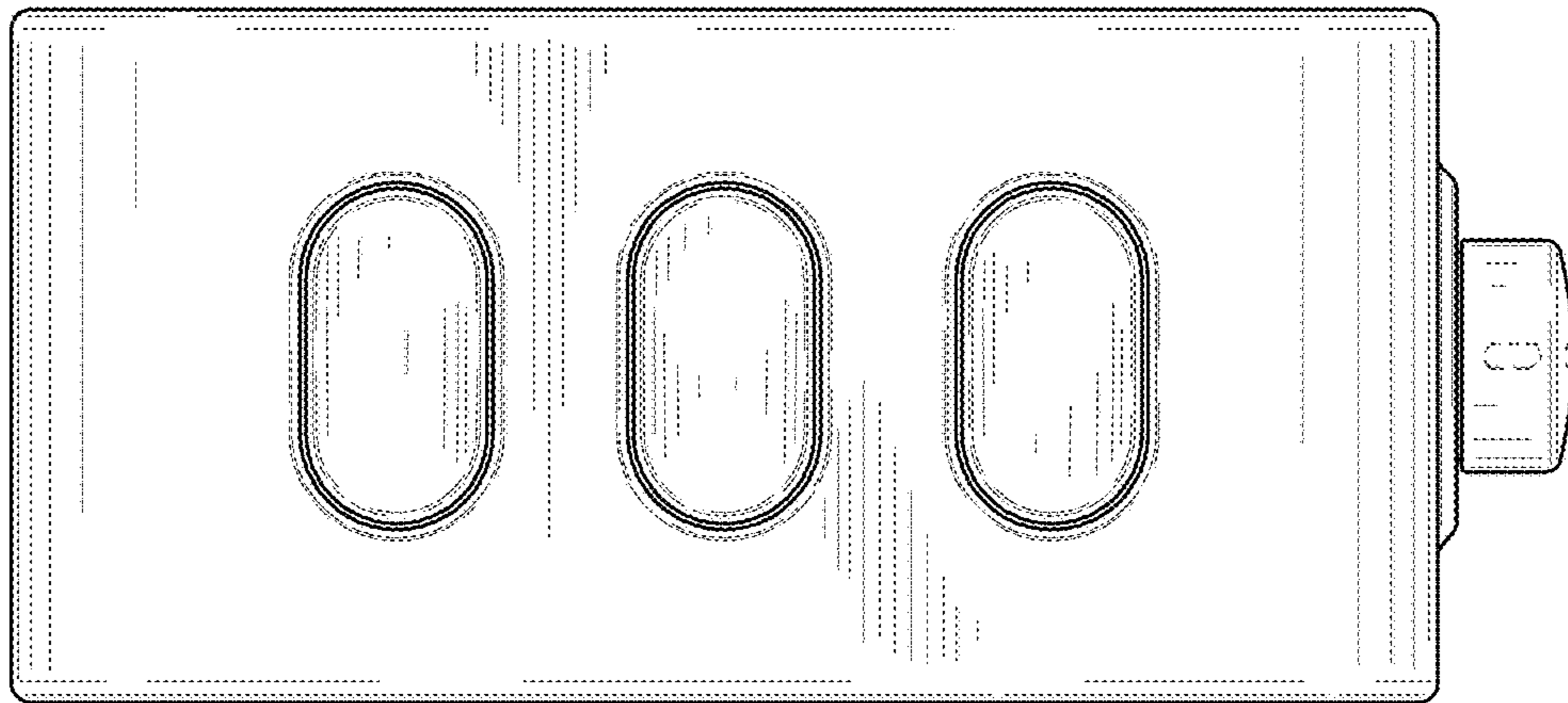


Fig. 23

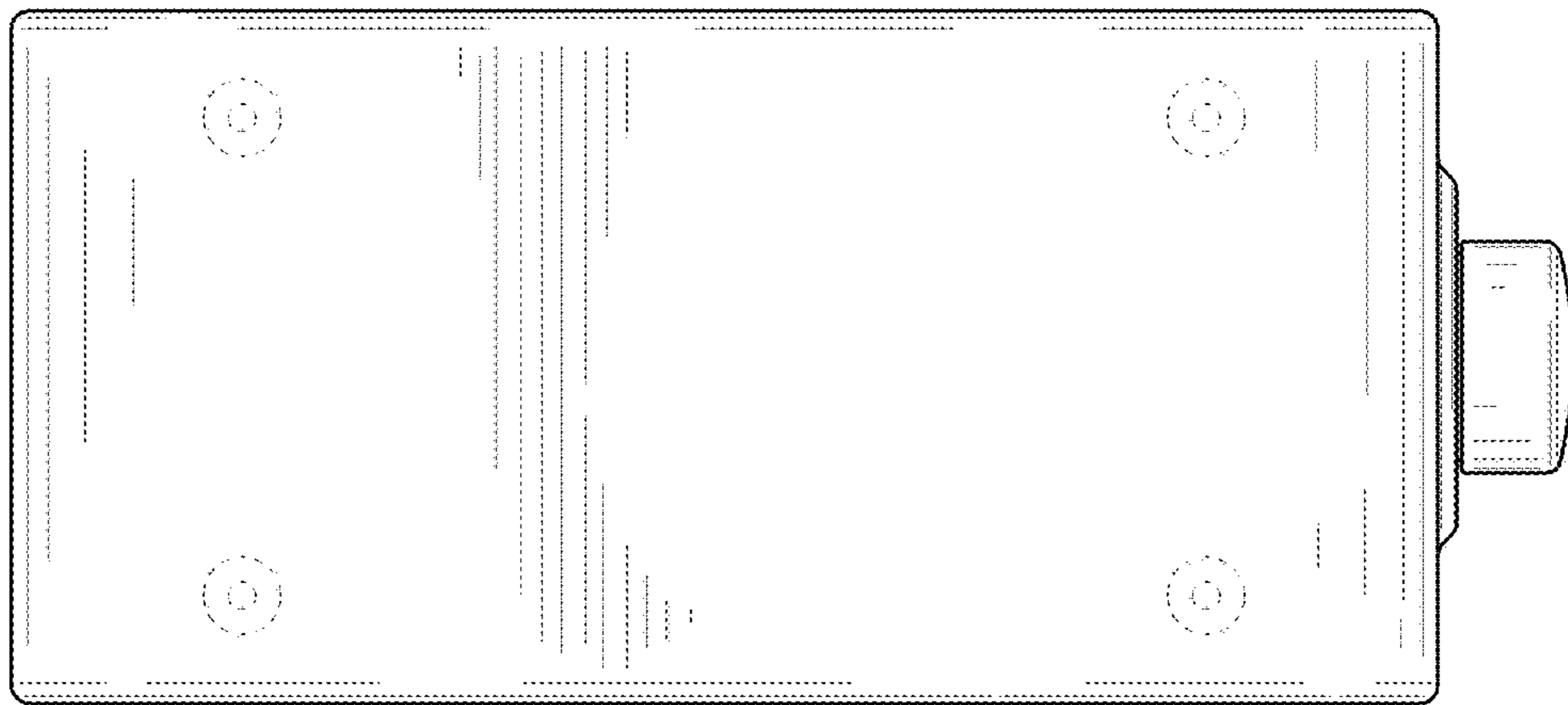


Fig. 24