



US00D852156S

(12) **United States Design Patent**
Jeon et al.

(10) **Patent No.:** **US D852,156 S**
(45) **Date of Patent:** **** Jun. 25, 2019**

(54) **TELEVISION**
(71) Applicant: **LG ELECTRONICS INC., Seoul (KR)**
(72) Inventors: **Byunglok Jeon, Seoul (KR); Yooseok Kim, Seoul (KR); Hyoungwon Kim, Seoul (KR)**
(73) Assignee: **LG ELECTRONICS INC., Seoul (KR)**
(**) Term: **15 Years**
(21) Appl. No.: **35/504,951**
(22) Filed: **Nov. 14, 2017**

D539,245 S * 3/2007 Bischoff D14/126
D540,760 S * 4/2007 Macey D14/126
D552,571 S * 10/2007 Fujii D14/126
D580,384 S * 11/2008 Katayama D14/126
D597,976 S * 8/2009 Gredler D14/126
D599,791 S * 9/2009 Kuang D14/314
D615,512 S * 5/2010 Yamaguchi D14/126
D615,513 S * 5/2010 Yamaguchi D14/126
D624,891 S * 10/2010 Ohba D14/126
D624,892 S * 10/2010 Inoue D14/126
D643,002 S * 8/2011 Choi D14/126
D646,242 S * 10/2011 Honda D14/126
D716,756 S * 11/2014 Kim D14/204
D718,738 S * 12/2014 Michael D14/214
D722,300 S * 2/2015 Won D14/126
D728,498 S * 5/2015 Park D14/126
D728,499 S * 5/2015 Park D14/314
D728,500 S * 5/2015 Park D14/126
D741,278 S * 10/2015 Kang D14/126
D743,940 S * 11/2015 Yang D14/210

(Continued)

(80) **Hague Agreement Data**

Int. Filing Date: **Nov. 14, 2017**
Int. Reg. No.: **DM/098495**
Int. Reg. Date: **Nov. 14, 2017**
Int. Reg. Pub. Date: **May 18, 2018**

Primary Examiner — Robert M. Spear
(74) *Attorney, Agent, or Firm* — Birch, Stewart, Kolasch & Birch, LLP

(30) **Foreign Application Priority Data**

May 18, 2017 (KR) 30-2017-0022320

(51) **LOC (11) Cl.** **14-03**

(52) **U.S. Cl.**
USPC **D14/126**

(58) **Field of Classification Search**
USPC D14/126, 316, 335, 336, 340, 374, 375, D14/451, 452, 239; D21/515
CPC G06F 1/1626; H04N 5/64; H04N 5/645; H05K 5/00; H05K 5/0204
See application file for complete search history.

(56) **References Cited**

U.S. PATENT DOCUMENTS

D360,884 S * 8/1995 Onuma D14/451
D528,517 S * 9/2006 Izumi D14/126

(57) **CLAIM**

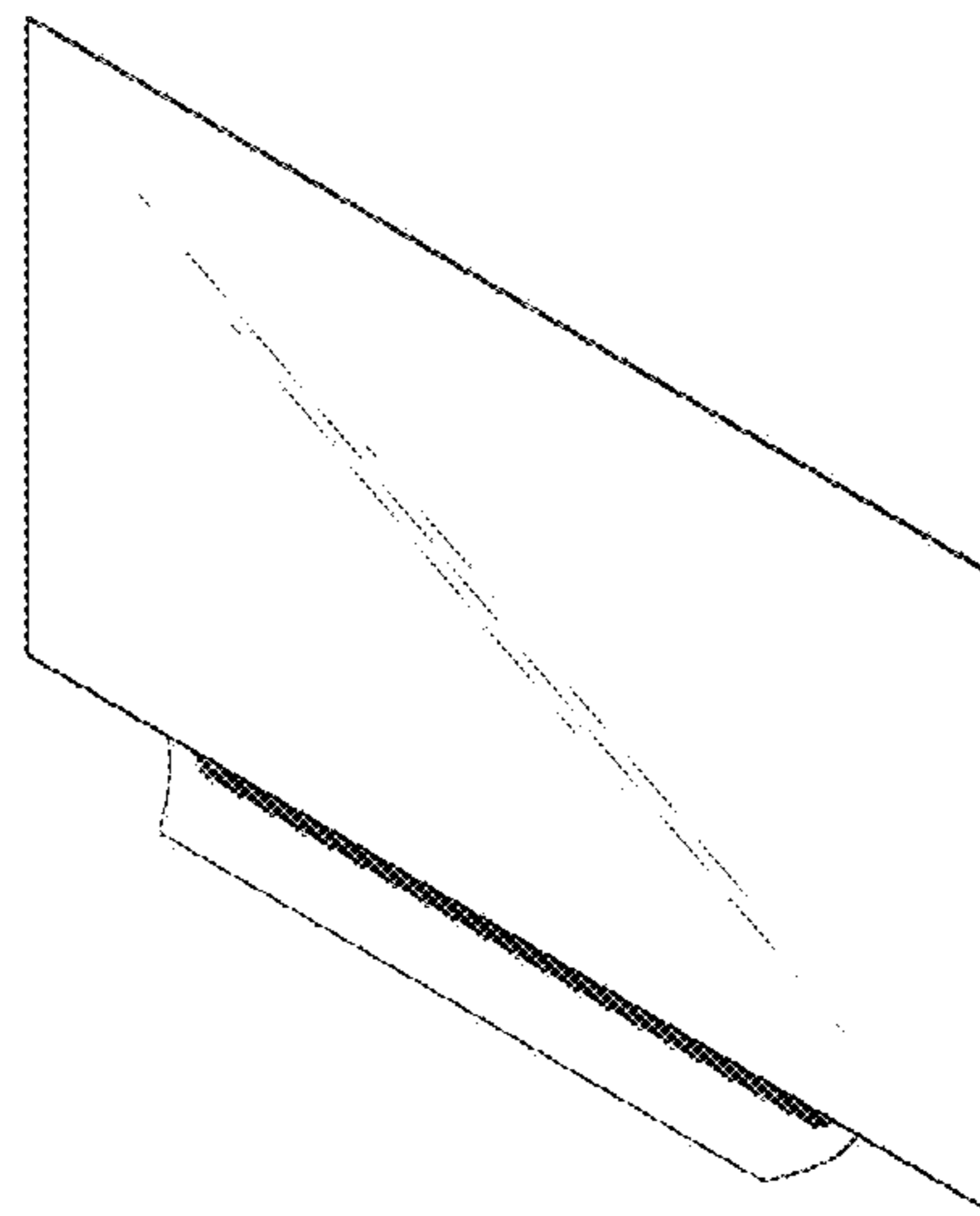
The ornamental design for a television, as shown and described.

DESCRIPTION

- 1. Television
- 1.1 : Perspective
- 1.2 : Front
- 1.3 : Back
- 1.4 : Left
- 1.5 : Right
- 1.6 : Top
- 1.7 : Bottom

The parallel fine lines and curves shown in all the drawings indicate the relief of surface of the product; the broken lines indicate unclaimed portion of the article that form no part of the claimed design.

1 Claim, 7 Drawing Sheets



(56)

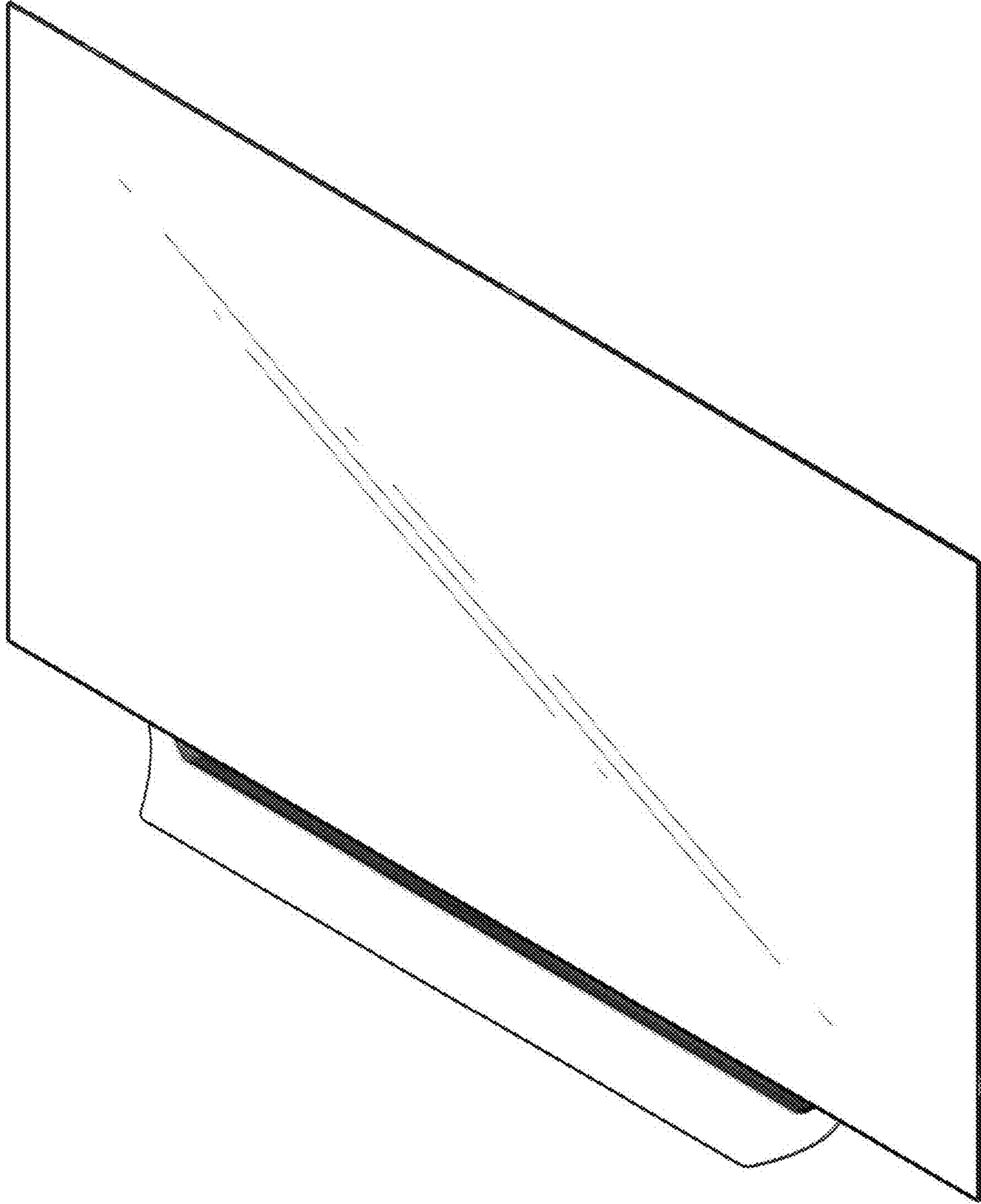
References Cited

U.S. PATENT DOCUMENTS

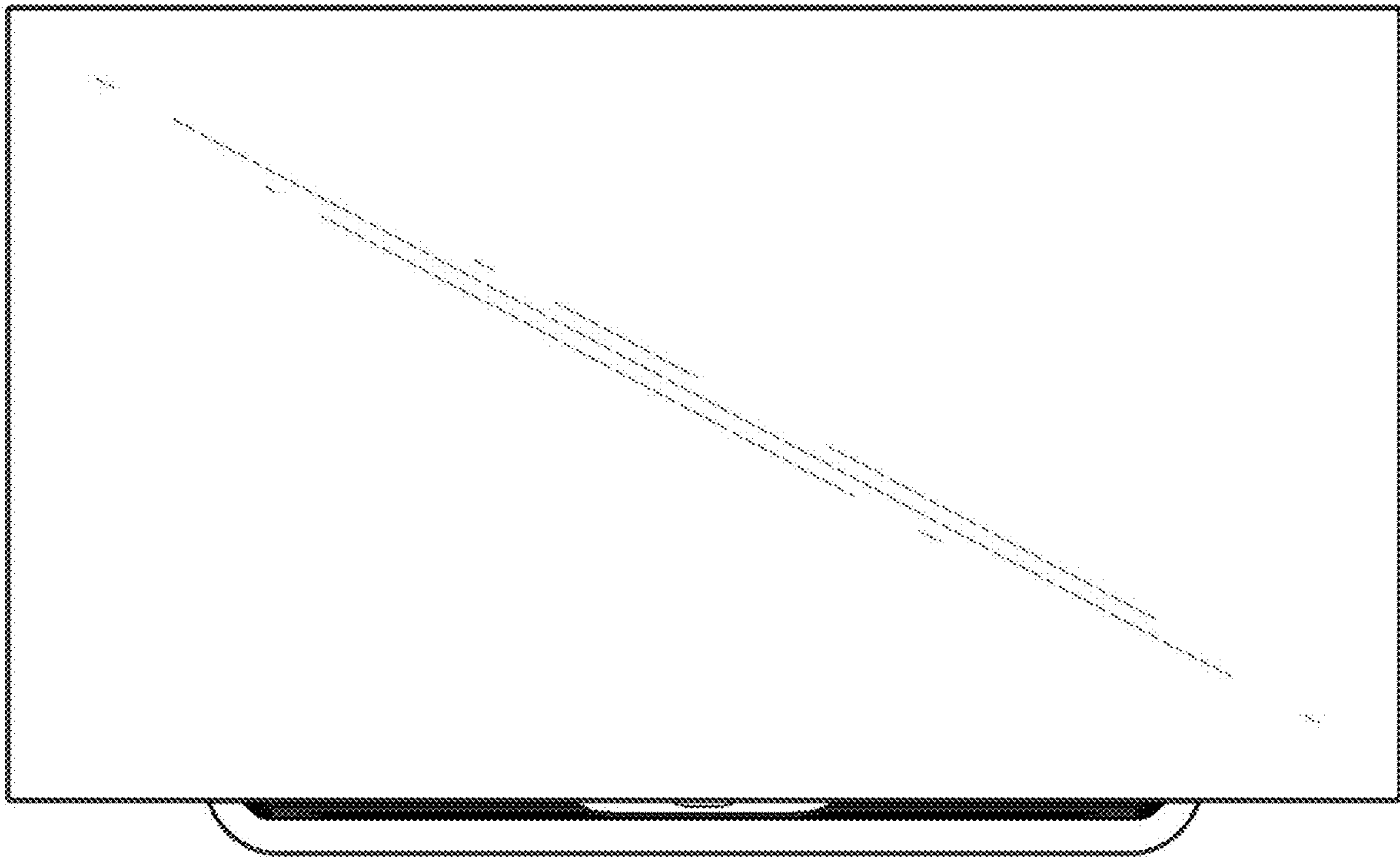
D755,747	S	*	5/2016	Park	D14/126
D755,785	S	*	5/2016	Sirocich	D14/341
D762,601	S	*	8/2016	Seo	D14/126
D772,829	S	*	11/2016	Han	D14/126
D772,832	S	*	11/2016	Han	D14/126
D772,834	S	*	11/2016	Han	D14/126
D773,421	S	*	12/2016	Han	D14/126
D773,422	S	*	12/2016	Han	D14/126
D791,094	S	*	7/2017	Han	D14/126
D799,441	S	*	10/2017	Park	D14/126
D826,213	S	*	8/2018	Kim	D14/210
D836,581	S	*	12/2018	Andresen	D14/126
D836,582	S	*	12/2018	Cha	D14/126
D836,585	S	*	12/2018	Seo	D14/126
D837,758	S	*	1/2019	Kim	D14/126

* cited by examiner

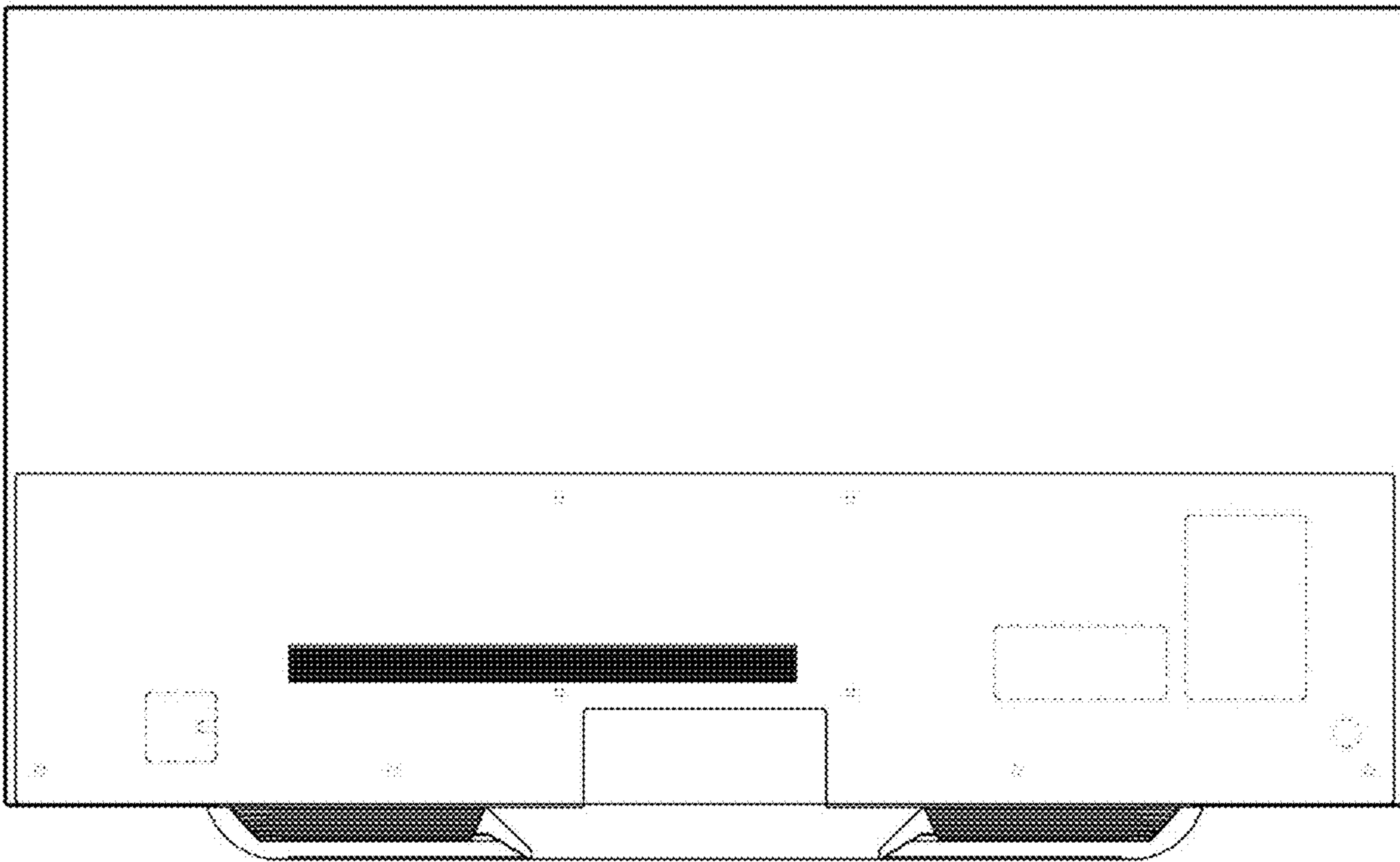
1.1



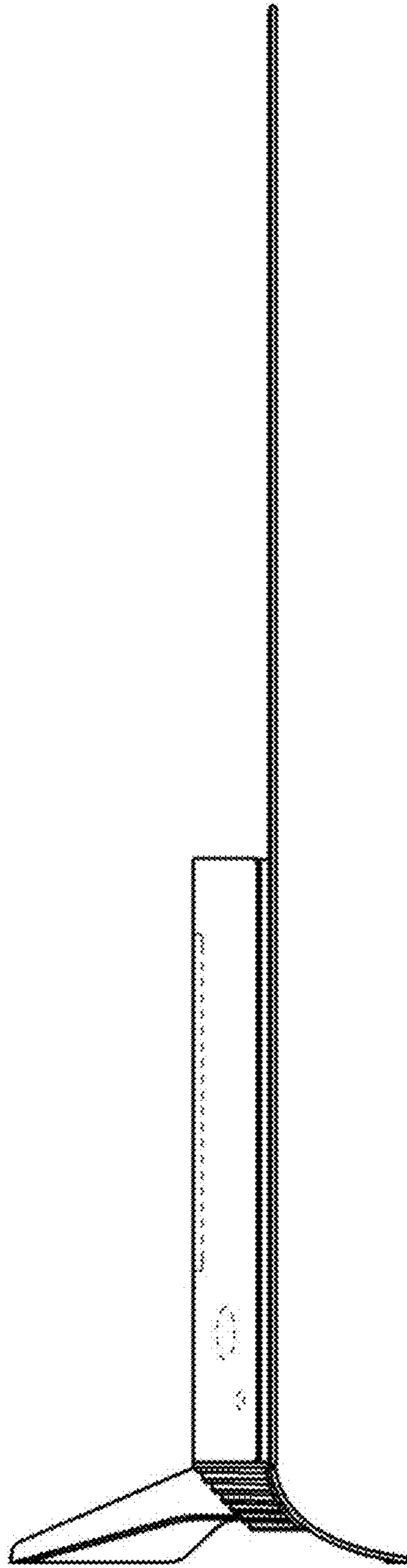
1.2

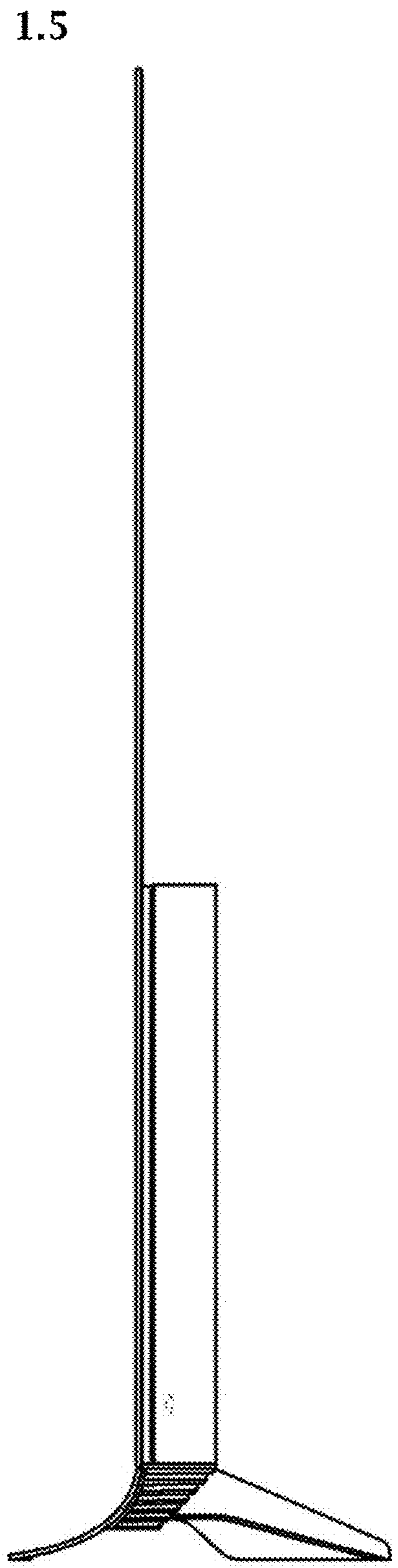


1.3

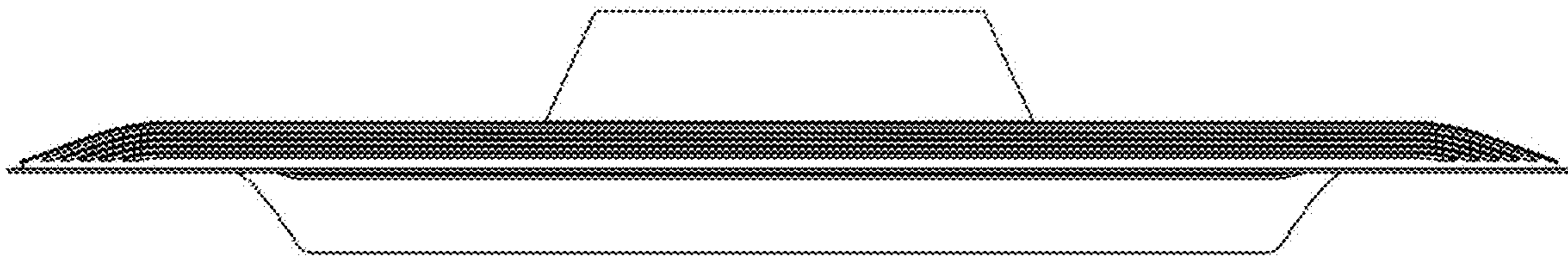


1.4





1.6



1.7

