



US00D852155S

(12) **United States Design Patent** (10) **Patent No.:** **US D852,155 S**
Won et al. (45) **Date of Patent:** **** Jun. 25, 2019**

(54) **TELEVISION**

Assistant Examiner — Bao-Yen T Nguyen

(71) Applicant: **LG ELECTRONICS INC.**, Seoul (KR)

(74) *Attorney, Agent, or Firm* — Birch, Stewart, Kolasch & Birch, LLP

(72) Inventors: **Hyojin Won**, Seoul (KR); **Hyeyoung Hong**, Seoul (KR); **Yongho Lee**, Seoul (KR); **Youngkyoung Kim**, Seoul (KR)

(57) **CLAIM**

The ornamental design for a television, as shown and described.

(73) Assignee: **LG Electronics Inc.**, Seoul (KR)

DESCRIPTION

(**) Term: **15 Years**

1. Television

(21) Appl. No.: **35/504,142**

1.1 : Perspective

1.2 : Front

(22) Filed: **Jun. 12, 2017**

1.3 : Back

1.4 : Left

(80) **Hague Agreement Data**

Int. Filing Date: **Jun. 12, 2017**

Int. Reg. No.: **DM/097342**

Int. Reg. Date: **Jun. 12, 2017**

Int. Reg. Pub. Date: **Dec. 15, 2017**

1.5 : Right

1.6 : Top

1.7 : Bottom

1.8 : Enlarged

1.9 : Perspective

1.10 : Front

1.11 : Back

1.12 : Left

1.13 : Right

1.14 : Top

1.15 : Bottom

1.16 : Perspective

(30) **Foreign Application Priority Data**

Dec. 14, 2016 (KR) 30-2016-0060744

(51) **LOC (11) Cl.** **14-03**

(52) **U.S. Cl.**

USPC **D14/126**

(58) **Field of Classification Search**

USPC D14/125-134, 136, 159, 239, 336, 342, D14/371, 374-377, 440, 448, 450; D21/329, 515, 577, 622

1.17 : Front

1.18 : Back

1.19 : Left

1.20 : Right

1.21 : Top

1.22 : Bottom

(Continued)

Reproductions 1.1 - 1.8 show the speakers at the bottom of the television in a first position, reproductions 1.9 - 1.15 show the speakers at the bottom of the television in a second position and reproductions 1.16 - 1.22 show the speakers at the bottom of the television in a third position.

The dash-dot broken lines in reproduction 1.8 are included to show a partially enlarged view of reproduction 1.1 and form no part of the claimed design. The bottom of the display is transparent.

(56) **References Cited**

U.S. PATENT DOCUMENTS

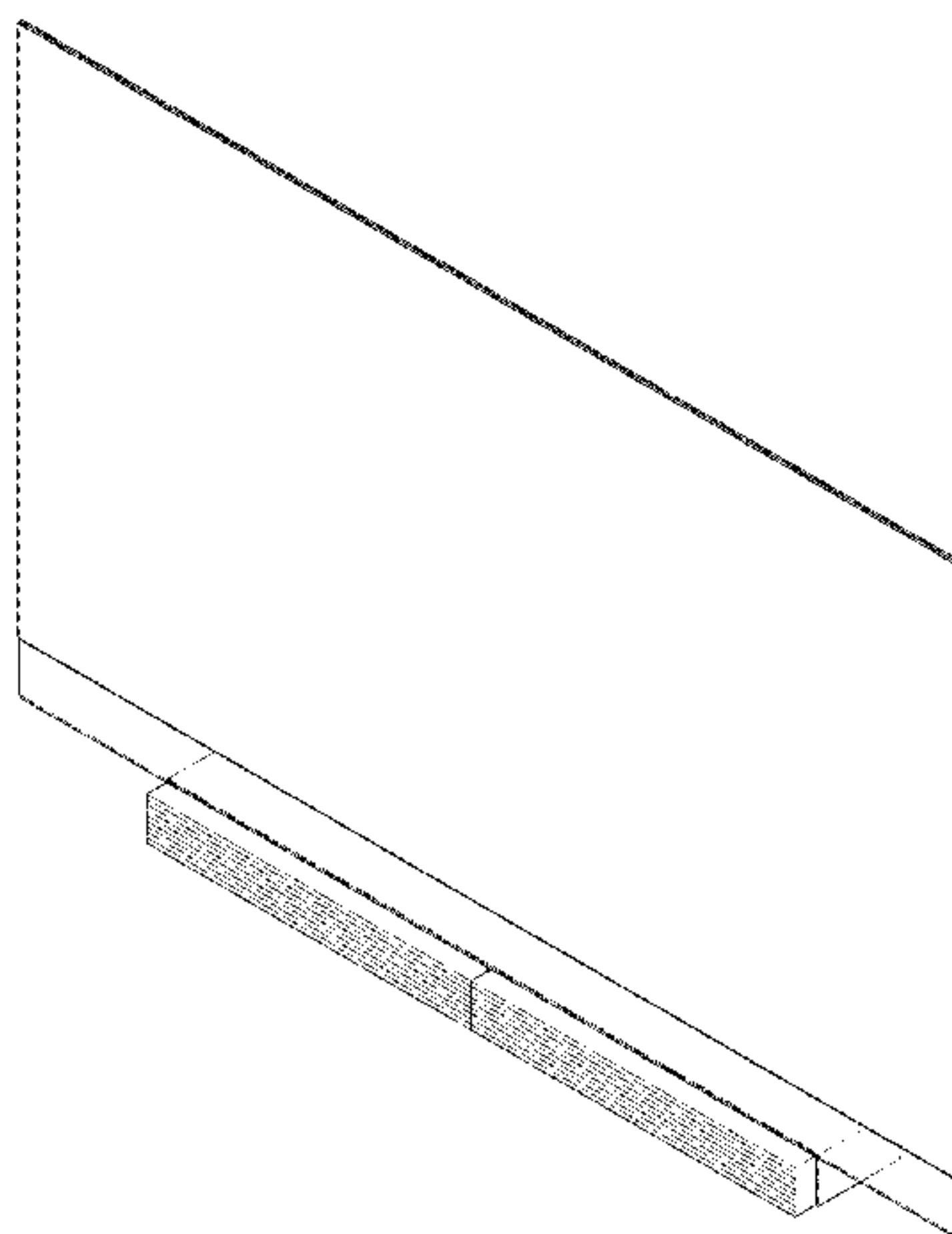
D717,756 S * 11/2014 Park D14/126

D722,300 S * 2/2015 Won D14/126

(Continued)

Primary Examiner — Melanie H Tung

1 Claim, 22 Drawing Sheets



(58) **Field of Classification Search**

CPC ... G06F 1/1601; G06F 1/1643; H05K 5/0004;
H05K 5/0017; H05K 5/02; H05K 5/0217

See application file for complete search history.

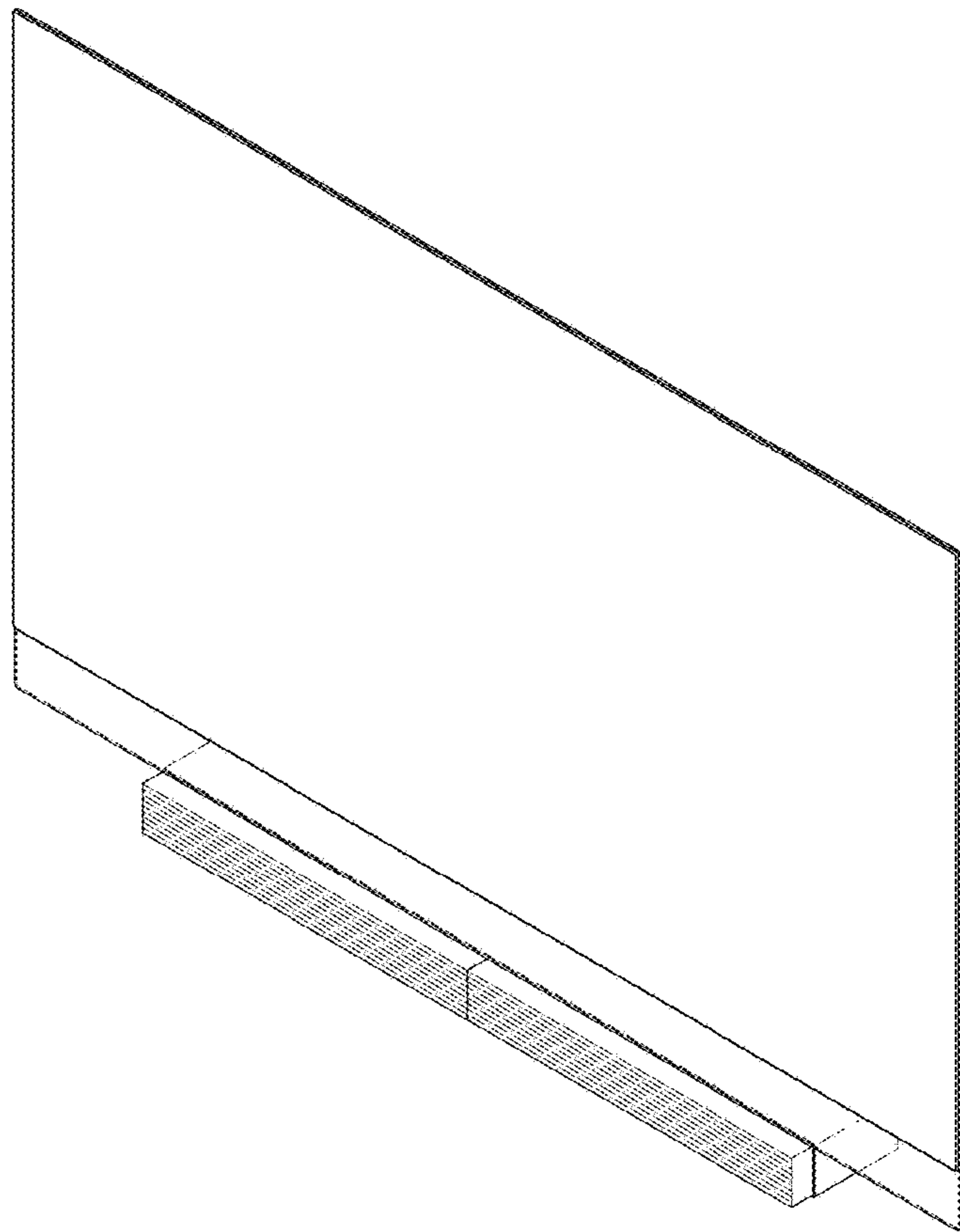
(56) **References Cited**

U.S. PATENT DOCUMENTS

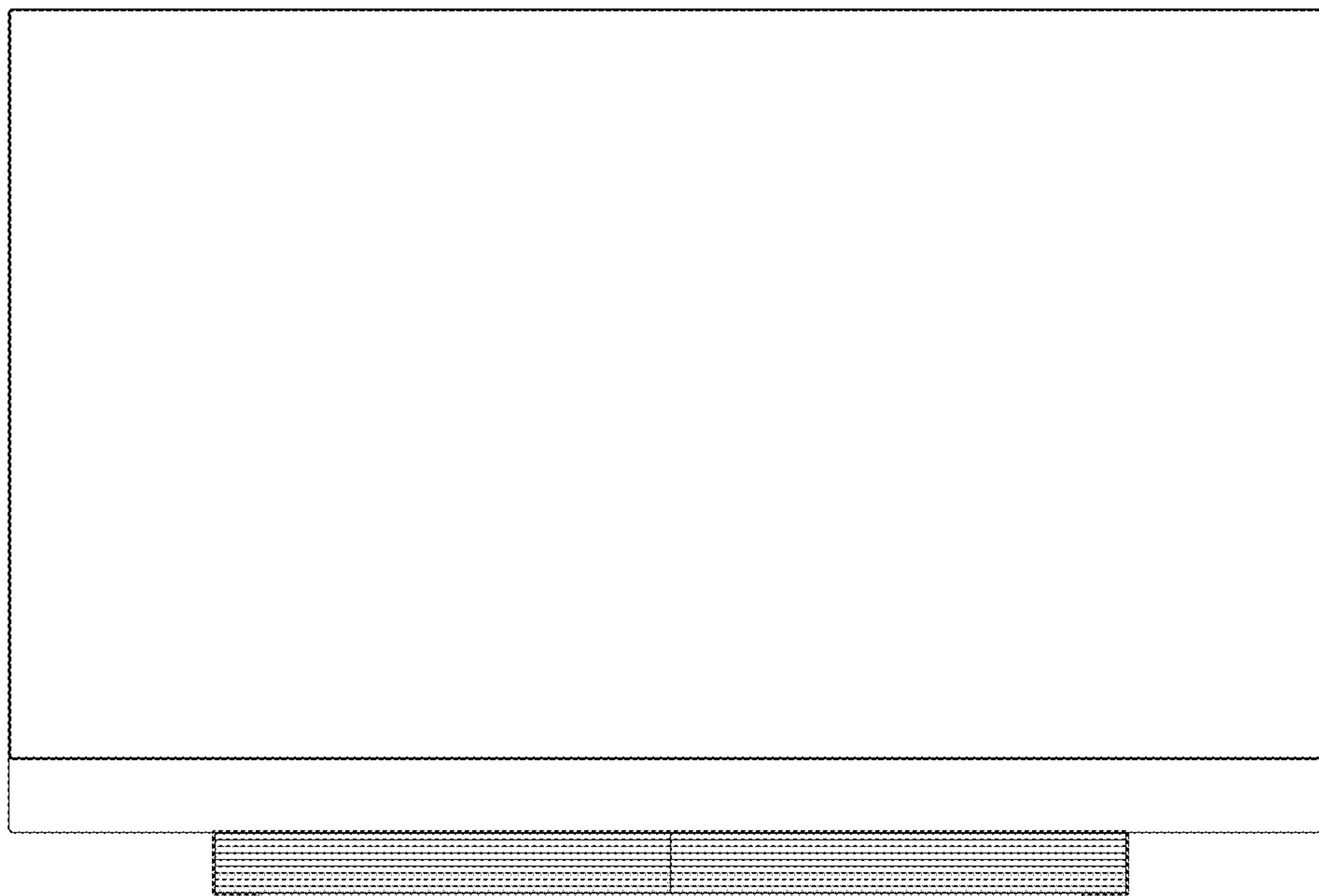
D772,831	S	*	11/2016	Han	D14/126
D772,832	S	*	11/2016	Han	D14/126
D772,833	S	*	11/2016	Han	D14/126
D773,419	S	*	12/2016	Han	D14/126
D790,493	S	*	6/2017	Han	D14/126
D791,094	S	*	7/2017	Han	D14/126
D807,313	S	*	1/2018	Kim	D14/126
D807,846	S	*	1/2018	Kim	D14/126
D812,028	S	*	3/2018	Kim	D14/126
D813,831	S	*	3/2018	Han	D14/126
D813,832	S	*	3/2018	Kim	D14/126
D817,905	S	*	5/2018	Kim	D14/126
D821,342	S	*	6/2018	Kim	D14/126
D823,822	S	*	7/2018	Kim	D14/126
D823,823	S	*	7/2018	Kim	D14/126
D824,352	S	*	7/2018	Kim	D14/126

* cited by examiner

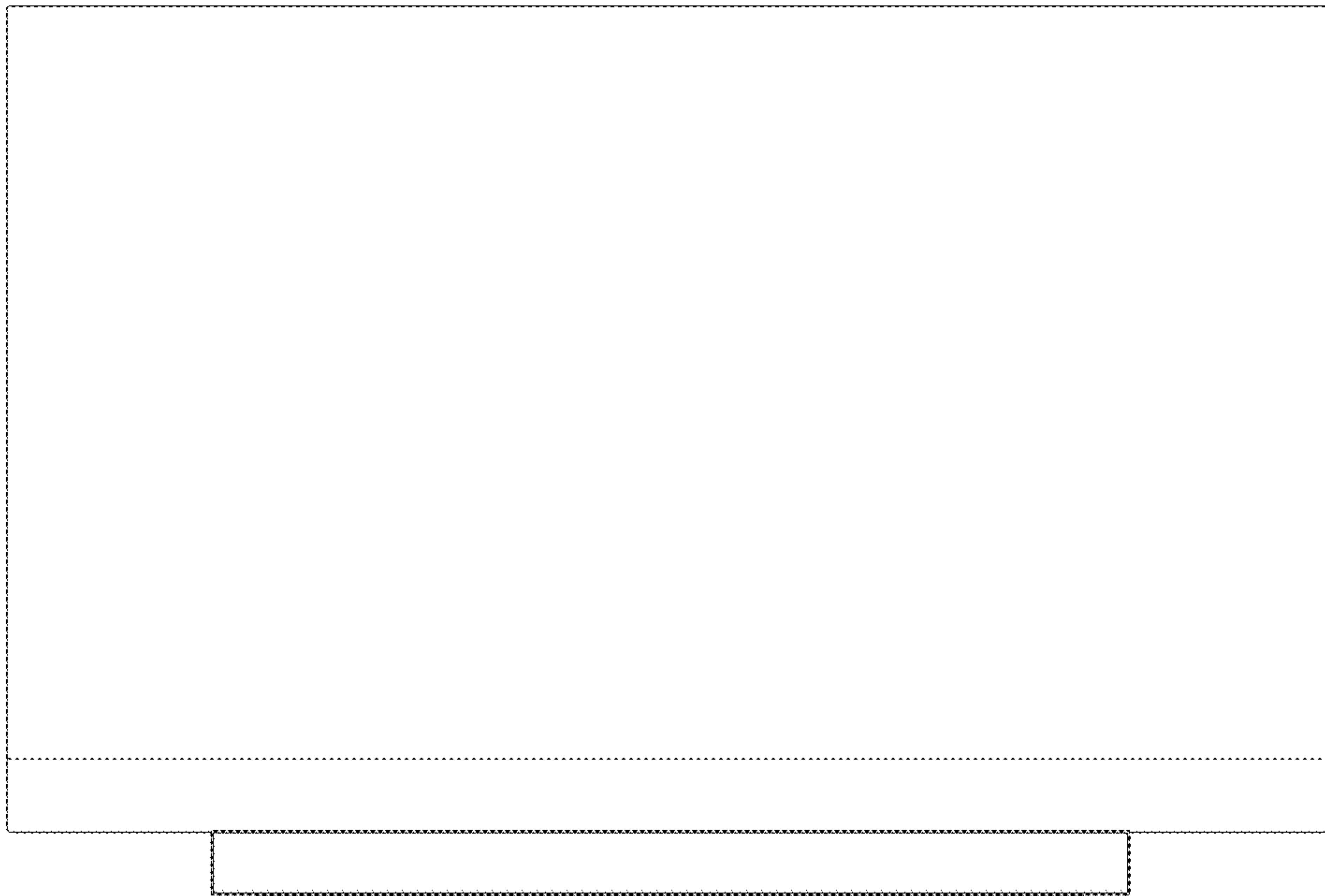
1.1



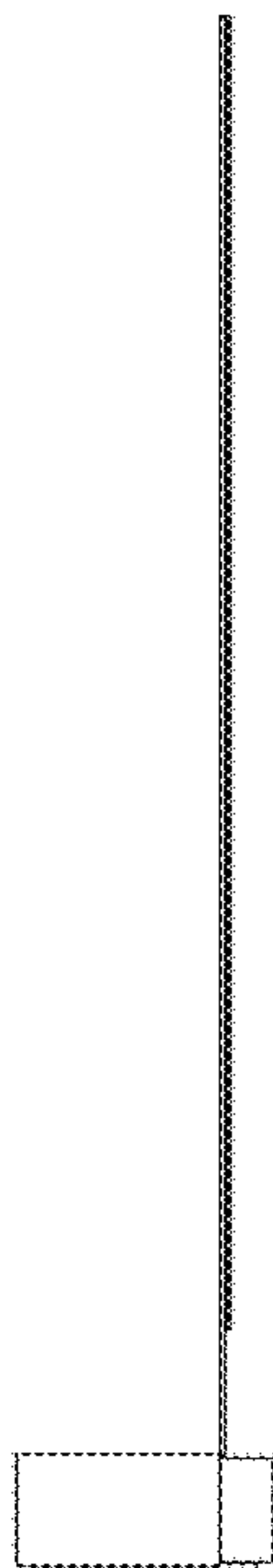
1.2



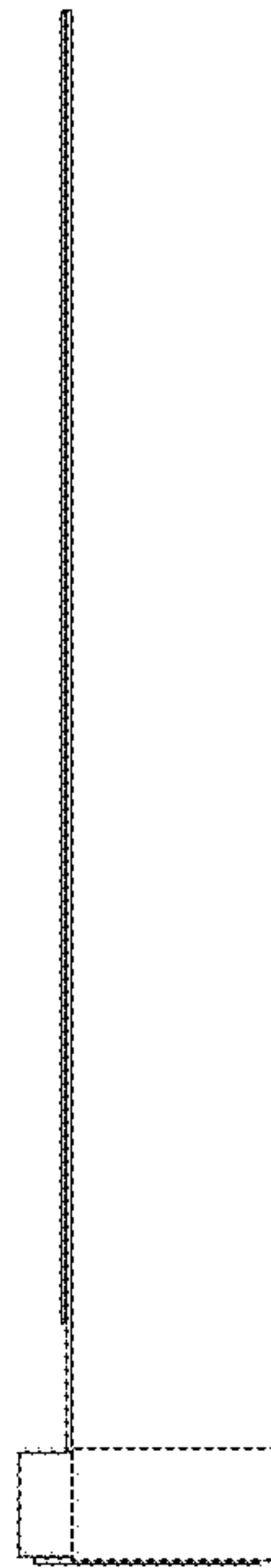
1.3



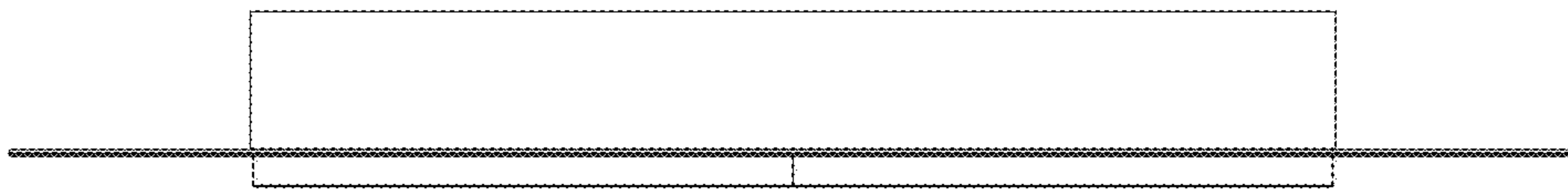
1.4



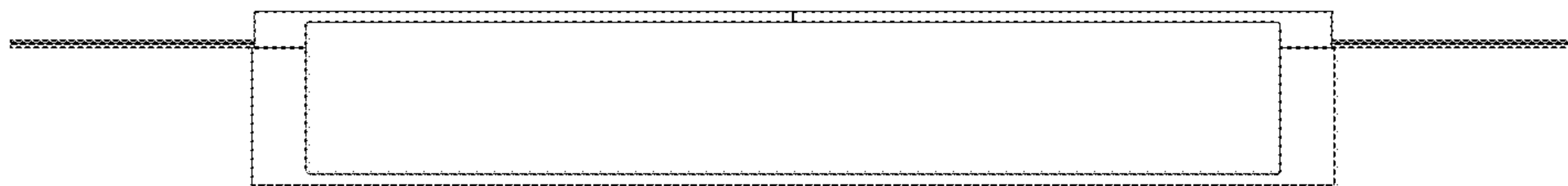
1.5



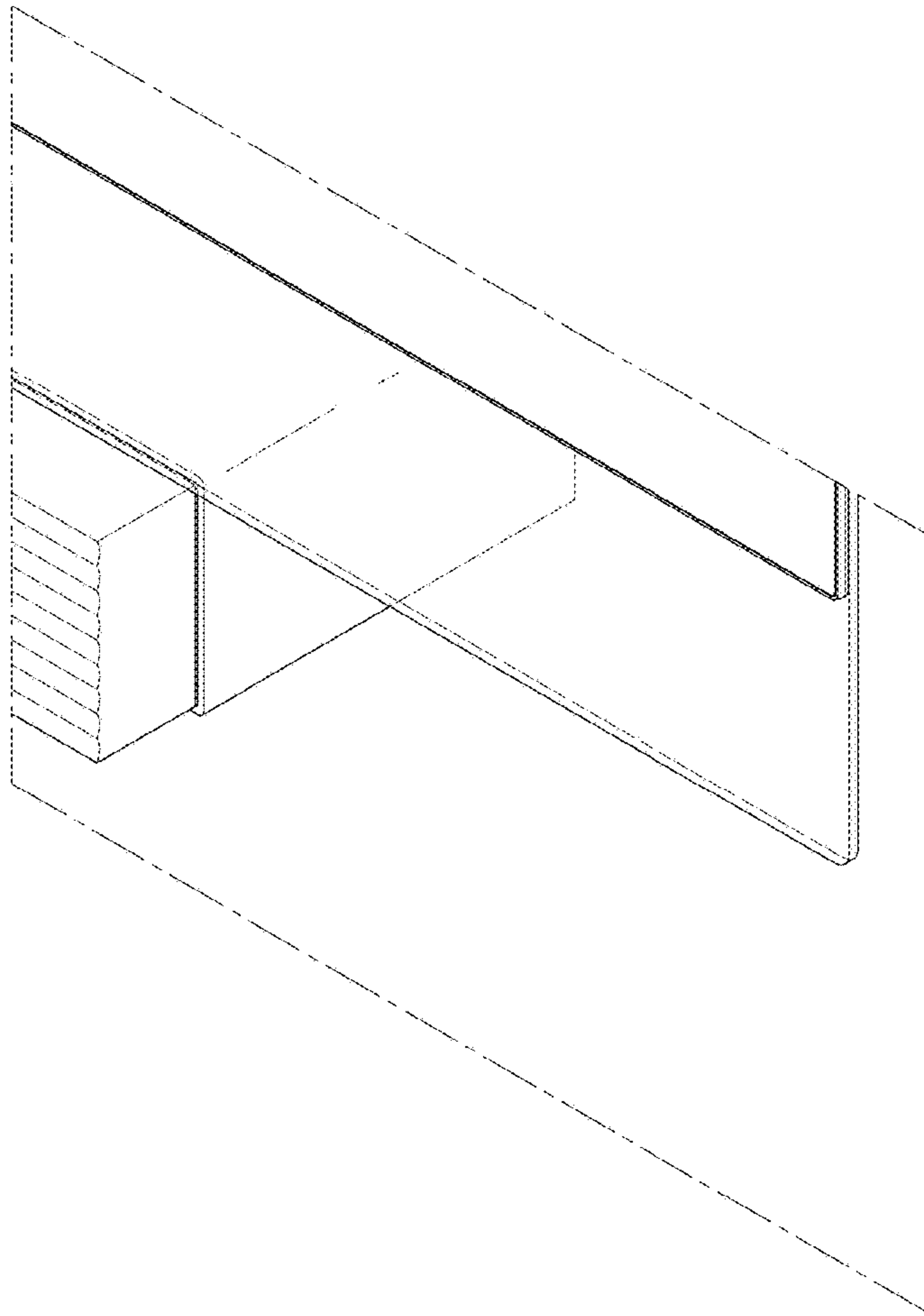
1.6



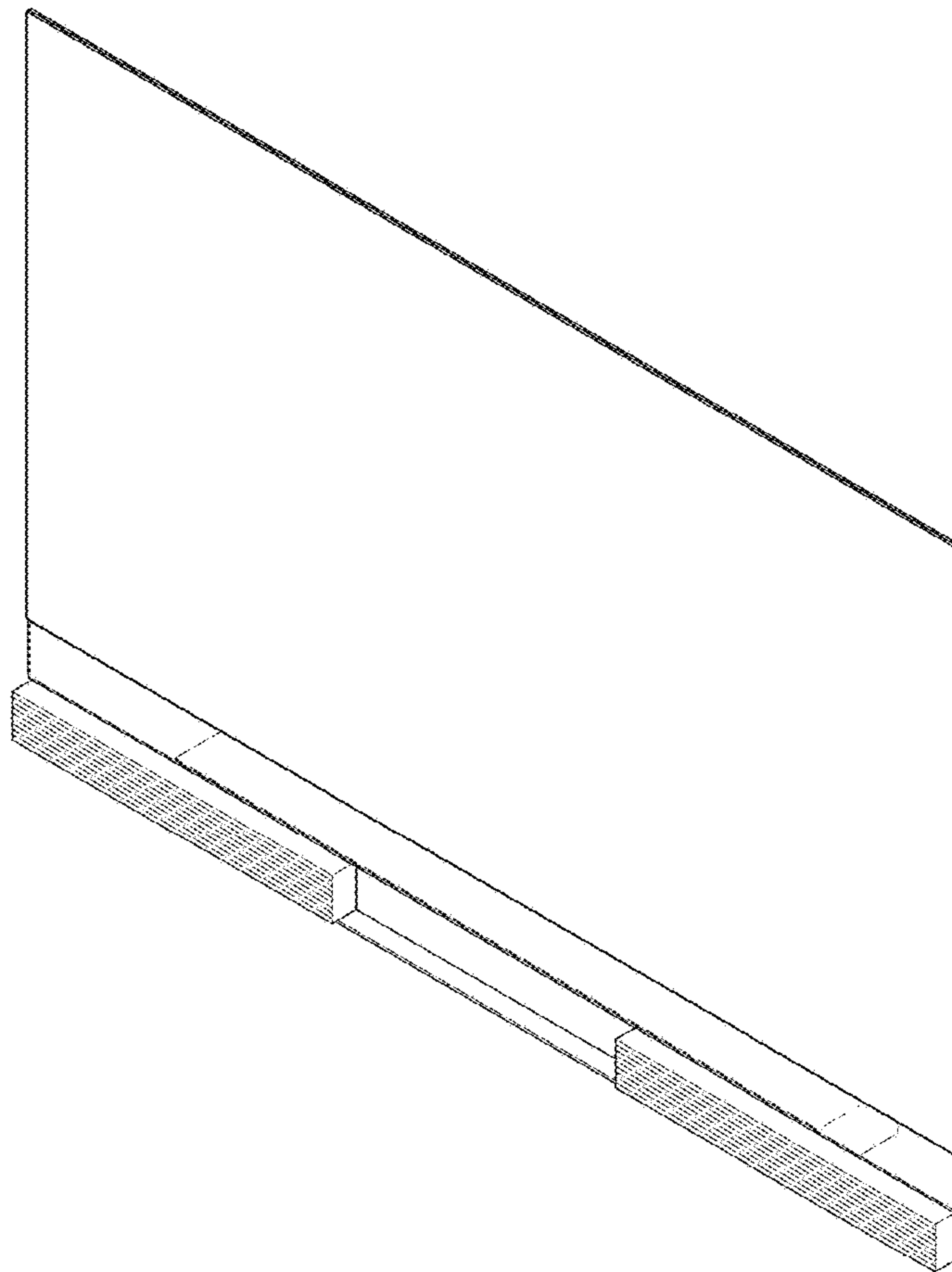
1.7



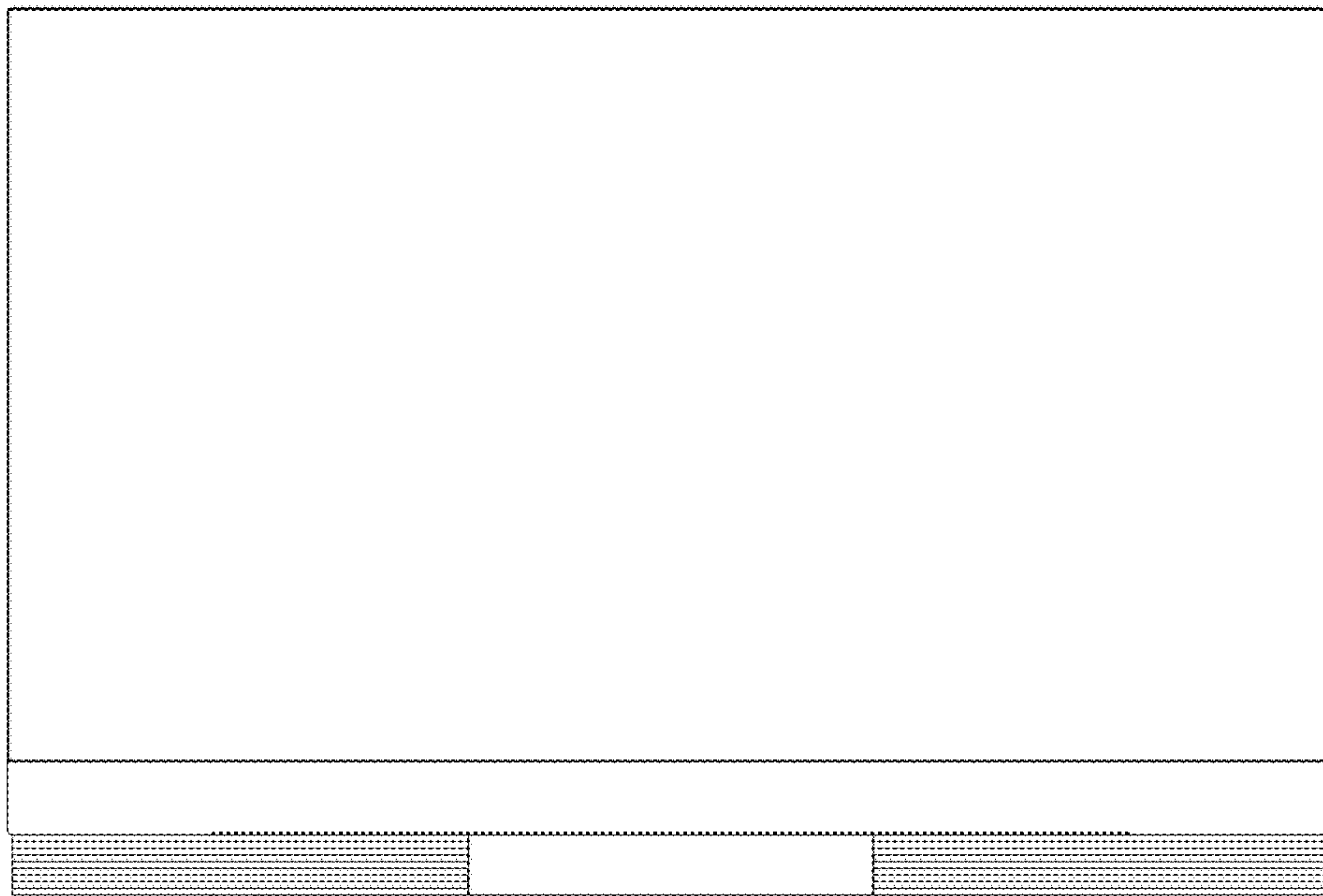
1.8



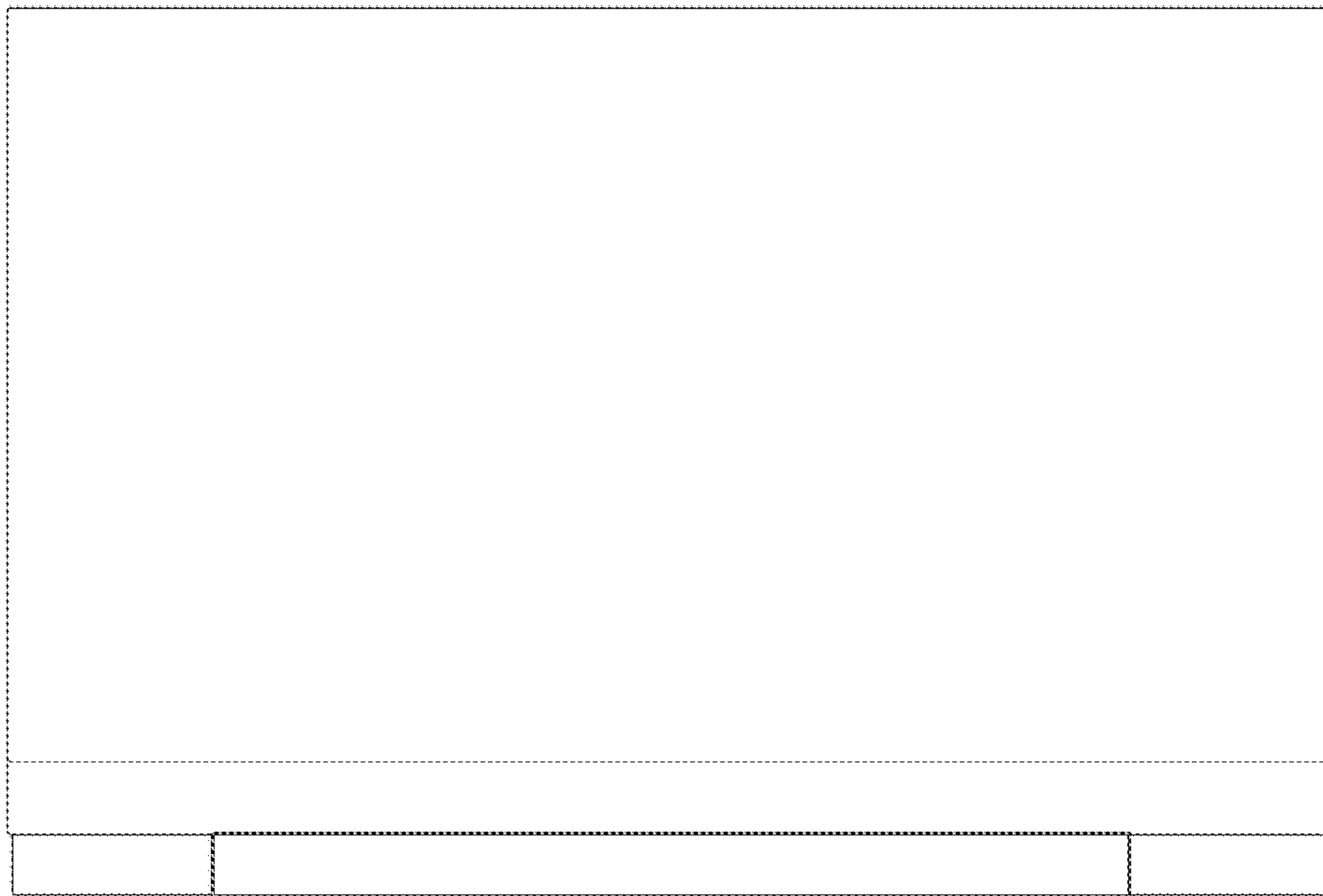
1.9



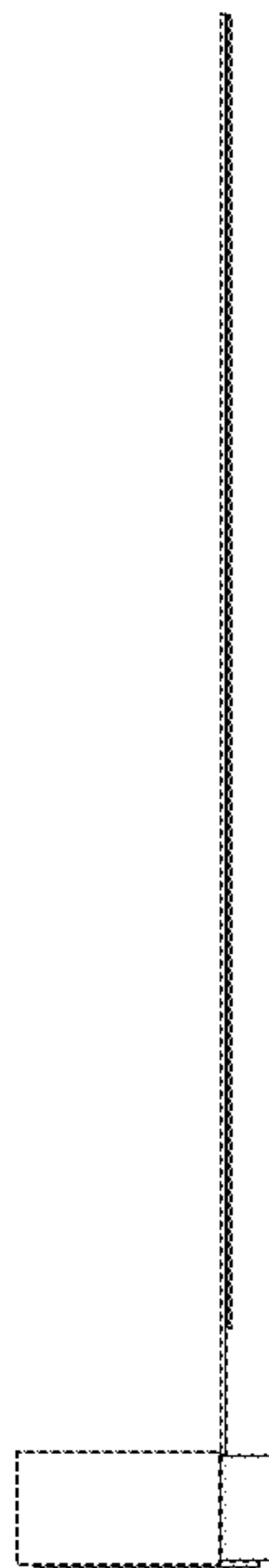
1.10



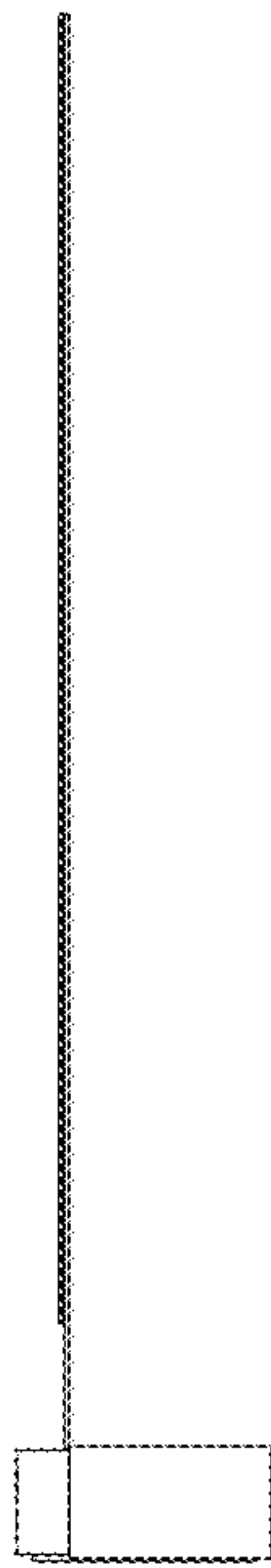
1.11



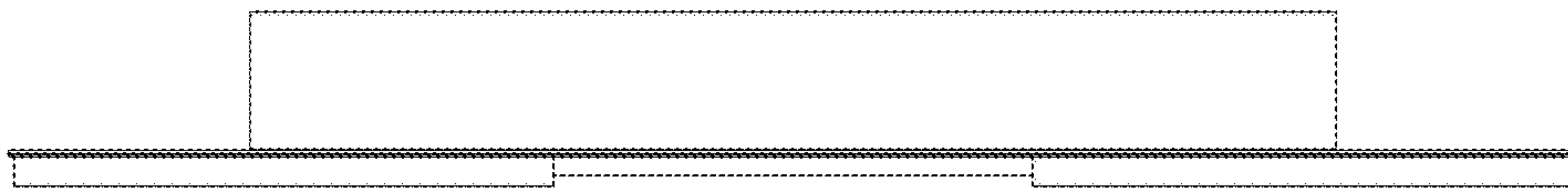
1.12



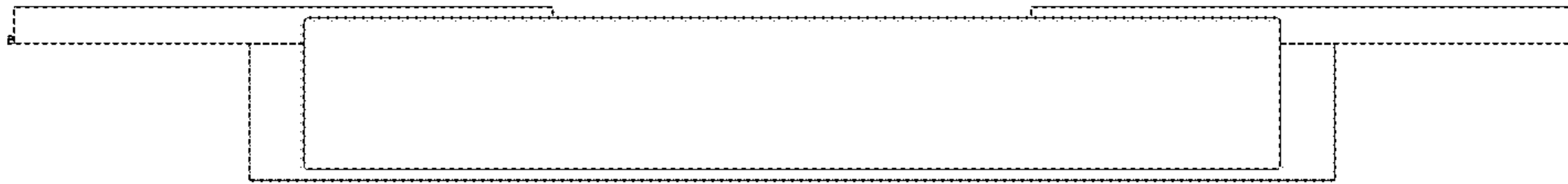
1.13



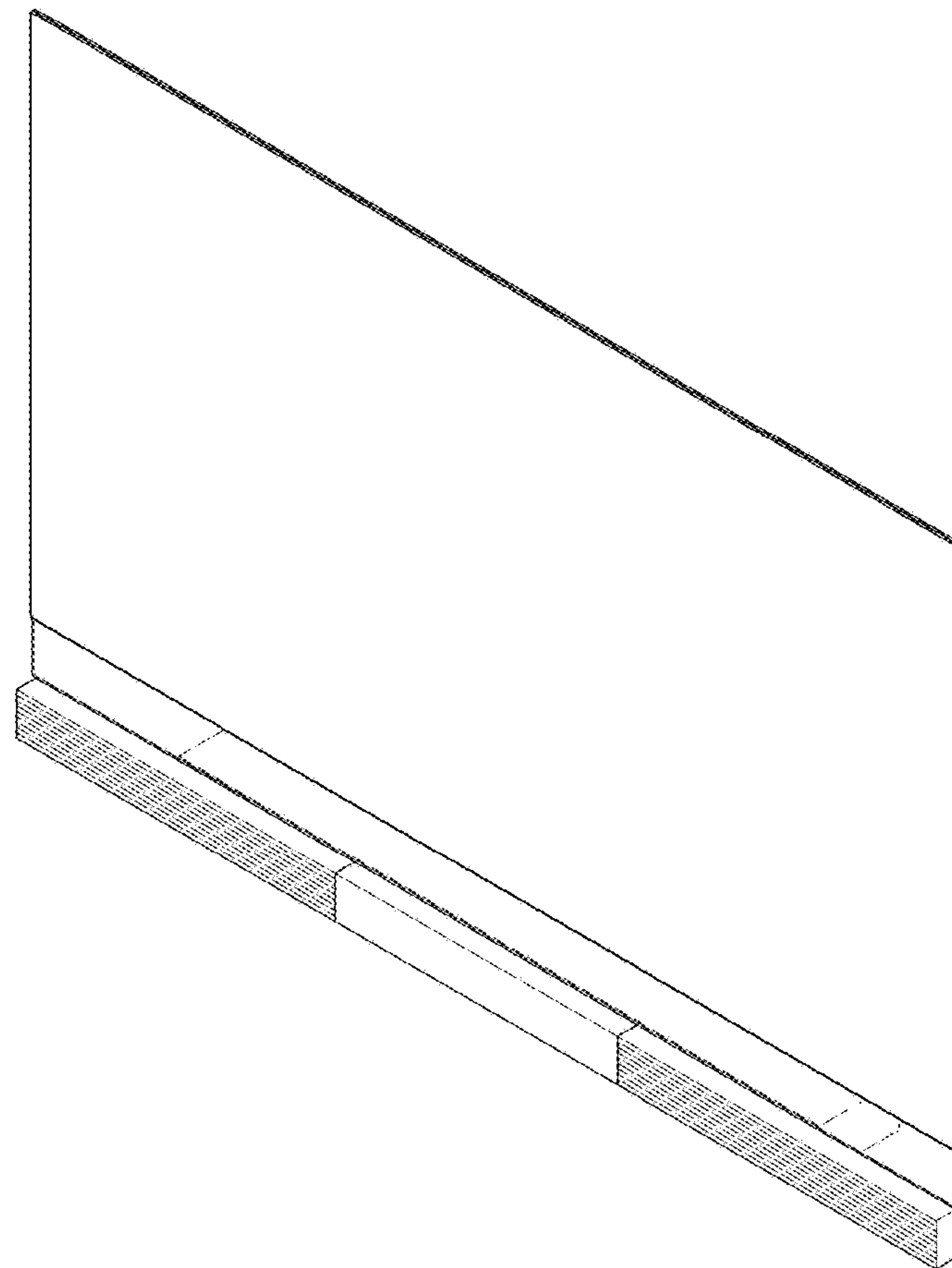
1.14



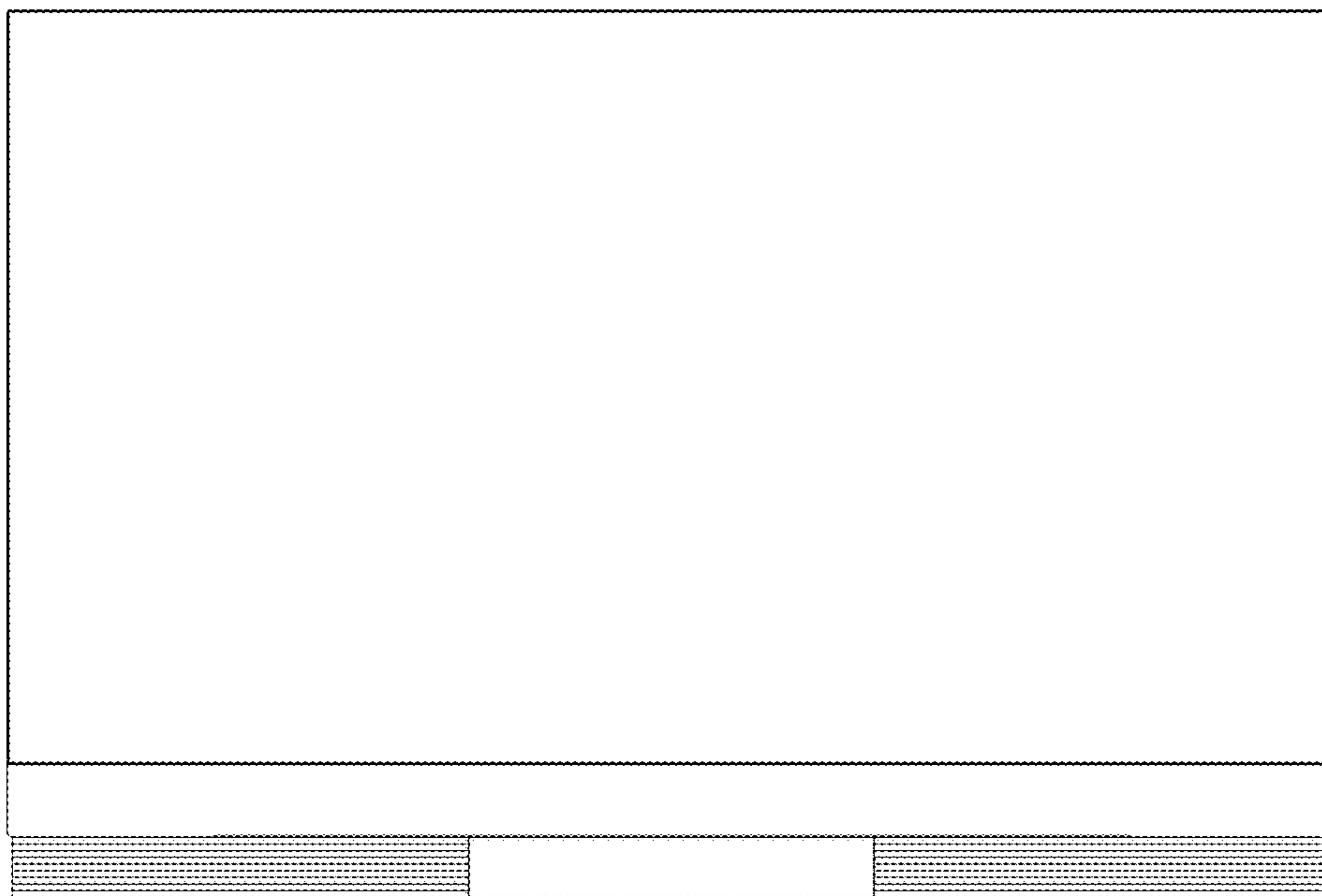
1.15



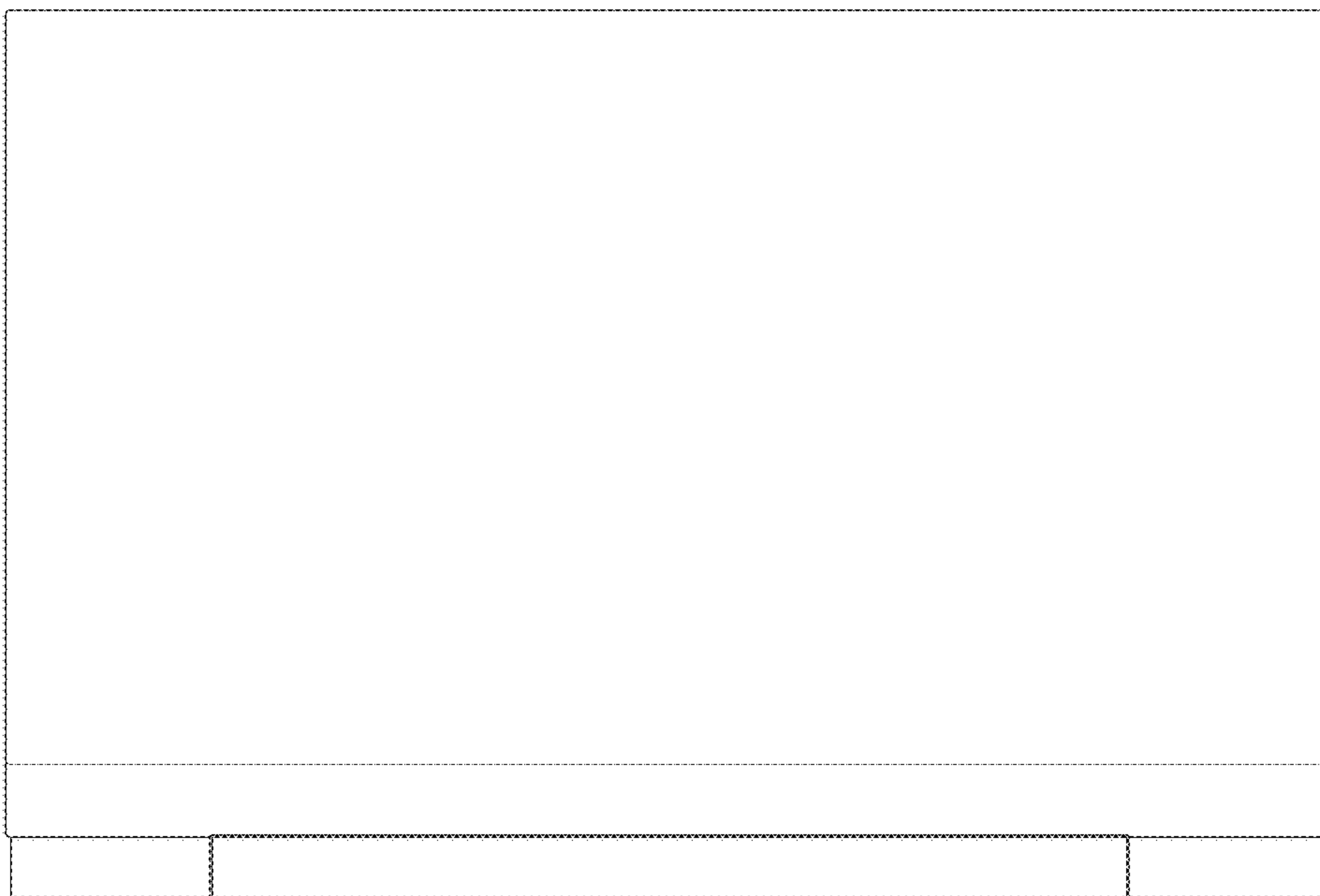
1.16



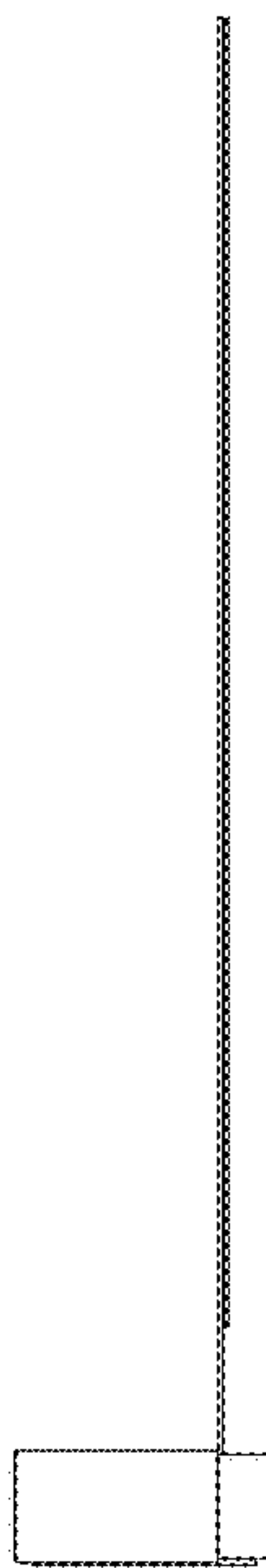
1.17



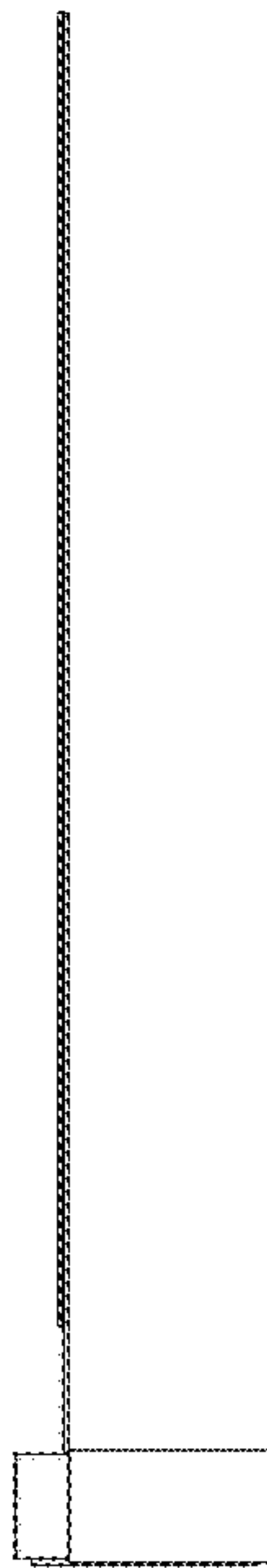
1.18



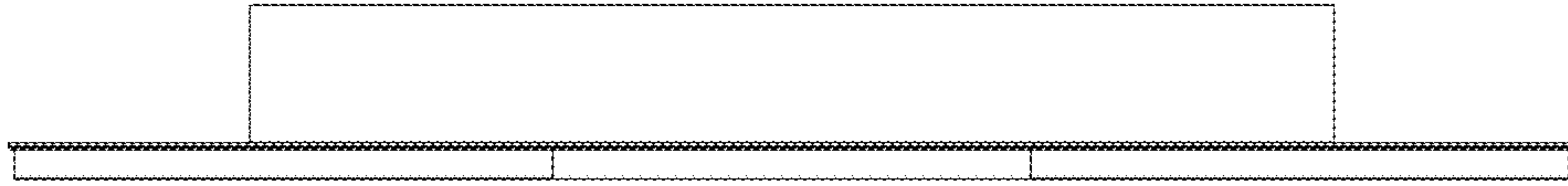
1.19



1.20



1.21



1.22

