

US00D852152S

(12) **United States Design Patent**  
**Lawrence et al.**

(10) **Patent No.:** **US D852,152 S**  
(45) **Date of Patent:** **\*\* Jun. 25, 2019**

- (54) **PROTECTIVE CASING FOR CABLES, WIRES, AND THE LIKE**
- (71) Applicant: **Molex, LLC**, Lisle, IL (US)
- (72) Inventors: **Tommy Lawrence**, Little Rock, AR (US); **Robert Dillman**, Santa Clara, CA (US); **Danny P. Cantrell**, Conway, AR (US); **Michael Davis**, Mayflower, AR (US)
- (73) Assignee: **Molex, LLC**, Lisle, IL (US)
- (\*\*) Term: **15 Years**
- (21) Appl. No.: **29/642,488**
- (22) Filed: **Mar. 29, 2018**
- (51) **LOC (11) Cl.** ..... **13-03**
- (52) **U.S. Cl.**  
USPC ..... **D13/184; D13/156**
- (58) **Field of Classification Search**  
USPC ..... D13/184, 153-156; 439/470, 471  
CPC ..... H01R 13/447; H01R 13/4538; H01R 13/4534; H01R 13/44  
See application file for complete search history.

- 5,259,782 A \* 11/1993 Giffin ..... H01R 13/6392  
439/314
- 5,584,720 A \* 12/1996 Elswick ..... H01R 13/6392  
439/368
- 5,713,753 A \* 2/1998 Bayer ..... H01R 13/6392  
439/369
- D407,377 S \* 3/1999 Landerholm ..... D13/154
- D408,365 S \* 4/1999 Sanders ..... D13/153
- 6,220,893 B1 \* 4/2001 Stephan ..... H01R 4/30  
439/519
- D464,325 S \* 10/2002 Peters ..... D13/156
- D473,524 S \* 4/2003 Koehler ..... D13/156
- D508,232 S \* 8/2005 Suckle ..... D13/156
- 7,189,100 B1 \* 3/2007 Colbourne ..... H01R 13/6392  
439/367
- D571,733 S \* 6/2008 Seil ..... D13/156

(Continued)

*Primary Examiner* — Janice Hallmark  
*Assistant Examiner* — Harold E Blackwell, II  
(74) *Attorney, Agent, or Firm* — Banner & Witcoff, Ltd.

(57) **CLAIM**

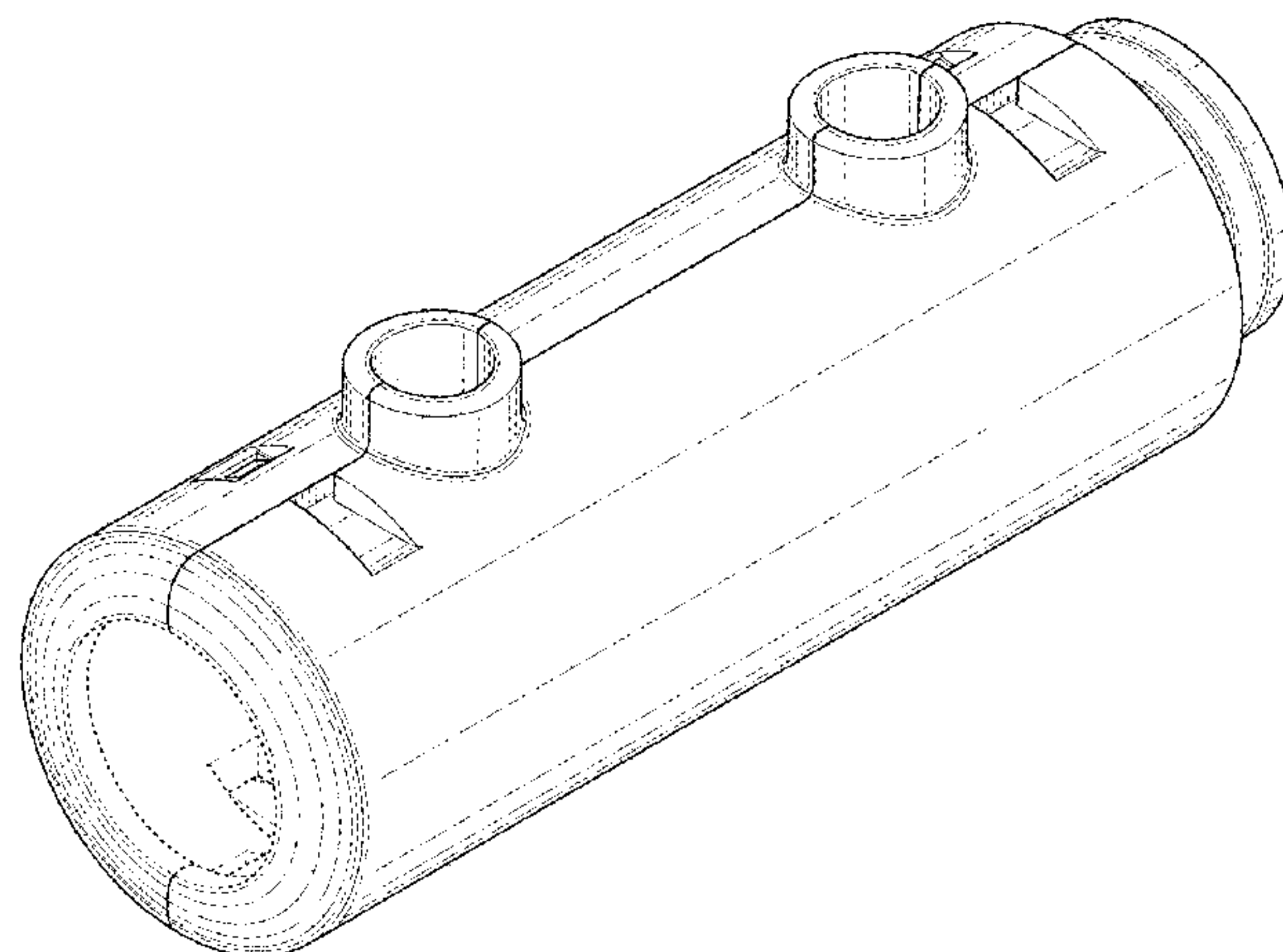
The ornamental design for a protective casing for cables, wires, and the like, as shown and described.

**DESCRIPTION**

FIG. 1 is a front top perspective view of a protective casing for cables, wires, and the like showing our new design; FIG. 2 is a left side view thereof; FIG. 3 is a right side view thereof; FIG. 4 is a rear view thereof; FIG. 5 is a front view thereof; FIG. 6 is a bottom view thereof; FIG. 7 is a top view thereof; and, FIG. 8 is a rear bottom perspective view thereof. The broken lines in the drawings illustrate portions of a protective casing for cables, wires, and the like that form no part of the claimed design.

**1 Claim, 8 Drawing Sheets**

- (56) **References Cited**  
U.S. PATENT DOCUMENTS
- 1,627,286 A \* 5/1927 Ile ..... H01R 13/447  
439/686
- 4,453,353 A \* 6/1984 Killop ..... E04H 12/20  
16/DIG. 13
- 1,643,505 A 2/1987 House et al.
- 4,643,505 A \* 2/1987 House ..... H01R 13/6392  
174/92
- 5,139,429 A \* 8/1992 Herman ..... H01R 13/60  
439/133
- D332,940 S \* 2/1993 Finlay ..... D13/154
- 5,217,387 A \* 6/1993 Hull ..... H01R 13/6392  
439/367



(56)

**References Cited**

U.S. PATENT DOCUMENTS

D586,757 S \* 2/2009 Minnick ..... D13/156  
7,553,181 B1 \* 6/2009 Van Dalinda, III .....  
H01R 13/6392  
174/92  
D607,412 S \* 1/2010 Palomaki ..... D13/149  
D631,848 S \* 2/2011 Montena ..... H01R 13/5213  
D13/133  
8,129,631 B1 \* 3/2012 Shemtov ..... H02G 3/14  
174/480  
8,702,440 B2 \* 4/2014 Nooner ..... H01R 13/5213  
439/279  
D776,623 S \* 1/2017 Jenkins ..... D13/156  
9,653,837 B2 \* 5/2017 Nooner ..... H01R 13/5208  
D821,988 S \* 7/2018 Chang ..... D13/184

\* cited by examiner

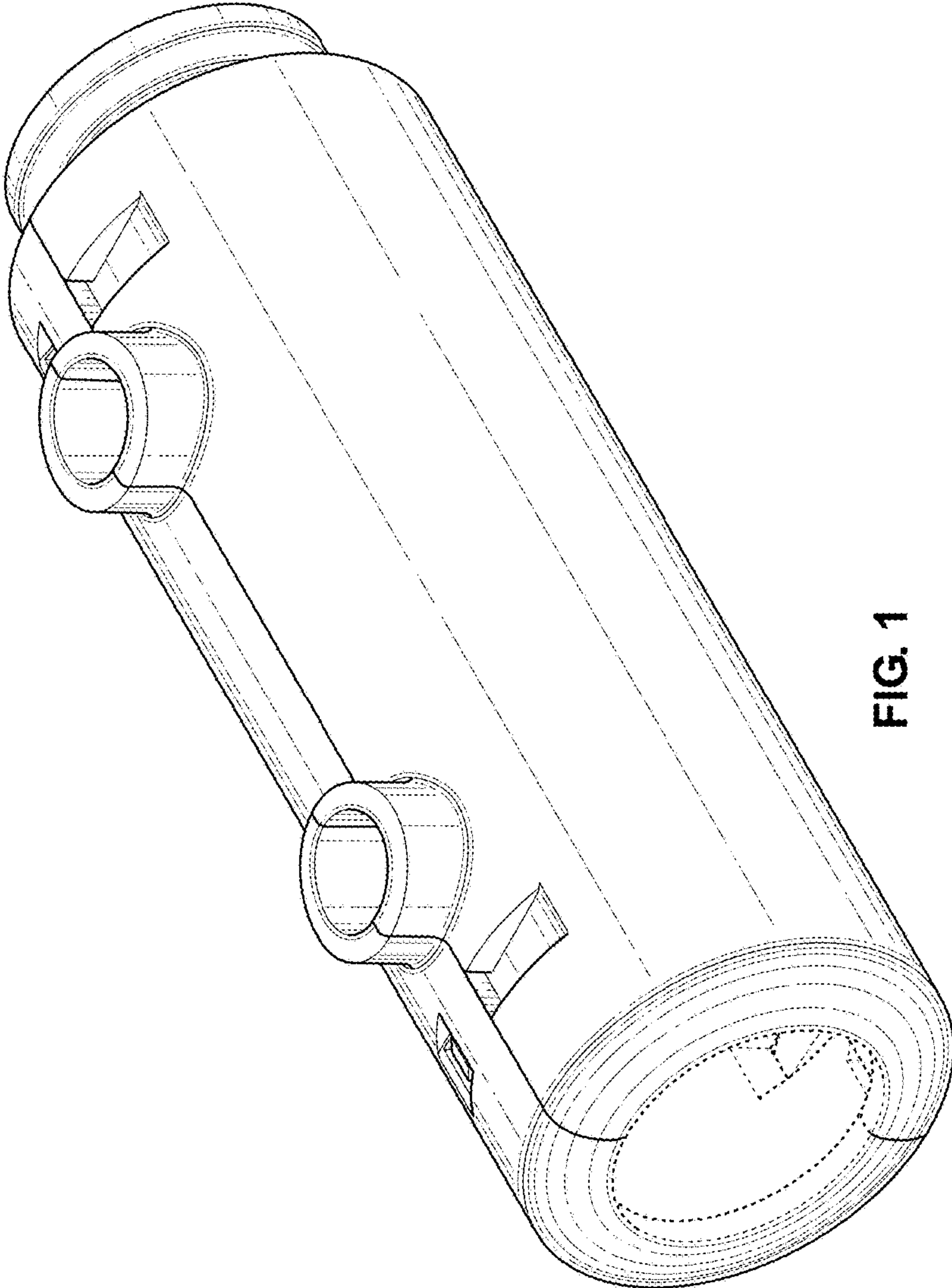


FIG. 1

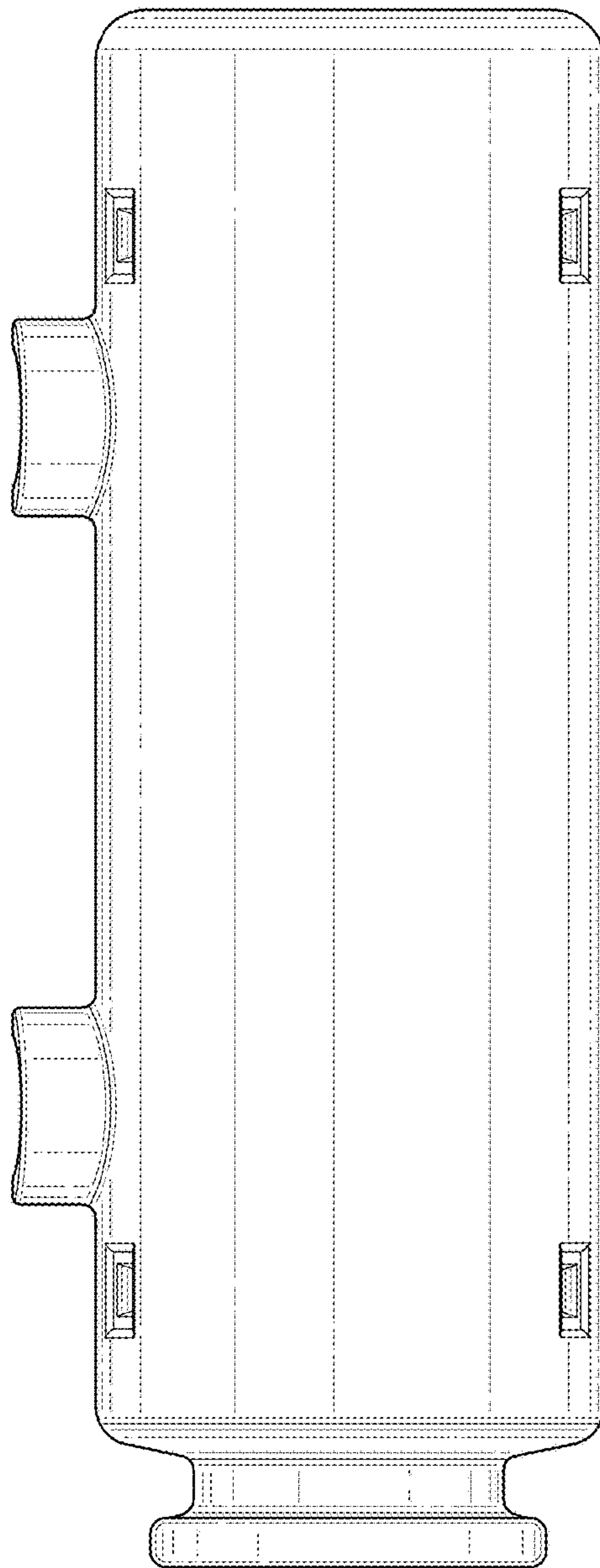


FIG. 2

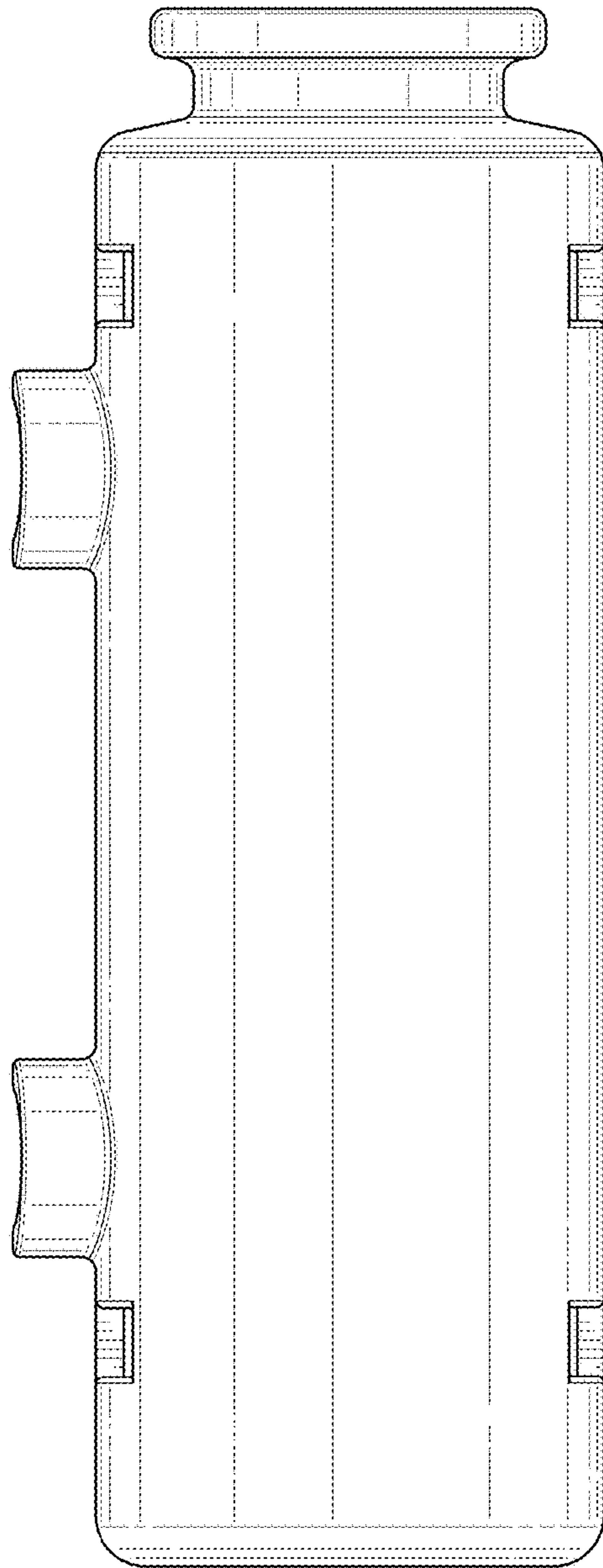


FIG. 3

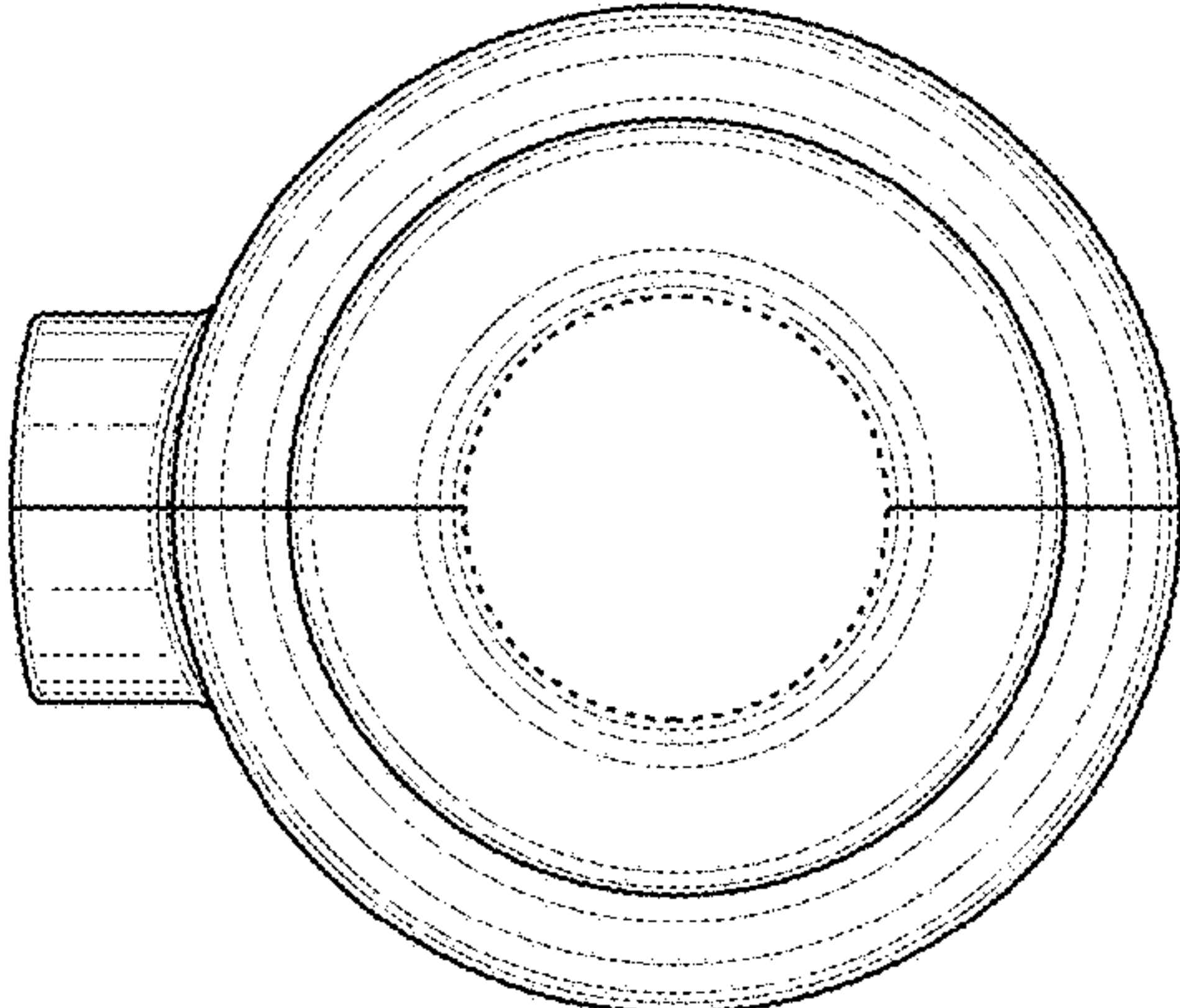


FIG. 4



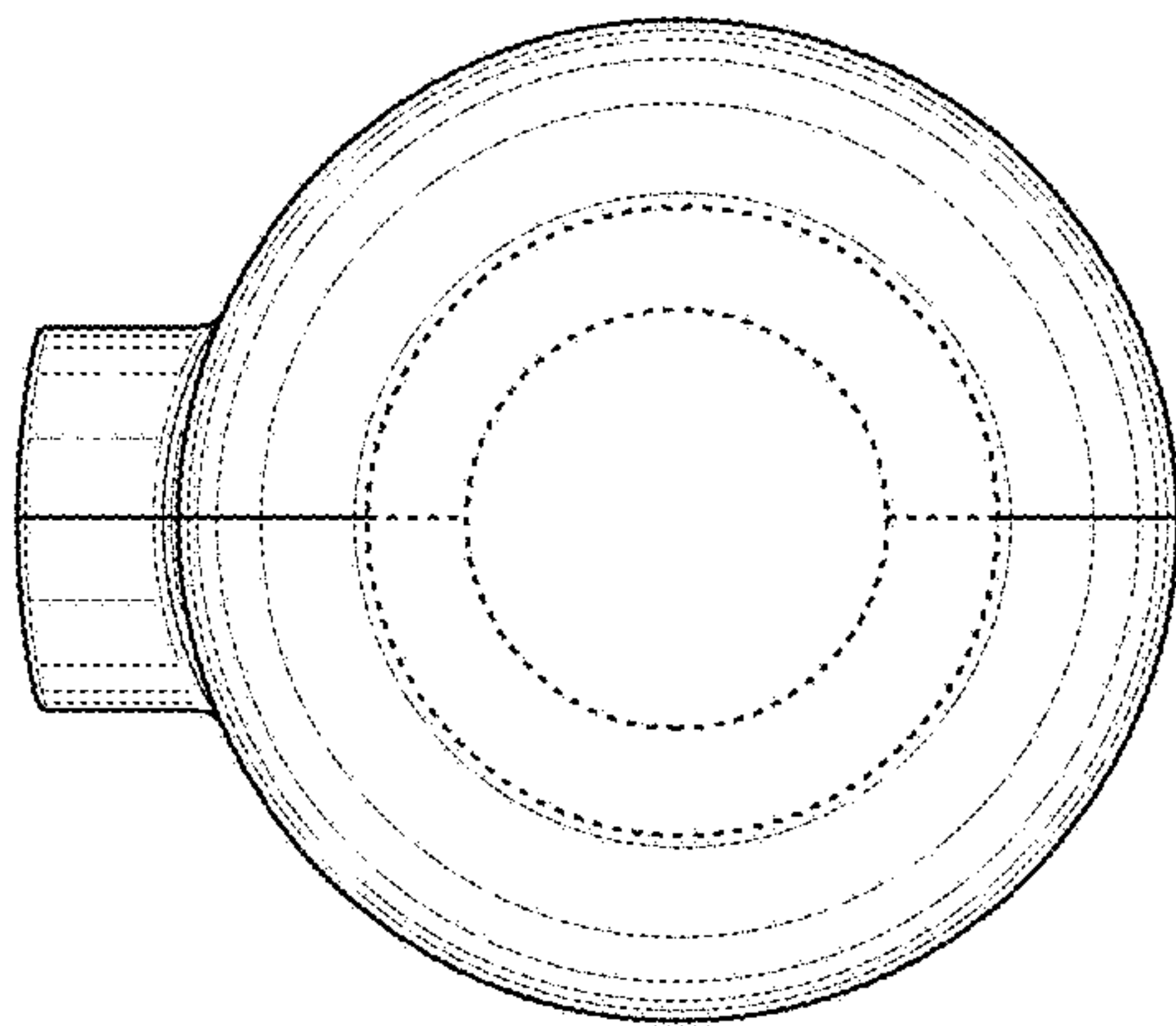


FIG. 5

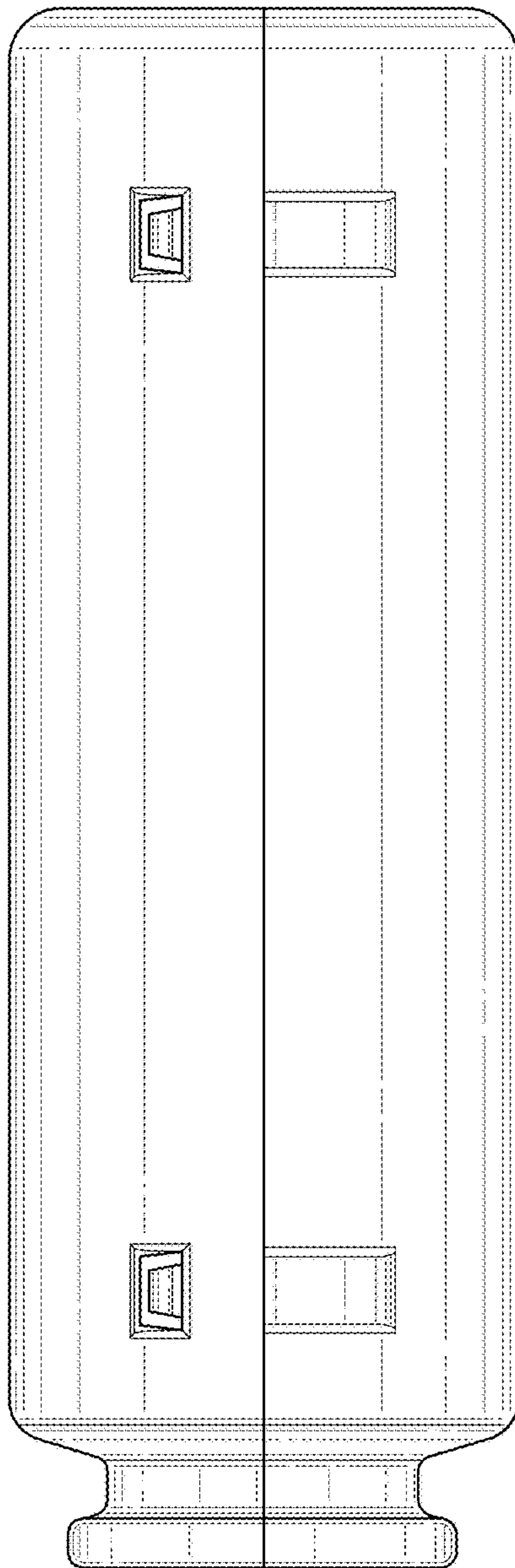


FIG. 6



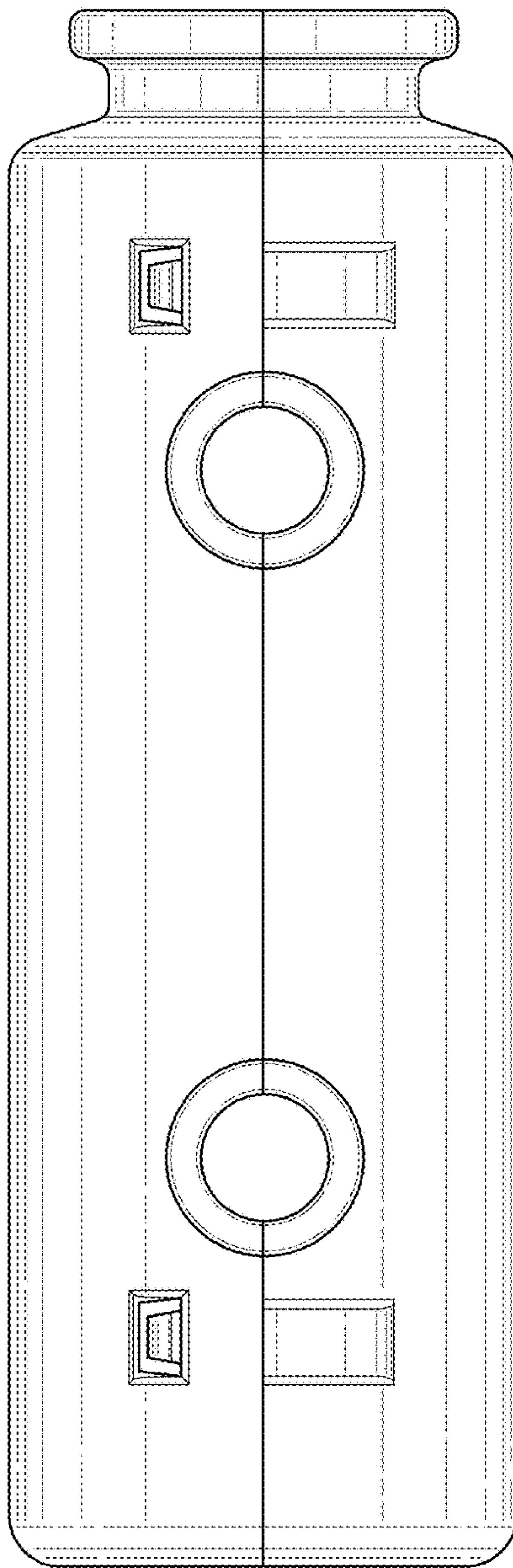


FIG. 7

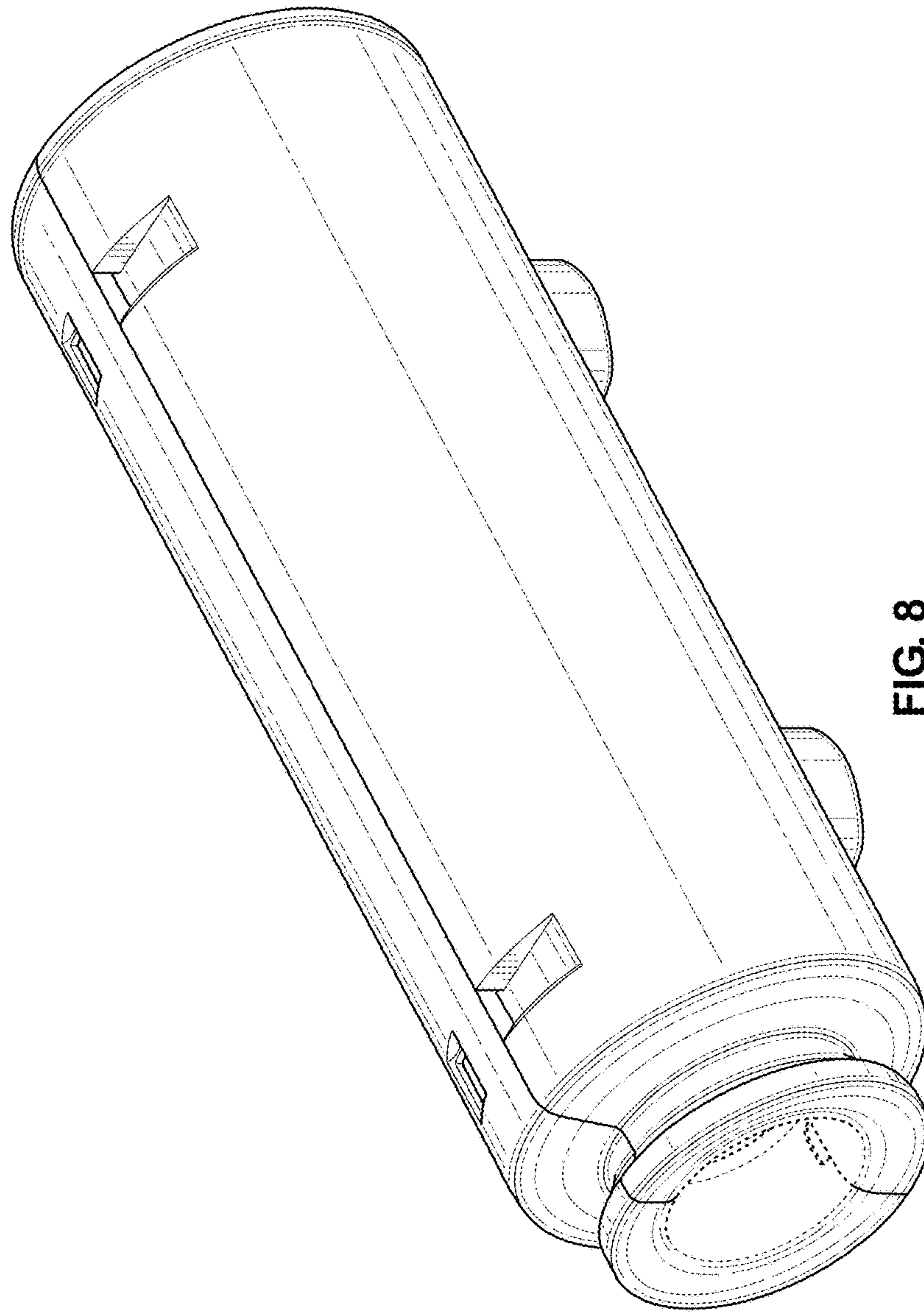


FIG. 8