



US00D852150S

(12) **United States Design Patent** (10) **Patent No.:** **US D852,150 S**  
**Turksu et al.** (45) **Date of Patent:** **\*\* Jun. 25, 2019**

- (54) **MAGNET MOUNT**
- (71) Applicant: **SARIANA, LLC**, San Diego, CA (US)
- (72) Inventors: **Alan Turksu**, San Diego, CA (US);  
**Mustafa Burak Guclu**, San Diego, CA (US)
- (73) Assignee: **SARIANA, LLC**, San Diego, CA (US)
- (\*\*) Term: **15 Years**
- (21) Appl. No.: **29/557,611**
- (22) Filed: **Mar. 10, 2016**
- (51) **LOC (11) Cl.** ..... **13-99**
- (52) **U.S. Cl.**  
USPC ..... **D13/183**
- (58) **Field of Classification Search**  
USPC ..... D13/133, 154, 183, 184, 199; D8/373,  
D8/352, 394, 499; D14/204, 221, 222;  
D28/82  
CPC ... A41F 1/002; A45C 13/002; A45C 13/1069;  
A45F 5/00; A44B 99/00; G09F 7/04;  
F16B 47/003; F16M 13/00  
See application file for complete search history.

(56) **References Cited**

**U.S. PATENT DOCUMENTS**

- 3,239,178 A \* 3/1966 Pompa ..... F16B 47/003  
211/1
- D273,840 S 5/1984 Morita
- D371,793 S 7/1996 Patton
- D400,429 S 11/1998 Morita
- D407,985 S 4/1999 Pimentel
- 5,922,993 A \* 7/1999 Ide ..... H01R 43/0228  
174/84 R
- D426,491 S 6/2000 Chan
- D435,835 S 1/2001 Steck
- D438,195 S \* 2/2001 Chao ..... D14/222
- D438,451 S 3/2001 Reiter
- D441,639 S 5/2001 Reiter

- D454,482 S 3/2002 Morita
- D461,400 S 8/2002 Aoki
- D464,562 S 10/2002 Reiter
- D511,985 S 11/2005 Kelly, Jr.
- D512,417 S 12/2005 Hirakawa
- D515,040 S 2/2006 Jones
- D518,030 S 3/2006 Lin
- D526,973 S 8/2006 Gates
- D530,525 S 10/2006 Greene, II
- D561,345 S 2/2008 Flick
- D581,528 S \* 11/2008 Sudo ..... D24/130
- D601,564 S 10/2009 Maeno
- D602,911 S 10/2009 Wang
- D616,032 S \* 5/2010 Maraia ..... D20/28
- D627,306 S 11/2010 Charleux
- D631,780 S \* 2/2011 Levy ..... D11/87
- D647,496 S \* 10/2011 Tung ..... D13/183
- D658,640 S 5/2012 Ivaskevicius

(Continued)

**OTHER PUBLICATIONS**

Satechi aluminum magnet mount, web site, May 2017 <https://satechi.net/products/satechi-aluminum-magnet-mount>.\*

*Primary Examiner* — Derrick E Holland  
(74) *Attorney, Agent, or Firm* — Wagenknecht IP Law Group PC

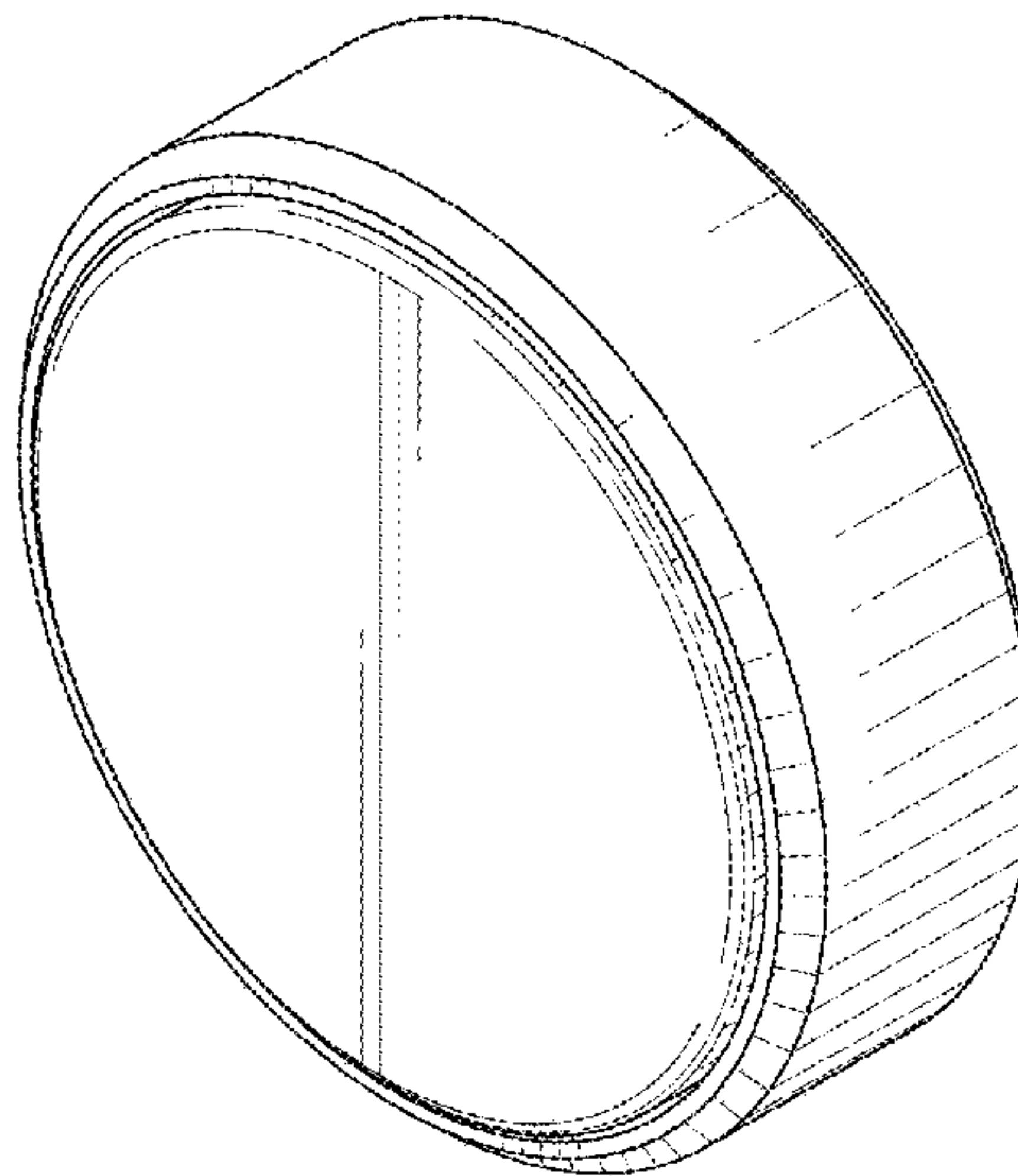
(57) **CLAIM**

The ornamental design for a magnet mount, as shown and described.

**DESCRIPTION**

FIG. 1 is a perspective view of a magnet mount showing our new design;  
FIG. 2 is a top plan view thereof, the bottom plan being a mirror image; and,  
FIG. 3 is a side elevation view thereof.  
The figures when lined are lined for color as described in the description of the corresponding figure.

**1 Claim, 2 Drawing Sheets**



(56)

References Cited

U.S. PATENT DOCUMENTS

D671,096 S	11/2012	Song		D746,165 S	12/2015	Li	
D671,528 S	11/2012	Fathollahi		D746,166 S	12/2015	Li	
D683,251 S	5/2013	Dumas		D747,229 S	1/2016	Perez	
D684,942 S *	6/2013	Zelazowski	..... G02C 9/00 D13/183	D747,984 S	1/2016	Zhao	
D687,009 S	7/2013	Song		D750,612 S	3/2016	Chen	
D690,707 S	10/2013	Minn et al.		D750,633 S	3/2016	Minn et al.	
D691,879 S	10/2013	Bernard		D759,605 S *	6/2016	Kimble	..... D13/183
D696,673 S	12/2013	Vogel		D765,651 S	9/2016	Liu et al.	
D700,904 S	3/2014	Miller		9,441,659 B2	9/2016	Ortwein	
D702,146 S	4/2014	Giovanni		D769,860 S	10/2016	Xiao	
D704,177 S	5/2014	Chun		D770,405 S *	11/2016	Esagoff	..... D13/183
D705,748 S	5/2014	He		D775,534 S	1/2017	Turksu et al.	
D706,249 S	6/2014	Holzer		D778,714 S	2/2017	McSweyn et al.	
D709,066 S	7/2014	Byun		D780,168 S	2/2017	Du	
D715,132 S	10/2014	McSweyn et al.		D781,297 S	3/2017	Liao	
D718,612 S	12/2014	McSweyn et al.		D782,462 S	3/2017	Huang	
D724,060 S	3/2015	Ahn		D782,901 S	4/2017	Richter	
D725,088 S	3/2015	Kwak		D783,592 S	4/2017	Ju	
D726,161 S *	4/2015	Howard	..... D14/218	D802,404 S	11/2017	Turksu et al.	
D729,773 S	5/2015	Salojarvi		2001/0014998 A1 *	8/2001	Grunberger	..... A41F 1/002 24/303
D739,222 S *	9/2015	Chadbourne	..... D8/394	2005/0245254 A1	11/2005	Hall	
D739,708 S	9/2015	McSweyn et al.		2012/0255505 A1	10/2012	Gauthier	
D743,382 S	11/2015	Katori		2013/0272775 A1	10/2013	Ortwein	
D743,954 S	11/2015	Chuang		2013/0292481 A1	11/2013	Filson	
				2014/0138419 A1	5/2014	Minn et al.	
				2017/0035172 A1	2/2017	Kim	
				2017/0170858 A1	6/2017	Tiller et al.	

\* cited by examiner

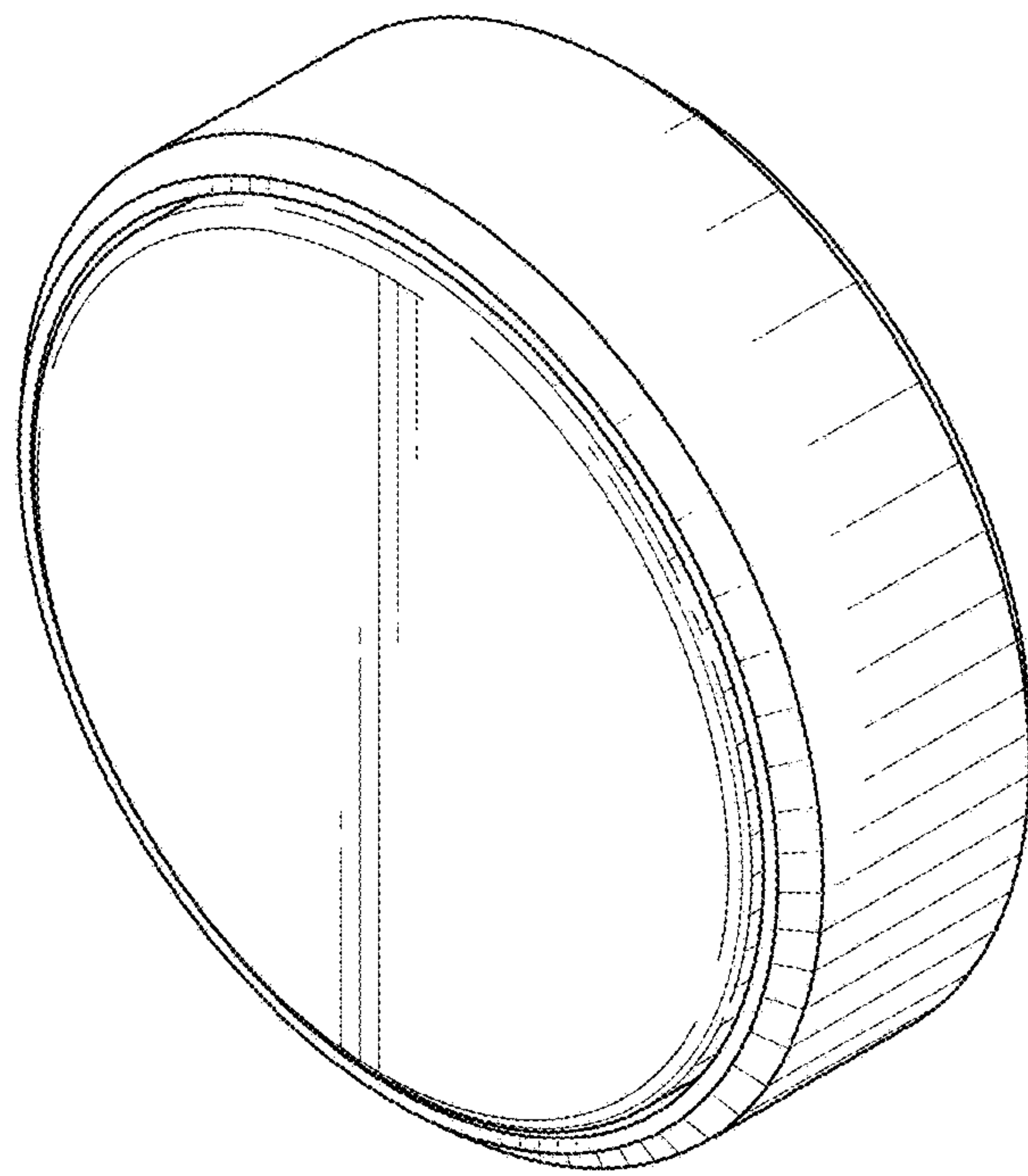


FIG. 1

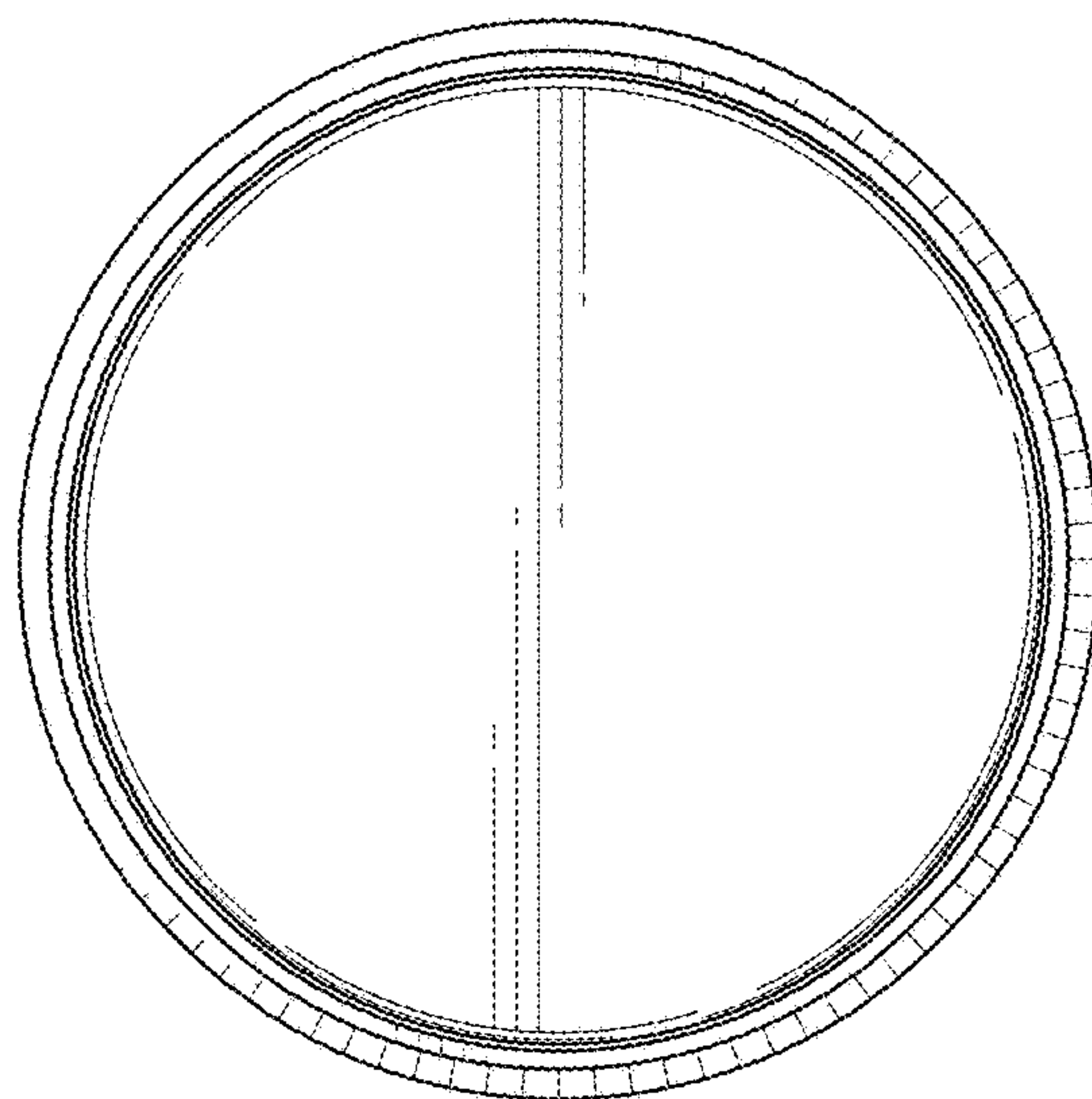


FIG. 2

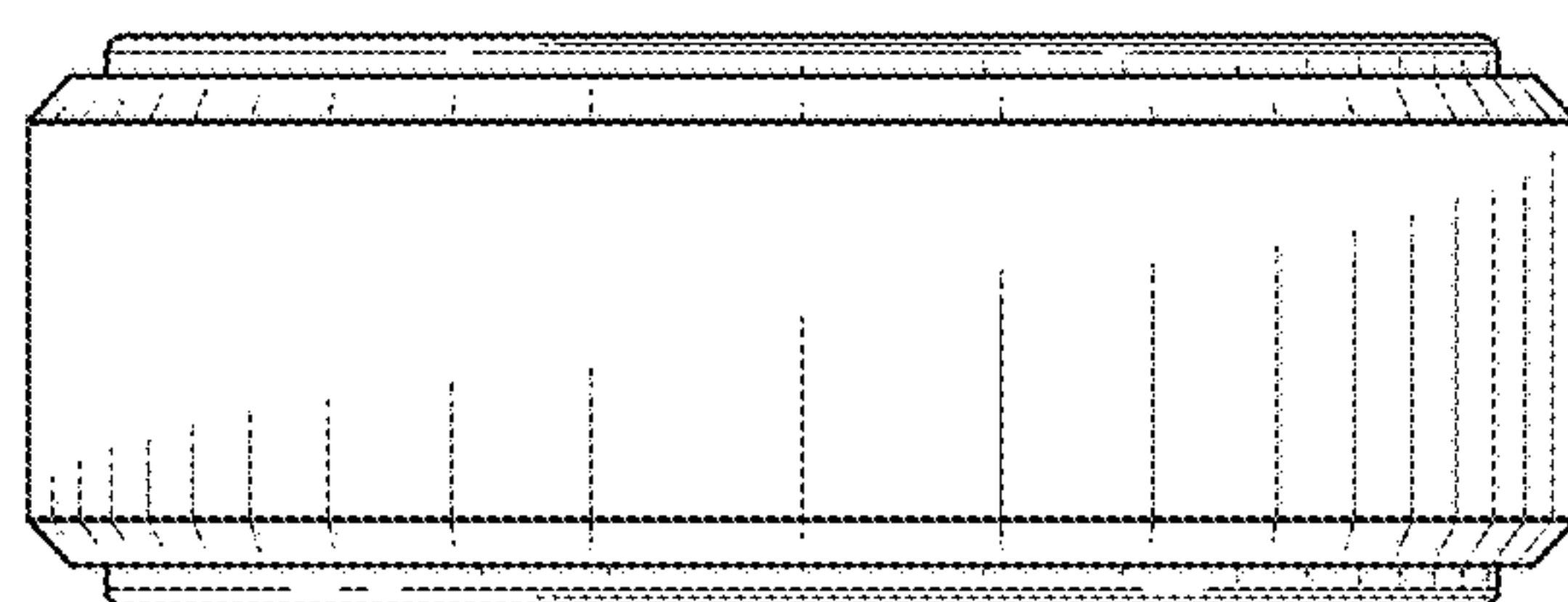


FIG. 3