



US00D852149S

(12) **United States Design Patent**  
**Wasmeier et al.**

(10) **Patent No.:** **US D852,149 S**  
(45) **Date of Patent:** **\*\* Jun. 25, 2019**

(54) **KEY BUTTON**

(71) Applicant: **GEORG SCHLEGEL GMBH & CO. KG**, Dürmentingen (DE)

(72) Inventors: **Albert Wasmeier**, Markdorf (DE);  
**Pascal Schoeler**, Scheidegg (DE)

(73) Assignee: **Georg Schlegel GmbH & Co. KG**,  
Duermentingen (DE)

(\*\*) Term: **15 Years**

(21) Appl. No.: **35/503,023**

(22) Filed: **May 8, 2017**

(80) **Hague Agreement Data**

Int. Filing Date: **May 8, 2017**  
Int. Reg. No.: **DM/096063**  
Int. Reg. Date: **May 8, 2017**  
Int. Reg. Pub. Date: **May 26, 2017**

(30) **Foreign Application Priority Data**

Nov. 7, 2016 (EM) ..... 003450949

(51) **LOC (11) Cl.** ..... **13-03**

(52) **U.S. Cl.**  
USPC ..... **D13/174**

(58) **Field of Classification Search**  
USPC ..... 13/171, 174  
CPC ..... B60K 37/02; G01D 11/28; F21S 8/035;  
H01R 13/717; F21V 23/0442  
See application file for complete search history.

(56) **References Cited**

**U.S. PATENT DOCUMENTS**

4,419,555 A \* 12/1983 Kim ..... H01H 13/023  
200/293  
D469,411 S \* 1/2003 Decosse ..... D13/171  
6,930,267 B2 \* 8/2005 Chou ..... H01H 3/022  
200/334

D570,300 S \* 6/2008 Weinberg ..... D13/174  
7,884,299 B2 \* 2/2011 Glew ..... H03K 17/955  
200/310  
D645,005 S \* 9/2011 Menheere ..... D13/171  
D725,050 S \* 3/2015 Tsugawa ..... D13/171  
D725,612 S \* 3/2015 Schlegel ..... D13/174  
D736,722 S \* 8/2015 Chu ..... D13/171  
D813,829 S \* 3/2018 Raphael ..... D13/177  
2006/0209484 A1 \* 9/2006 Roell ..... H01H 13/023  
361/118  
2013/0199907 A1 \* 8/2013 Sugihara ..... H01H 9/0207  
200/296

(Continued)

*Primary Examiner* — Michael A. Pratt

(74) *Attorney, Agent, or Firm* — Burr & Brown, PLLC

(57) **CLAIM**

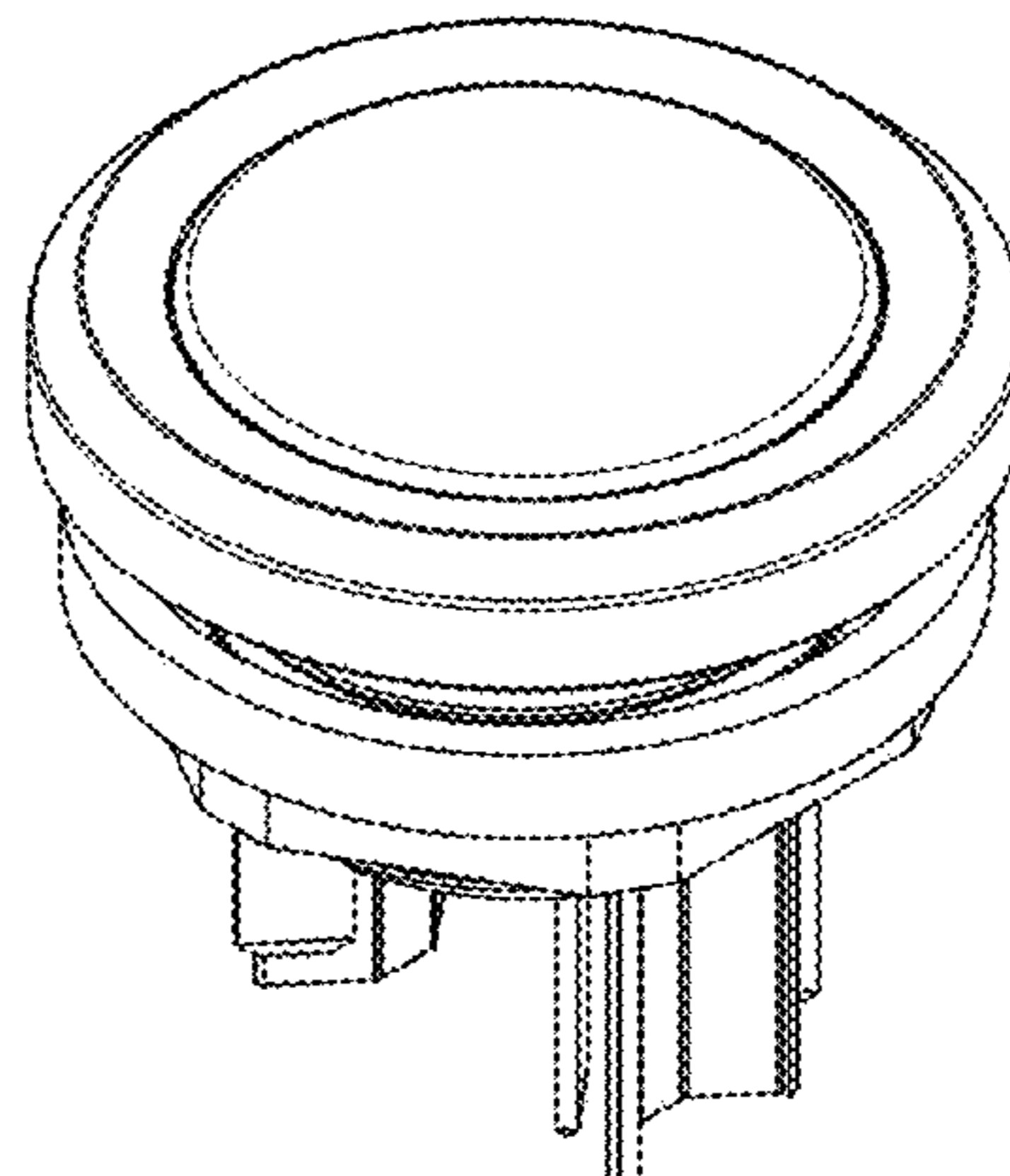
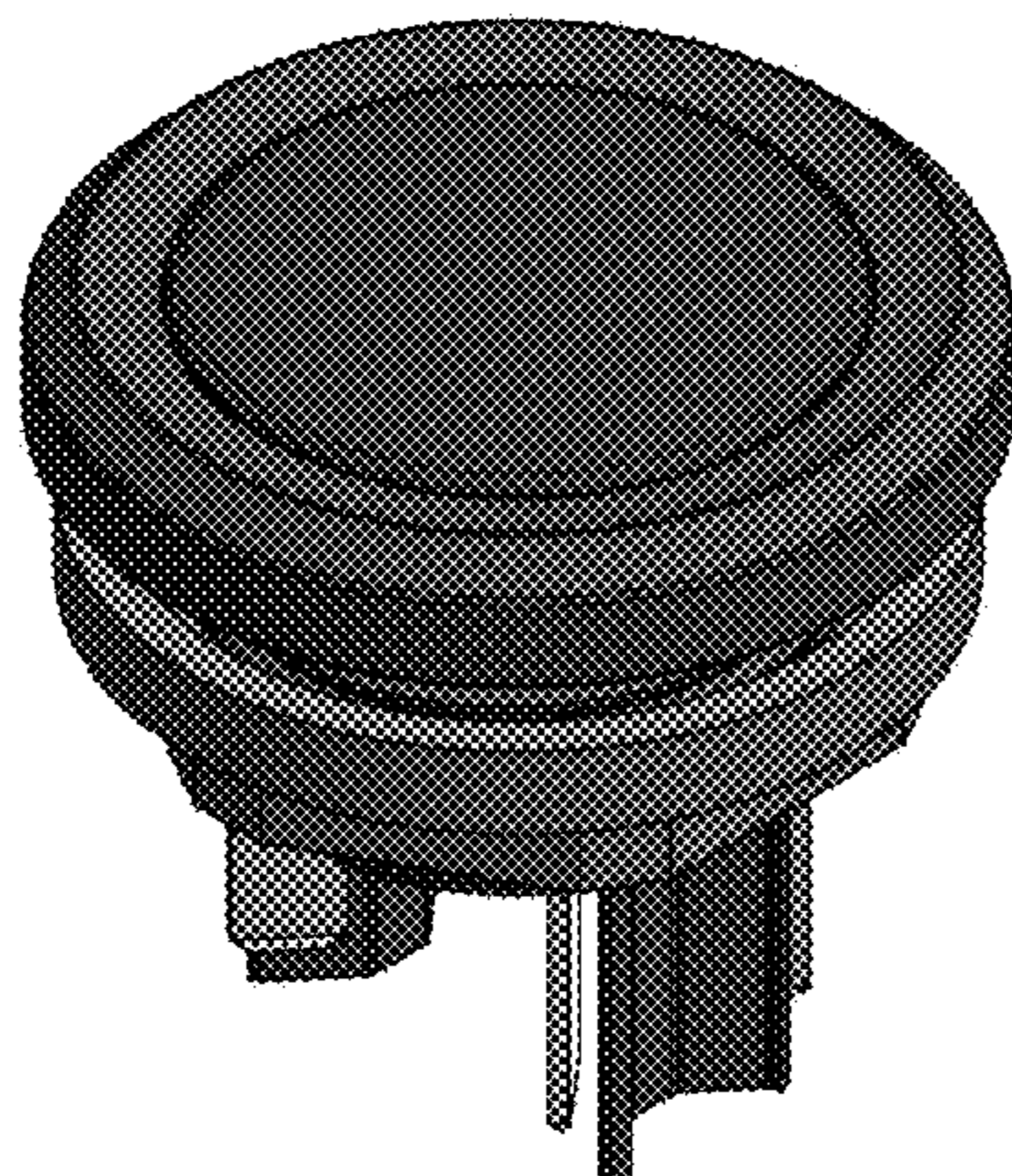
The ornamental design for a key button, as shown and described.

**DESCRIPTION**

The patent or application file contains at least one drawing executed in color. Copies of this patent or patent application publication with color drawing(s) will be provided by the Office upon request and payment of the necessary fee.

Fig. 1.1 is a perspective view;  
Fig. 1.2 is a front view;  
Fig. 1.3 is a bottom view;  
Fig. 1.4 is right-side view;  
Fig. 1.5 is top view;  
Fig. 1.6 is a rear view; and  
Fig. 1.7 is a left-side view.  
Fig. 2.1 is a perspective view;  
Fig. 2.2 is a front view;  
Fig. 2.3 is a bottom view;  
Fig. 2.4 is right-side view;  
Fig. 2.5 is top view;  
Fig. 2.6 is a rear view; and  
Fig. 2.7 is a left-side view.

**1 Claim, 14 Drawing Sheets**  
**(6 of 14 Drawing Sheet(s) Filed in Color)**



(56)

**References Cited**

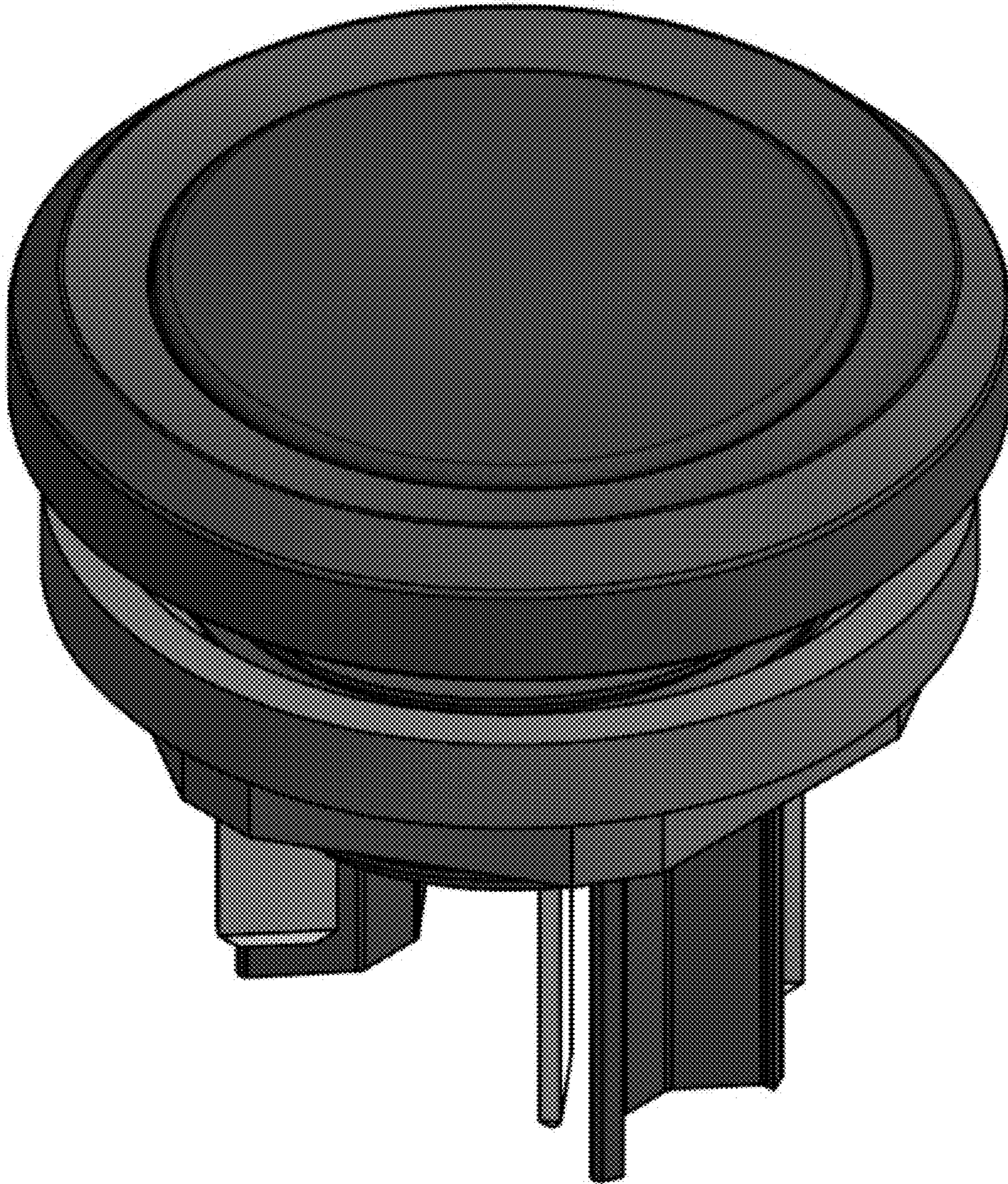
U.S. PATENT DOCUMENTS

2013/0241579 A1\* 9/2013 Takahashi ..... H03K 17/9622  
324/663

\* cited by examiner

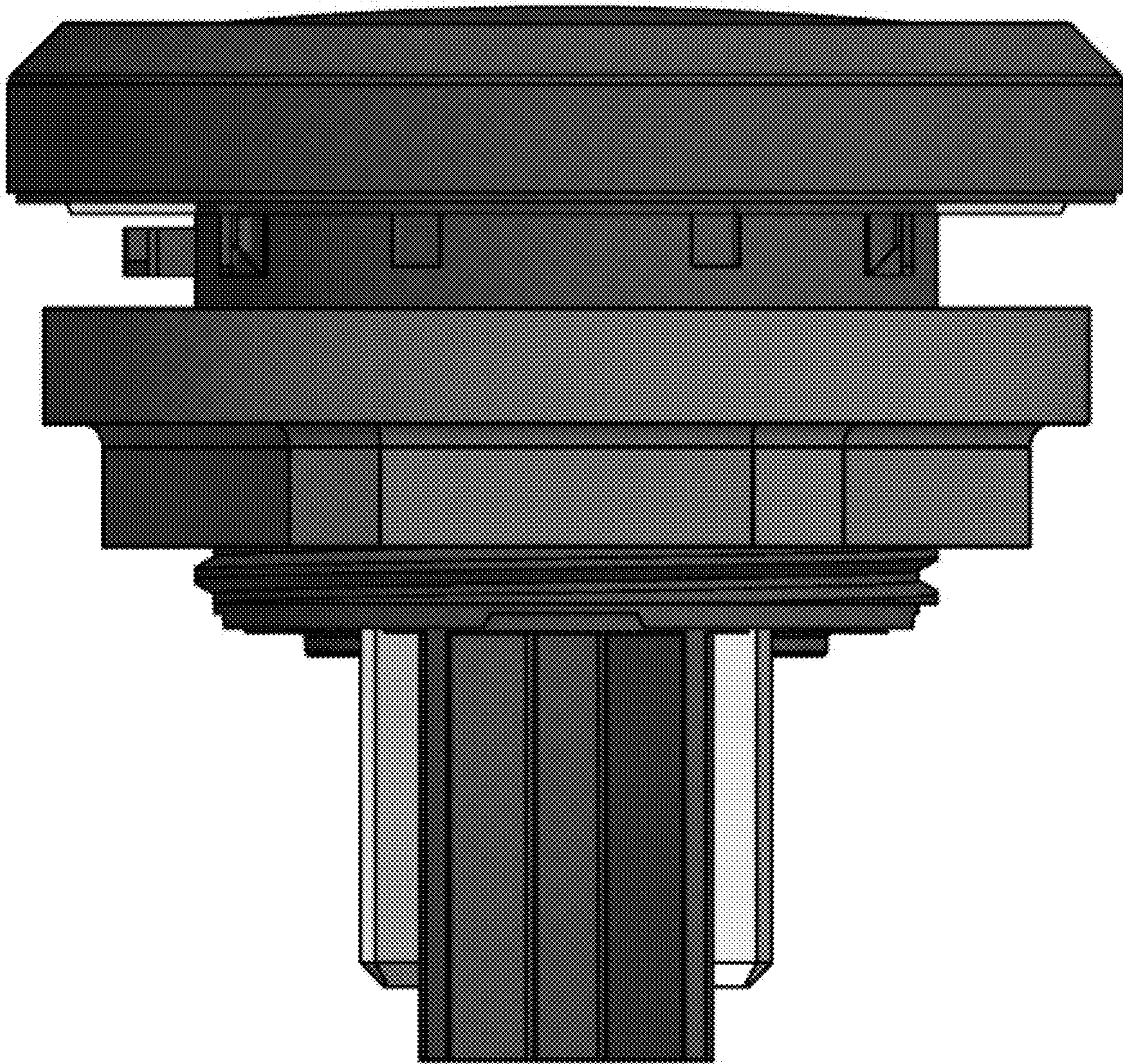


1.1



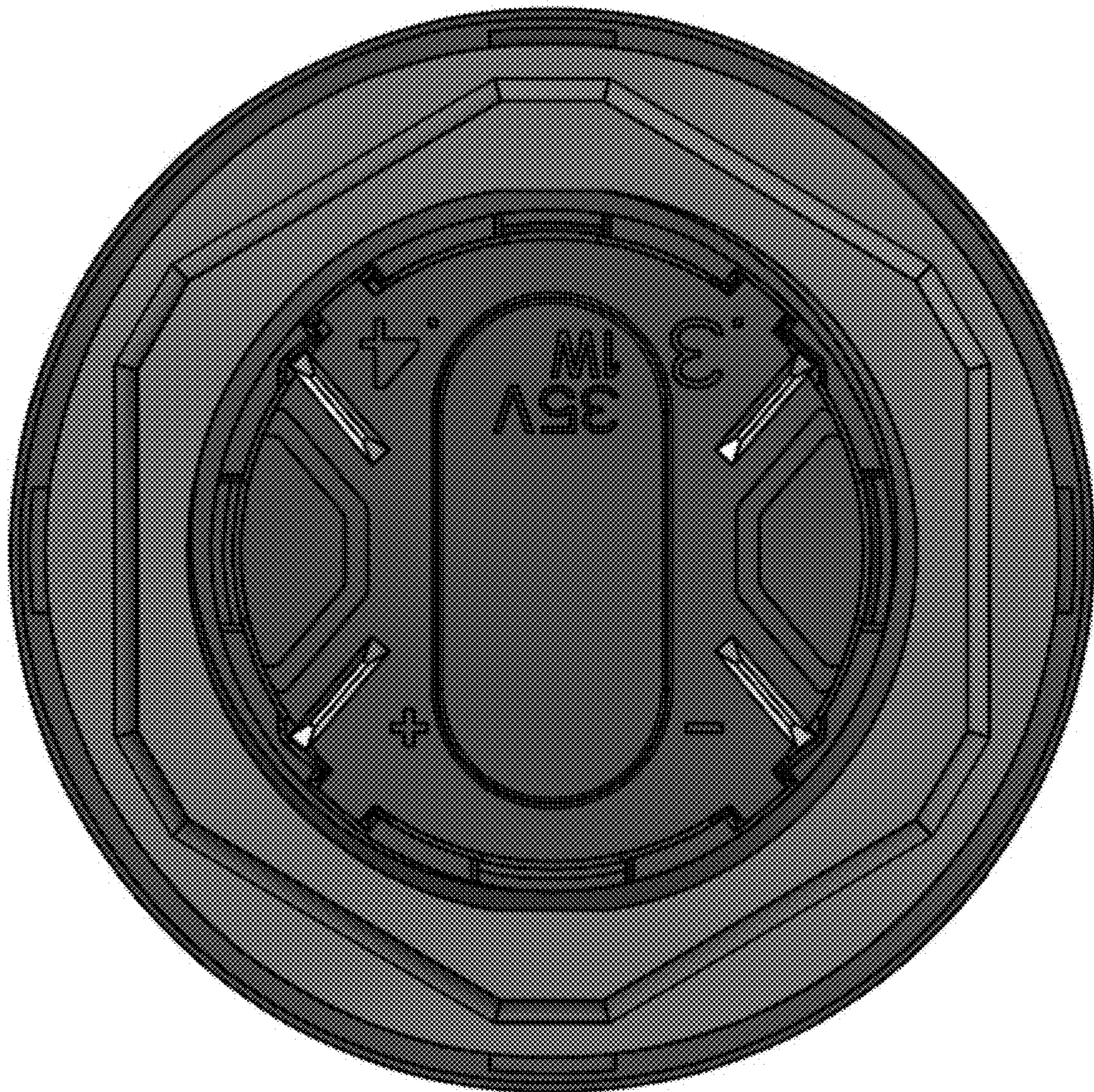


1.2



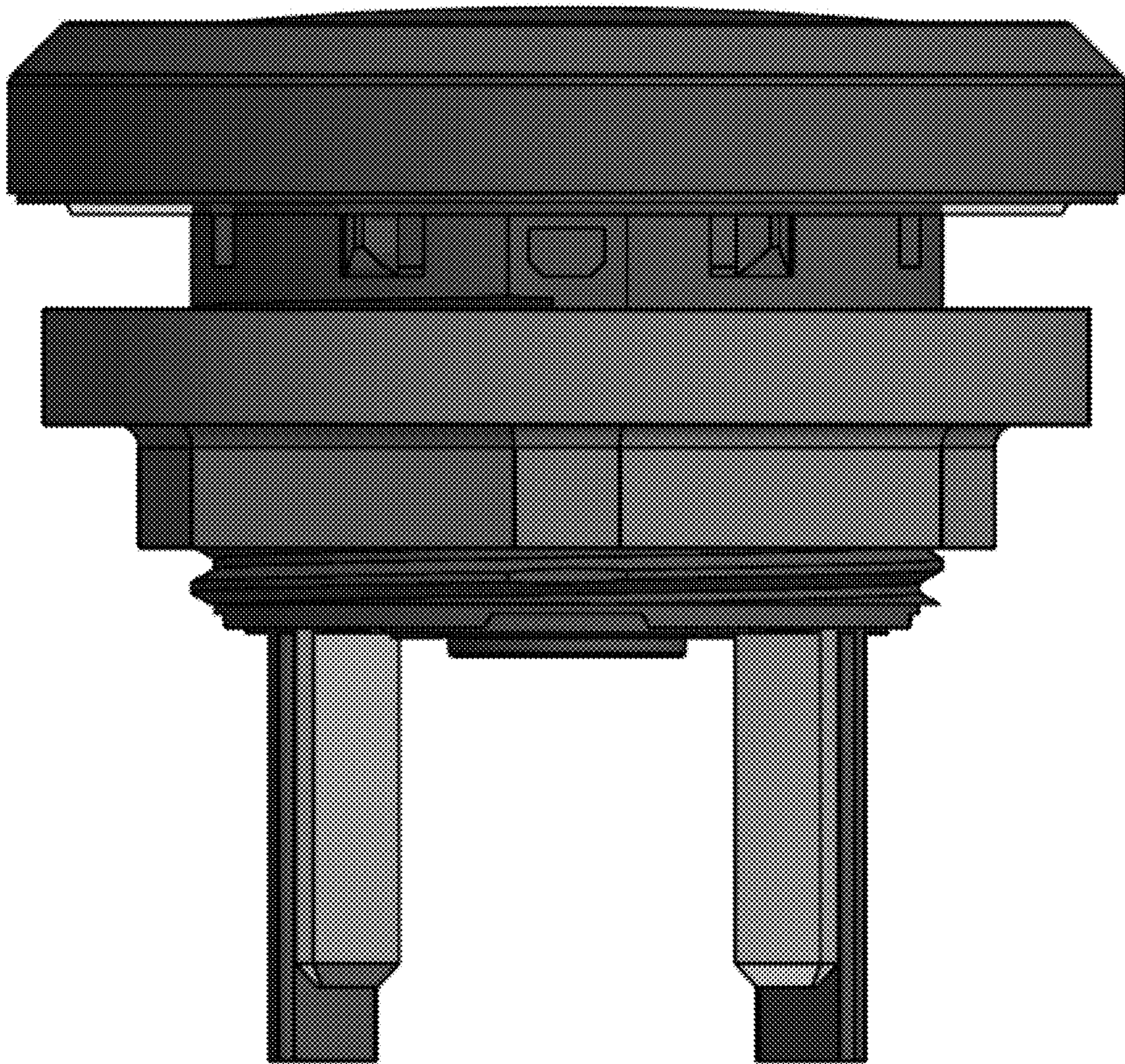


1.3



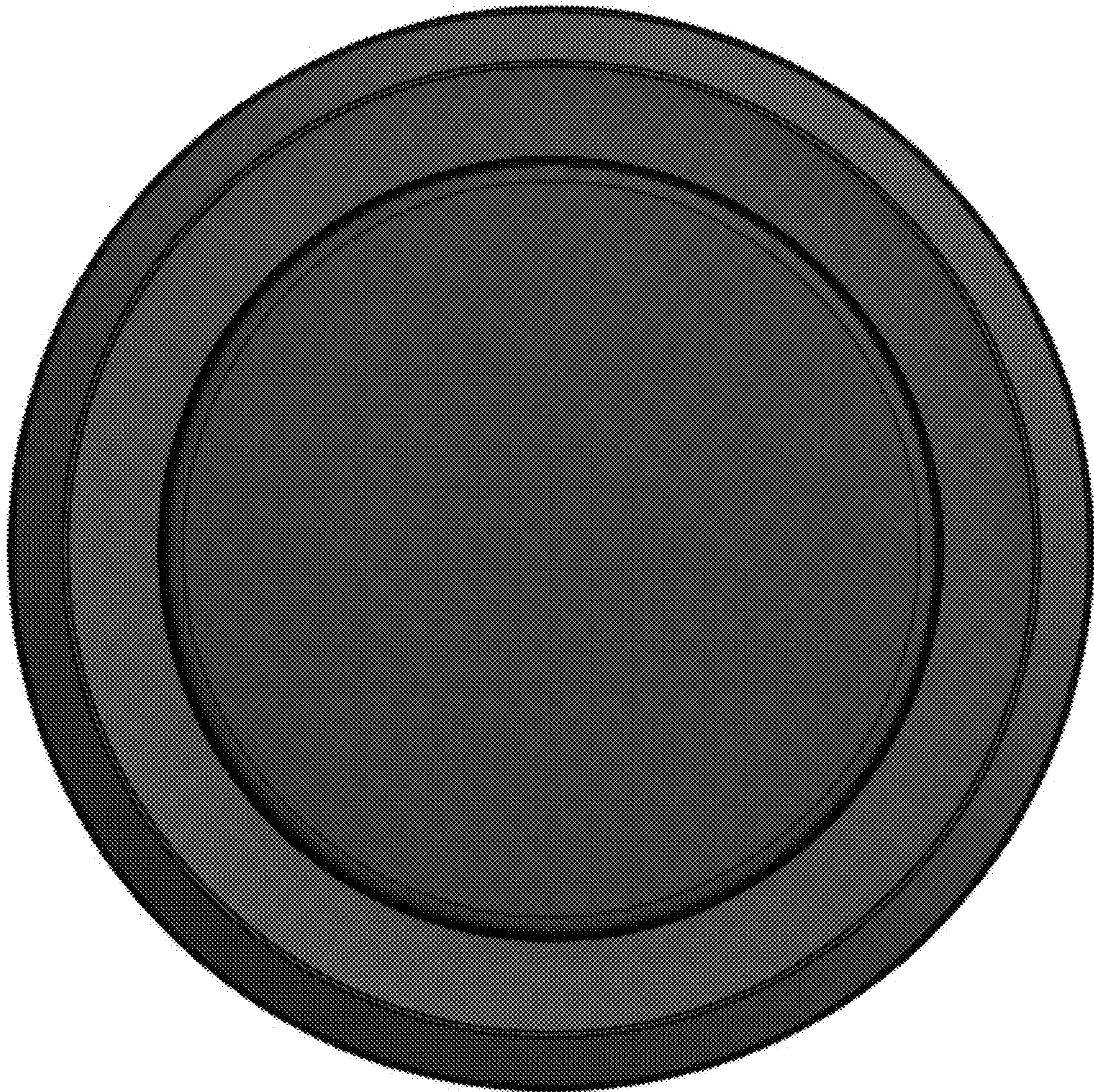


1.4



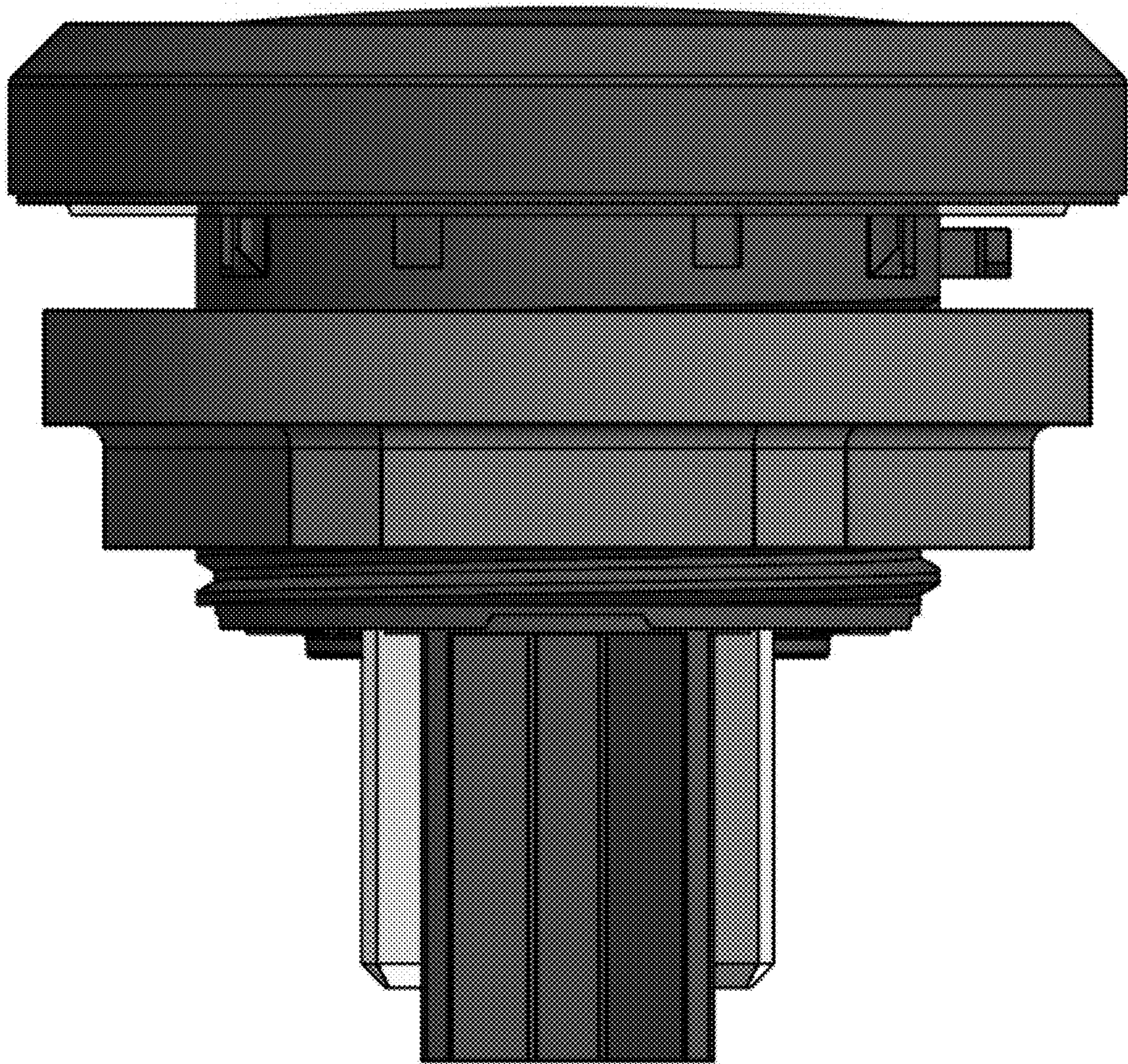


1.5



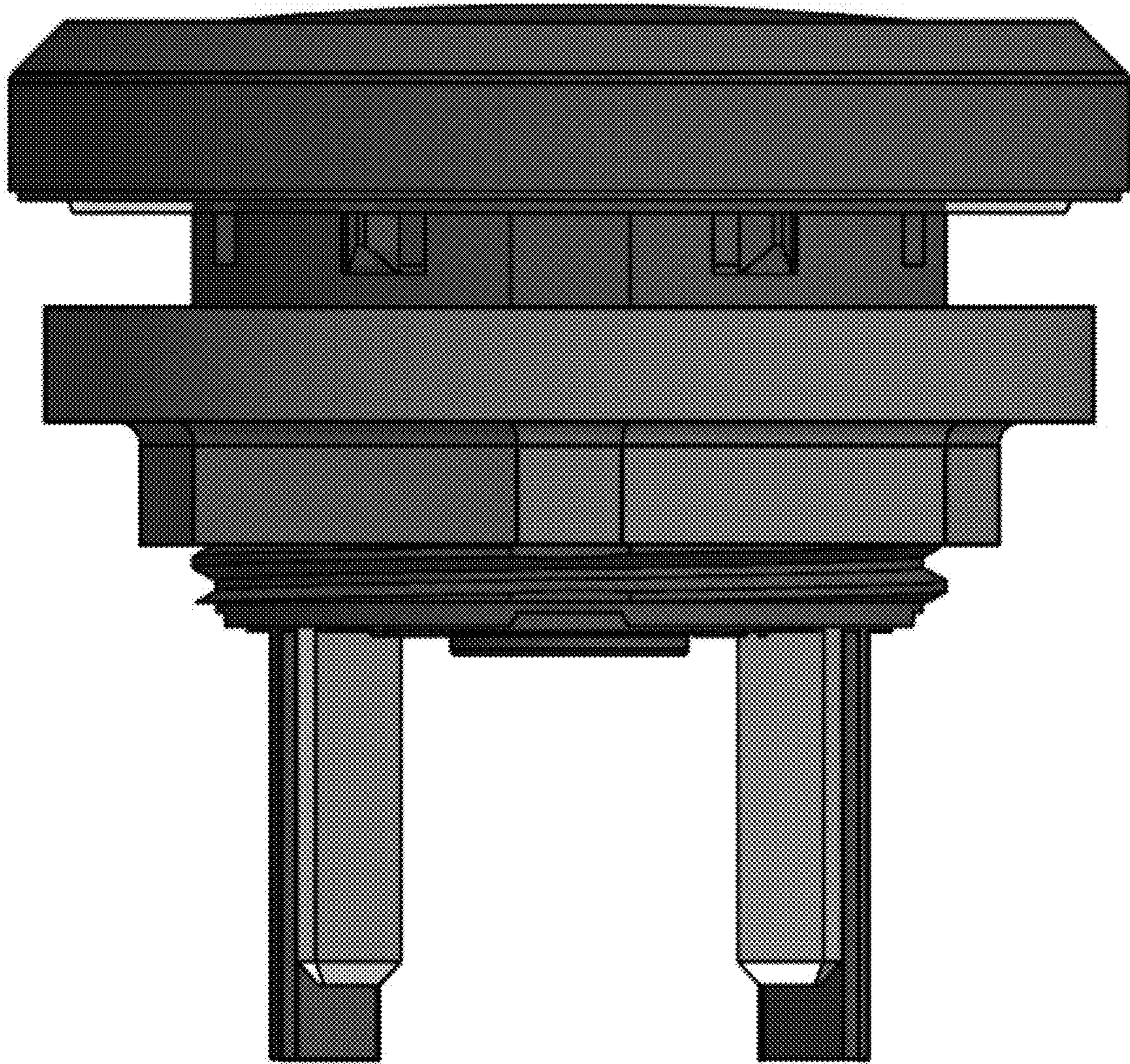


1.6



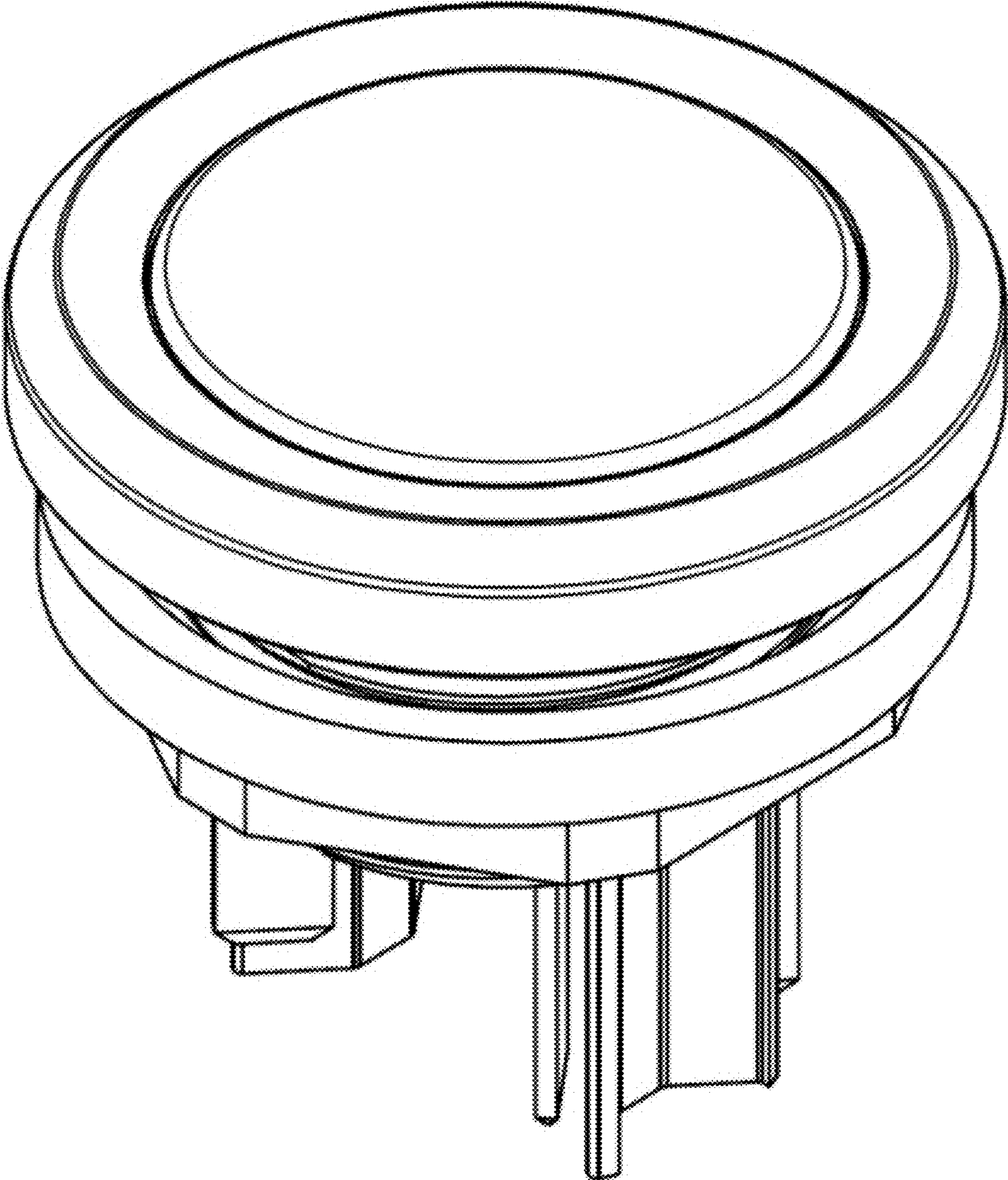


1.7



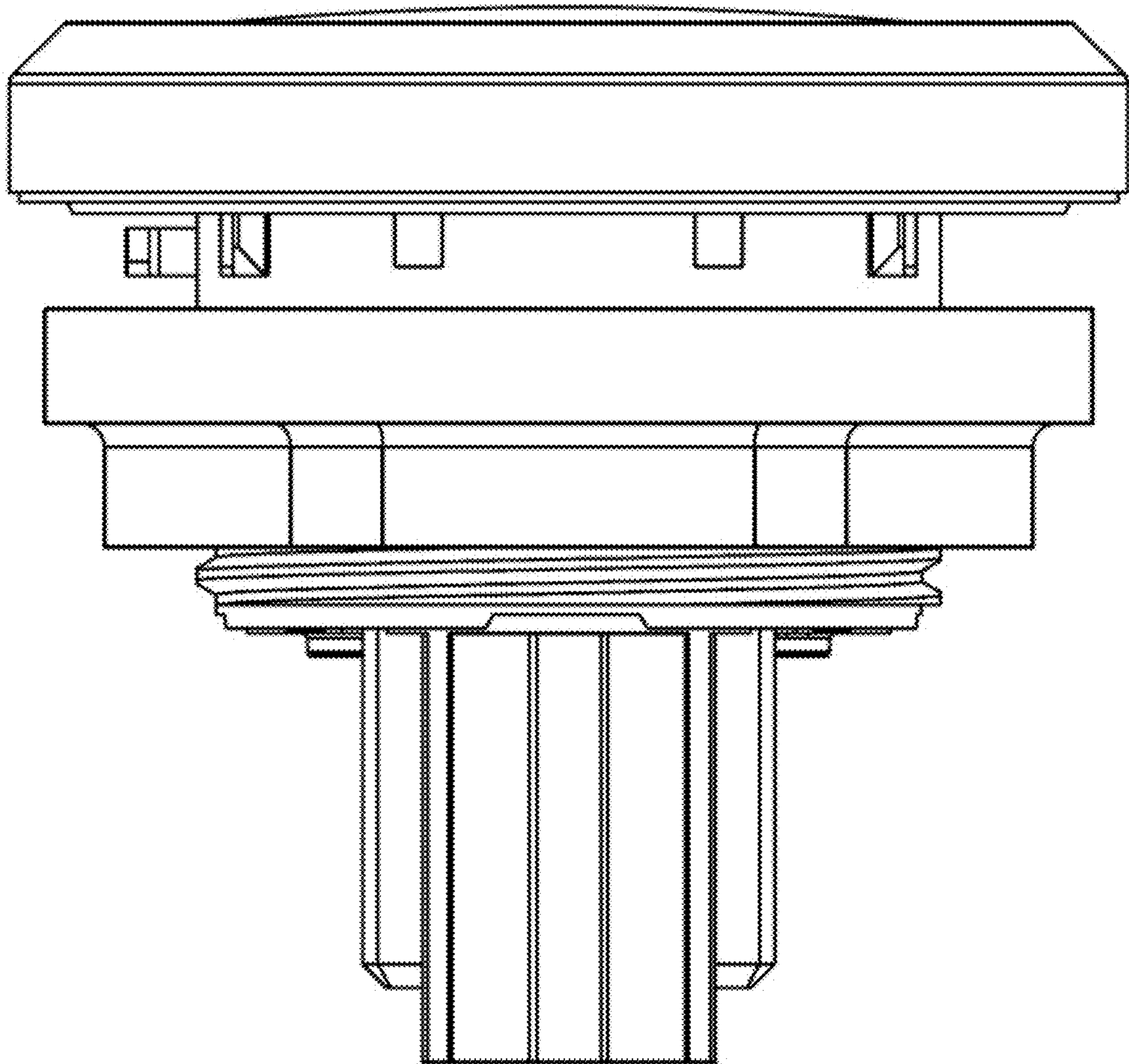


2.1



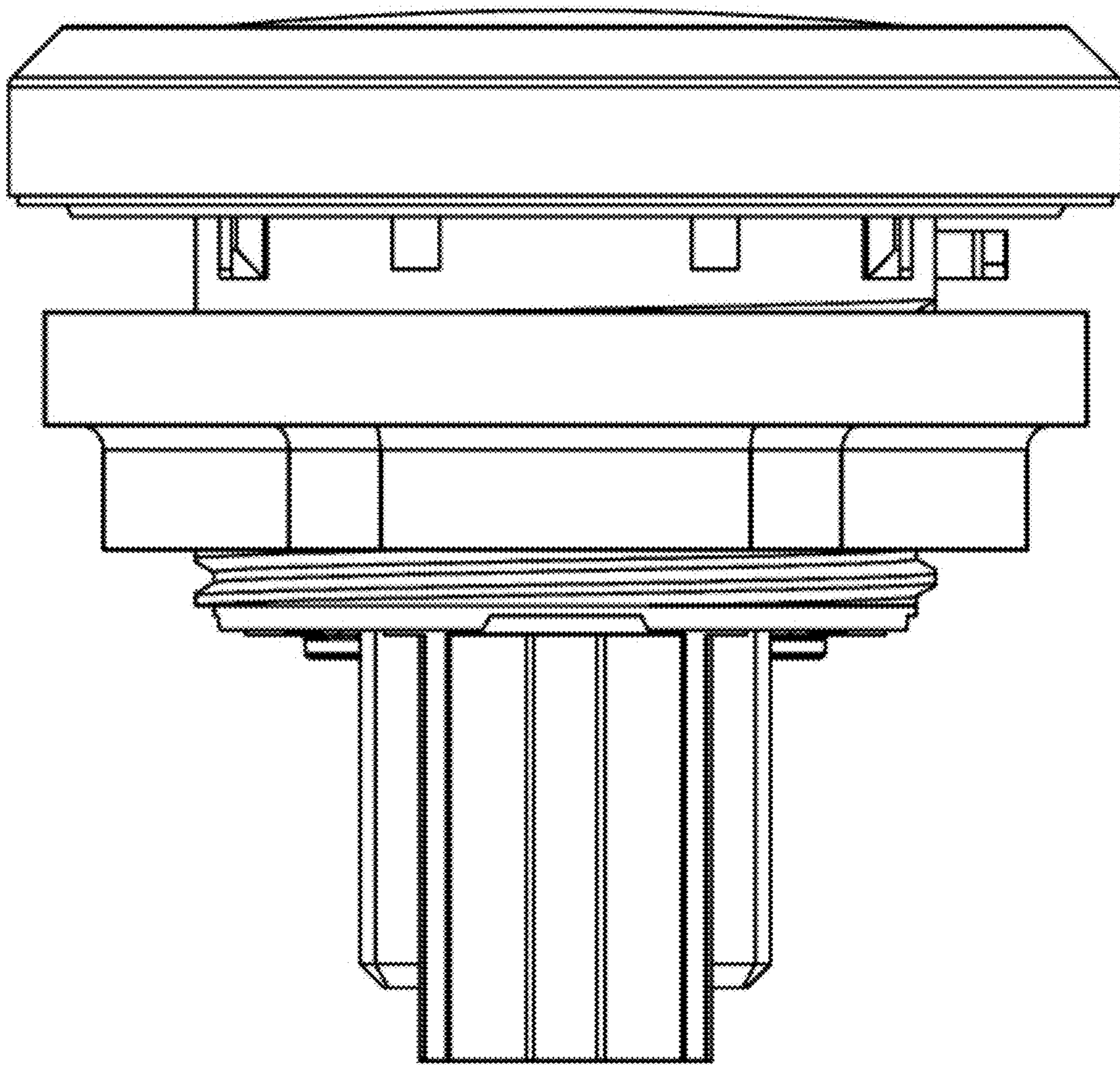


2.2



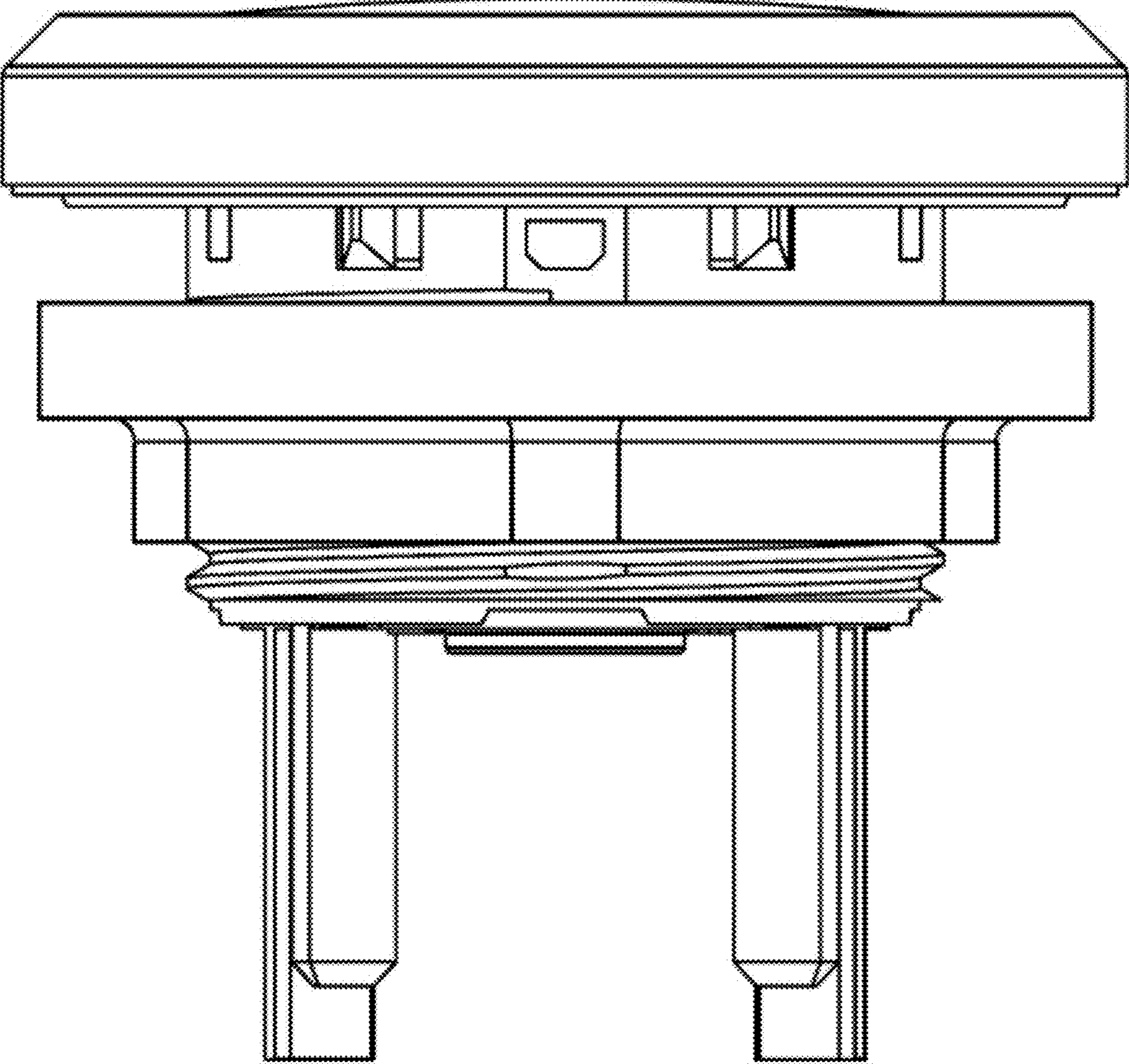


2.3



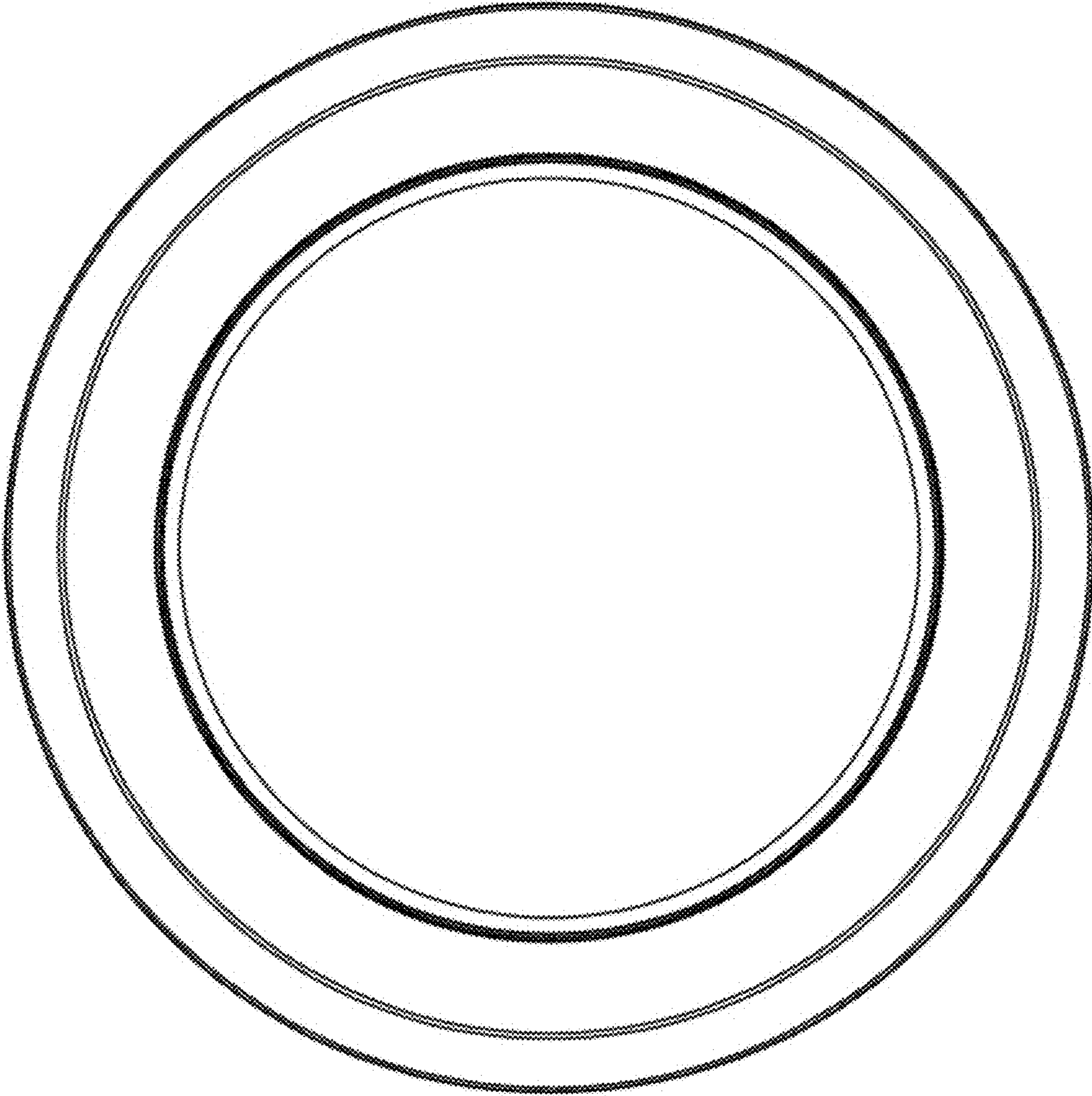


2.4



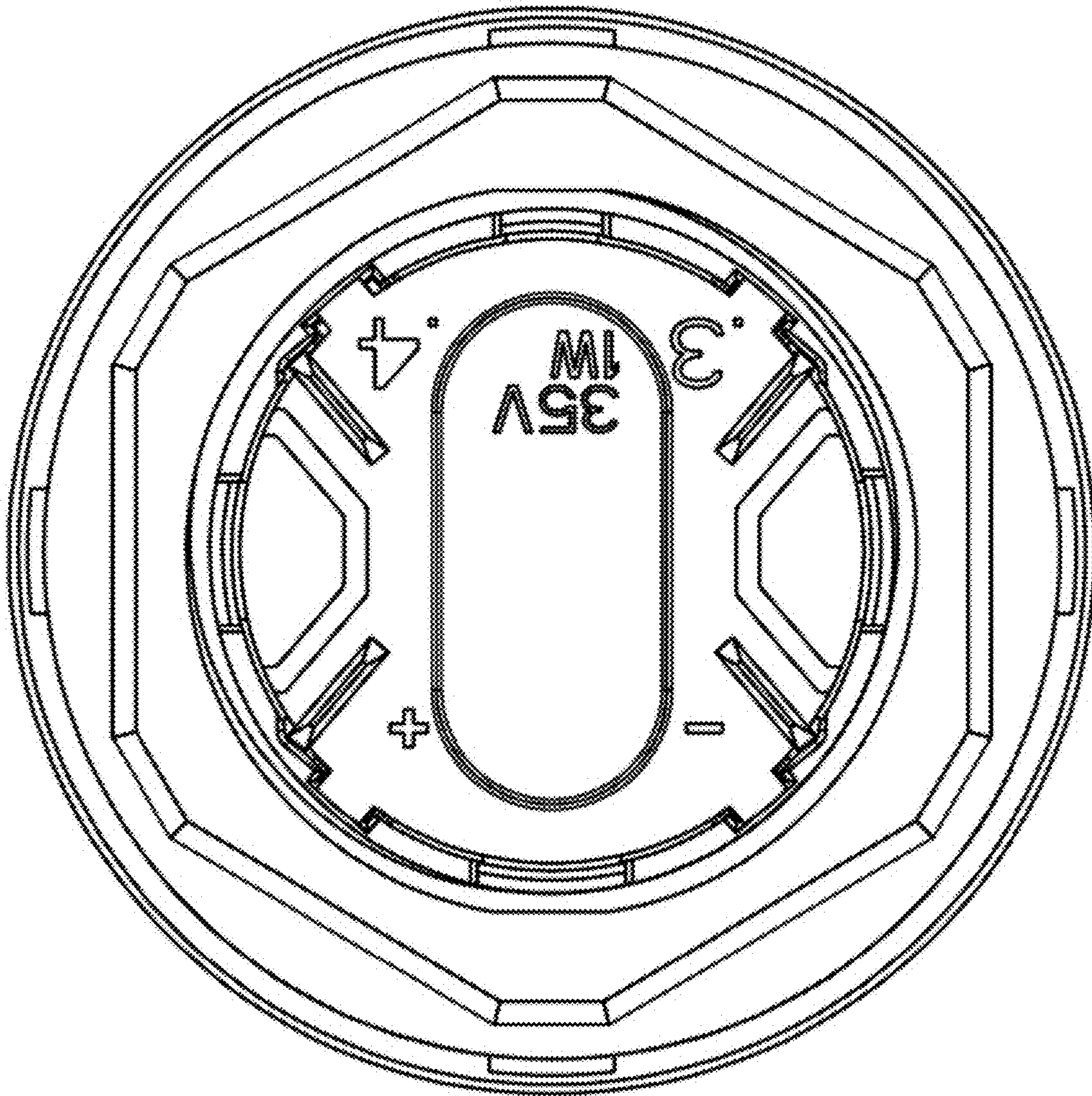


2.5





2.6





2.7

