



US00D852147S

(12) **United States Design Patent**
Chen

(10) **Patent No.:** **US D852,147 S**

(45) **Date of Patent:** **** Jun. 25, 2019**

(54) **CONTROLLER**

(71) Applicant: **TIMOTION TECHNOLOGY CO., LTD.**, New Taipei (TW)

(72) Inventor: **Yi-Chun Chen**, New Taipei (TW)

(73) Assignee: **TIMOTION TECHNOLOGY CO., LTD.**, New Taipei (TW)

(**) Term: **15 Years**

(21) Appl. No.: **29/664,006**

(22) Filed: **Sep. 20, 2018**

(51) **LOC (11) Cl.** **13-03**

(52) **U.S. Cl.**
USPC **D13/162**

(58) **Field of Classification Search**
USPC D13/139.4, 158, 162, 164; D14/305
CPC .. H01H 3/00; H01H 3/02; H01H 3/04; H01H 3/06; H01H 9/02; H01H 13/02; H01H 13/04; H01H 13/10; H01H 13/86; H01H 21/22; H01H 21/24; A47C 1/0345; A47C 1/035; A47B 21/02; A47B 9/00; A61G 13/02; A61G 7/018; G05B 15/02
See application file for complete search history.

(56) **References Cited**

U.S. PATENT DOCUMENTS

4,440,096	A *	4/1984	Rice	A47B 9/04 108/147
6,595,144	B1 *	7/2003	Doyle	A47B 9/00 108/147
8,312,578	B2 *	11/2012	L'Hegarat	A61G 13/02 180/65.1
D678,217	S *	3/2013	Helm	D13/162

D678,847	S *	3/2013	Helm	D13/162
D689,825	S *	9/2013	Wenji	D13/162
D740,763	S *	10/2015	Wenji	D13/162
D820,221	S *	6/2018	Yang	D13/164
10,028,576	B1 *	7/2018	Yao	A47B 21/02
D825,493	S *	8/2018	Chen	D13/164
D833,981	S *	11/2018	Seal	D13/162
2008/0245279	A1 *	10/2008	Pan	A47B 9/00 108/144.11
2013/0199419	A1 *	8/2013	Hjelm	A47B 9/00 108/20
2015/0246404	A1 *	9/2015	Teraoka	B23K 3/08 219/129
2016/0309889	A1 *	10/2016	Lin	A47B 9/00

* cited by examiner

Primary Examiner — Selina Sikder

(74) *Attorney, Agent, or Firm* — Chun-Ming Shih; HDLS IPR Services

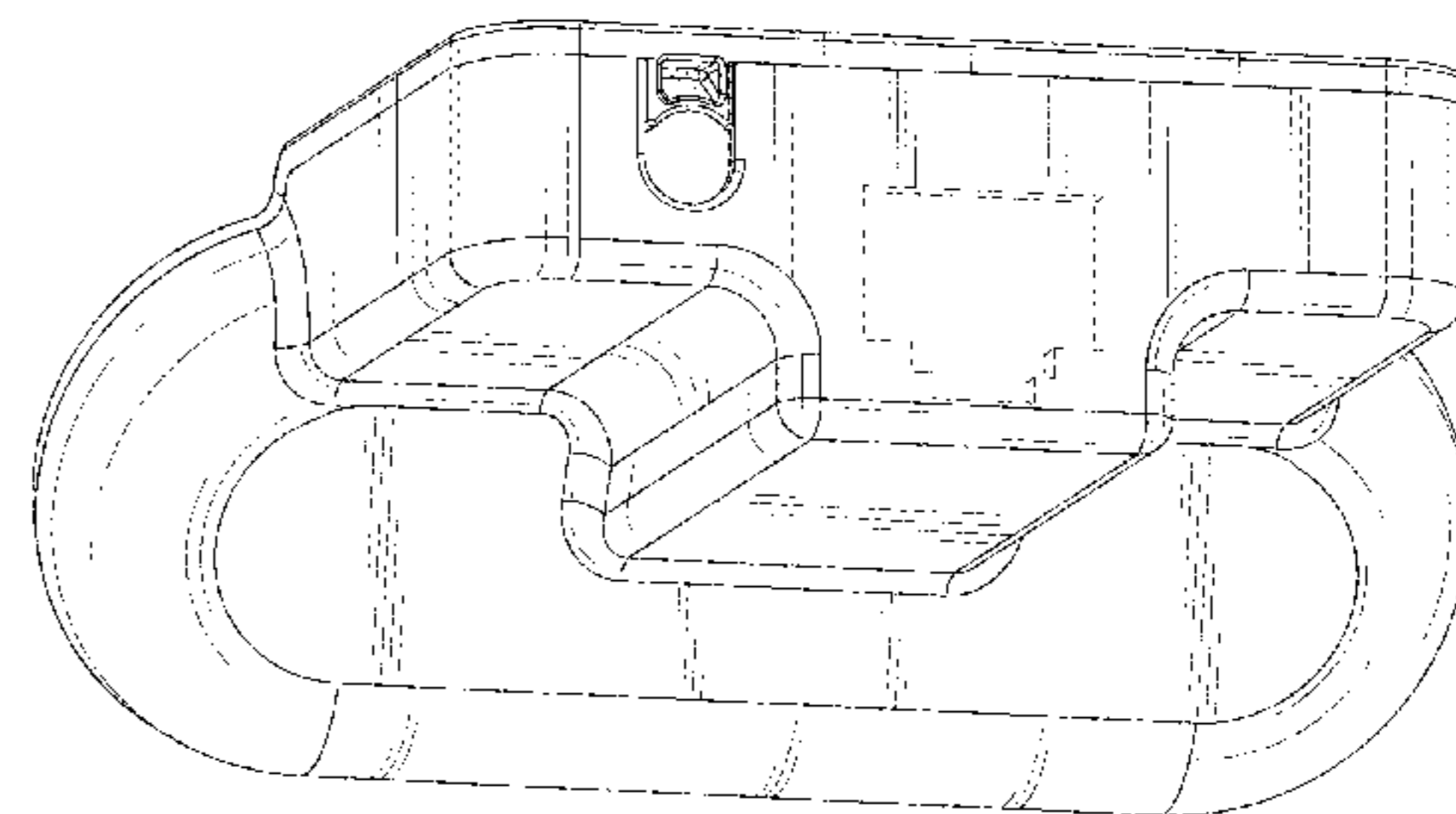
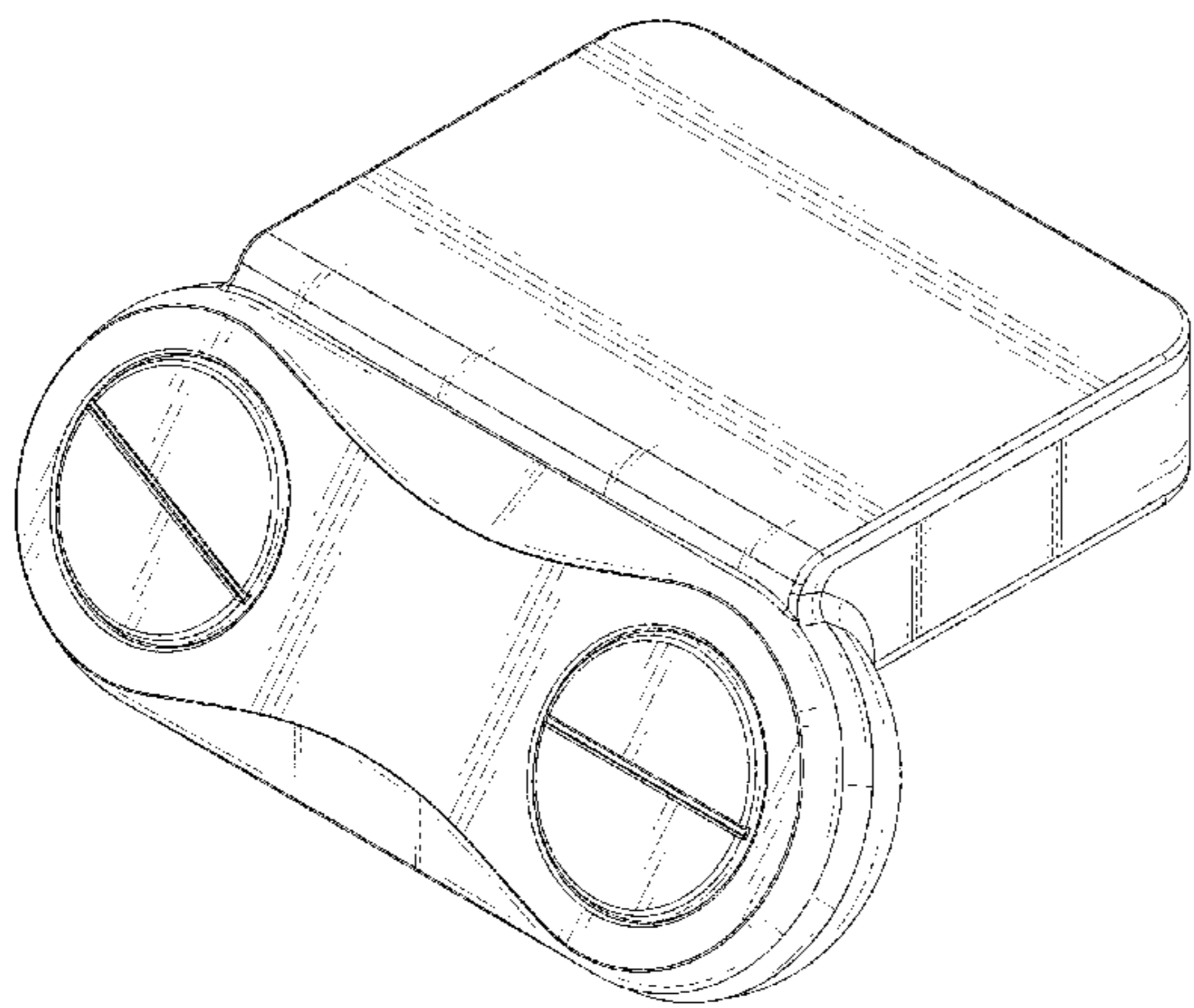
(57) **CLAIM**

The ornamental design for a controller, as shown and described.

DESCRIPTION

FIG. 1 is a perspective view of a controller showing my new design;
FIG. 2 is a front view thereof;
FIG. 3 is a rear view thereof;
FIG. 4 is a left side view thereof;
FIG. 5 is a right side view thereof;
FIG. 6 is a top view thereof;
FIG. 7 is a bottom view thereof; and,
FIG. 8 is a second perspective view showing the controller. The broken lines shown represent unclaimed subject matter and form no part of the claimed design.

1 Claim, 8 Drawing Sheets



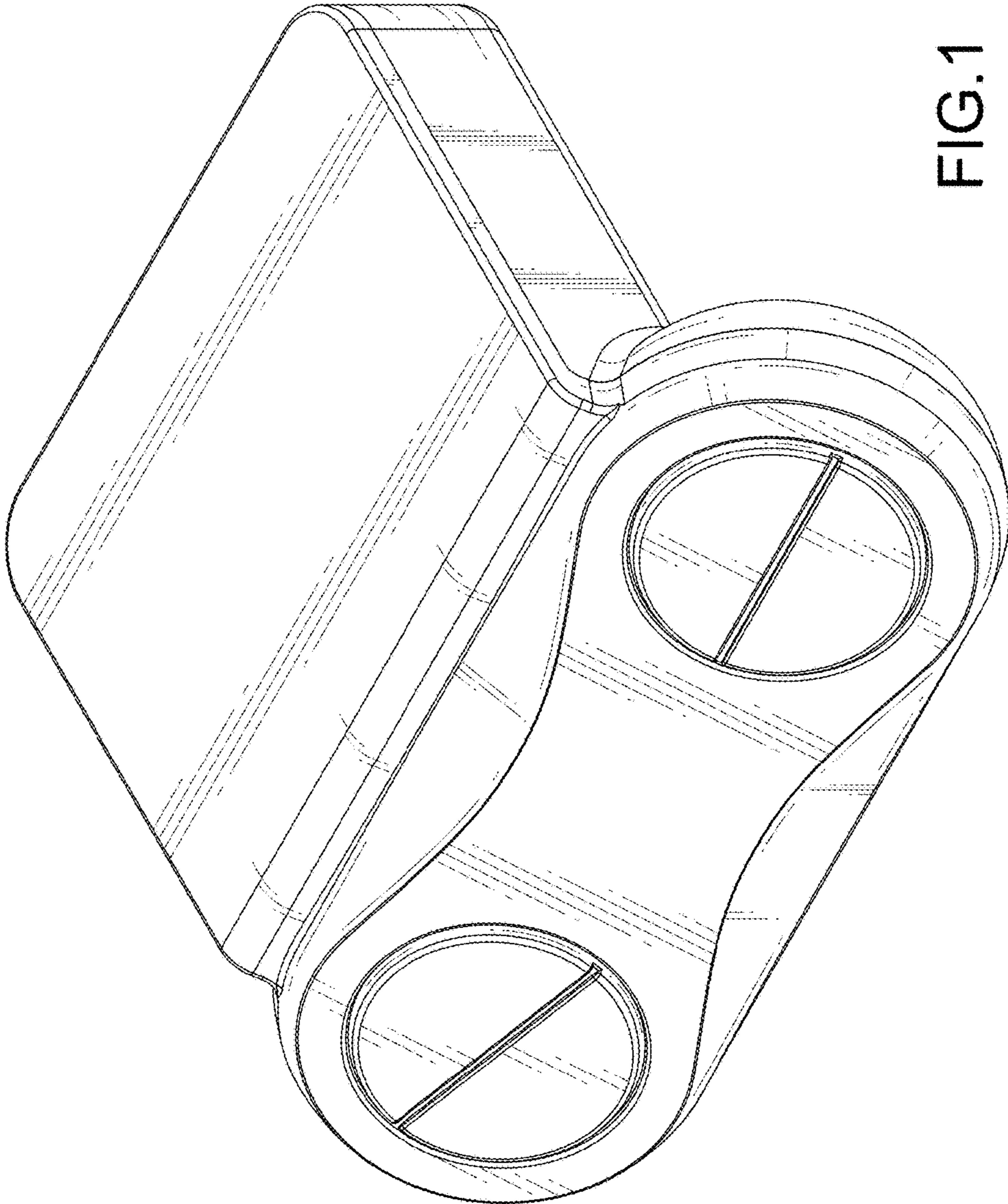


FIG. 1

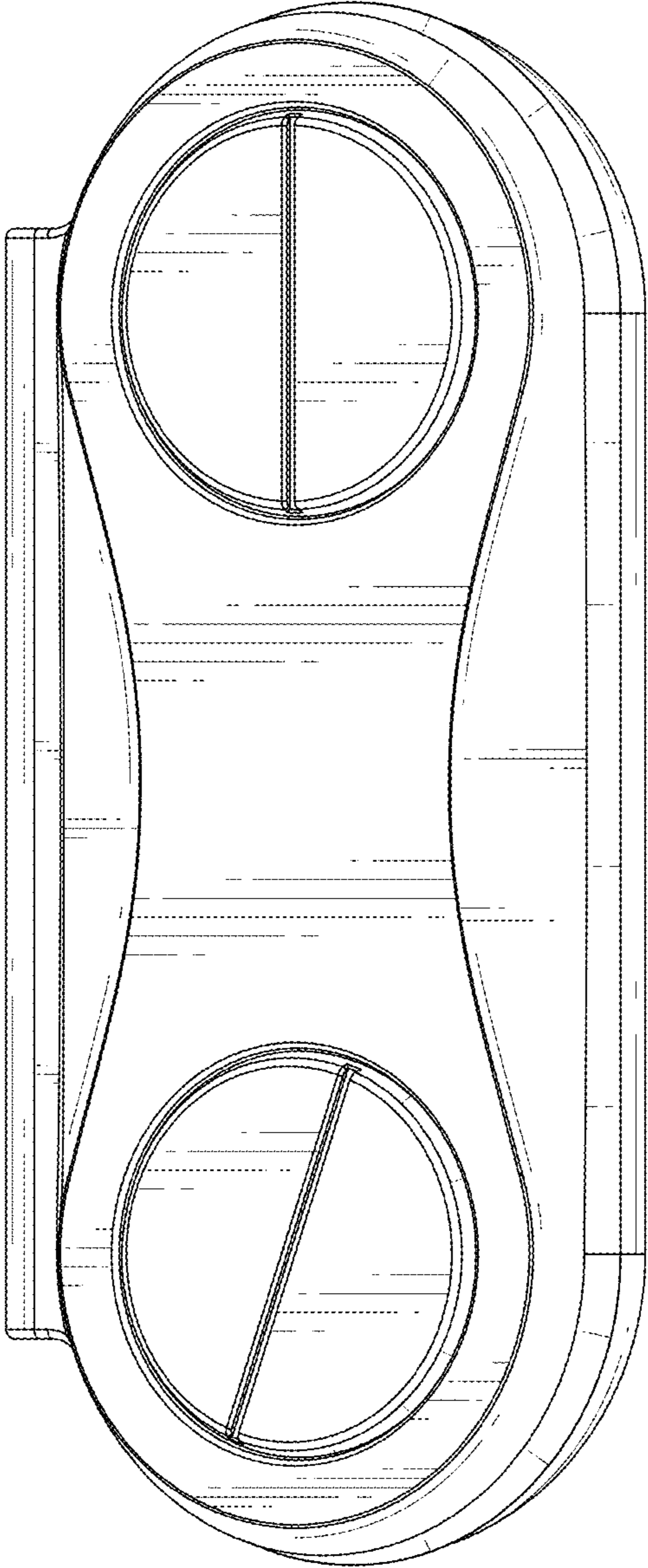


FIG.2

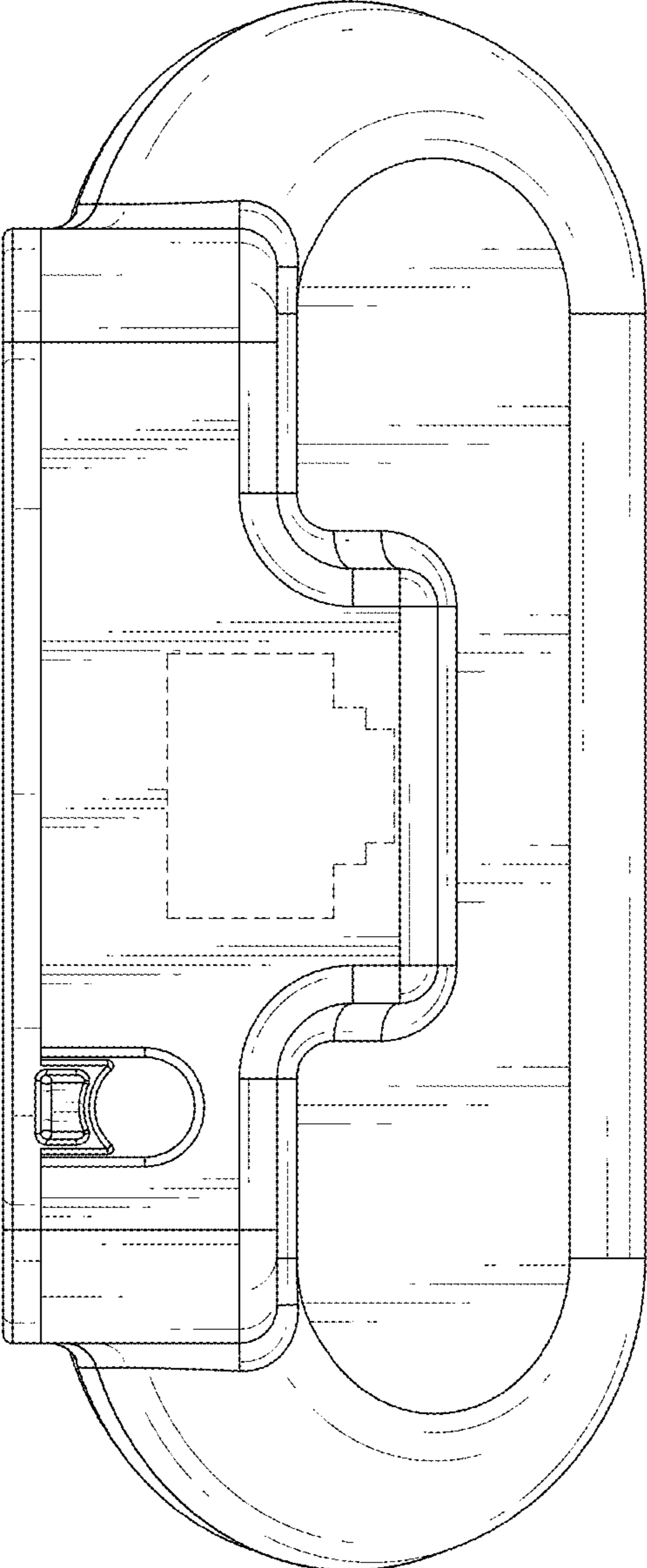


FIG. 3

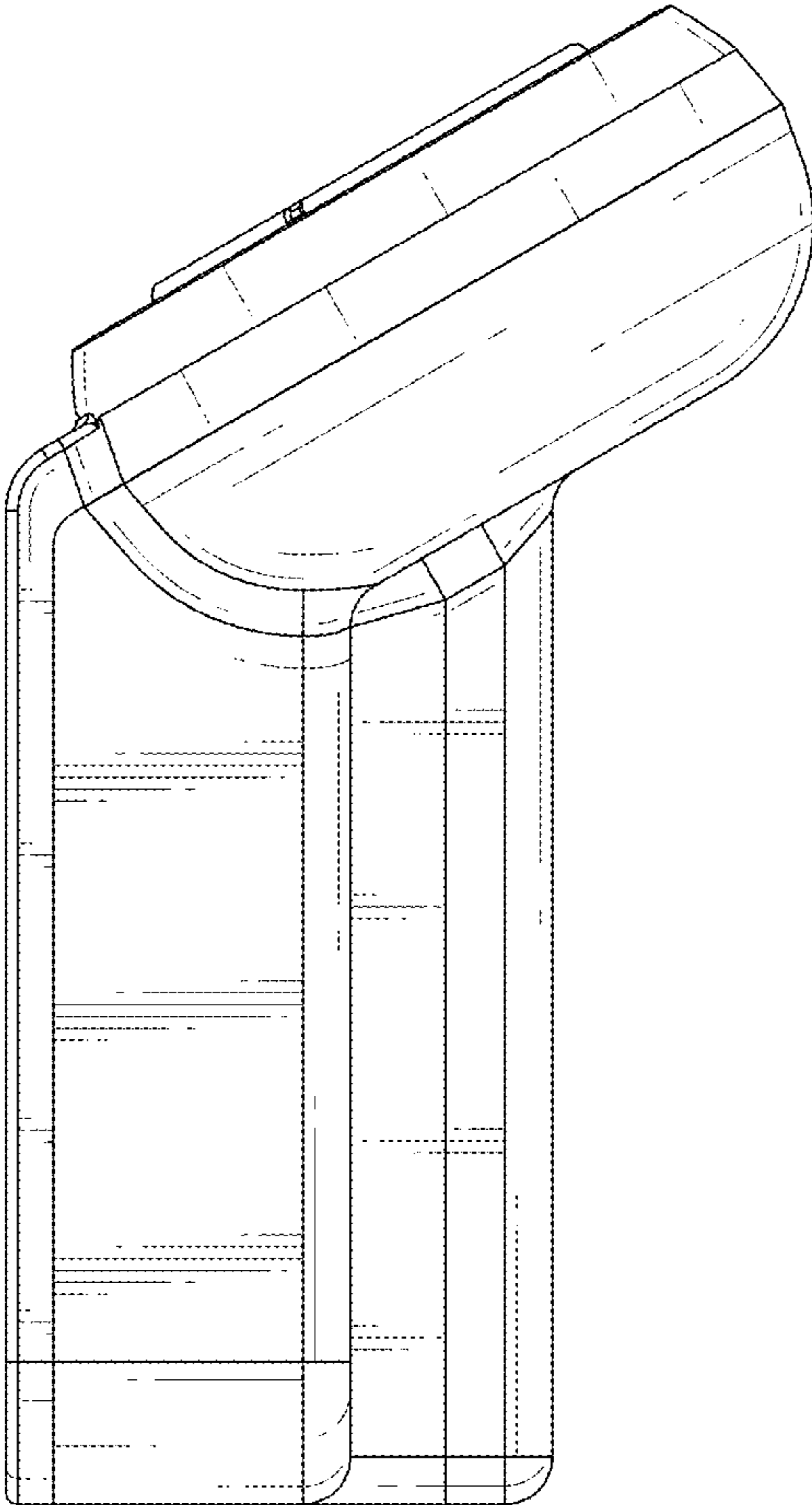


FIG.4

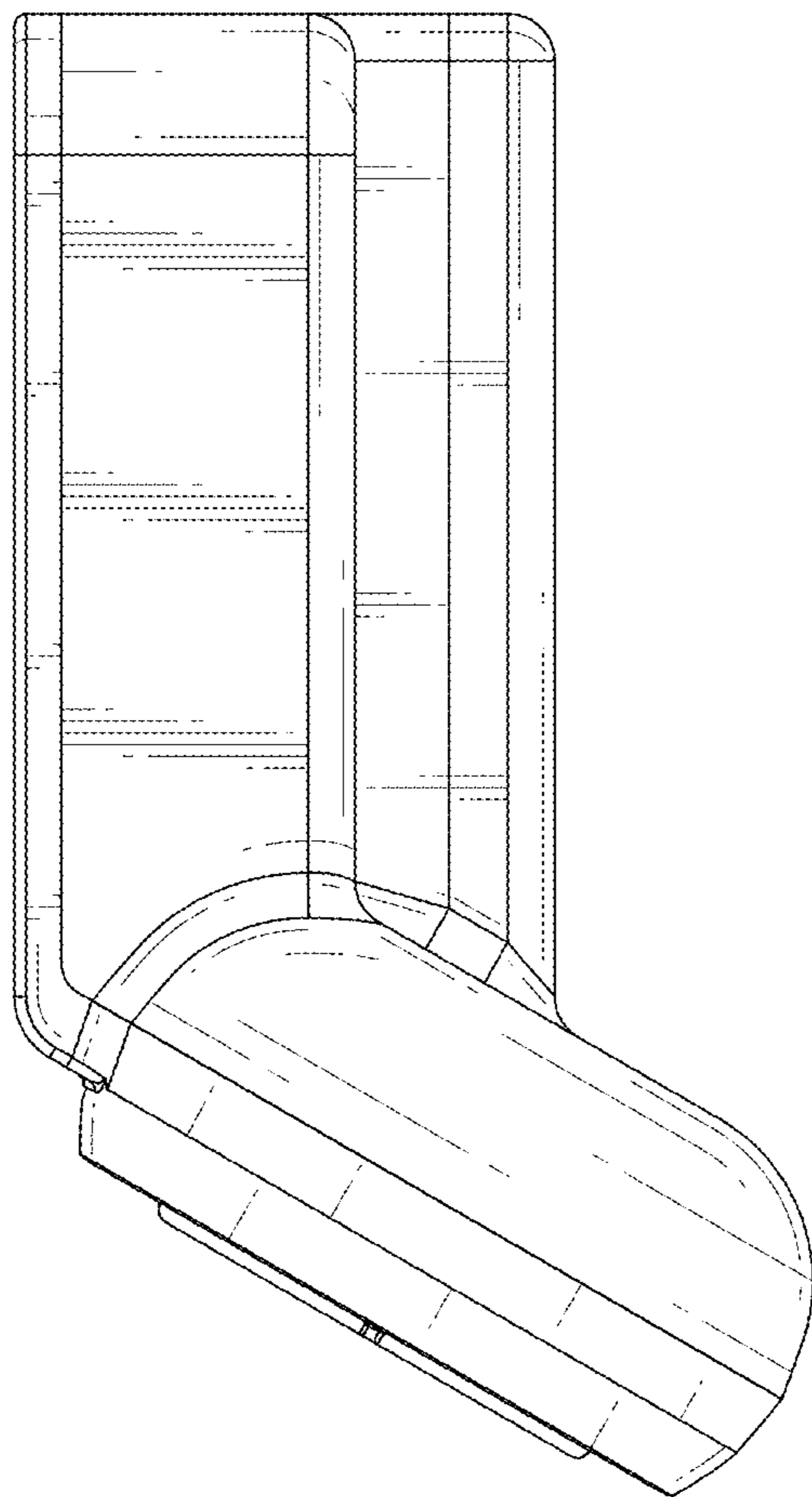


FIG.5

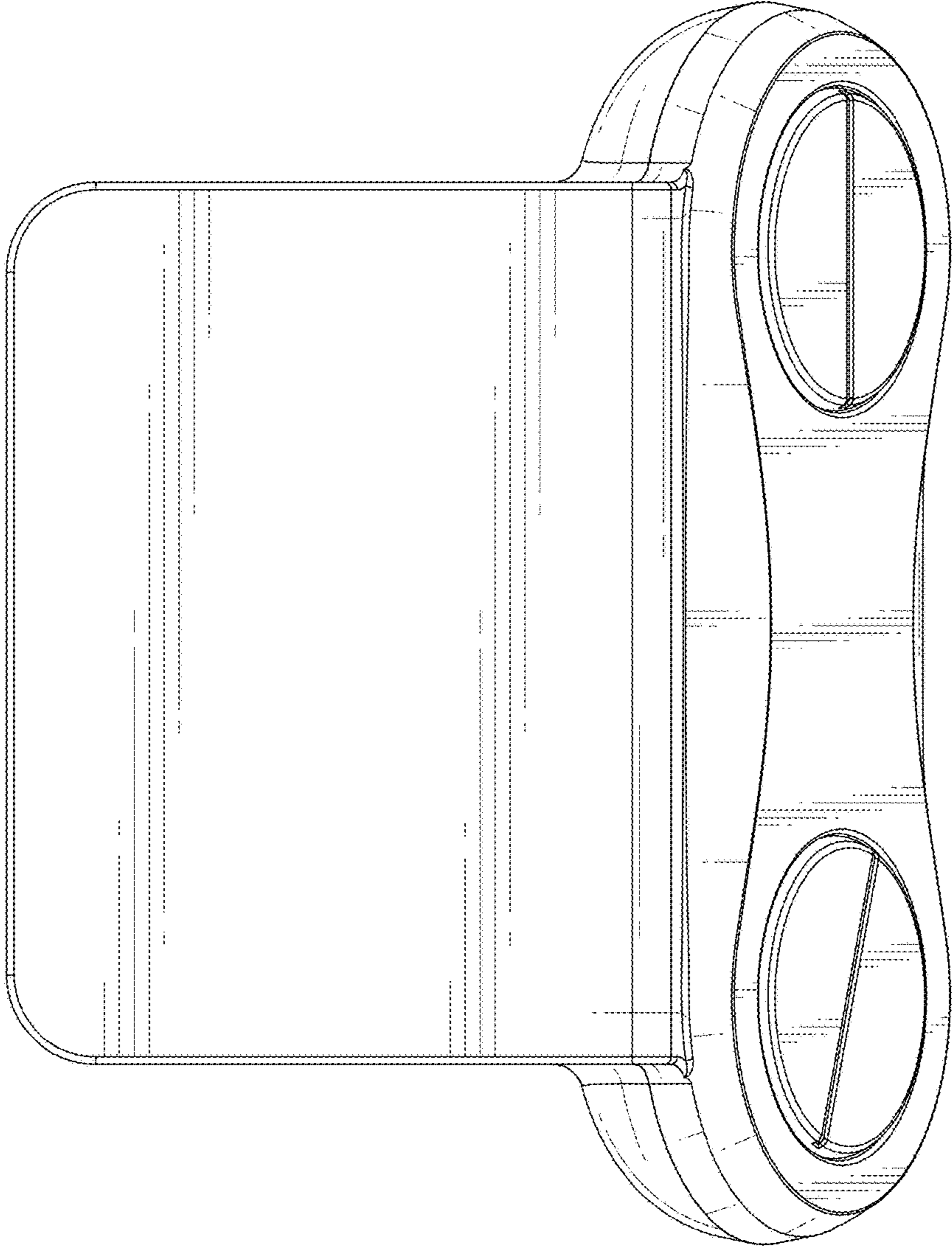


FIG. 6

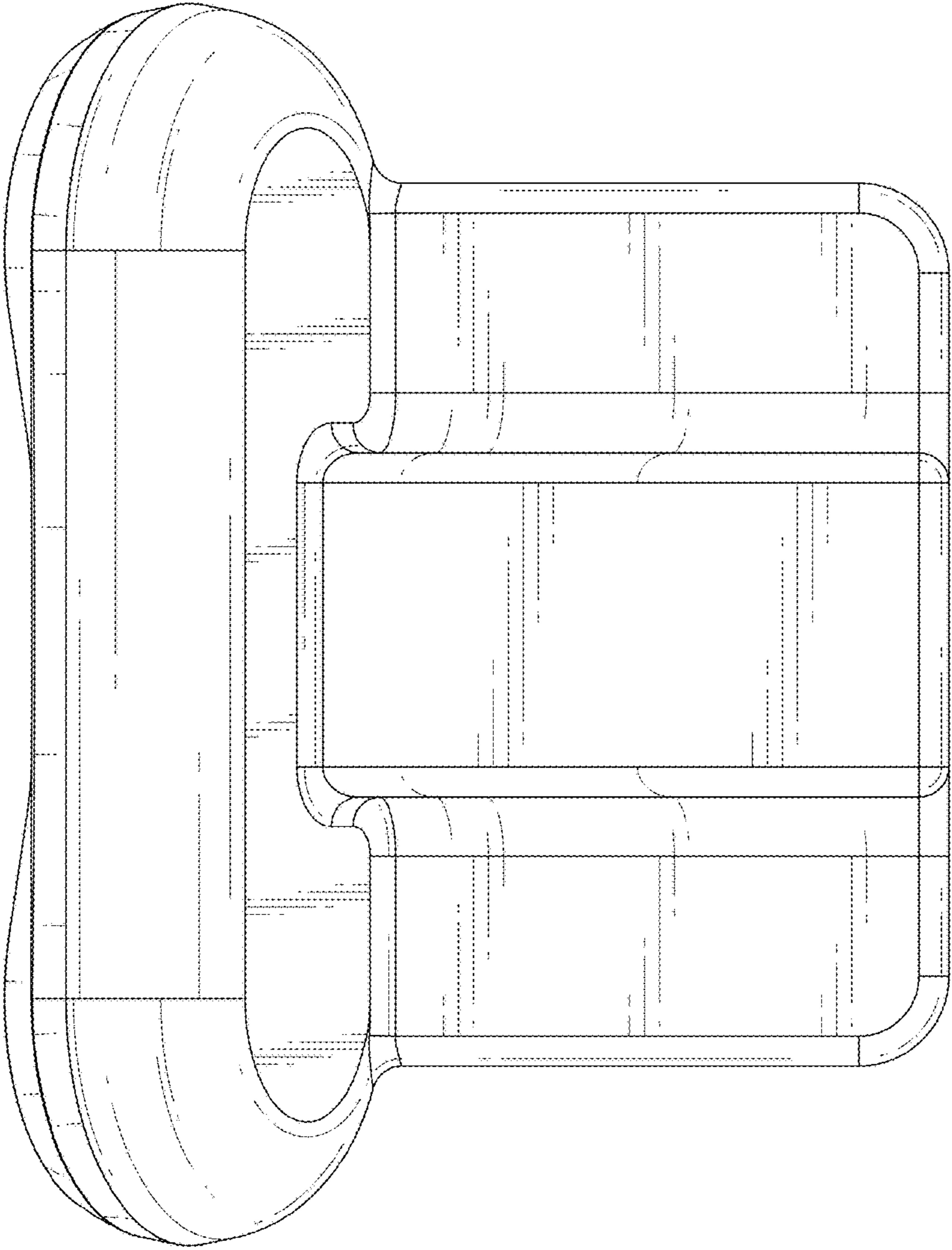


FIG.7

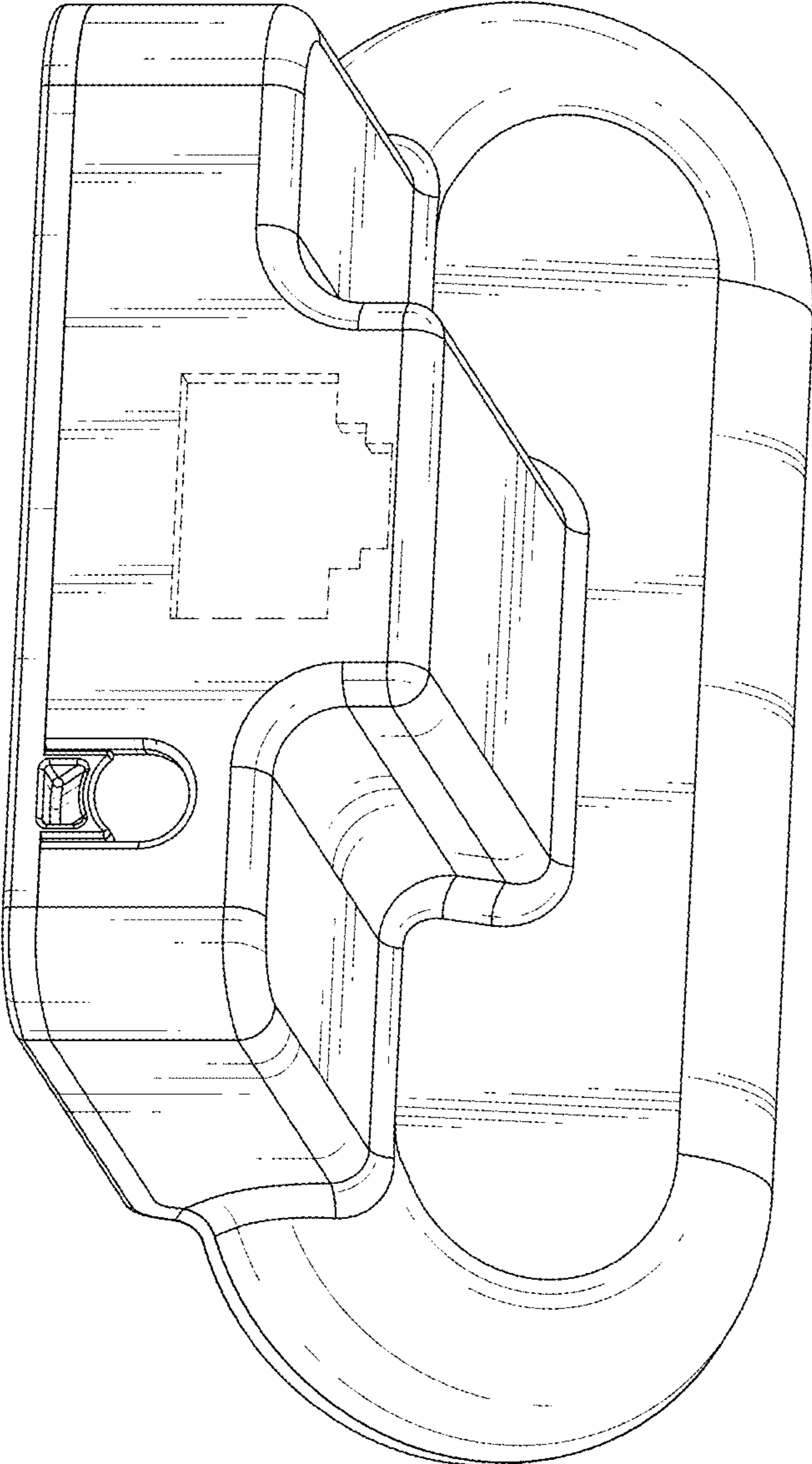


FIG. 8