



US00D852145S

(12) **United States Design Patent** (10) **Patent No.:** **US D852,145 S**
Amano (45) **Date of Patent:** **** Jun. 25, 2019**

(54) **SWITCH**

(71) Applicants: **CITIZEN ELECTRONICS CO., LTD.**, Yamanashi-ken (JP); **CITIZEN WATCH CO., LTD.**, Tokyo (JP)

(72) Inventor: **Kaori Amano**, Yamanashi-ken (JP)

(73) Assignees: **CITIZEN ELECTRONICS CO., LTD.**, Yamanashi-Ken (JP); **CITIZEN WATCH CO., LTD.**, Tokyo (JP)

(**) Term: **15 Years**

(21) Appl. No.: **29/630,309**

(22) Filed: **Dec. 20, 2017**

Related U.S. Application Data

(62) Division of application No. 29/539,651, filed on Sep. 16, 2015, now Pat. No. Des. 809,467.

(30) **Foreign Application Priority Data**

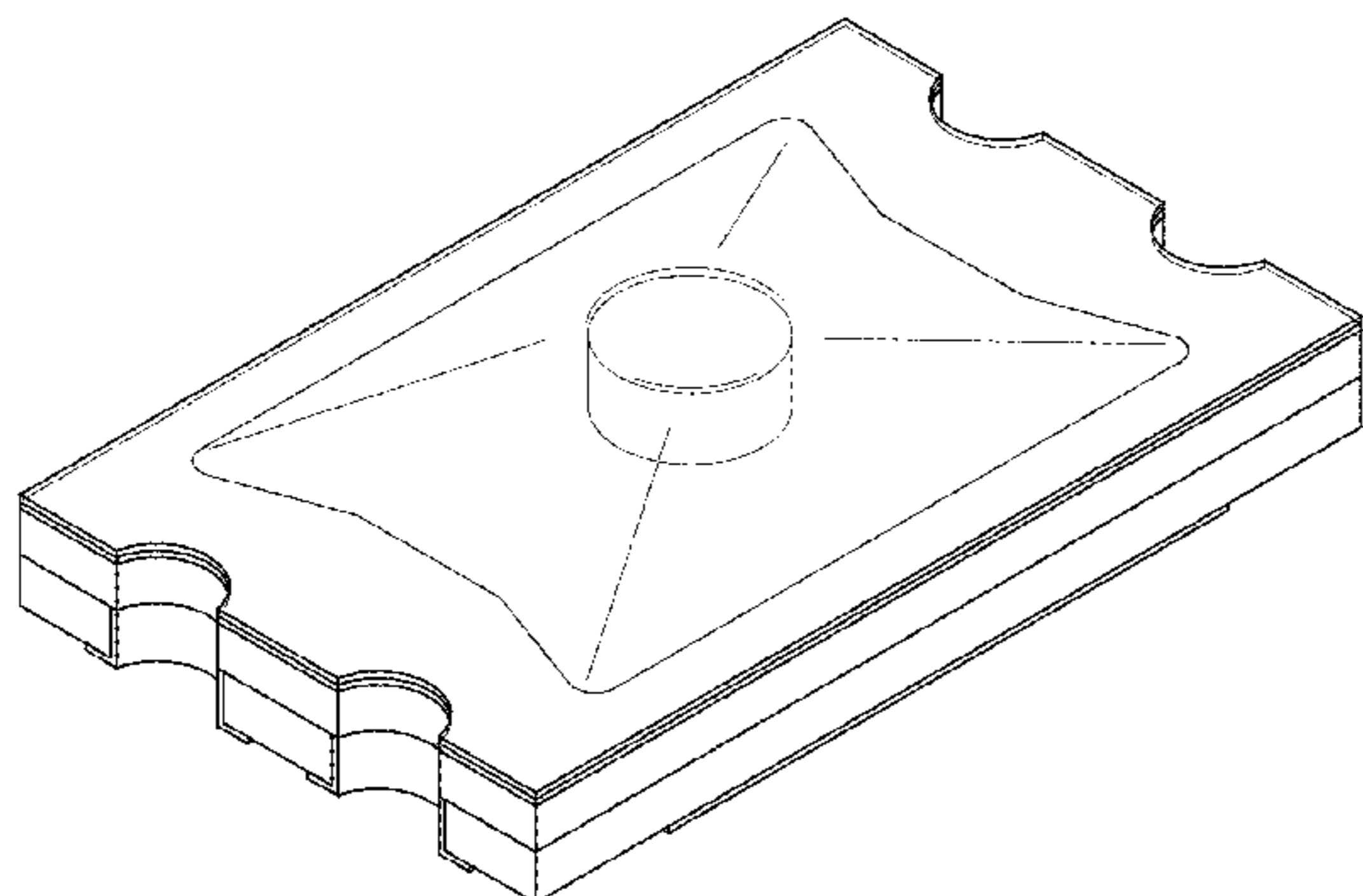
Mar. 23, 2015 (JP) 2015-006248
Mar. 23, 2015 (JP) 2015-006250
Mar. 23, 2015 (JP) 2015-006251

(51) **LOC (11) Cl.** **13-03**

(52) **U.S. Cl.**
USPC **D13/158; D13/171**

(58) **Field of Classification Search**
USPC D13/158, 171, 180
CPC ... H01L 25/0753; H01L 25/167; H01L 27/15;
H01L 27/156; H01L 33/00; H01L 33/04;
H01L 33/08; H01L 33/10; H01L 33/20;
H01L 33/28; H01L 33/42; H01L 33/48;
H01L 33/483; H01L 33/486; H01H
13/48;

(Continued)



(56) **References Cited**

U.S. PATENT DOCUMENTS

6,417,467 B1 7/2002 Yamagata
D467,880 S 12/2002 Kawashima
6,646,217 B2 11/2003 Omata

(Continued)

FOREIGN PATENT DOCUMENTS

JP D1425373 10/2011
JP D1425595 10/2011

Primary Examiner — Selina Sikder

(74) *Attorney, Agent, or Firm* — Wenderoth, Lind & Ponack, L.L.P.

(57) **CLAIM**

The ornamental design for a switch, as shown and described.

DESCRIPTION

FIG. 1 is a top perspective view of a first embodiment of a switch showing an upper surface with front and left side surfaces;

FIG. 2 is a bottom perspective view thereof showing a bottom surface with rear and right side surfaces;

FIG. 3 is a front view thereof, a rear view being identical to FIG. 3;

FIG. 4 is a top plan view thereof;

FIG. 5 is a bottom plan view thereof;

FIG. 6 is a left side view thereof, a right side view being identical to FIG. 6;

FIG. 7 is a top perspective view of a second embodiment of a switch showing an upper surface with front and left side surfaces;

FIG. 8 is a bottom perspective view thereof showing a bottom surface with rear and right side surfaces;

FIG. 9 is a front view thereof, a rear view being identical to FIG. 9;

(Continued)

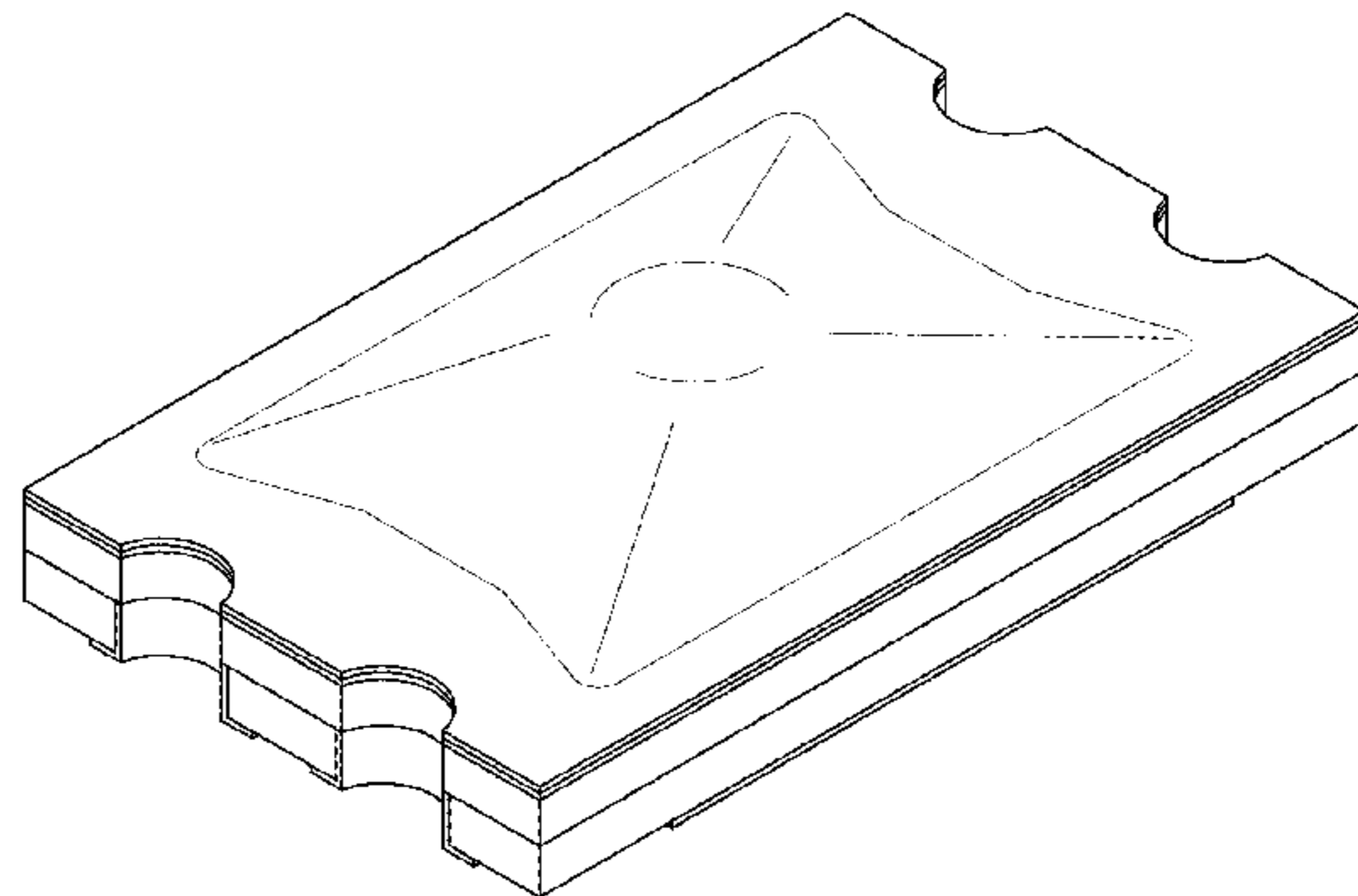


FIG. 10 is a top plan view thereof;
 FIG. 11 is a bottom plan view thereof; and,
 FIG. 12 is a left side view thereof, a right side view being
 identical to FIG. 12.

1 Claim, 6 Drawing Sheets

(58) **Field of Classification Search**
 CPC ... H01H 13/83; H01H 13/7006; H01H 13/705
 See application file for complete search history.

(56) **References Cited**

U.S. PATENT DOCUMENTS

6,747,218	B2	6/2004	Huseman
7,075,020	B2	7/2006	Asada
7,557,320	B1	7/2009	Crooijmans
7,690,803	B2	4/2010	Miyashita
D680,503	S	4/2013	Kawashima
D688,636	S	8/2013	Oishi
8,759,704	B2	6/2014	Inamoto
D714,230	S	9/2014	Sun
D719,924	S	12/2014	Ueno
D741,819	S	10/2015	Ueno
9,406,460	B2	8/2016	Nakaoka

D789,307	S	*	6/2017	Amano	D13/180
D809,467	S	*	2/2018	Amano	D13/158
D812,573	S	*	3/2018	Amano	D13/158
D812,574	S	*	3/2018	Amano	D13/158
D812,575	S	*	3/2018	Amano	D13/158
D831,580	S	*	10/2018	Amano	D13/158
2007/0039809	A1		2/2007	Aihara		
2008/0047808	A1		2/2008	Tan		
2008/0251369	A1		10/2008	Villain		
2008/0277251	A1		11/2008	Tatman		
2008/0314722	A1		12/2008	Tatehata		
2009/0178911	A1		7/2009	Chen		
2009/0266696	A1		10/2009	Miyashita		
2010/0140065	A1		6/2010	Lee		
2011/0214969	A1		9/2011	Burnel		
2011/0284357	A1		11/2011	Yasunaga		
2011/0303520	A1		12/2011	Burnel		
2012/0055773	A1		3/2012	Nakaoka		
2012/0111712	A1		5/2012	Cour		
2012/0118720	A1		5/2012	Kikuchi		
2013/0068599	A1		3/2013	Kikuchi		
2013/0087443	A1		4/2013	Kikuchi		
2014/0151213	A1		6/2014	Watanabe		
2014/0311882	A1		10/2014	Terashita		
2016/0064158	A1		3/2016	Nakase		
2016/0203925	A1		7/2016	Gluck		
2016/0351360	A1		12/2016	Knopf		
2017/0069444	A1		3/2017	Wang		

* cited by examiner

Fig. 1

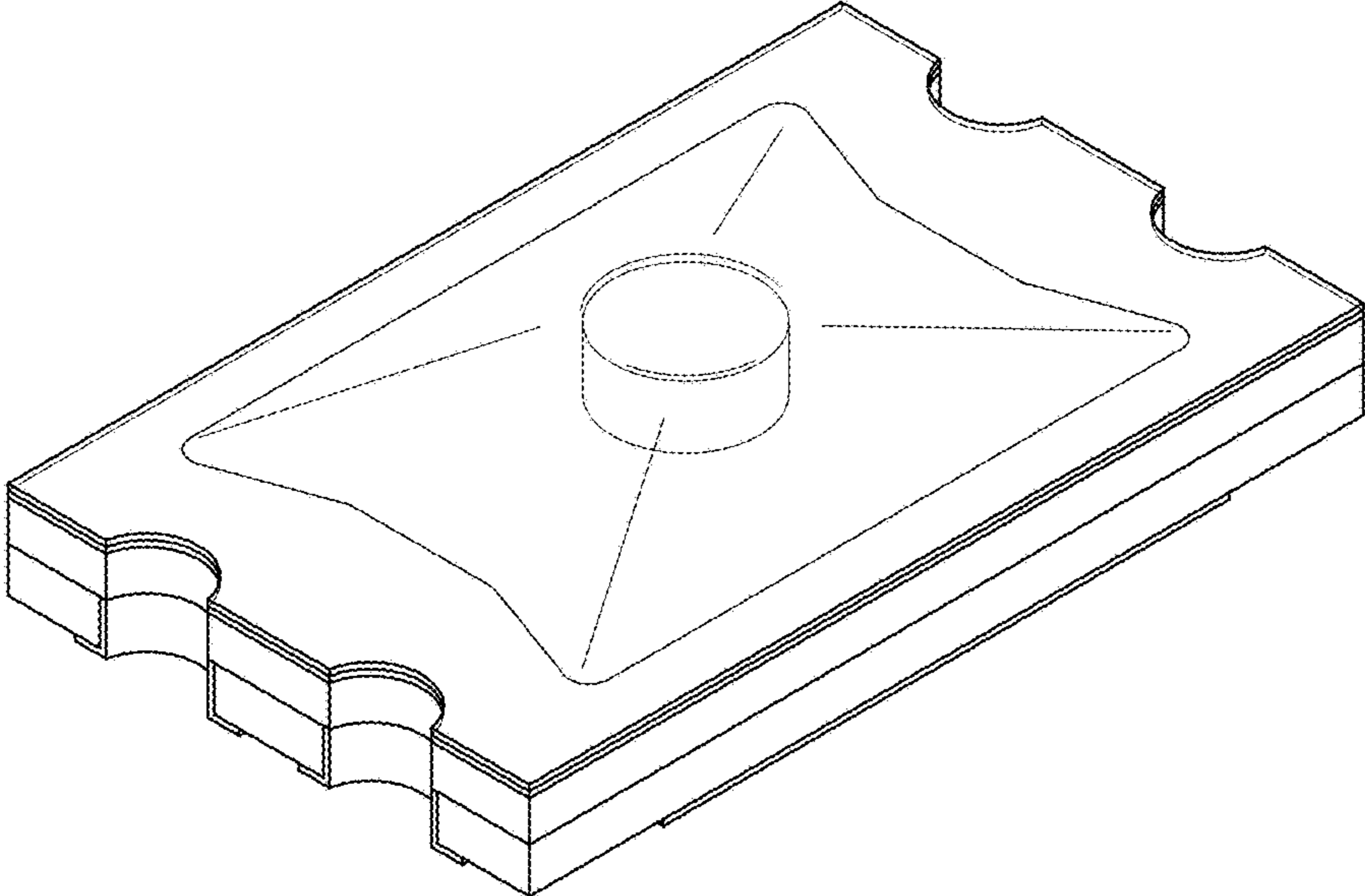


Fig. 2

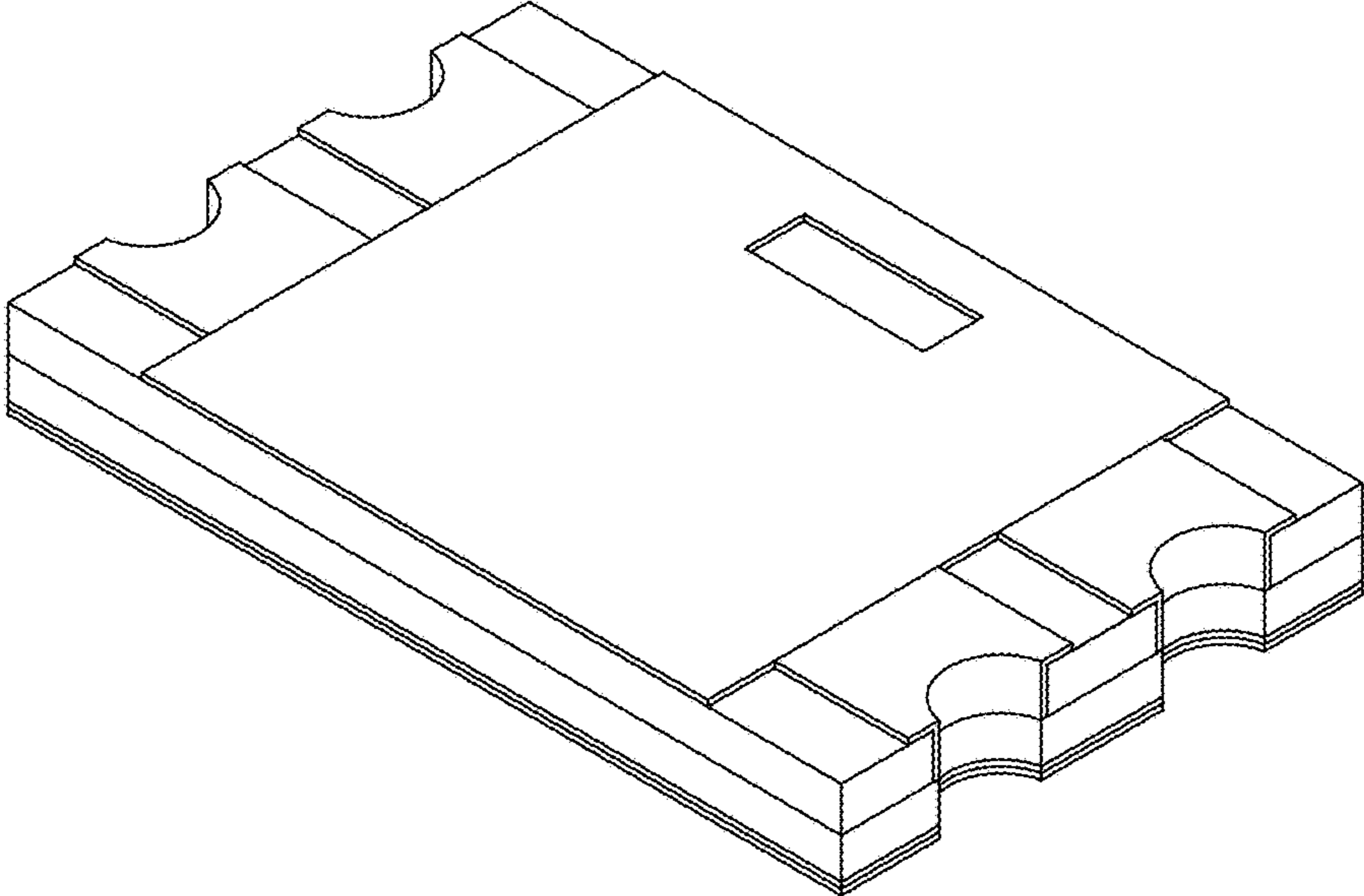


Fig. 3

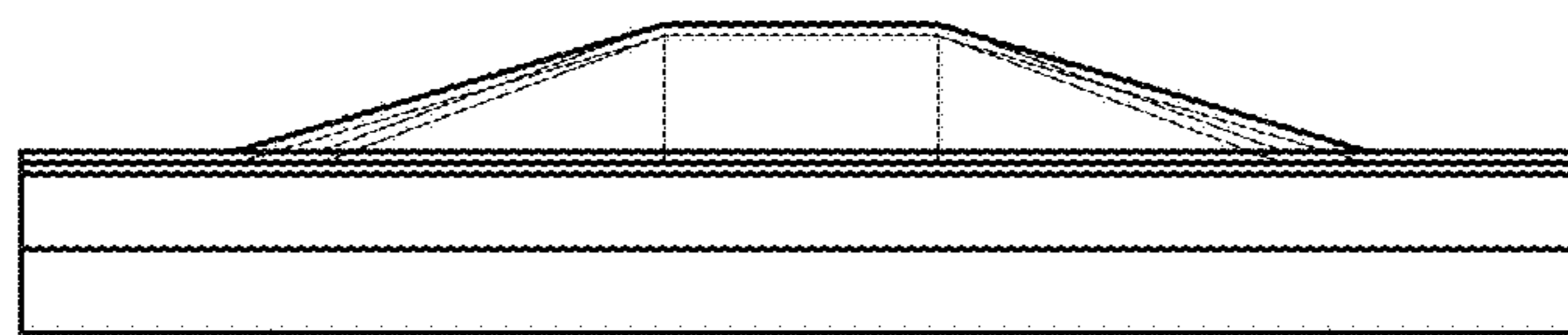


Fig. 4

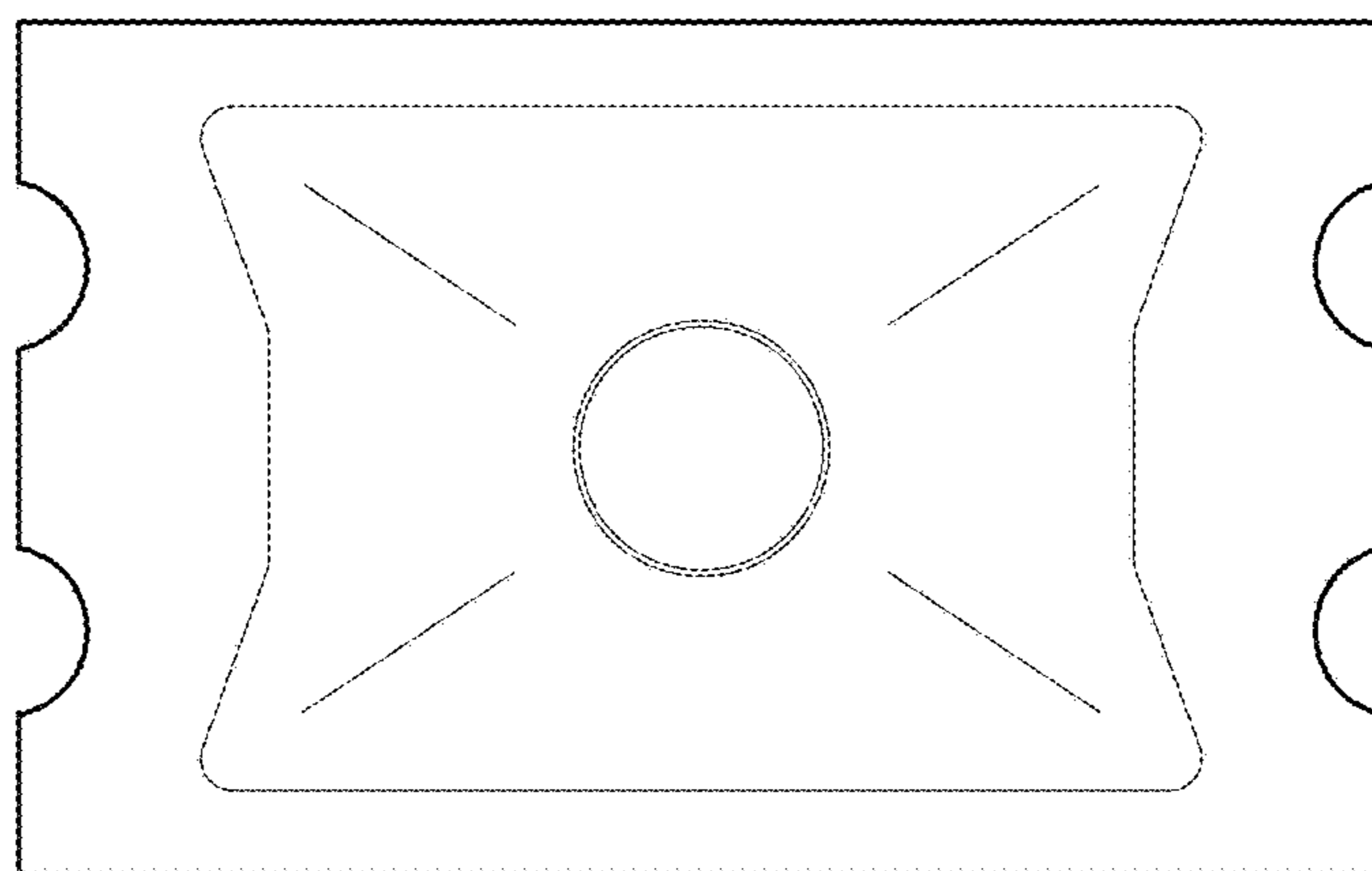


Fig. 5

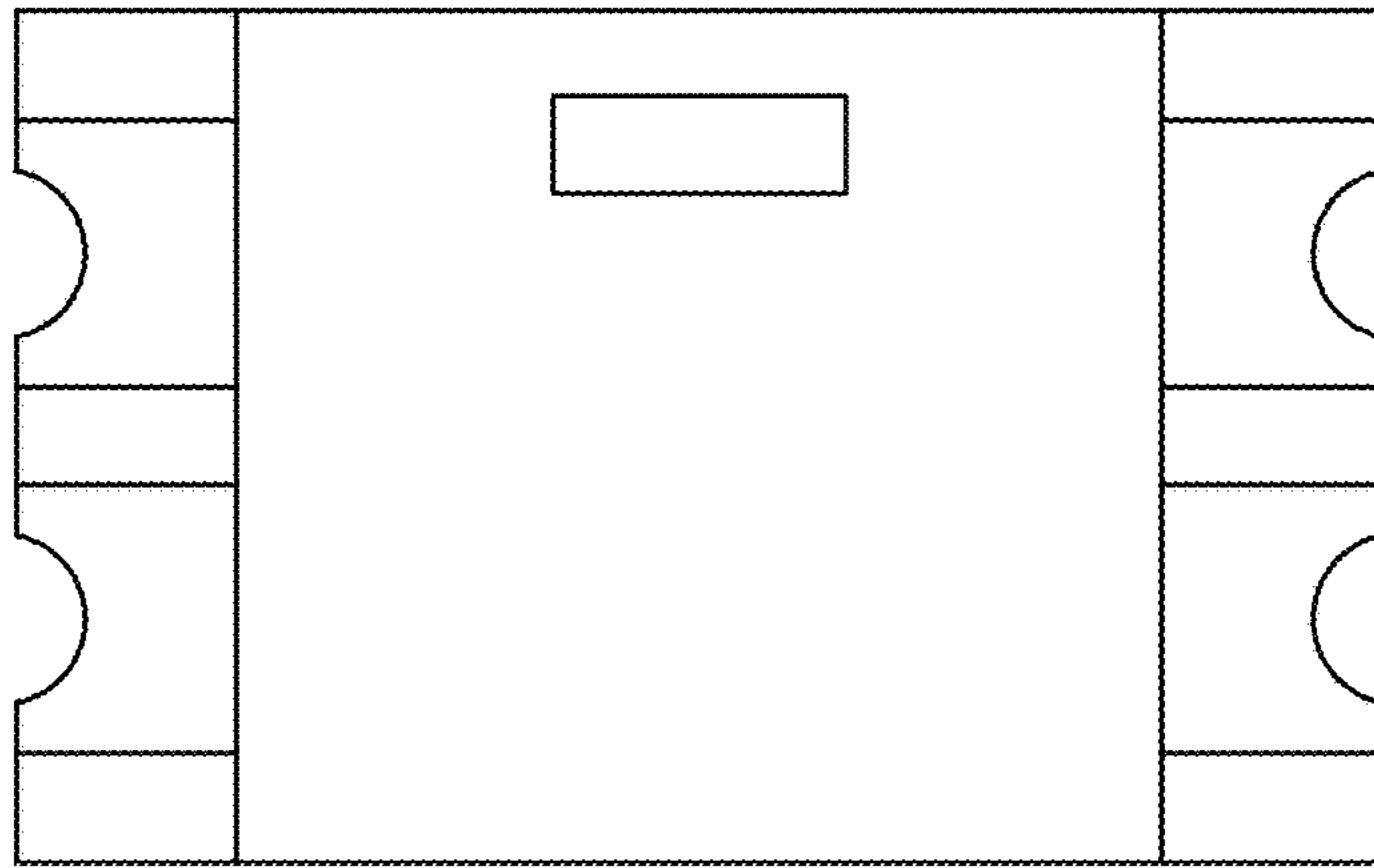


Fig. 6

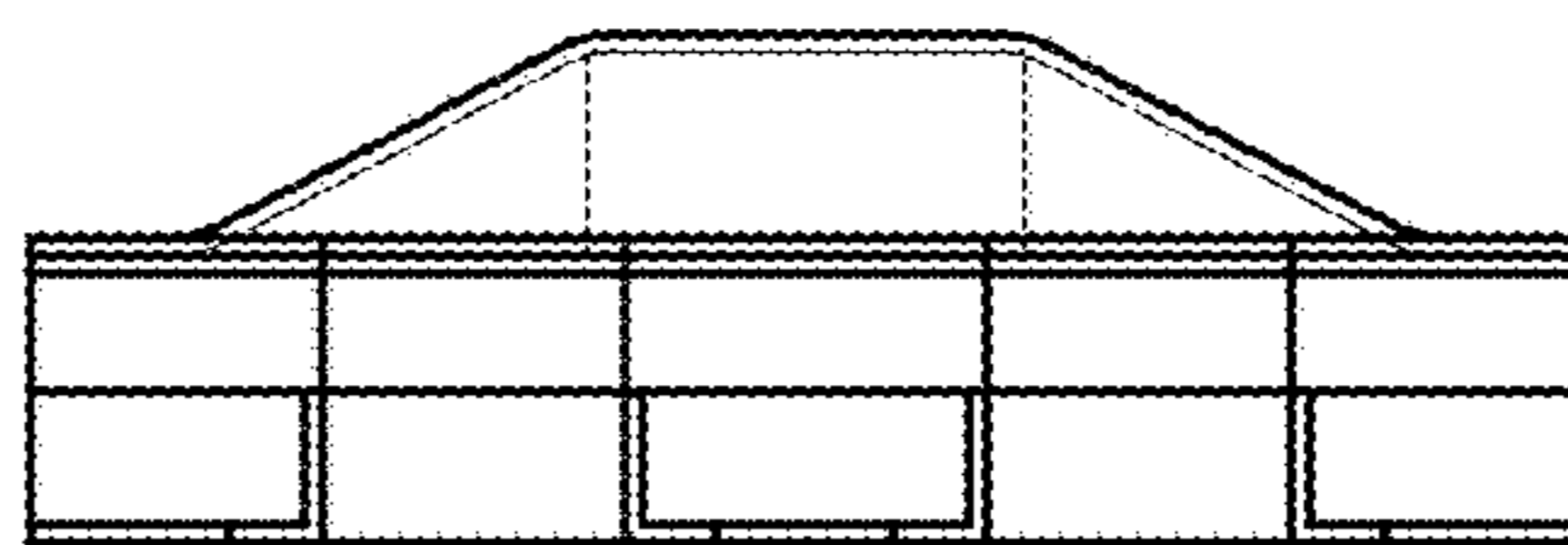


Fig. 7

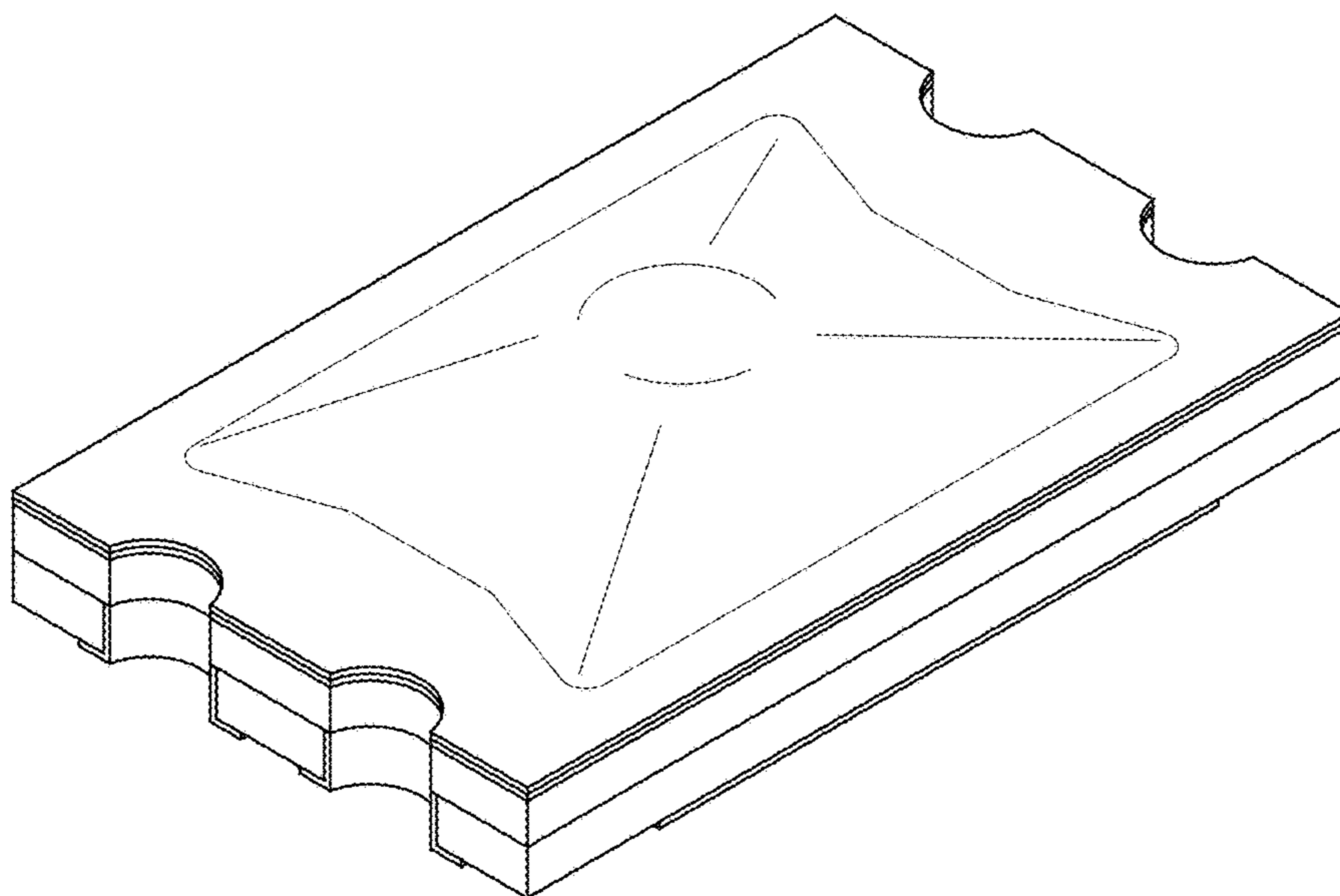


Fig. 8

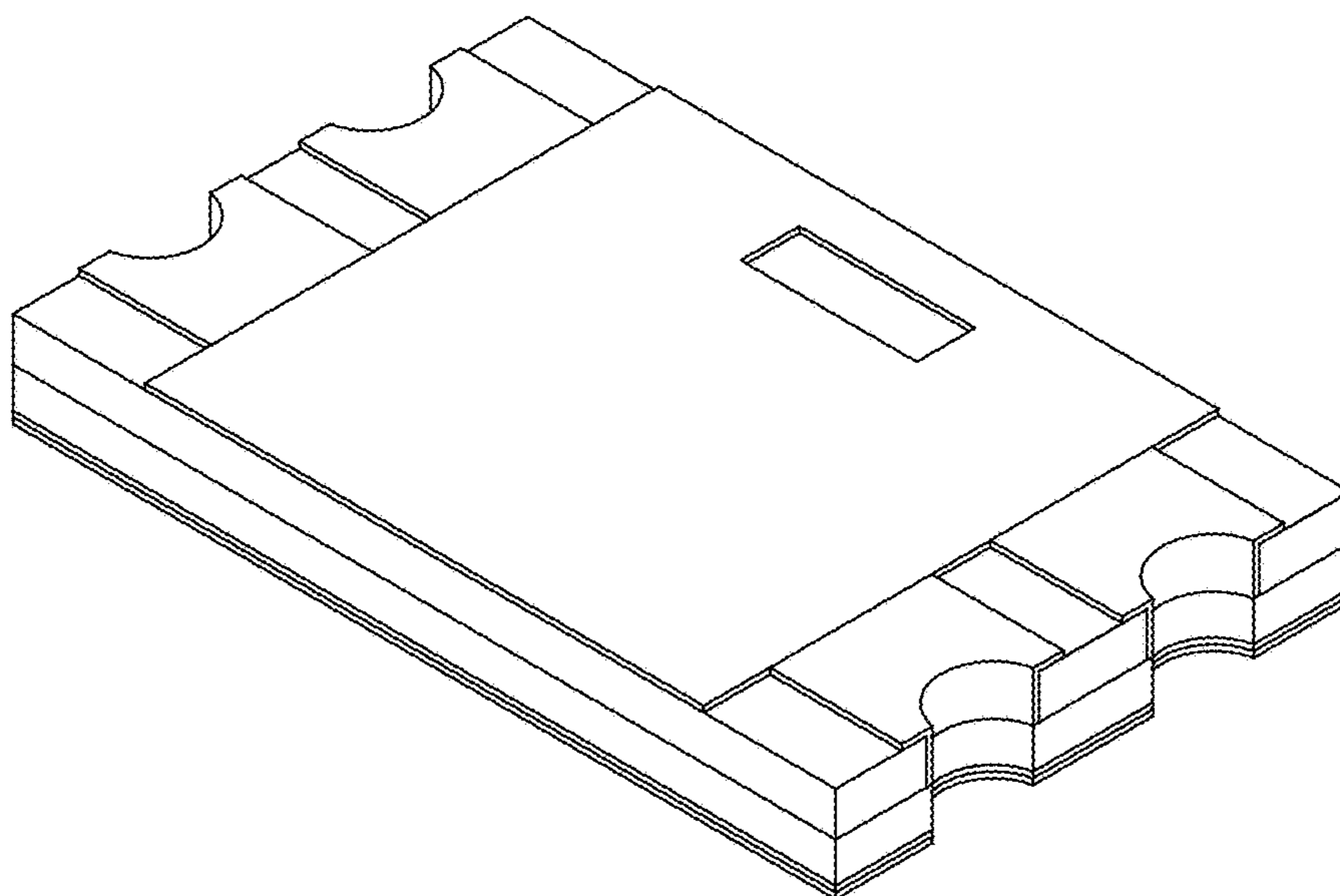


Fig. 9

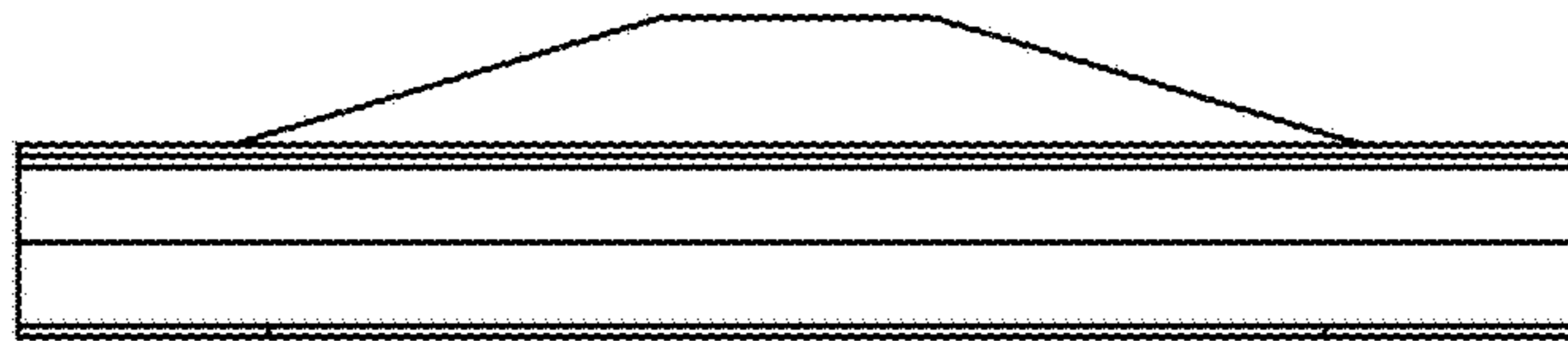


Fig. 10

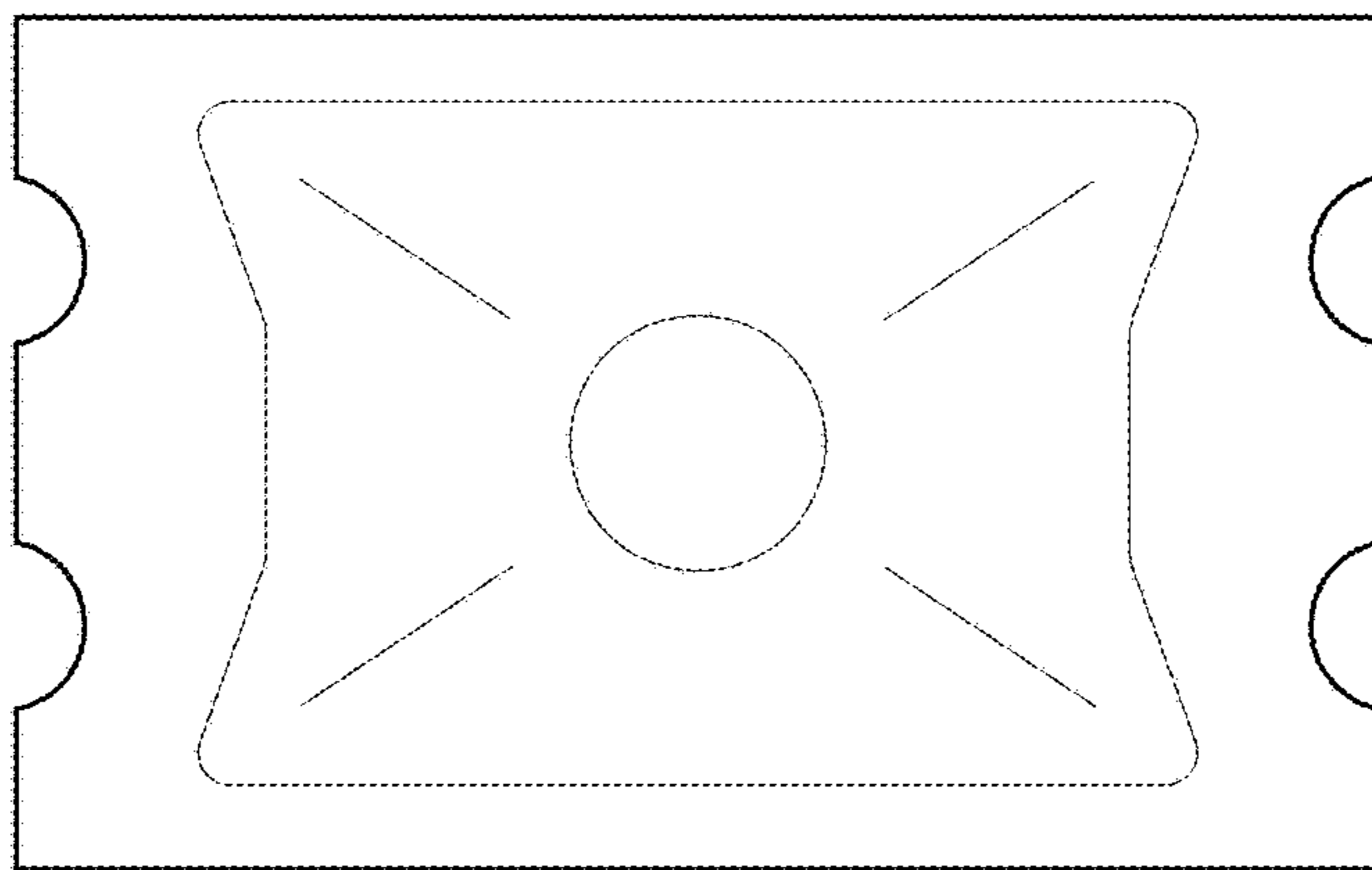


Fig. 11

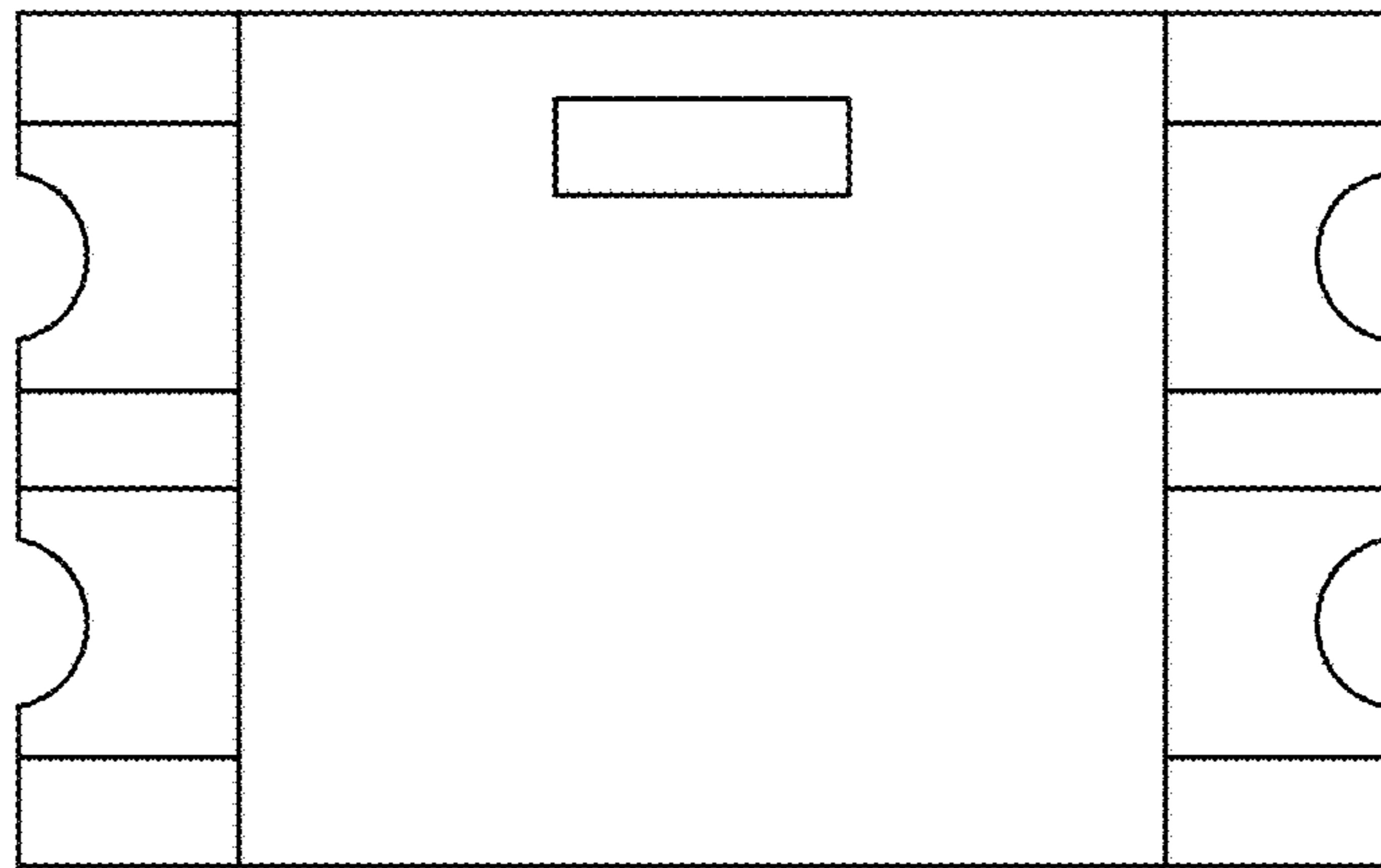


Fig. 12

