



US00D852144S

(12) **United States Design Patent**
Maegawa

(10) **Patent No.:** **US D852,144 S**

(45) **Date of Patent:** **** Jun. 25, 2019**

(54) **HERMETIC TERMINAL**

(71) Applicant: **SCHOTT Japan Corporation,**
Koka-shi, Shiga (JP)

(72) Inventor: **Yusuke Maegawa,** Koka (JP)

(73) Assignee: **SCHOTT Japan Corporation,**
Koka-shi, Shiga (JP)

(**) Term: **15 Years**

(21) Appl. No.: **29/649,312**

(22) Filed: **May 29, 2018**

Related U.S. Application Data

(62) Division of application No. 29/591,113, filed on Jan. 17, 2017.

(51) **LOC (11) Cl.** **13-03**

(52) **U.S. Cl.**
USPC **D13/156**

(58) **Field of Classification Search**
USPC D13/151, 155, 156, 120, 133, 134, 146;
D15/9

CPC .. H01R 13/52; H01R 13/523; H01R 13/5205;
H01R 13/521; H01R 13/5227; H01R
13/5219; H01B 17/303; H01B 17/305;
Y10T 29/4998

See application file for complete search history.

(56) **References Cited**

U.S. PATENT DOCUMENTS

3,551,191	A	12/1970	Goldberg	
3,566,341	A *	2/1971	Skony	H01R 13/567 439/685
3,721,948	A	3/1973	Brandt et al.	
3,988,053	A *	10/1976	Dodenhoff	H01R 13/521 439/887
4,420,210	A *	12/1983	Karol	H01R 13/521 174/152 GM
4,584,433	A *	4/1986	Bowsky	H01B 17/305 174/152 GM

(Continued)

Primary Examiner — Jennifer Rivard

Assistant Examiner — Alison M Ofstun

(74) *Attorney, Agent, or Firm* — W. F. Fasse

(57) **CLAIM**

The ornamental design for a hermetic terminal, as shown and described.

DESCRIPTION

FIG. 1 is a perspective view of a first embodiment of a hermetic terminal showing my new design;

FIG. 2 is a front view thereof;

FIG. 3 is a rear view thereof;

FIG. 4 is a top view thereof;

FIG. 5 is a bottom view thereof;

FIG. 6 is a right view thereof;

FIG. 7 is a left view thereof;

FIG. 8 is a cross sectional view taken along line 8-8 of FIG. 2;

FIG. 9 is a perspective view of a second embodiment of a hermetic terminal showing my new design;

FIG. 10 is a front view thereof;

FIG. 11 is a rear view thereof;

FIG. 12 is a top view thereof;

FIG. 13 is a bottom view thereof;

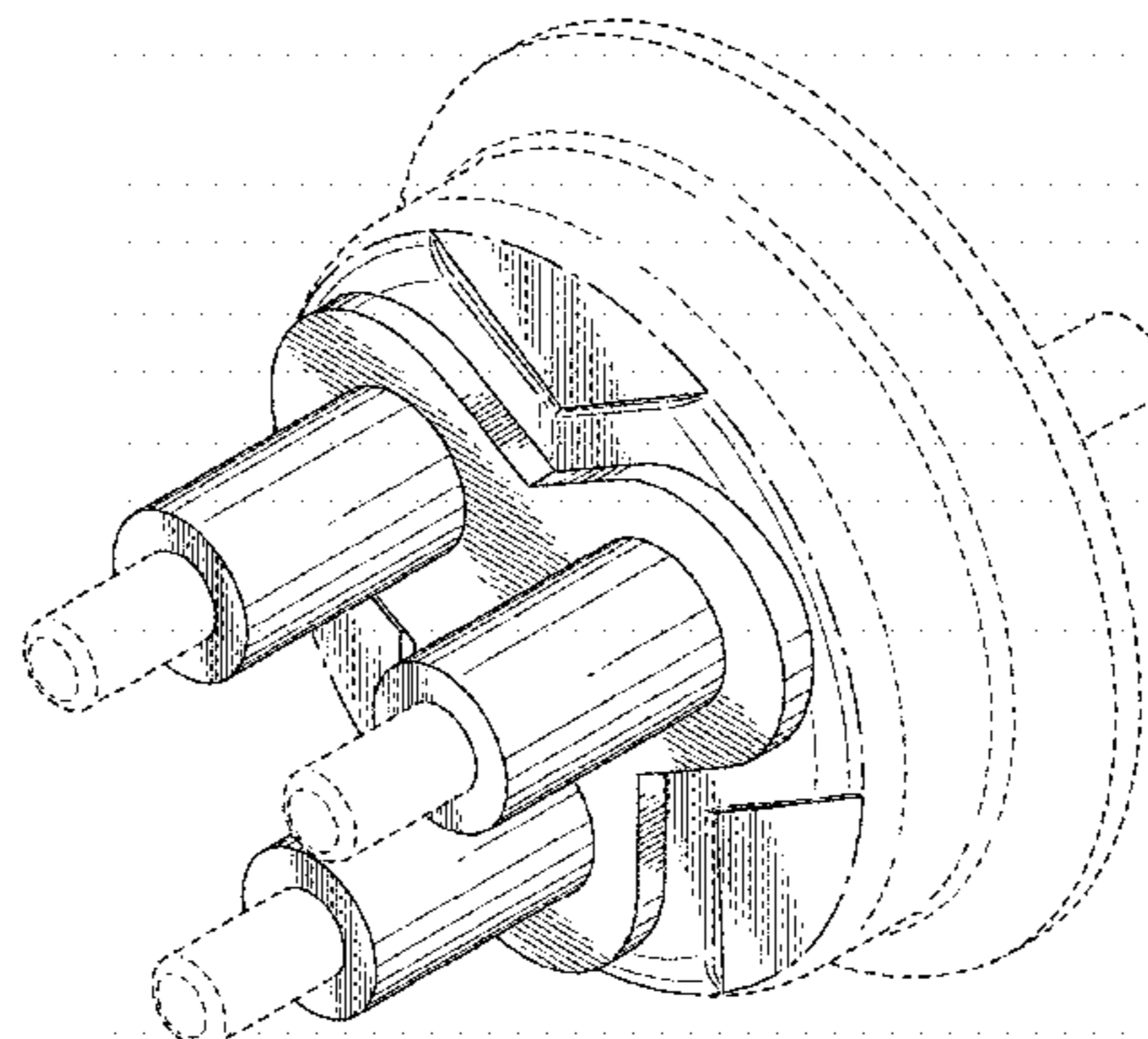
FIG. 14 is a right view thereof;

FIG. 15 is a left view thereof; and,

FIG. 16 is a cross sectional view taken along line 16-16 of FIG. 10.

The short-dash broken lines illustrate unclaimed portions of the hermetic terminal and form no part of the claimed design. The long-dash and short-dash broken line represents an unclaimed boundary between the claimed design and unclaimed portions of the hermetic terminal, and forms no part of the claimed design.

1 Claim, 8 Drawing Sheets



(56)

References Cited

U.S. PATENT DOCUMENTS

4,611,873	A *	9/1986	Punako	H01R 13/6588 439/277	6,509,525	B2 *	1/2003	Honkomp	H01B 17/303 174/152 GM
5,129,843	A *	7/1992	Bowsky	H01R 13/521 439/181	D537,414	S *	2/2007	Saito	D13/146
5,131,858	A *	7/1992	Heimbrock	H01R 13/53 439/181	D708,147	S	7/2014	Auguste et al.	
5,493,073	A *	2/1996	Honkomp	H01B 17/305 174/152 GM	D708,148	S	7/2014	Auguste et al.	
5,580,282	A *	12/1996	Paterek	H01R 13/521 439/271	8,794,999	B2 *	8/2014	Schuckmann	H01R 13/44 439/587
5,664,959	A *	9/1997	Duell	H01R 13/5219 439/278	D717,246	S	11/2014	Ilkhanov et al.	
6,107,566	A *	8/2000	Quadir	H01B 17/303 174/50.52	D720,301	S	12/2014	Schuckmann et al.	
6,114,633	A	9/2000	Duhancik		D730,288	S	5/2015	Ilkhanov et al.	
6,273,754	B1 *	8/2001	Bunch	H01R 13/405 439/587	D740,232	S	10/2015	Auguste et al.	
					D749,515	S	2/2016	Schuckmann et al.	
					D749,516	S	2/2016	Schuckmann et al.	
					D749,517	S	2/2016	Schuckmann et al.	
					D756,929	S	5/2016	Harek et al.	
					2004/0029443	A1	2/2004	Quadir et al.	
					2014/0045369	A1	2/2014	Klaassen et al.	
					2014/0120750	A1	5/2014	Johnson	
					2016/0020547	A1	1/2016	Khadkikar et al.	

* cited by examiner

FIG.1

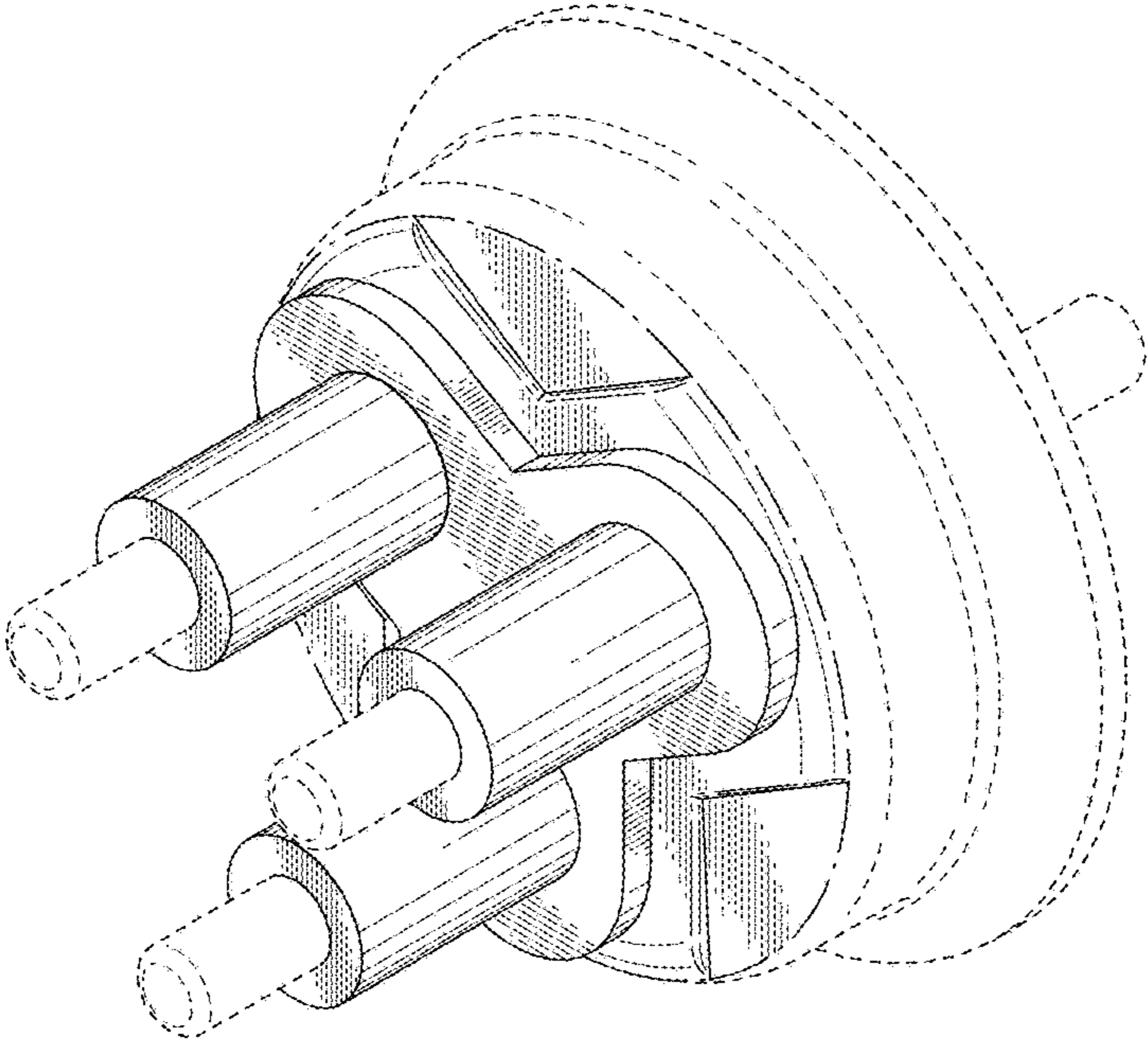


FIG.2

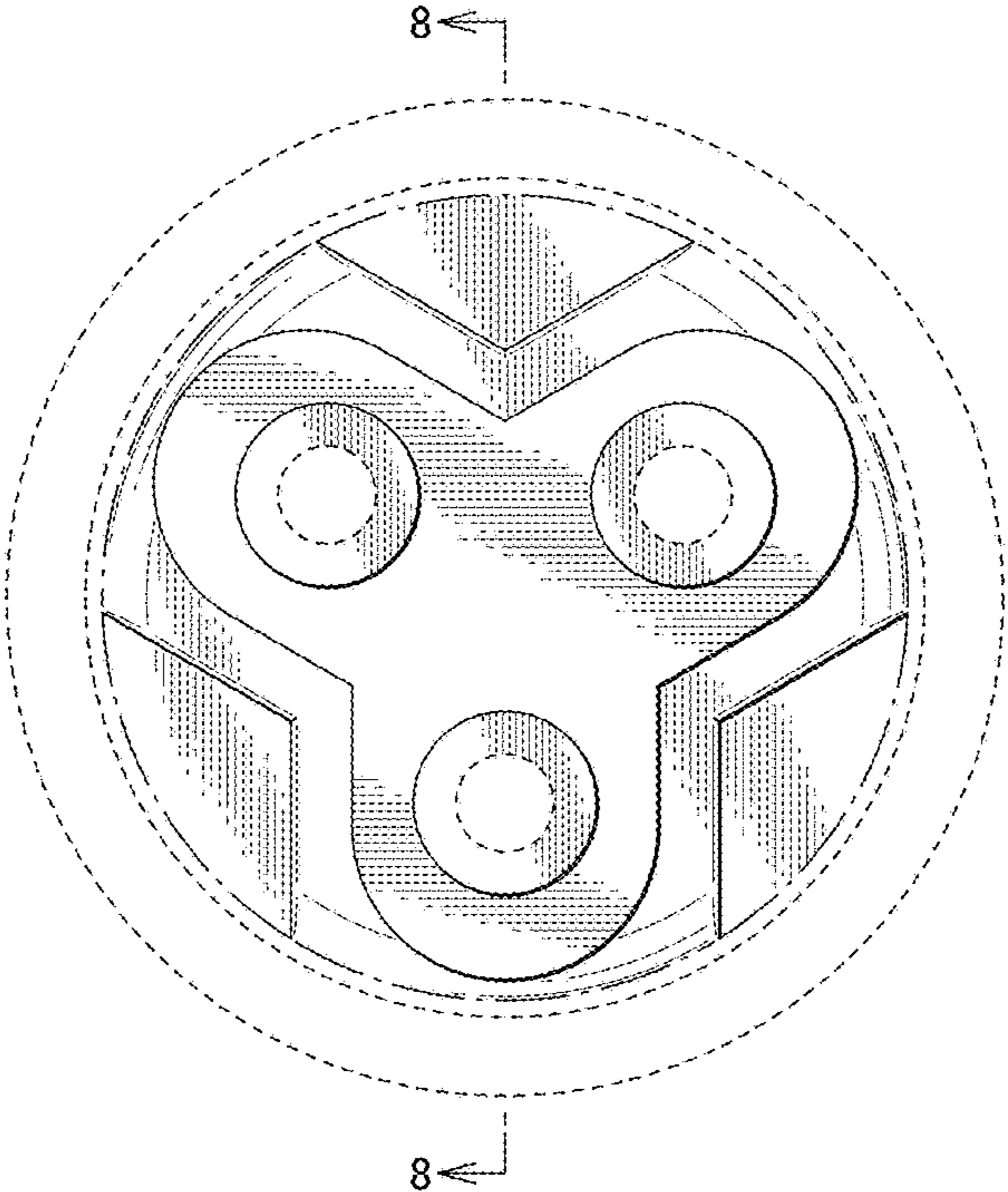


FIG.3

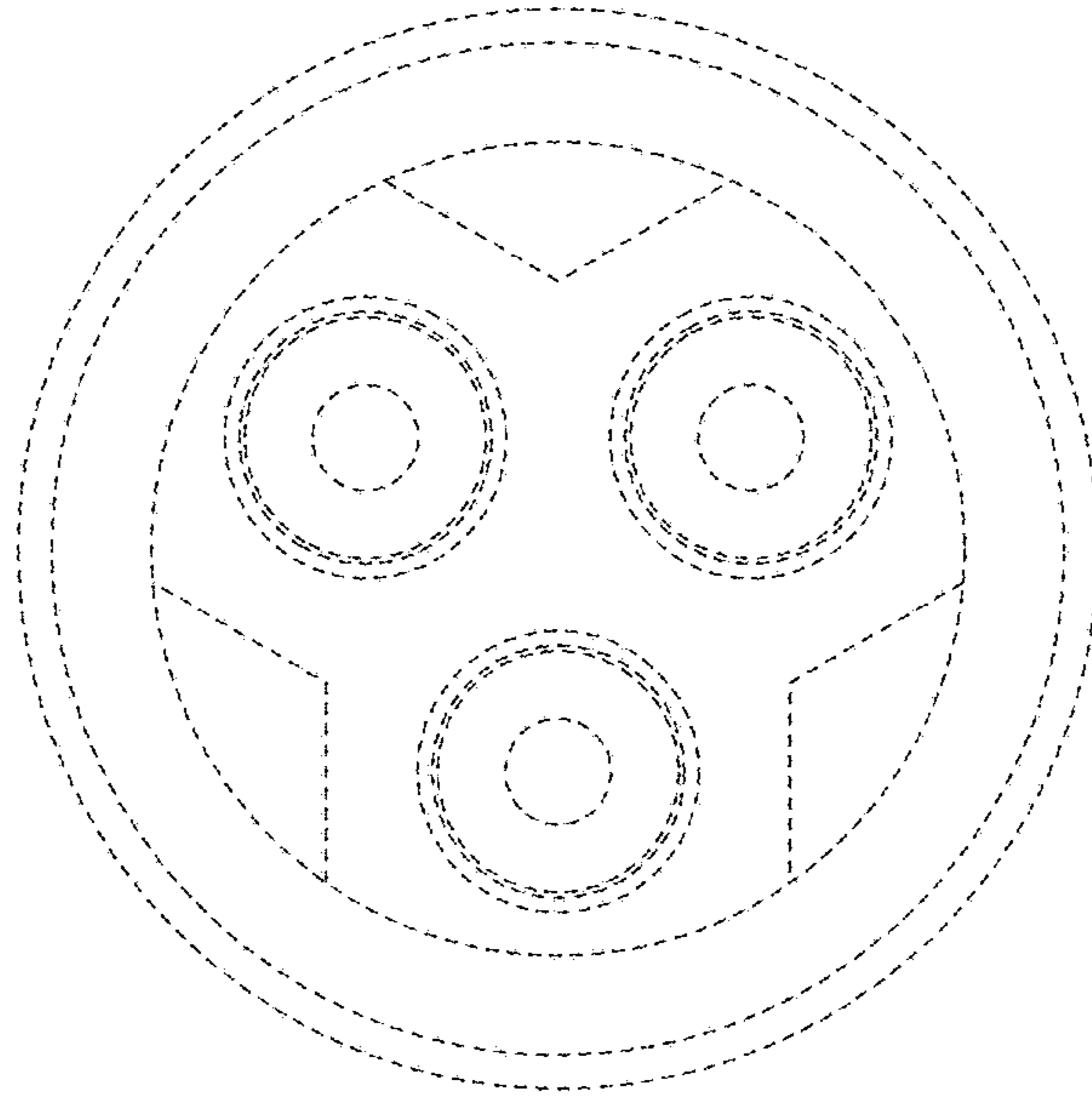


FIG.4

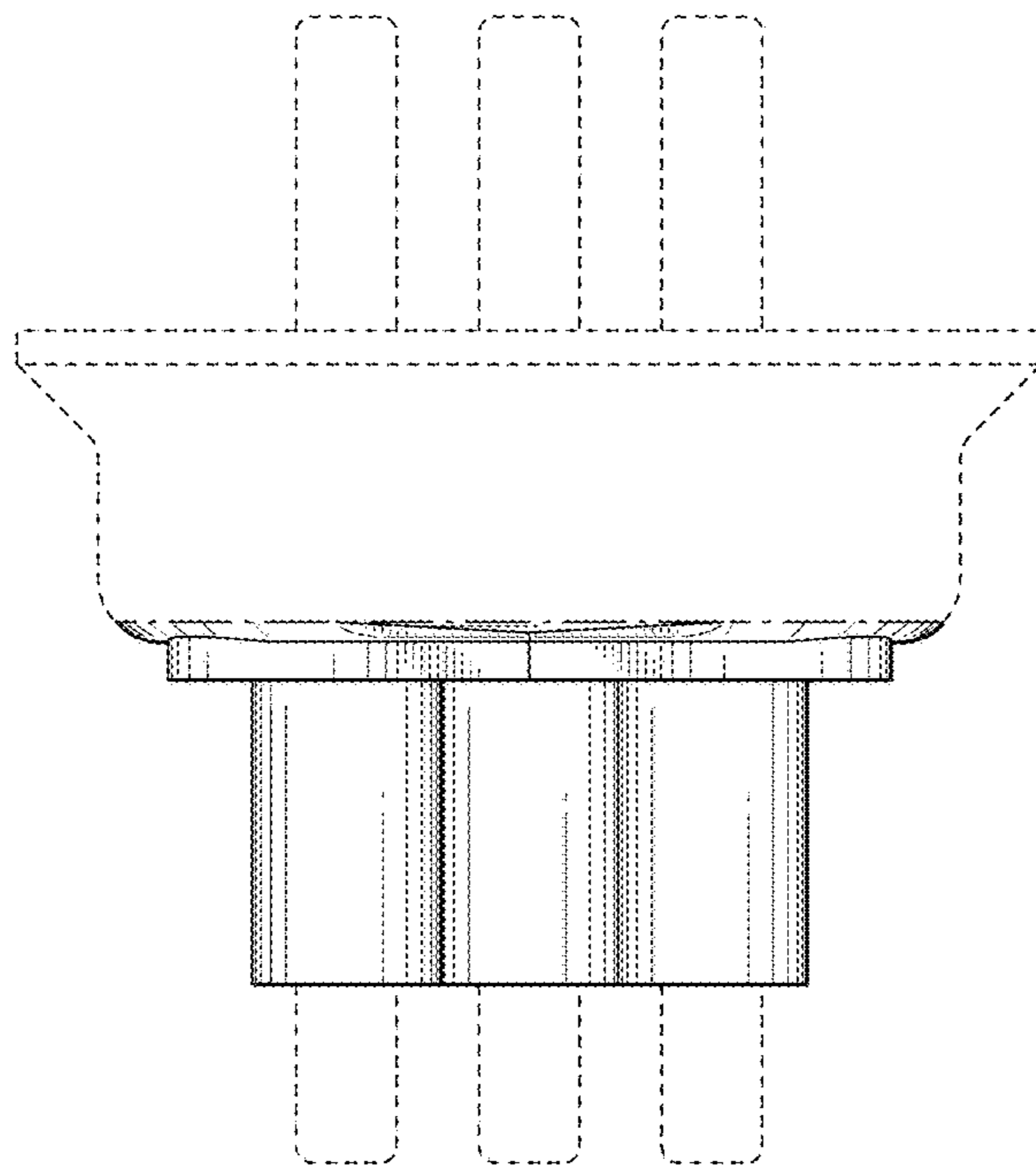


FIG.5

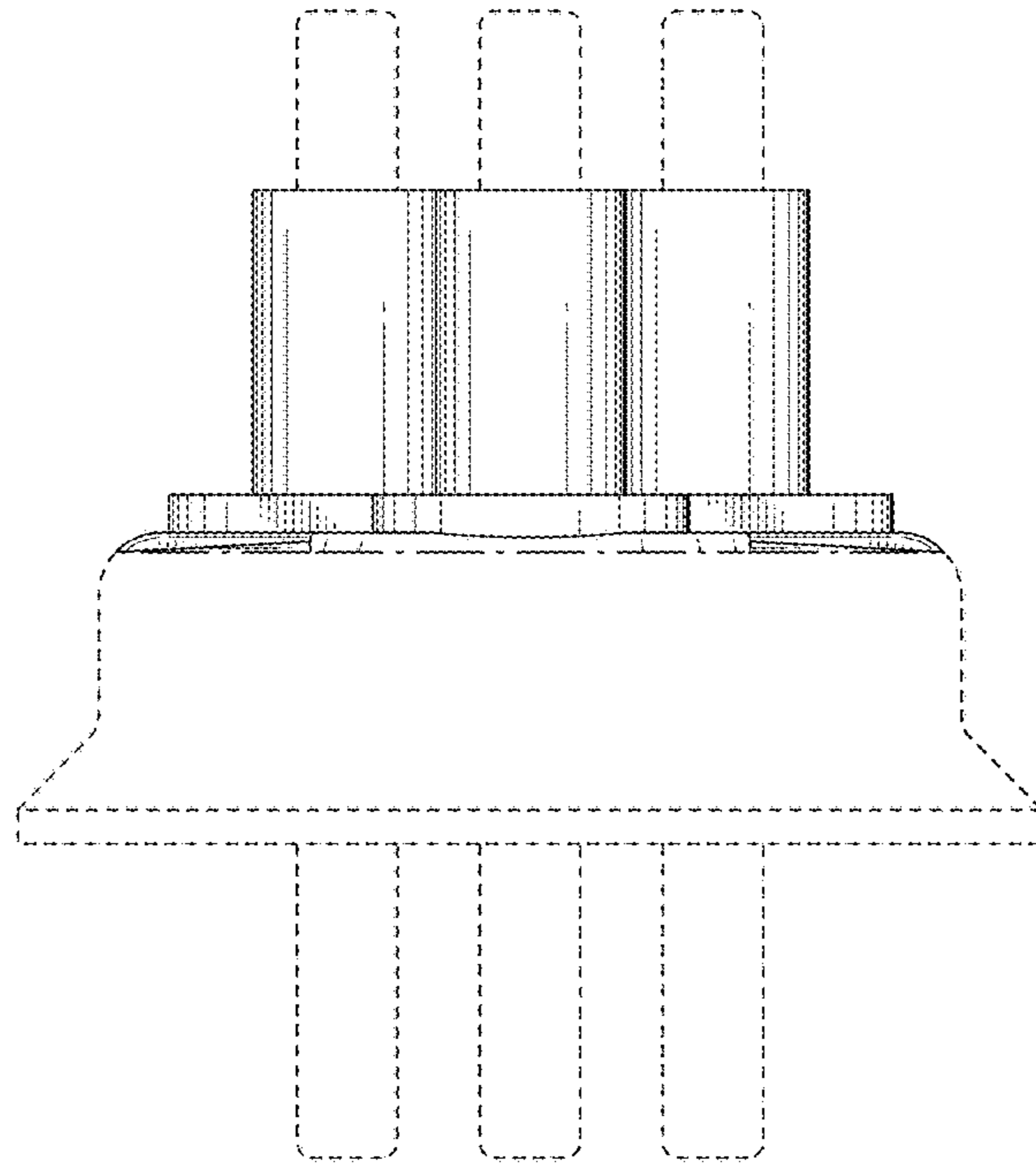


FIG.6

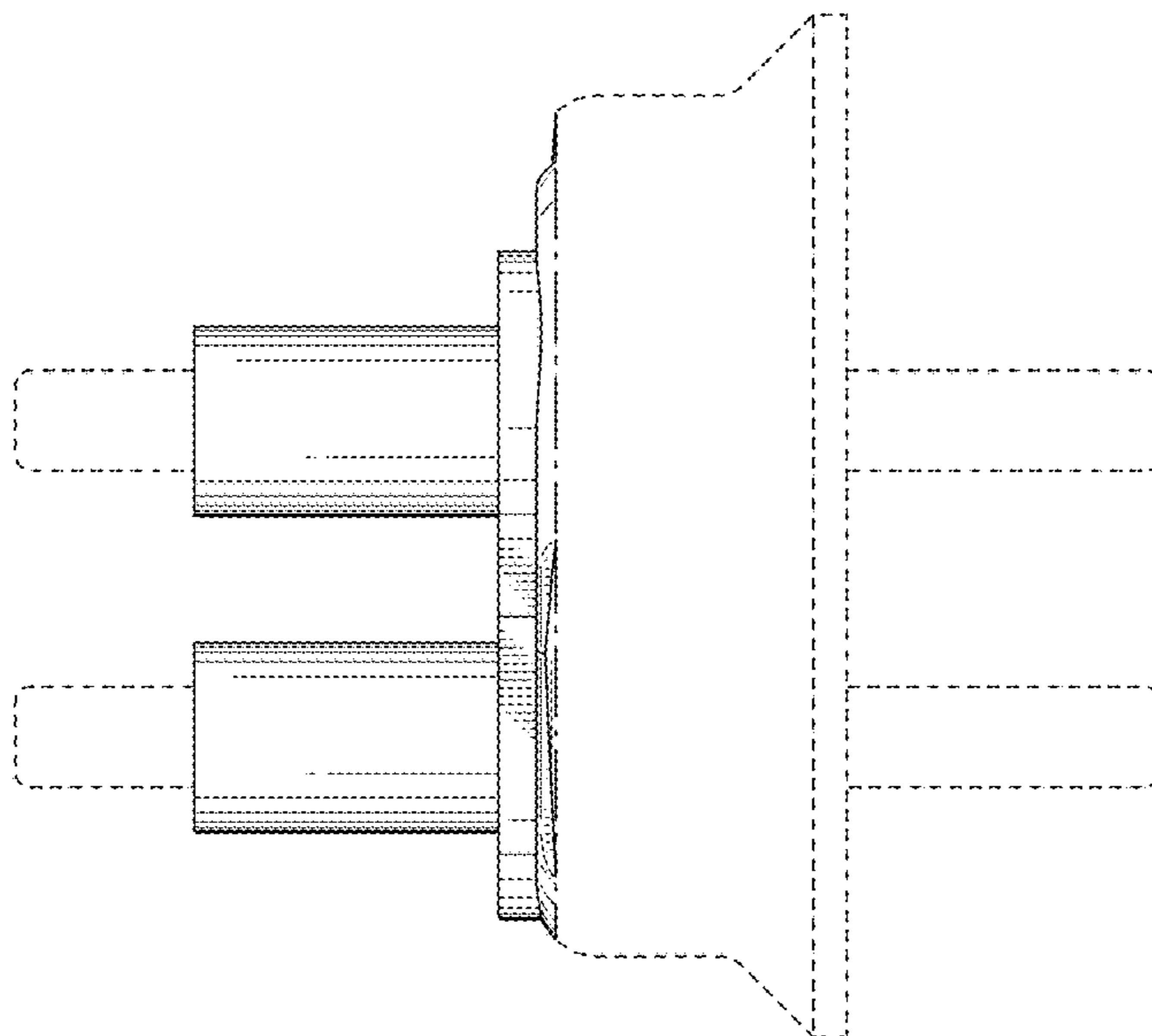


FIG.7

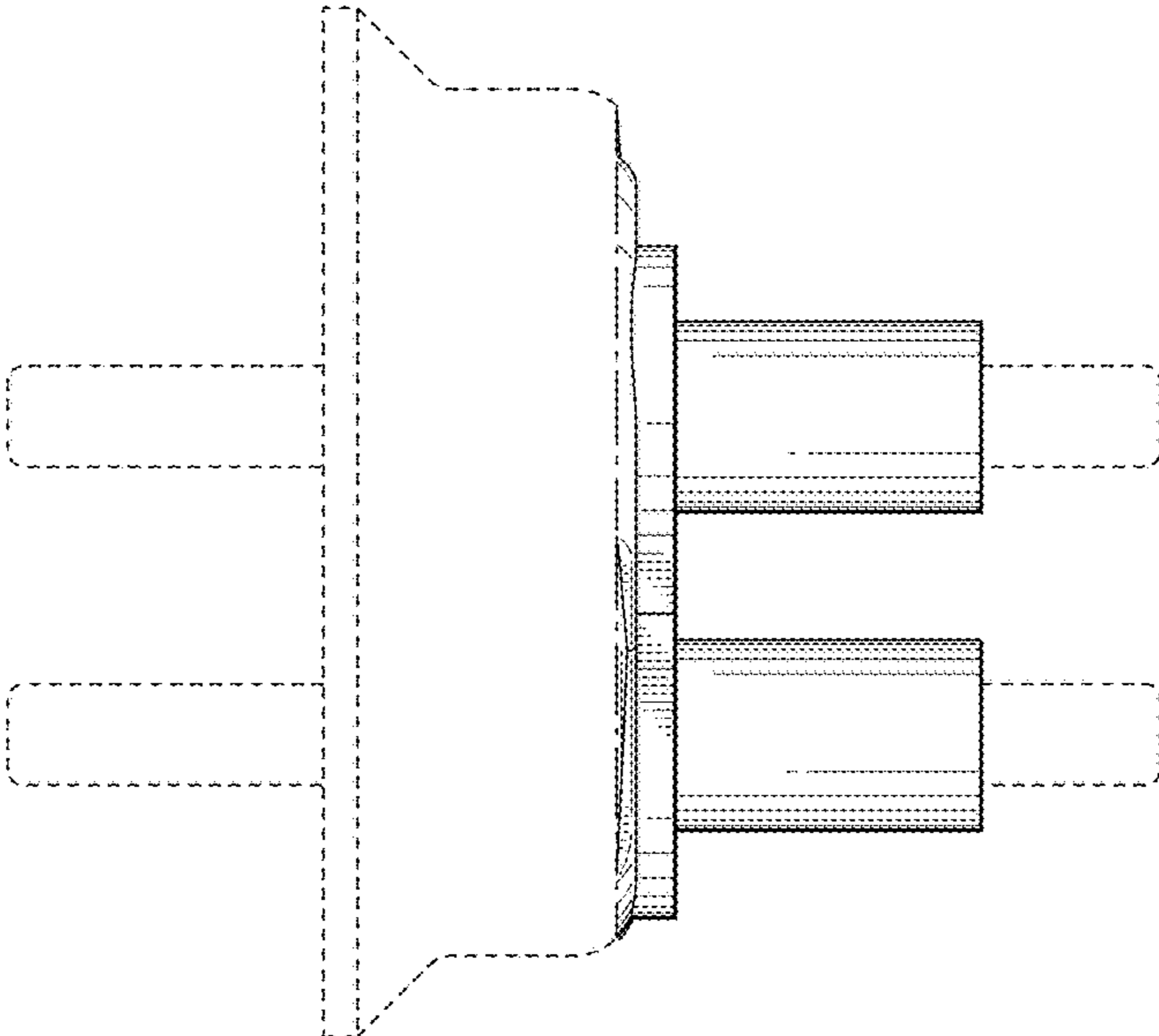


FIG.8

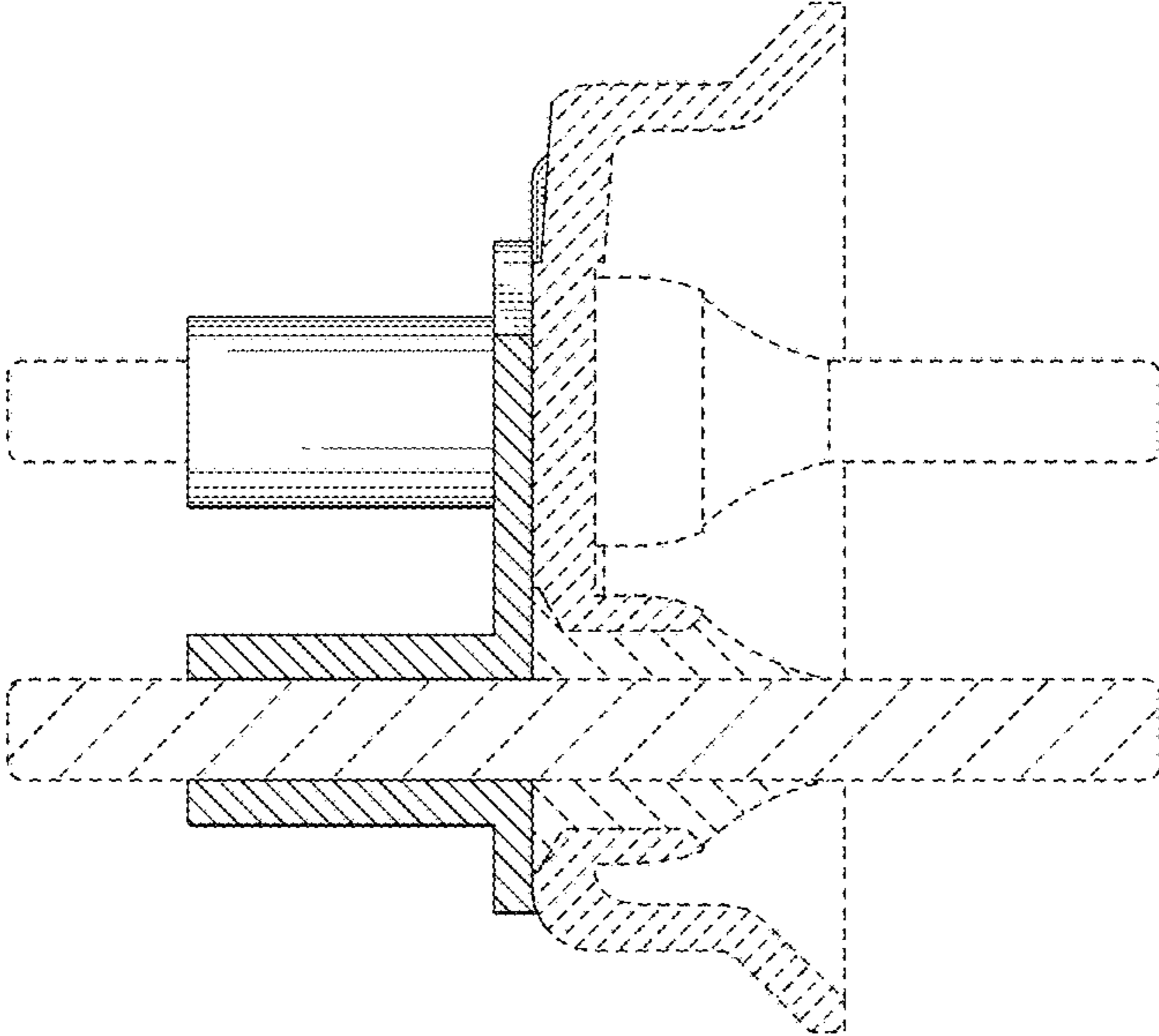


FIG.9

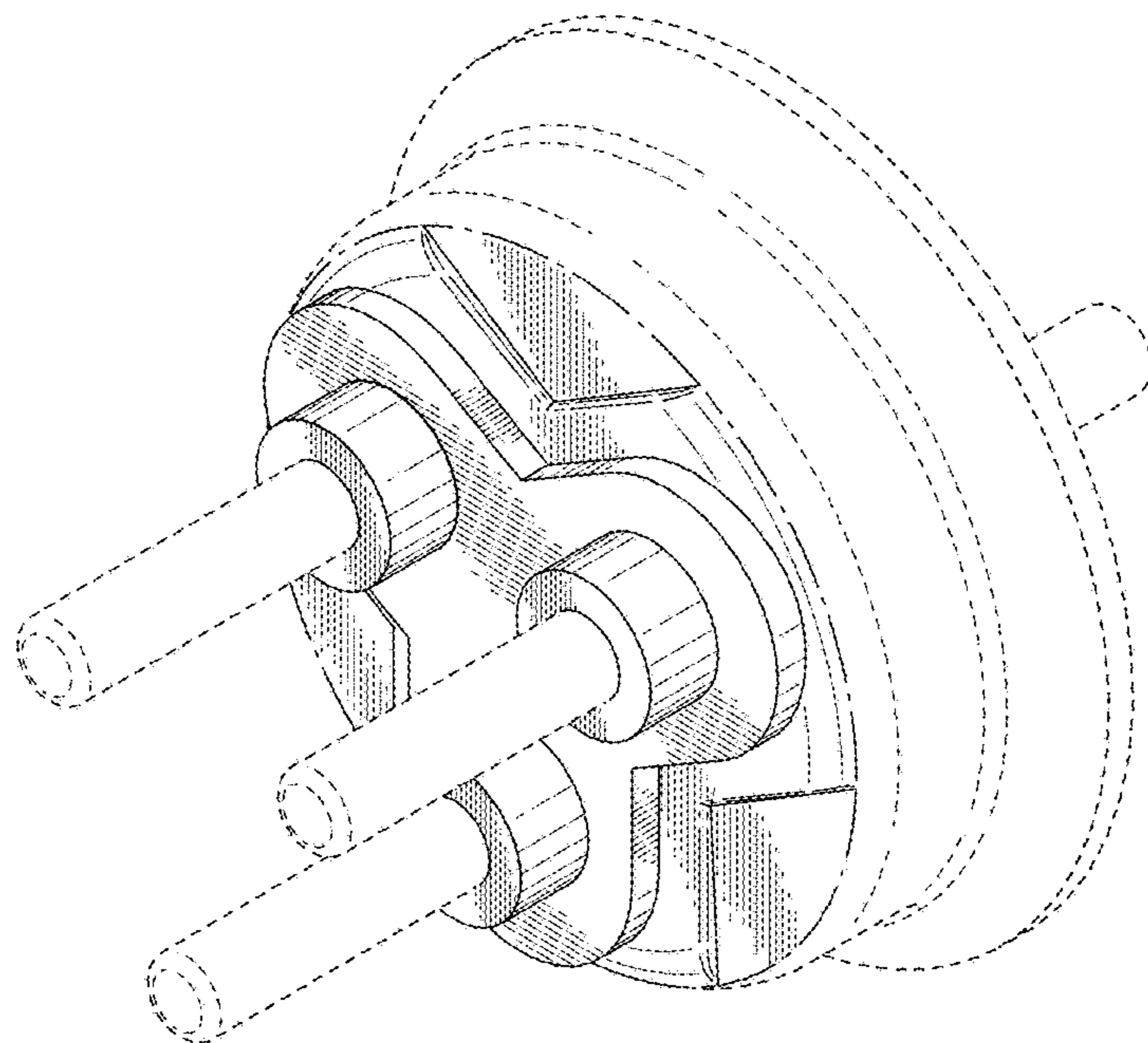


FIG.10

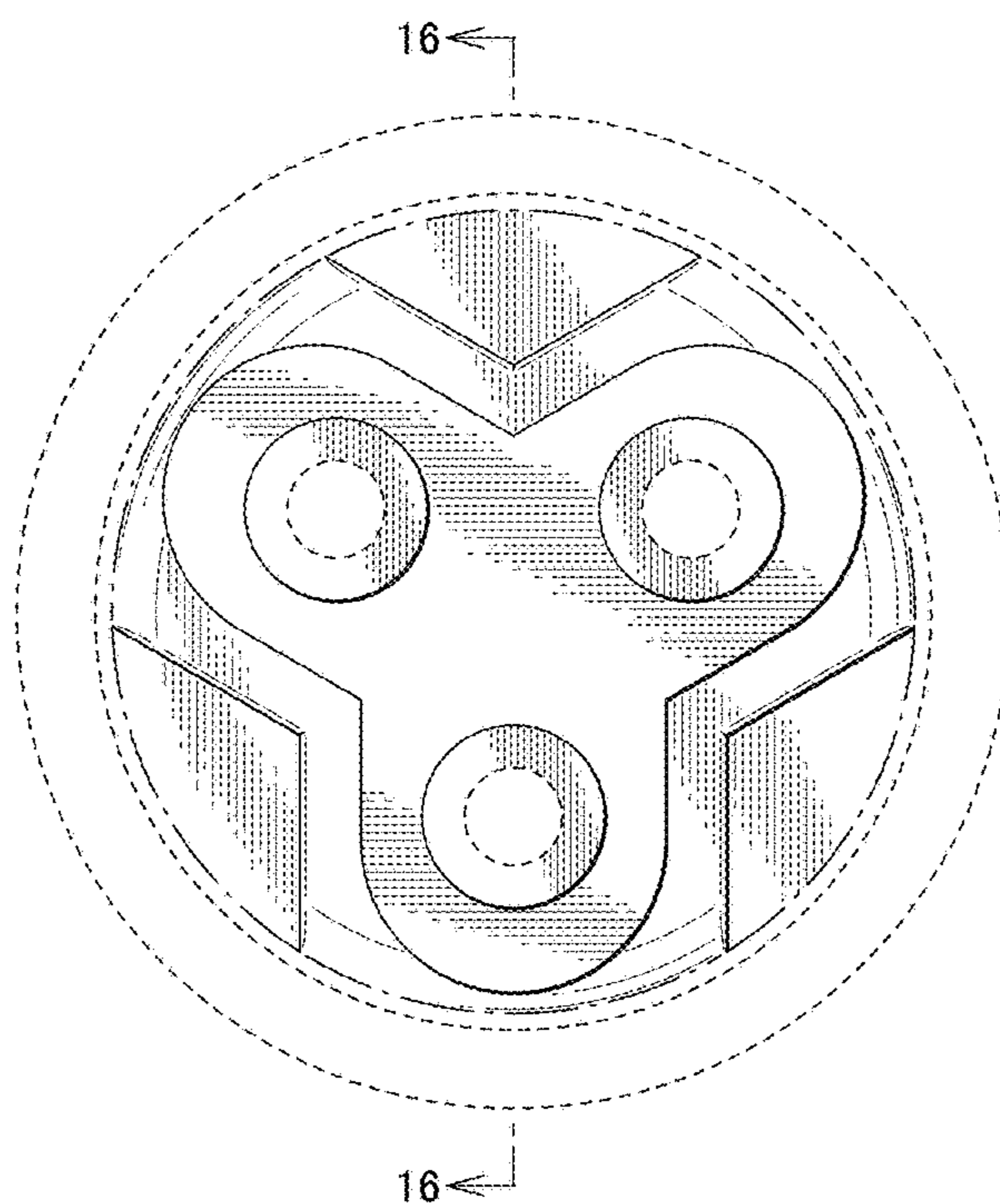


FIG.11

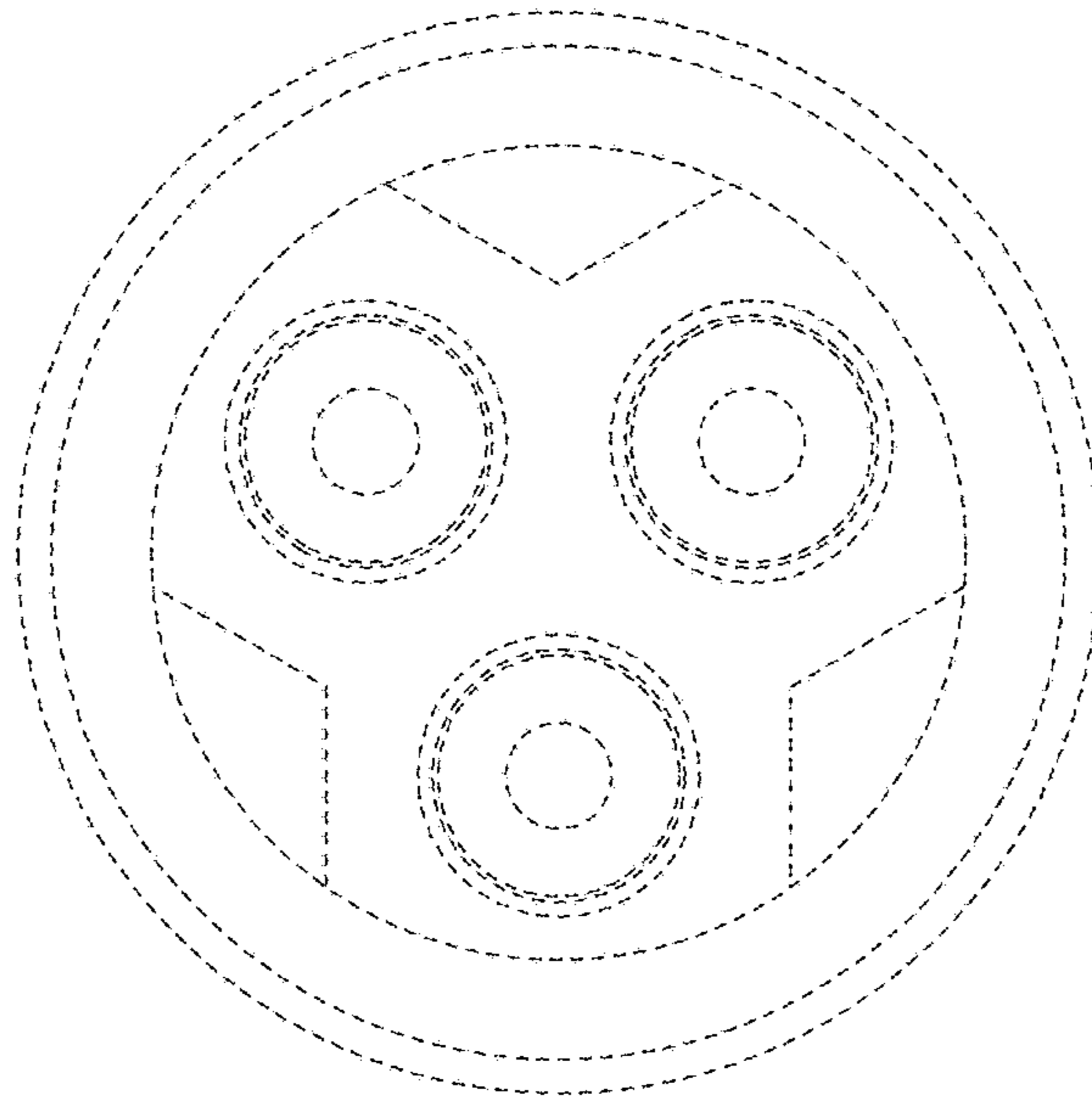


FIG.12

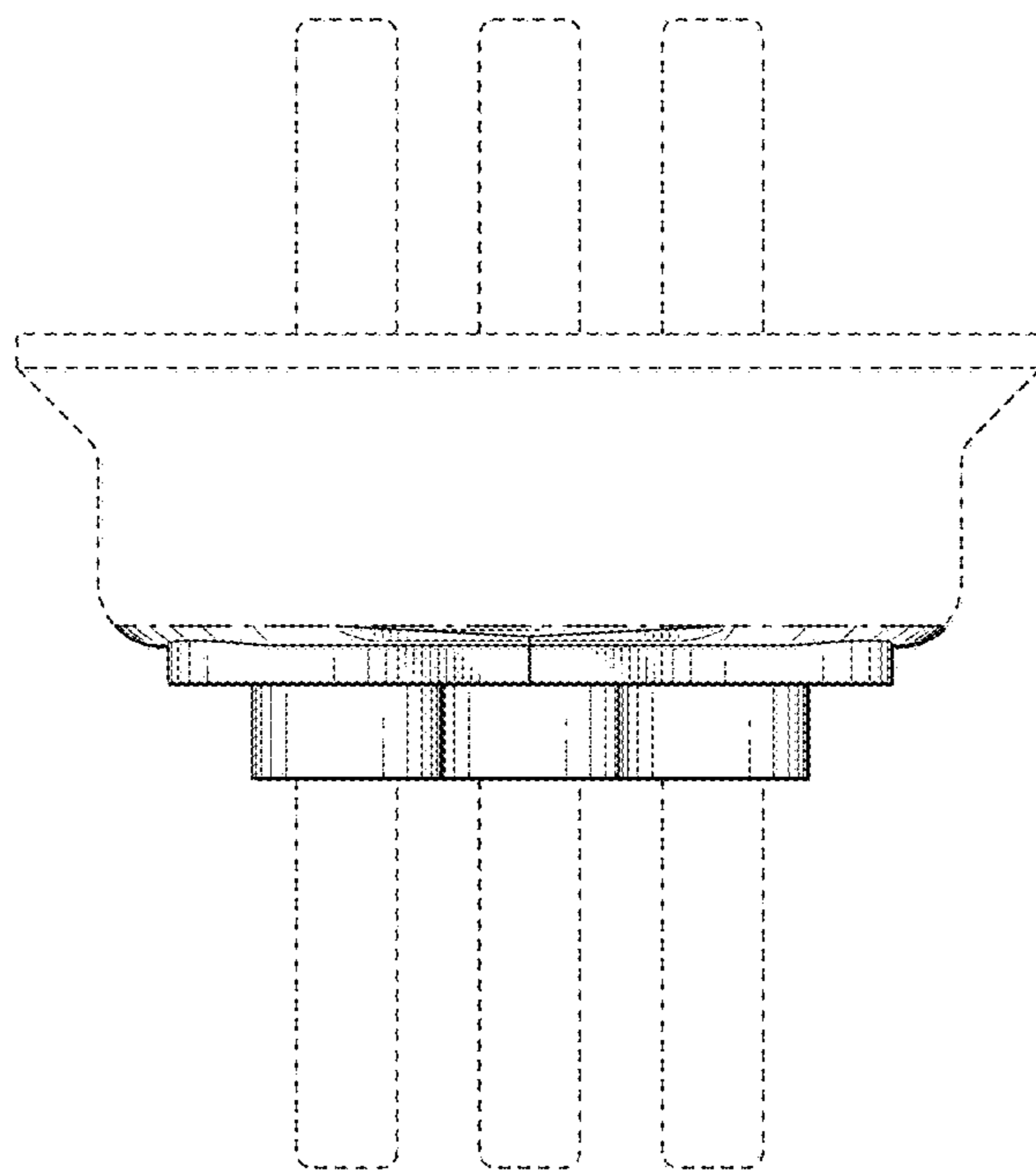


FIG.13

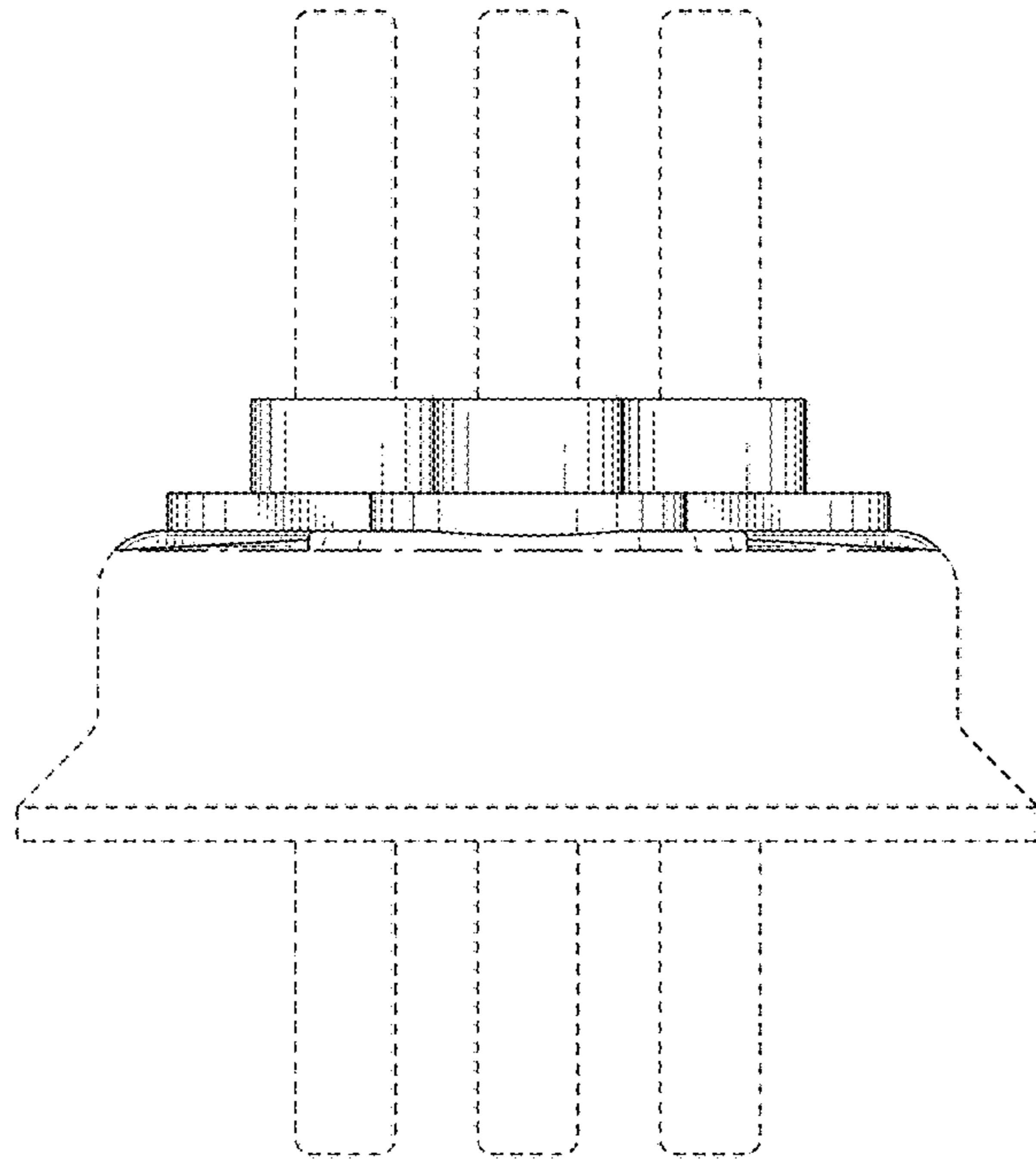


FIG.14

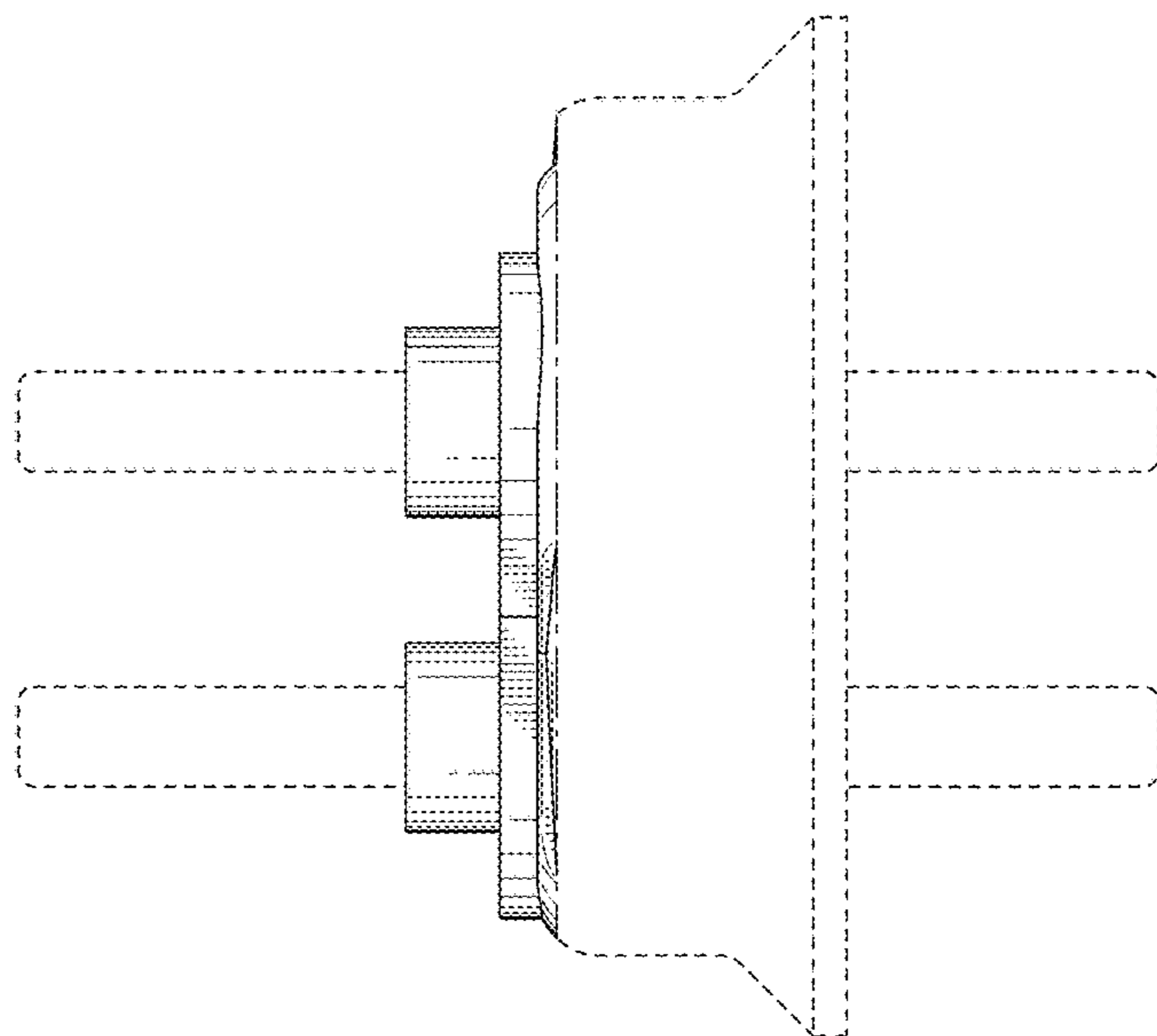


FIG.15

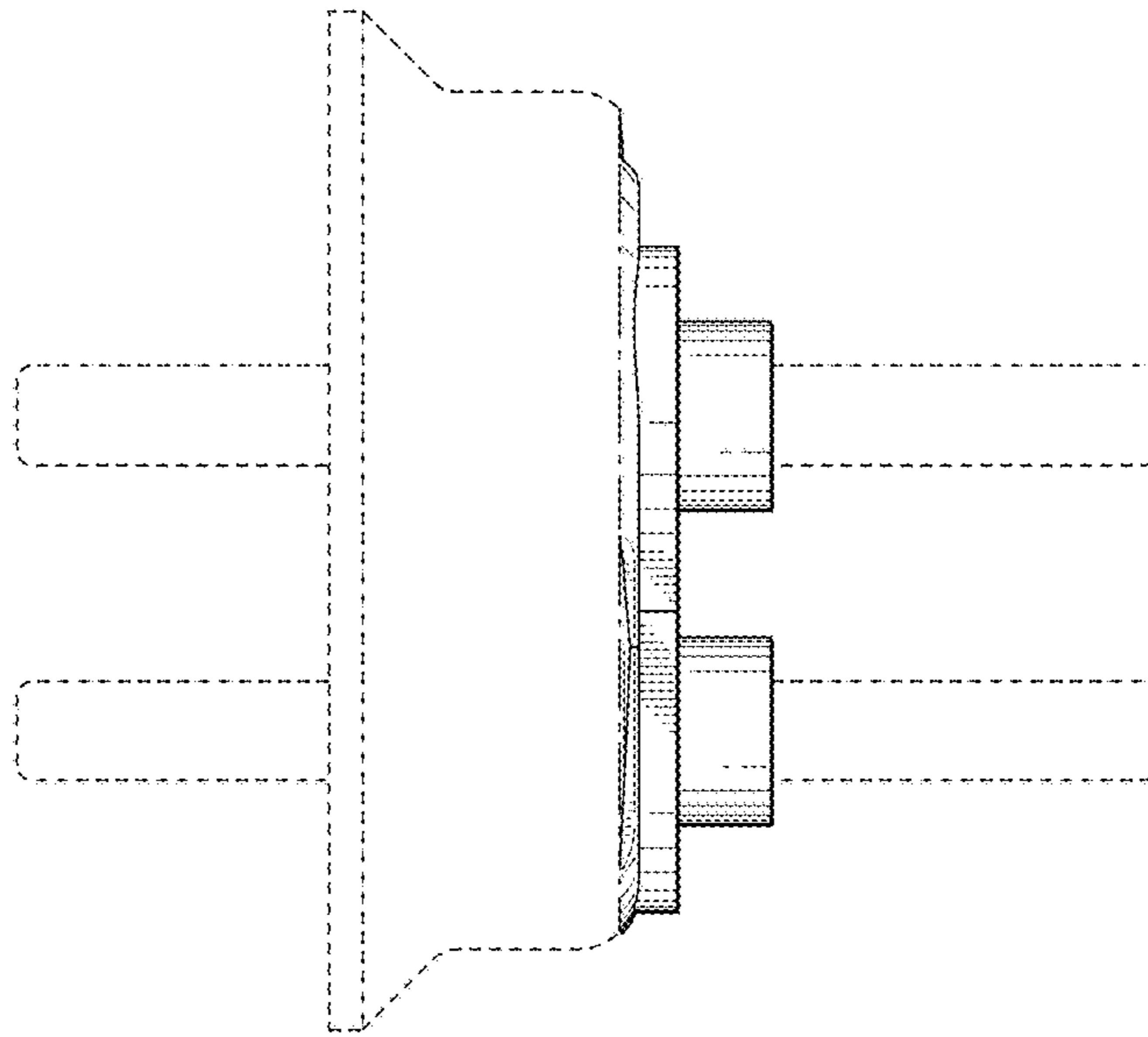


FIG.16

