



US00D852143S

(12) **United States Design Patent** (10) **Patent No.:** **US D852,143 S**  
**Ku** (45) **Date of Patent:** **\*\* Jun. 25, 2019**

(54) **CABLE OUTLET TUBE**  
(71) Applicant: **YFC-BONEAGLE Electric Co., Ltd.,**  
Taoyuan (TW)  
(72) Inventor: **Ying-Ming Ku,** Taoyuan (TW)  
(73) Assignee: **YFC-BONEAGLE ELECTRIC CO.,**  
**LTD.,** Taoyuan (TW)  
(\*\*) Term: **15 Years**

5,639,993 A \* 6/1997 Ideno ..... B60R 16/0222  
174/153 G  
D401,907 S \* 12/1998 Gazerro ..... D13/155  
6,218,625 B1 \* 4/2001 Pulaski ..... B60R 16/0222  
174/153 G  
6,627,817 B1 \* 9/2003 Kortenbach ..... H02G 3/083  
174/541  
7,141,744 B2 \* 11/2006 Cloutier ..... A47B 21/06  
174/650  
D663,698 S \* 7/2012 Allwood ..... D13/155  
D758,974 S \* 6/2016 Ferguson ..... D13/155  
9,806,510 B2 \* 10/2017 Trapassi ..... H02G 3/0493

\* cited by examiner

(21) Appl. No.: **29/578,636**  
(22) Filed: **Sep. 23, 2016**  
(51) **LOC (11) Cl.** ..... **13-03**  
(52) **U.S. Cl.**  
USPC ..... **D13/155**  
(58) **Field of Classification Search**  
USPC ..... D13/155, 153, 156, 157, 184, 199;  
D8/349, 354, 356, 394, 396  
CPC .. H02G 1/04; H02G 1/02; H02G 1/06; H02G  
3/045; H02G 3/046; H02G 3/0487; H02G  
3/26; H02G 9/06; H02G 5/06; G02B  
6/4452; G02B 6/4459; G02B 6/4478;  
G02B 6/3608  
See application file for complete search history.

*Primary Examiner* — Derrick E Holland  
*Assistant Examiner* — Jennifer O King  
(74) *Attorney, Agent, or Firm* — Chung-Ming Shih;  
HDLS IPR Services

(57) **CLAIM**

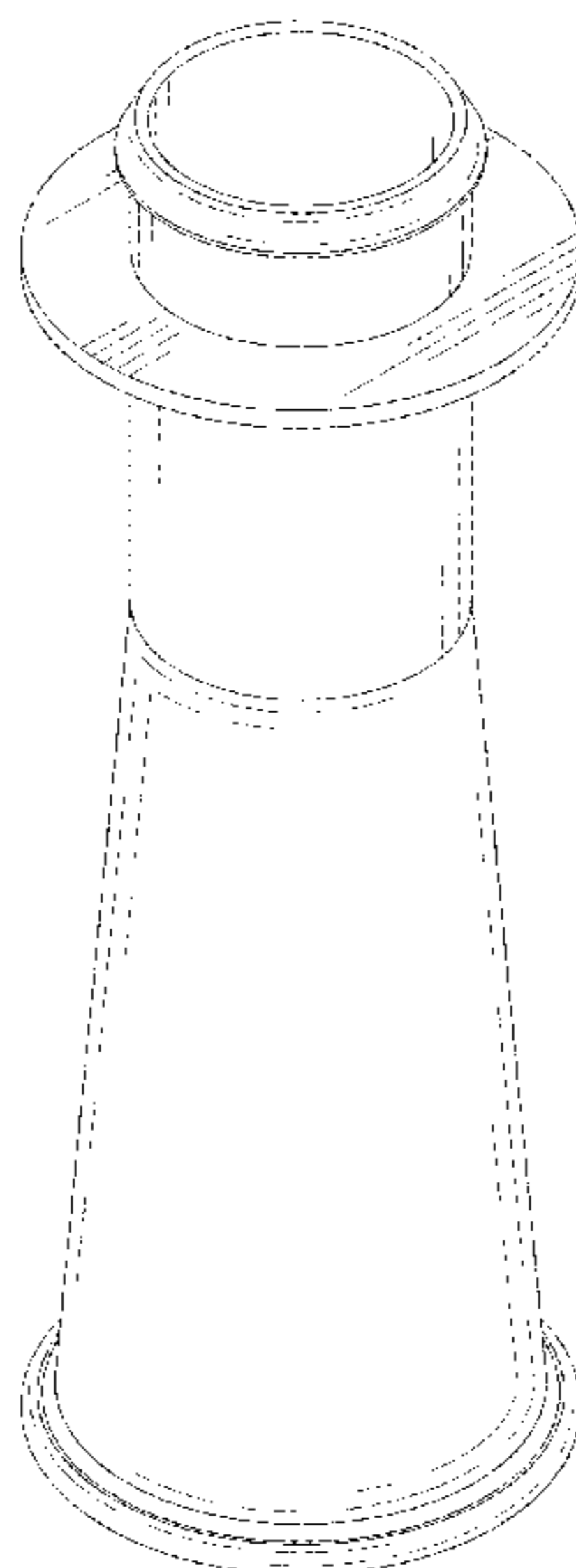
The ornamental design for a cable outlet tube, as shown and described.

**DESCRIPTION**

FIG. 1 is a perspective view of a cable outlet tube showing our new design;  
FIG. 2 is a front view thereof;  
FIG. 3 is a rear view thereof;  
FIG. 4 is a left side view thereof;  
FIG. 5 is a right side view thereof;  
FIG. 6 is a top view thereof;  
FIG. 7 is a bottom view thereof; and  
FIG. 8 is a cross-sectional view taken along the line A-A of FIG. 6; and,  
FIG. 9 is a perspective view showing the cable outlet tube in use for reference.  
The broken lines shown represent portions of the cable outlet tube that form no part of the claimed design.

(56) **References Cited**  
U.S. PATENT DOCUMENTS  
3,052,450 A \* 9/1962 Trunnell ..... H02G 1/08  
254/134.3 FT  
3,160,394 A \* 12/1964 Hunter ..... H05K 13/0007  
254/134.3 R  
3,514,048 A \* 5/1970 Lowery ..... B65H 57/12  
242/157 R  
4,132,665 A \* 1/1979 Nelson ..... H02G 1/08  
254/134.3 R  
5,300,734 A \* 4/1994 Suzuki ..... H01R 13/56  
174/135

**1 Claim, 9 Drawing Sheets**



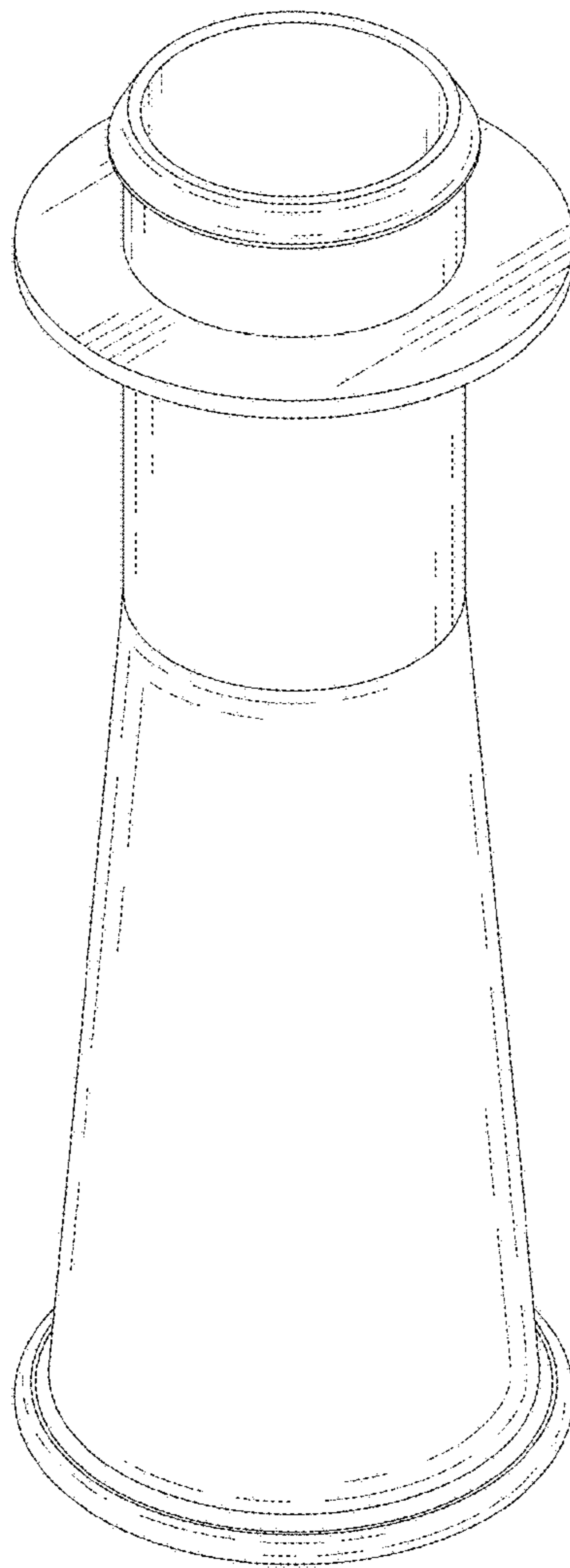


FIG. 1

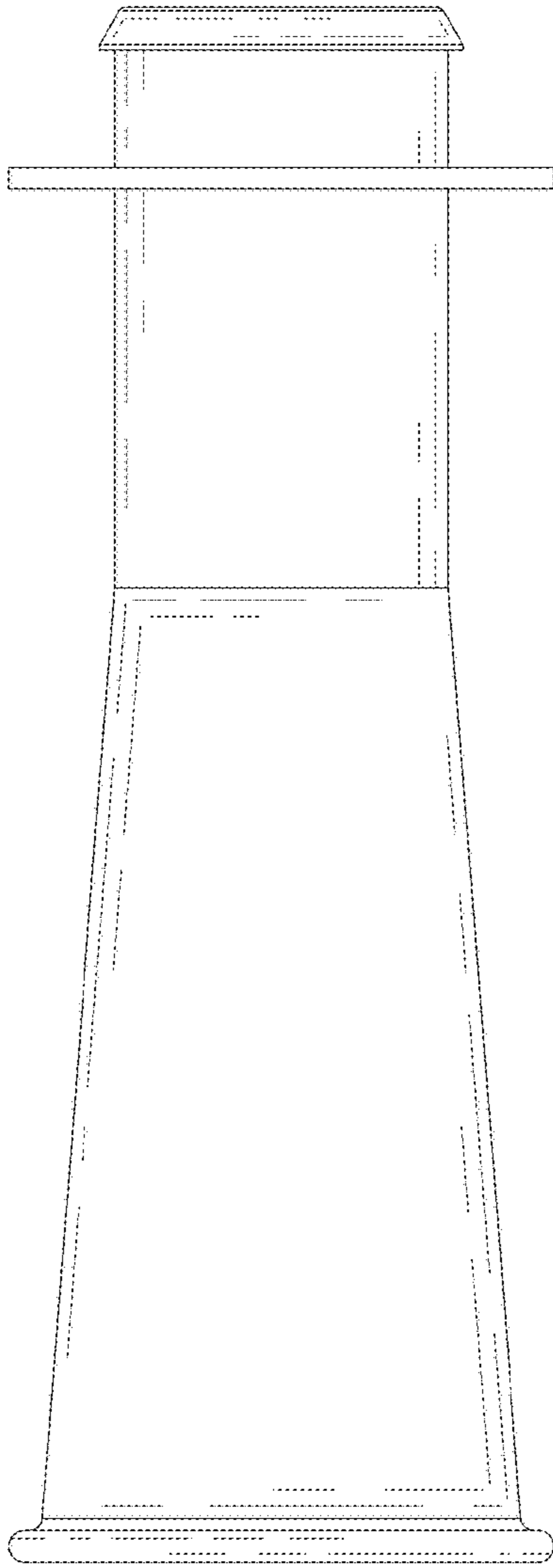


FIG.2

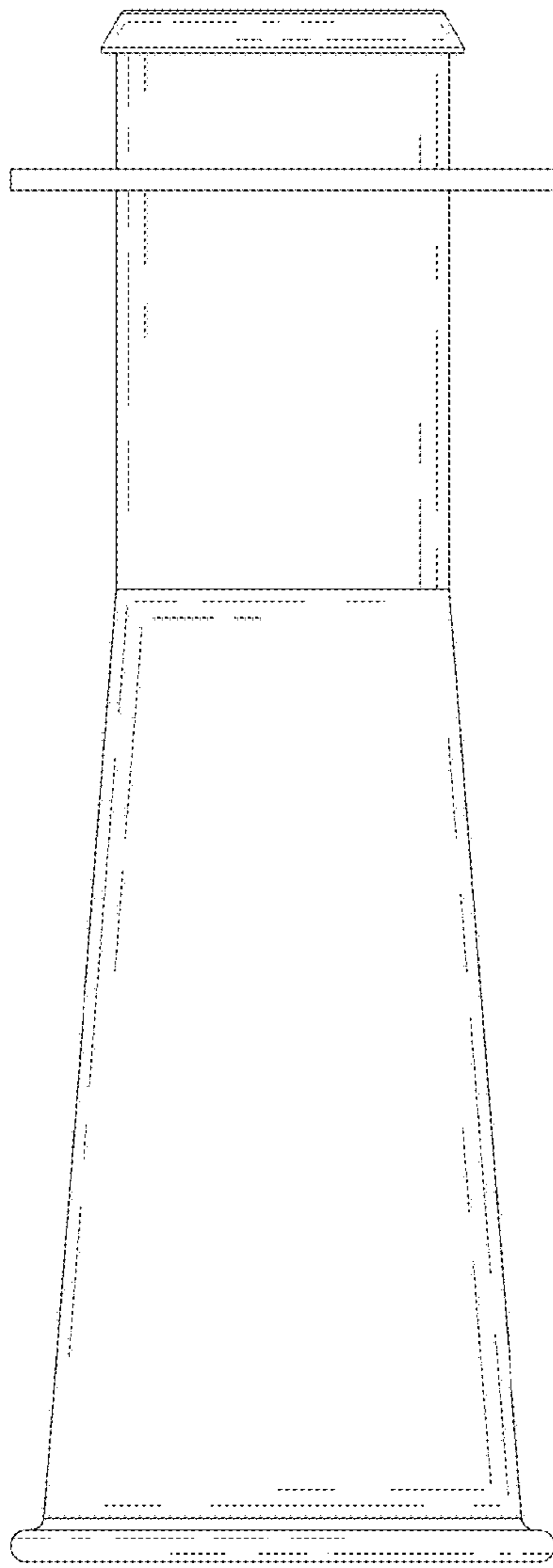


FIG.3

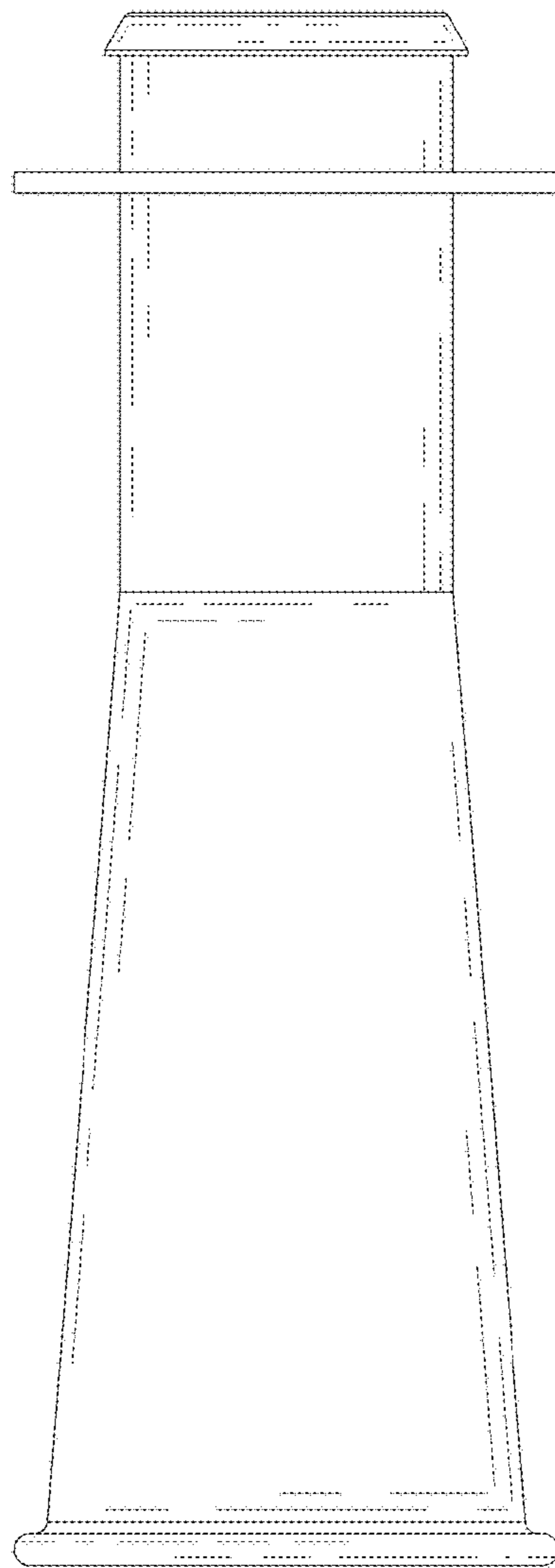


FIG.4

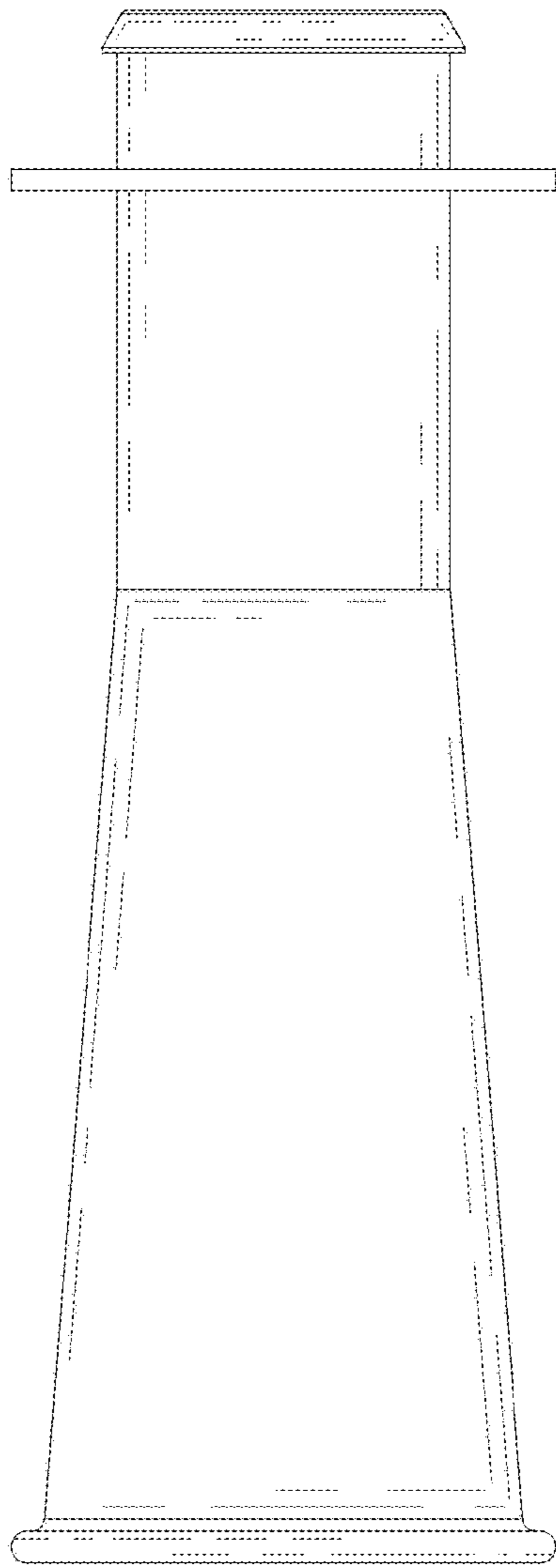


FIG.5

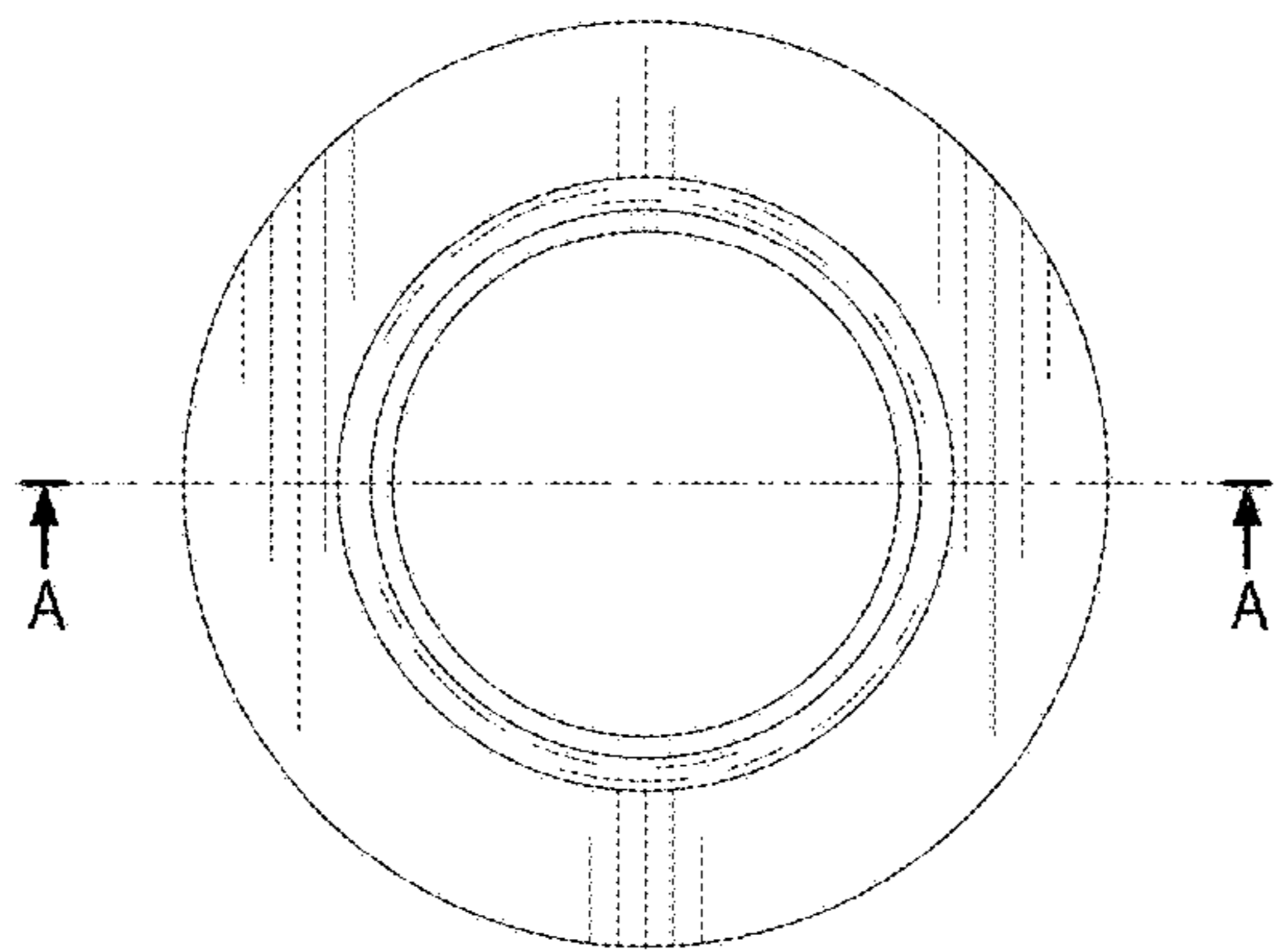


FIG.6

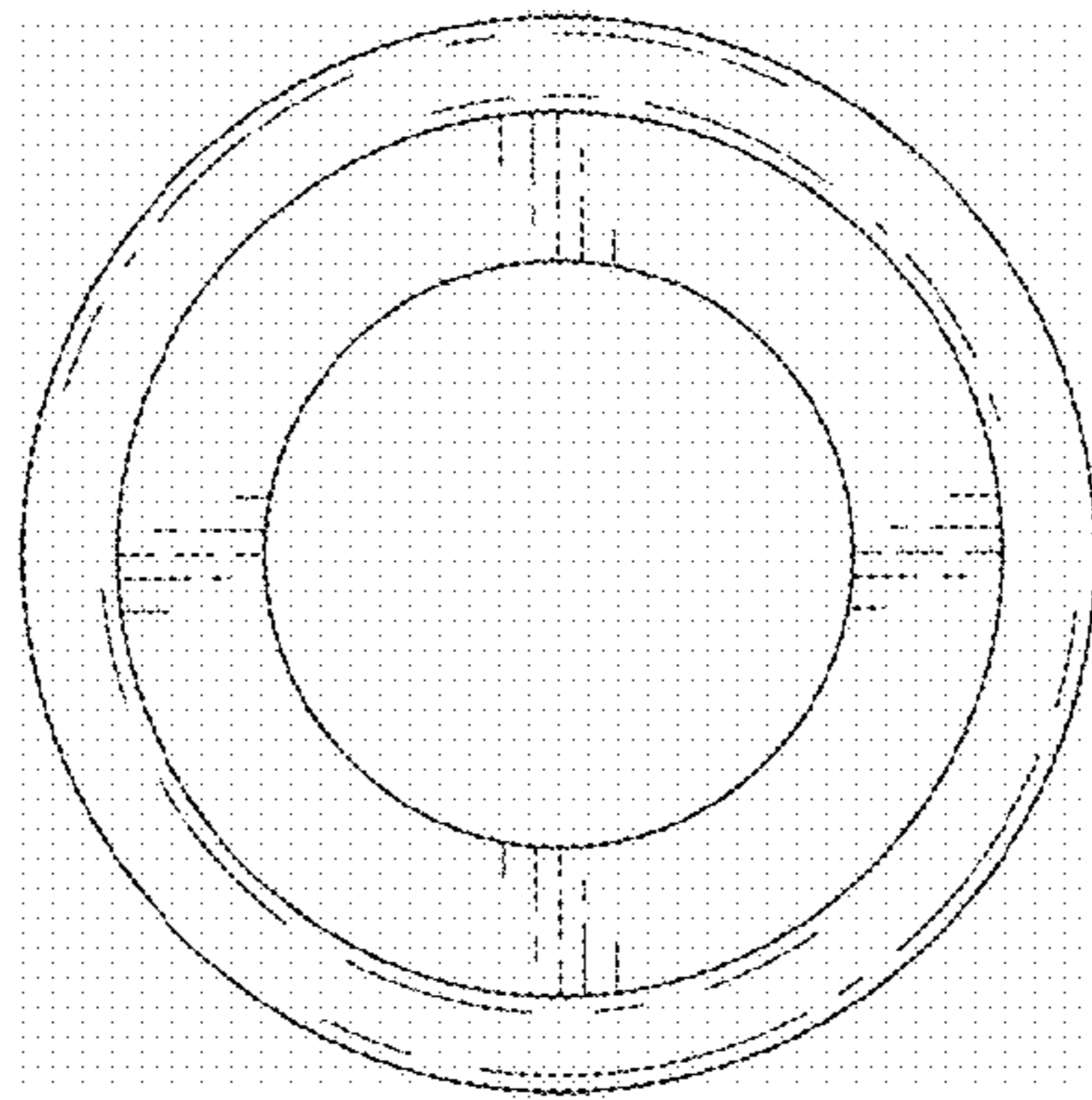


FIG.7



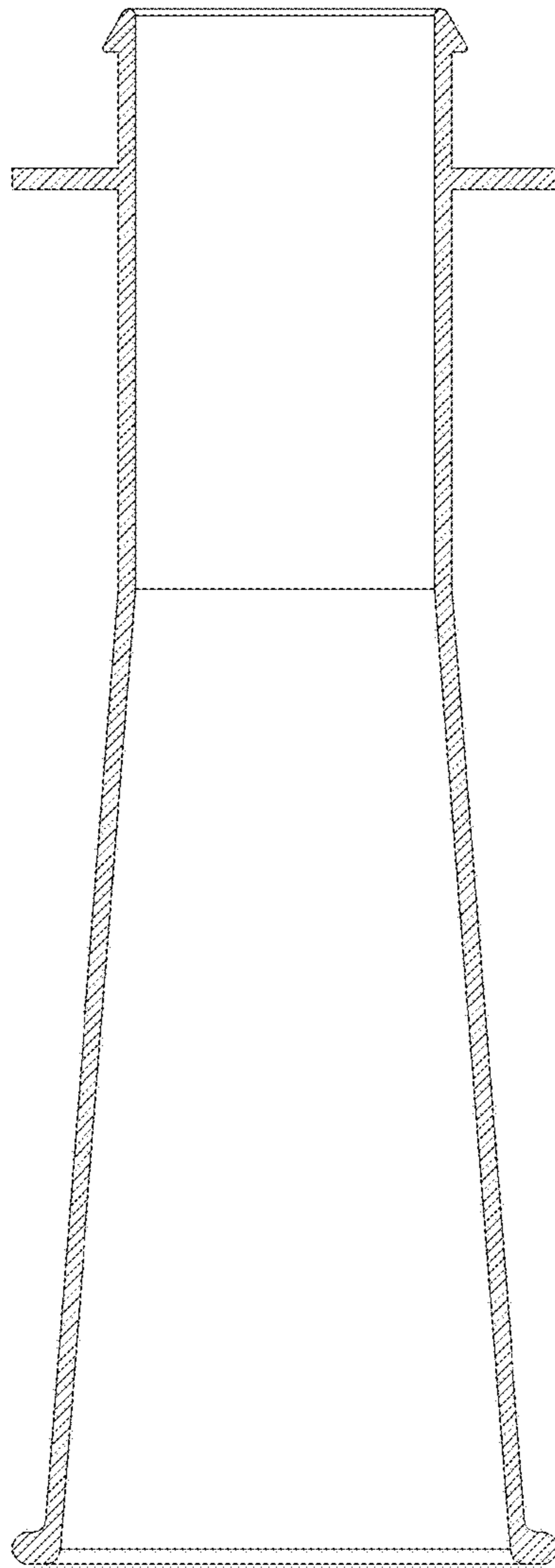


FIG.8

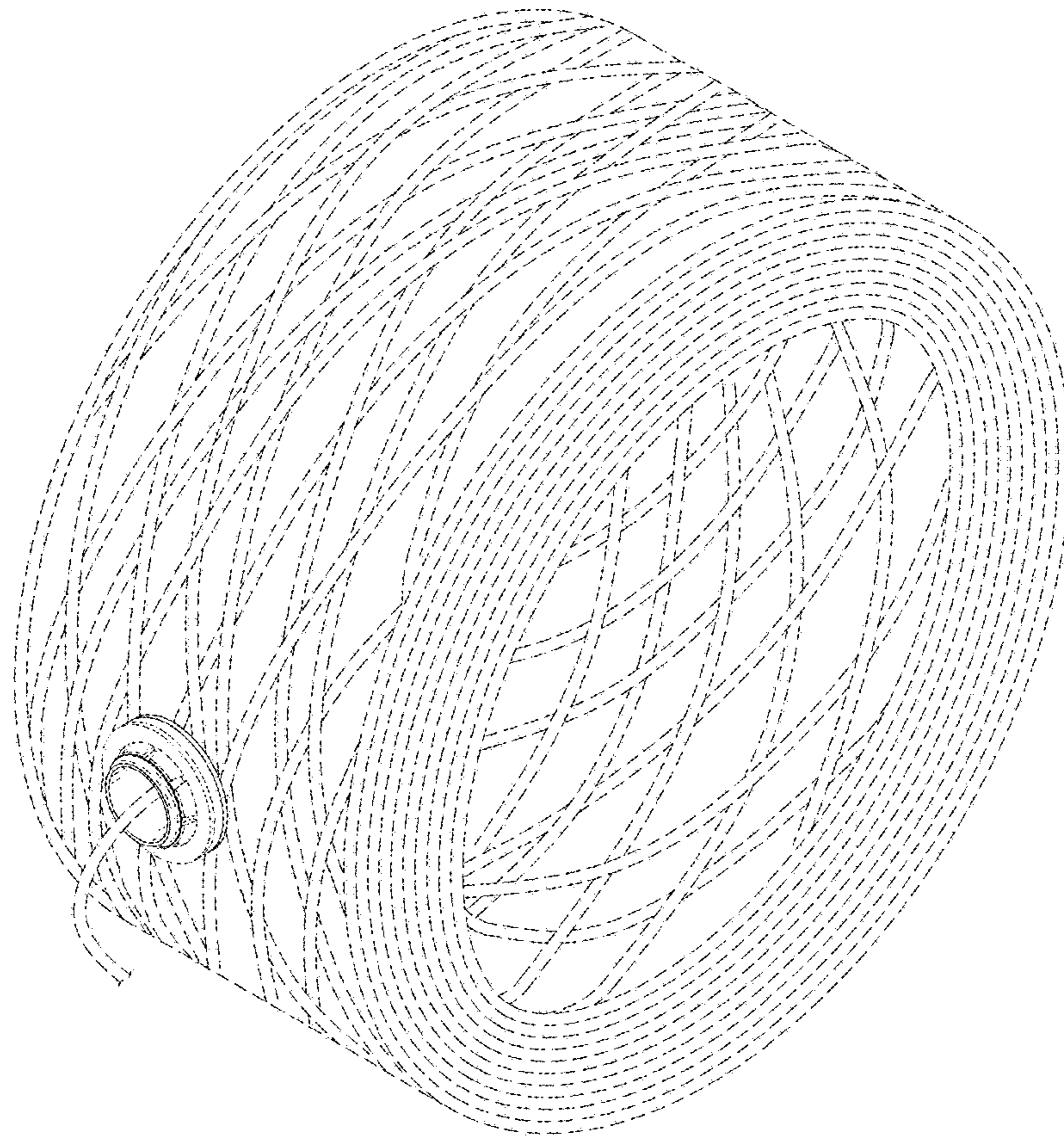


FIG.9