



US00D852141S

(12) **United States Design Patent** (10) **Patent No.:** **US D852,141 S**  
**Krantz et al.** (45) **Date of Patent:** **\*\* Jun. 25, 2019**

(54) **CONTACT CONFIGURATION**  
(71) Applicant: **Goal Zero LLC**, Bluffdale, UT (US)  
(72) Inventors: **Norman L. Krantz**, Draper, UT (US);  
**Henry J. Howell**, Herriman, UT (US)  
(73) Assignee: **GOAL ZERO LLC**, Bluffdale, UT  
(US)  
(\*\*) Term: **15 Years**

D753,059 S \* 4/2016 Krantz ..... D13/110  
9,312,706 B2 4/2016 Workman et al.  
9,362,766 B2 6/2016 Workman et al.  
9,385,351 B2 7/2016 Workman et al.  
D813,162 S \* 3/2018 Krantz ..... D13/110  
2016/0013673 A1\* 1/2016 Workman ..... H01R 13/5202  
320/114  
2016/0013675 A1 1/2016 Workman et al.  
2018/0059758 A1\* 3/2018 Boatner ..... G06K 7/10881  
2018/0069358 A1\* 3/2018 Miller ..... H02J 7/0042  
2018/0166836 A1\* 6/2018 Fritz ..... G06F 3/16

(21) Appl. No.: **29/572,636**  
(22) Filed: **Jul. 28, 2016**  
(51) **LOC (11) Cl.** ..... **13-03**  
(52) **U.S. Cl.**  
USPC ..... **D13/146**; D13/147  
(58) **Field of Classification Search**  
USPC ..... D13/101, 102, 118, 184, 199; D26/67,  
D26/68, 69, 70, 87, 93  
CPC ..... H02J 7/0042; H02J 7/0045; H02J 7/0052;  
H01R 31/06; H01R 24/38; H01L 31/042;  
H01L 31/045; H01L 31/046; H01L  
31/048; H01L 31/05; H01L 31/052; H01L  
31/0525; H02S 30/00; H02S 20/10; H02S  
20/23; H02S 20/30; H02S 40/34; H02S  
40/44; F24J 2/52; F03G 6/00  
See application file for complete search history.

(56) **References Cited**  
U.S. PATENT DOCUMENTS  
D419,546 S \* 1/2000 Krantz ..... D14/426  
D600,000 S 9/2009 Horito et al.  
D629,746 S 12/2010 Workman et al.  
D651,564 S 1/2012 Workman et al.  
D693,765 S 11/2013 Workman et al.  
D697,028 S 1/2014 Workman et al.  
9,024,570 B2 5/2015 Workman et al.

**OTHER PUBLICATIONS**

U.S. Appl. No. 29/513,754, filed Jan. 5, 2015, Goal Zero LLC.  
U.S. Appl. No. 29/550,562, filed Jan. 5, 2016, Goal Zero LLC.  
U.S. Appl. No. 61/483,515, filed May 6, 2011, Workman, et al.  
U.S. Appl. No. 61/584,011, filed Jan. 6, 2012, Workman et al.  
U.S. Appl. No. 62/022,631, filed Jul. 9, 2014, Workman et al.

\* cited by examiner

*Primary Examiner* — Daniel D Bui  
(74) *Attorney, Agent, or Firm* — Foley & Lardner LLP

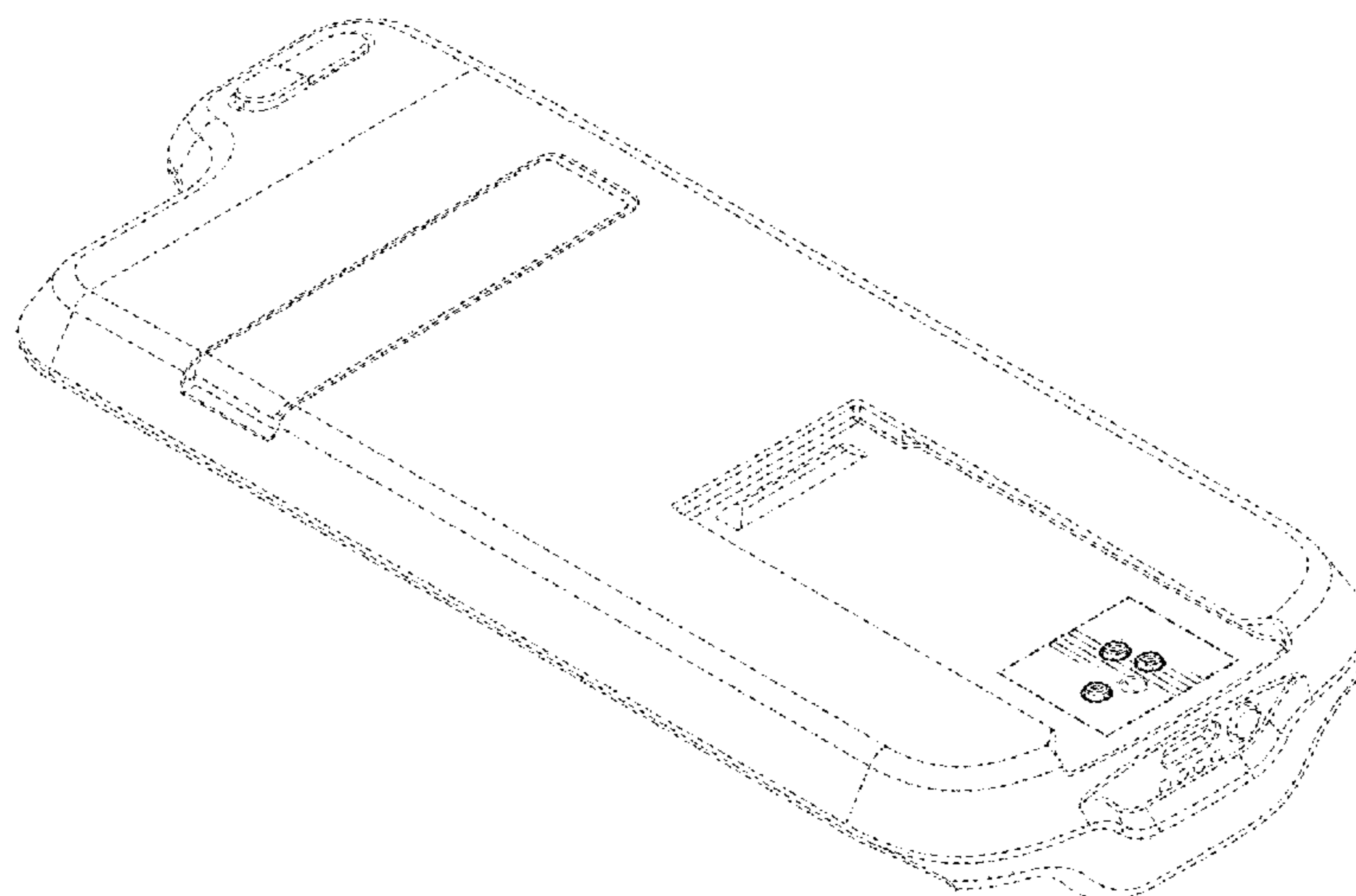
(57) **CLAIM**

We claim the ornamental design for a contact configuration, as shown and described.

**DESCRIPTION**

FIG. 1 is a front perspective view of a contact configuration showing our new design; and, FIG. 2 is a front elevation view thereof. Any portion of the contact configuration depicted in broken lines forms no part of the claimed design. Broken lines formed by equal length dashes show unclaimed portions of the design. Broken lines formed of unequal length dashes (i.e., dash-dot) show boundaries between claimed and unclaimed portions of the design.

**1 Claim, 2 Drawing Sheets**



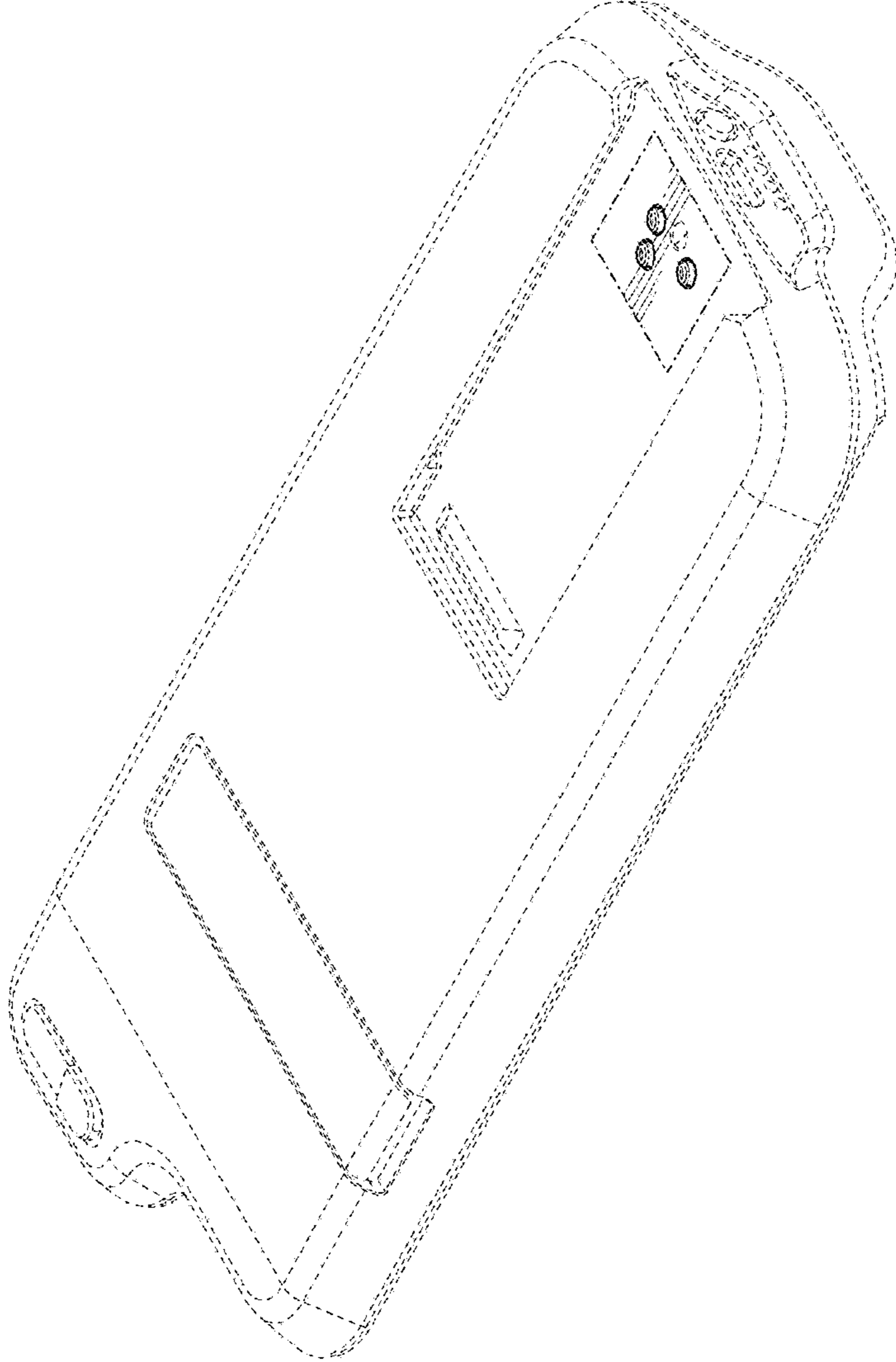


FIG. 1

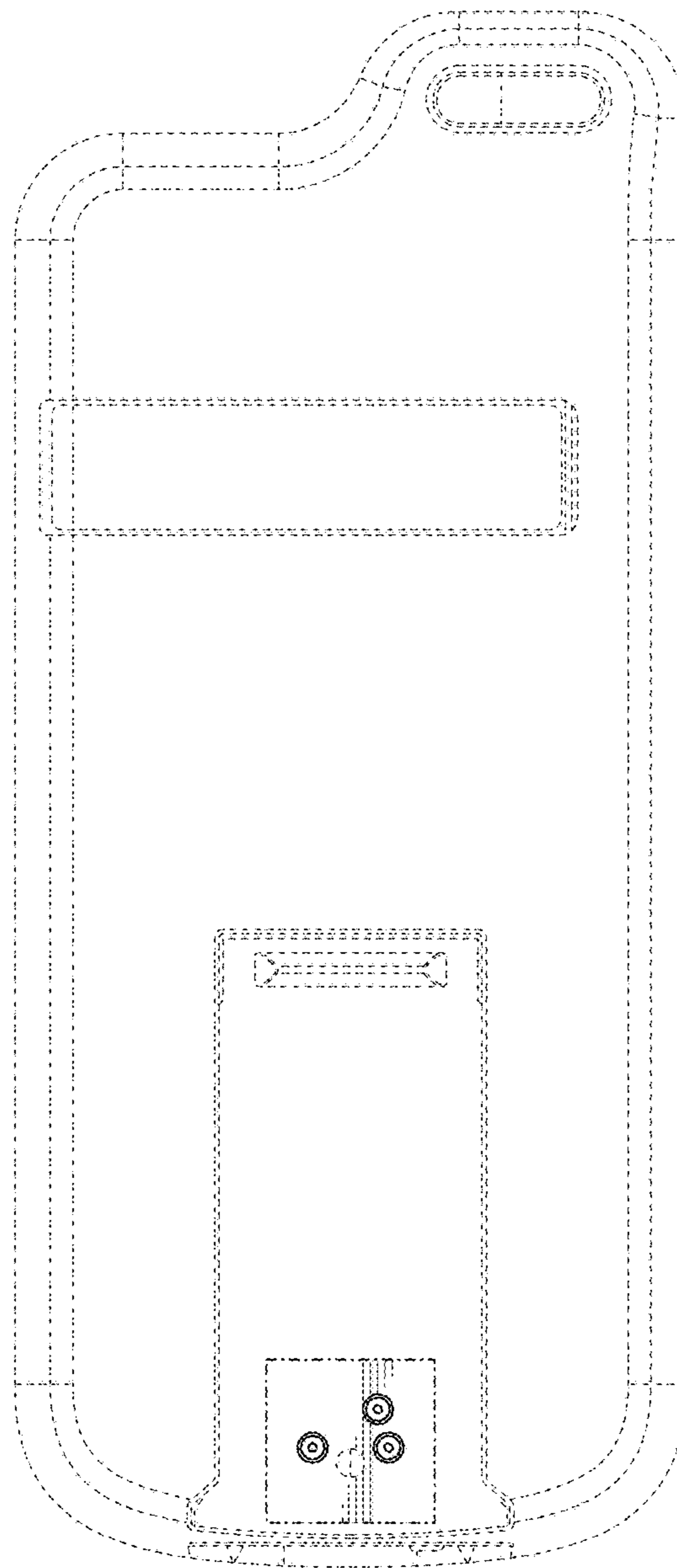


FIG. 2