



US00D852140S

(12) **United States Design Patent**
Chen

(10) **Patent No.:** **US D852,140 S**
(45) **Date of Patent:** **** Jun. 25, 2019**

- (54) **SMART PLUG**
- (71) Applicant: **Cai Chen**, Guangdong (CN)
- (72) Inventor: **Cai Chen**, Guangdong (CN)
- (73) Assignee: **Shenzhen Cuco Smart Technology Co., Ltd**, Shenzhen, Guangdong (CH)
- (**) Term: **15 Years**
- (21) Appl. No.: **29/635,099**
- (22) Filed: **Jan. 27, 2018**
- (51) **LOC (11) Cl.** **13-03**
- (52) **U.S. Cl.**
USPC **D13/137.2**
- (58) **Field of Classification Search**
USPC D13/108, 110, 123, 133, 137.1–137.4,
D13/138.1–138.2, 139.1–139.8, 152, 154;
D14/433
CPC .. H01R 25/00; H01R 25/006; H01R 13/6675;
H01R 13/10; H01R 13/44; H01R 13/66;
H01R 13/652; H01R 31/065; H01R
31/00; H01R 11/00; H01R 9/00; H01H
2207/00; H01H 2207/022
See application file for complete search history.

- D692,825 S * 11/2013 Izen D13/108
- D820,212 S * 6/2018 Stern D13/137.2
- D825,458 S * 8/2018 Nauroy D13/108

OTHER PUBLICATIONS

Amazon.com: VinKoo Smart Plug. Published Apr. 23, 2018. Retrieved from the internet at <https://www.amazon.com/VinKoo-Individually-Monitoring-Function-Required/dp/B07CLF412Z/>, Jan. 28, 2019. 1 page. (Year: 2018).*

* cited by examiner

Primary Examiner — Rosemary K Tarcza
Assistant Examiner — Christy M Nemeth

(57) **CLAIM**

I claim the ornamental design for a smart plug, as shown and described.

DESCRIPTION

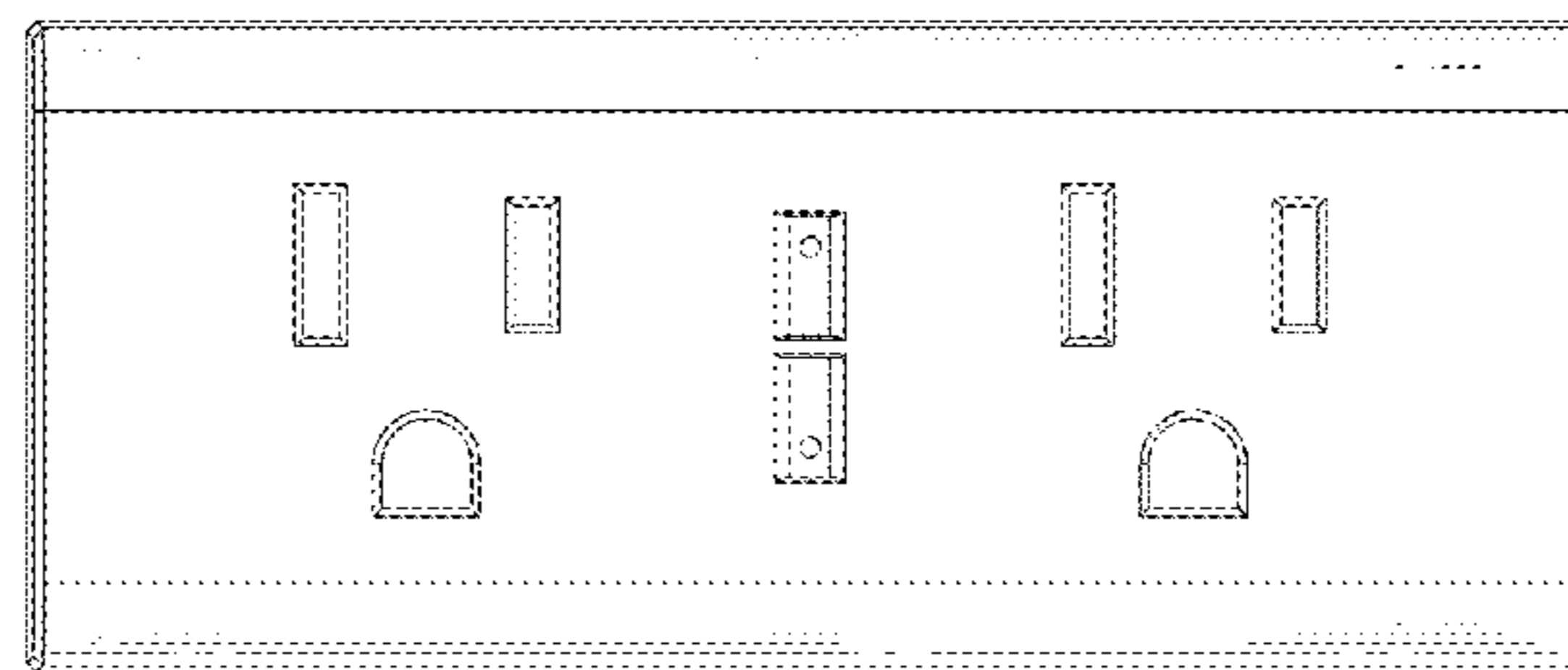
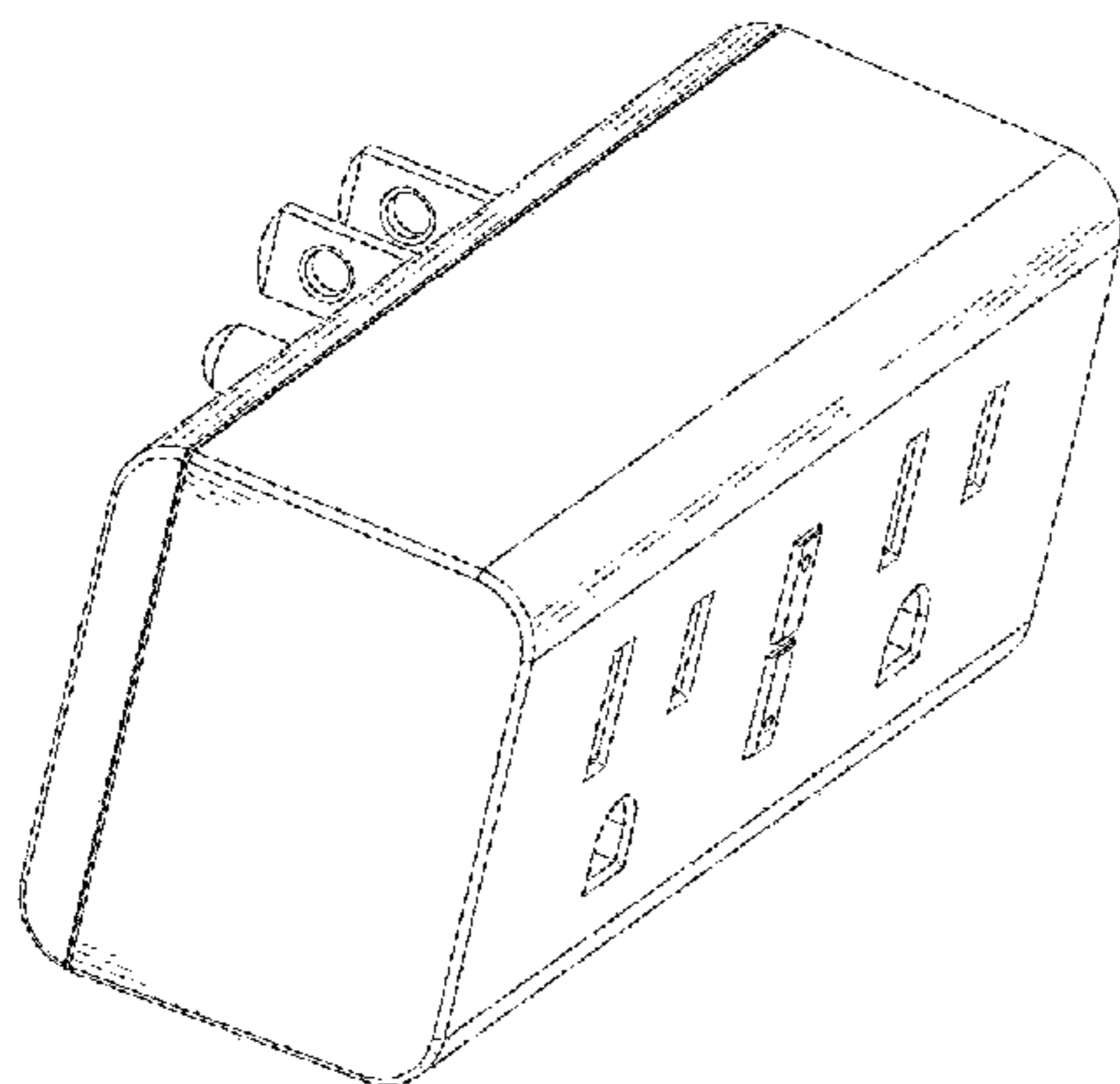
FIG. 1 is a perspective view of a smart plug showing my new design;
FIG. 2 is a front elevational view thereof;
FIG. 3 is a rear elevational view thereof;
FIG. 4 is a left side elevational view thereof;
FIG. 5 is a right side elevational view thereof;
FIG. 6 is a top plan view thereof; and,
FIG. 7 is a bottom plan view thereof.

1 Claim, 7 Drawing Sheets

(56) **References Cited**

U.S. PATENT DOCUMENTS

- D467,873 S * 12/2002 Yu D13/137.2
- D651,974 S * 1/2012 Benedetti D13/137.2



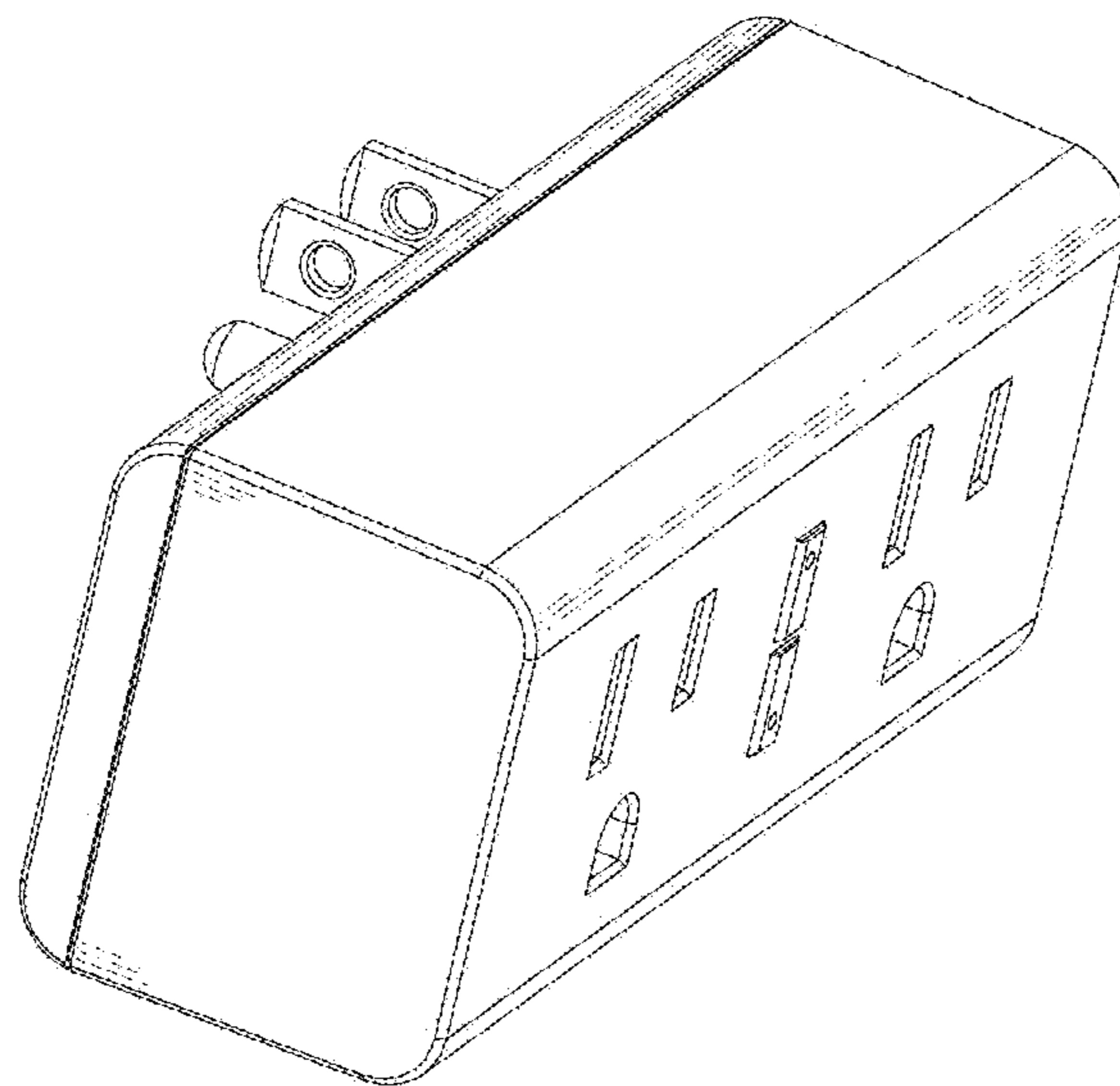


FIG.1

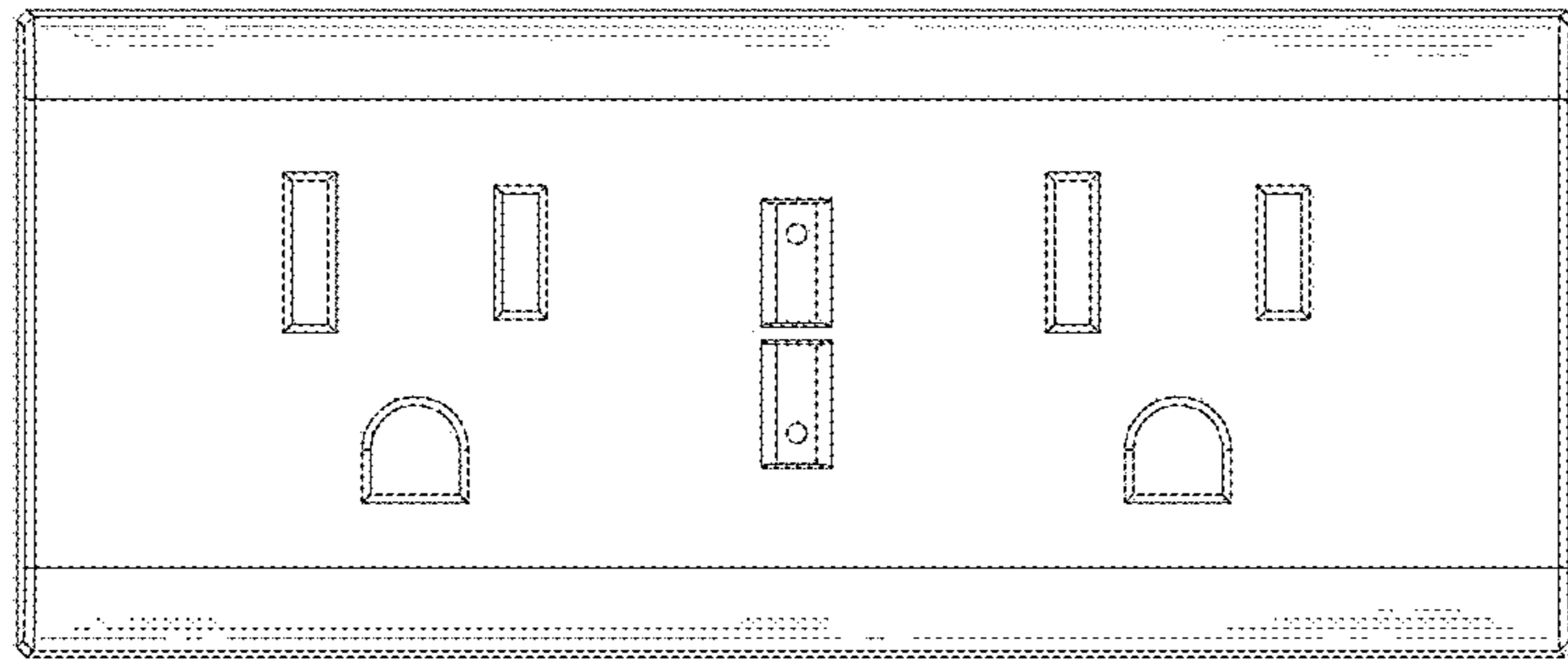


FIG. 2

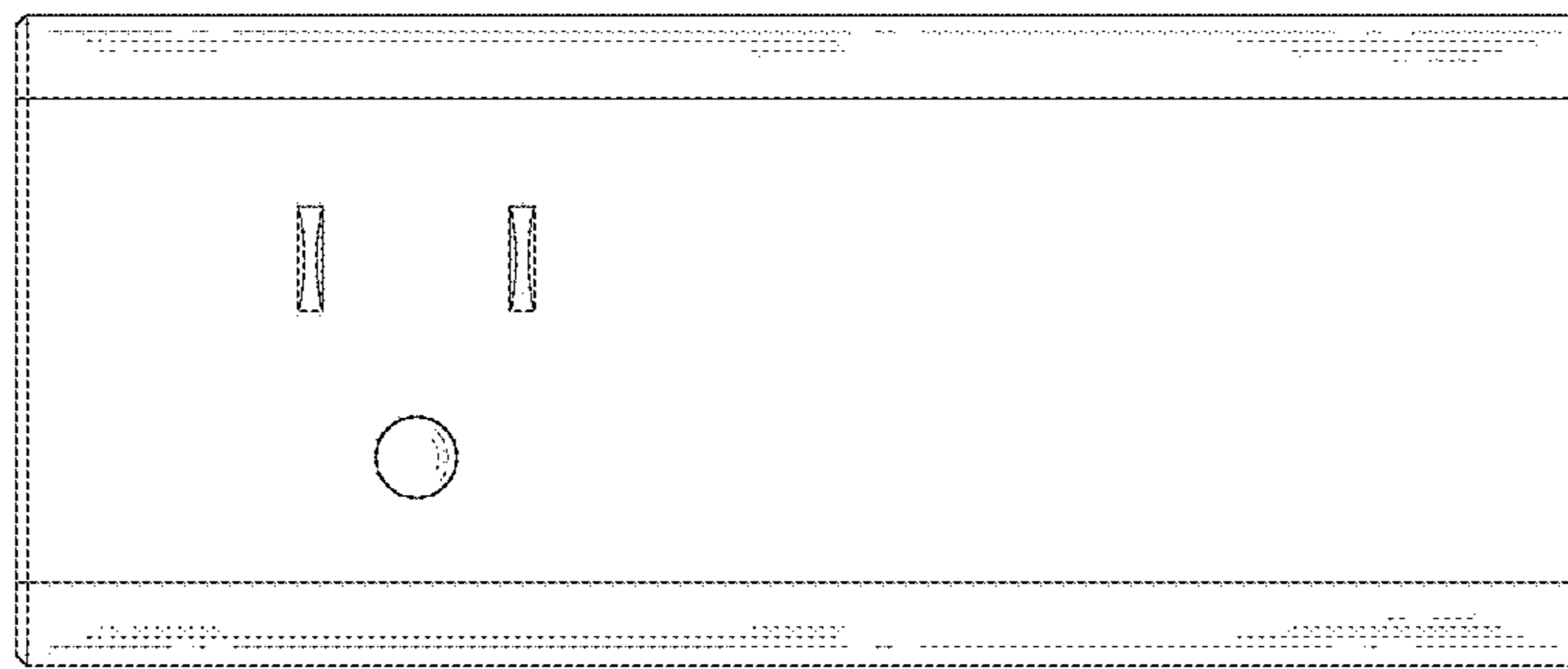


FIG.3

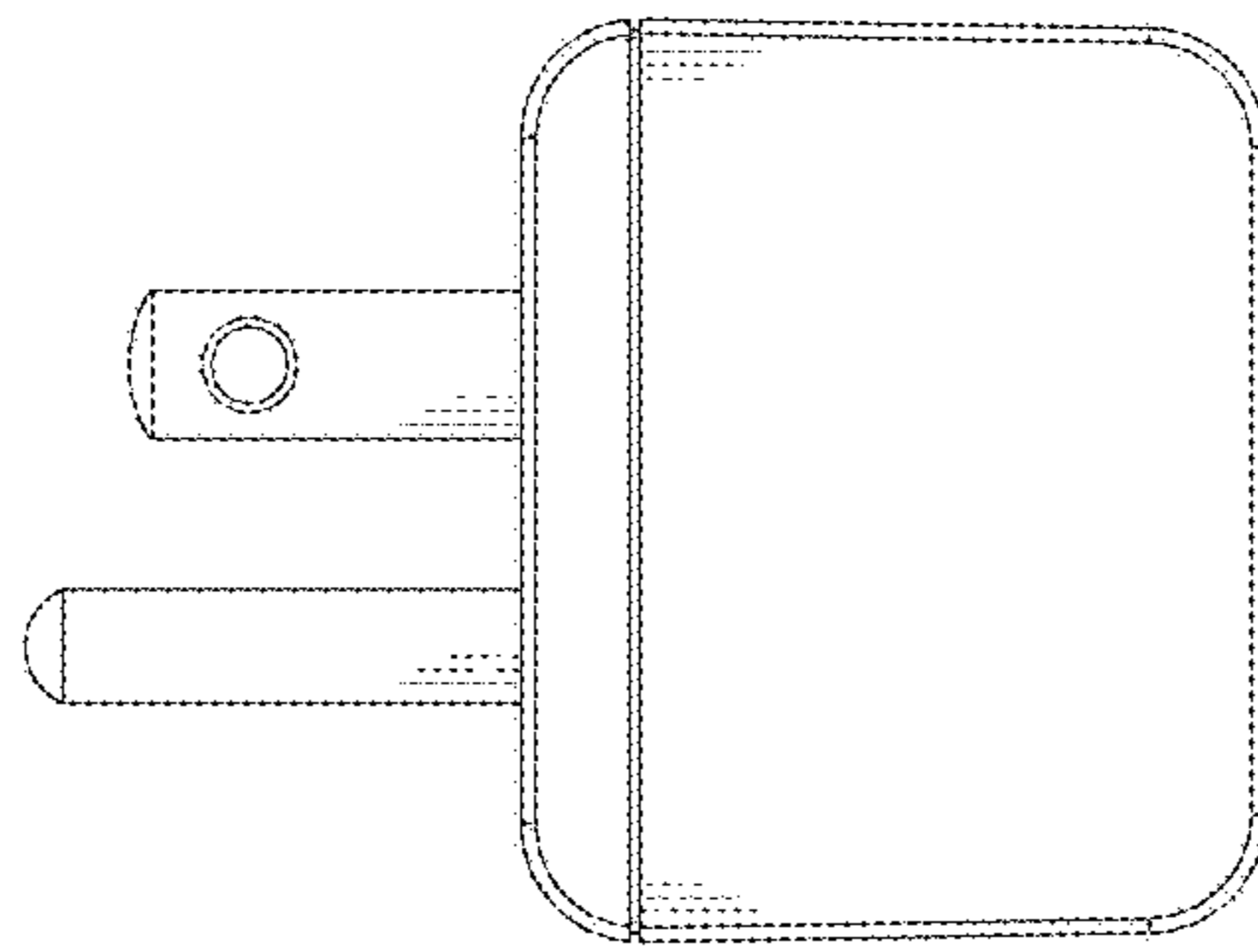


FIG.4

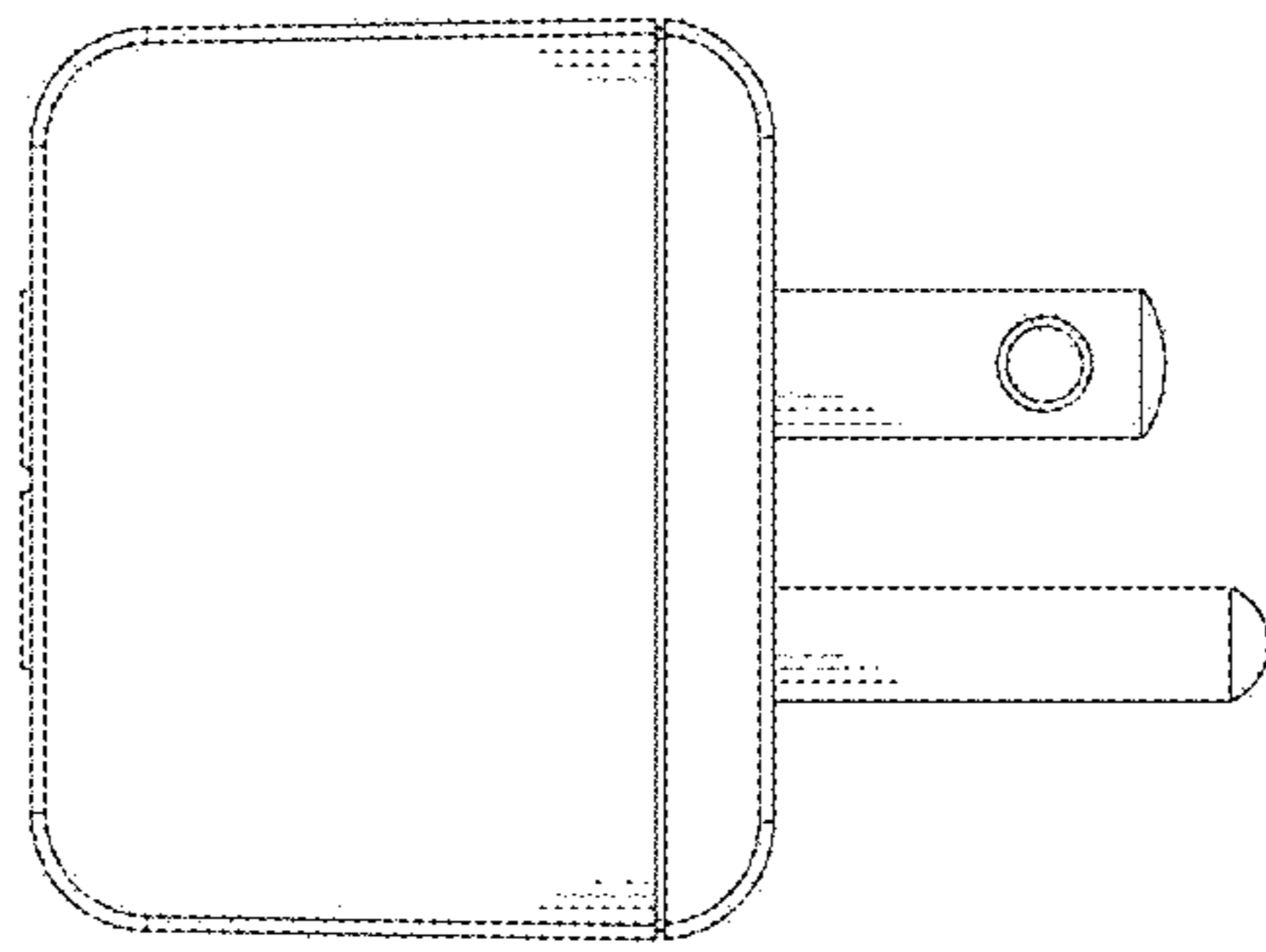


FIG. 5

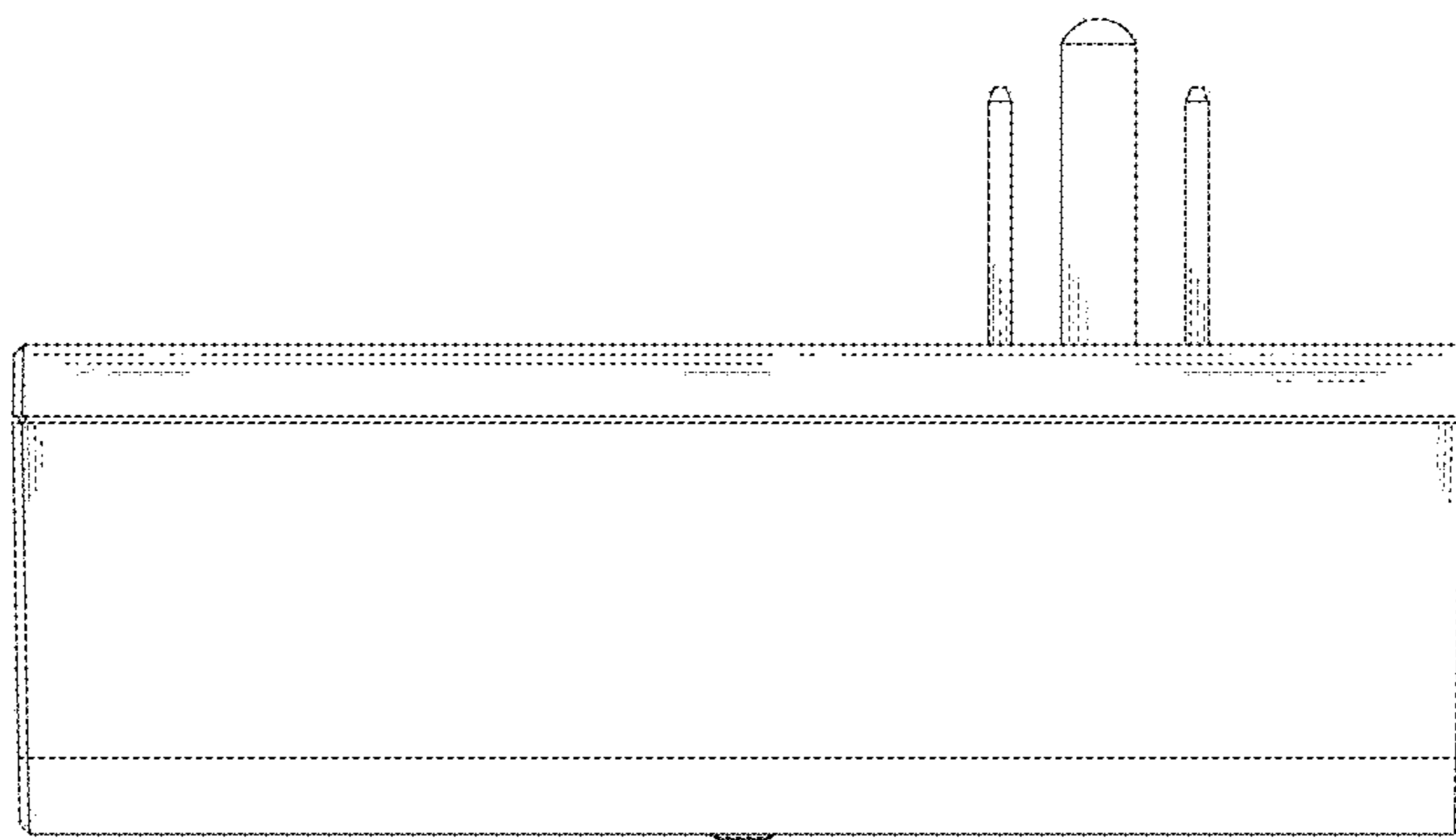


FIG. 6

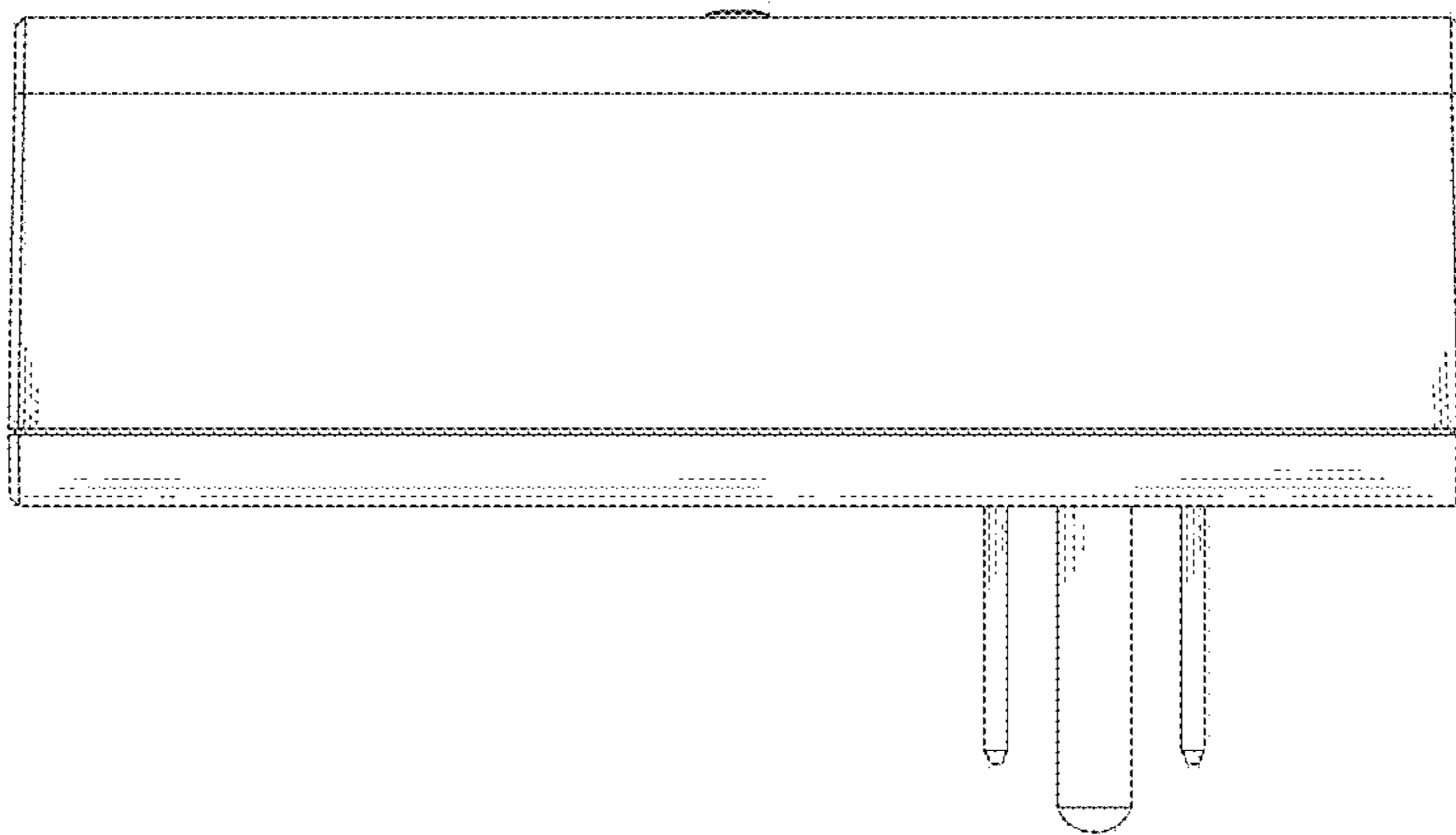


FIG.7