



US00D852139S

(12) **United States Design Patent**
Wen et al.

(10) **Patent No.:** **US D852,139 S**

(45) **Date of Patent:** **** Jun. 25, 2019**

(54) **SMART SOCKET**

(71) Applicants: **Long Wen**, Guangdong (CN); **Xinke Niu**, Guangdong (CN)

(72) Inventors: **Long Wen**, Guangdong (CN); **Xinke Niu**, Guangdong (CN)

(73) Assignee: **Shenzhen BAXIA Technology Co., Ltd.**, Shenzhen, Guangdong (CN)

(**) Term: **15 Years**

(21) Appl. No.: **29/658,366**

(22) Filed: **Jul. 30, 2018**

(51) **LOC (11) Cl.** **13-03**

(52) **U.S. Cl.**
USPC **D13/137.1**

(58) **Field of Classification Search**
USPC D13/137.1-137.4, 110, 152, 162.1;
D26/26; 439/131; 363/146; 324/156
CPC H01R 27/00; G01R 22/10
See application file for complete search history.

(56) **References Cited**

U.S. PATENT DOCUMENTS

5,613,863 A * 3/1997 Klaus H01R 27/00
439/131
6,086,395 A * 7/2000 Lloyd H01R 27/00
363/146
D638,357 S * 5/2011 Sasada D13/110

D695,693 S * 12/2013 Lee D13/152
D700,892 S * 3/2014 Segnit D13/137.2
D756,303 S * 5/2016 Kellenberger D13/137.1
D777,107 S * 1/2017 Ji D13/137.2
D800,077 S * 10/2017 Windstrup D13/162.1
D807,295 S * 1/2018 Xu D13/137.2
D807,827 S * 1/2018 Lu D13/137.2
D808,046 S * 1/2018 Jianting D26/26
D816,614 S * 5/2018 An D13/137.1
D818,952 S * 5/2018 Wilcox D13/110
D819,570 S * 6/2018 Zhong D13/137.1
D832,215 S * 10/2018 Xu D13/137.2
2012/0086437 A1 * 4/2012 Lin G01R 22/10
324/156

* cited by examiner

Primary Examiner — Rhea Shields

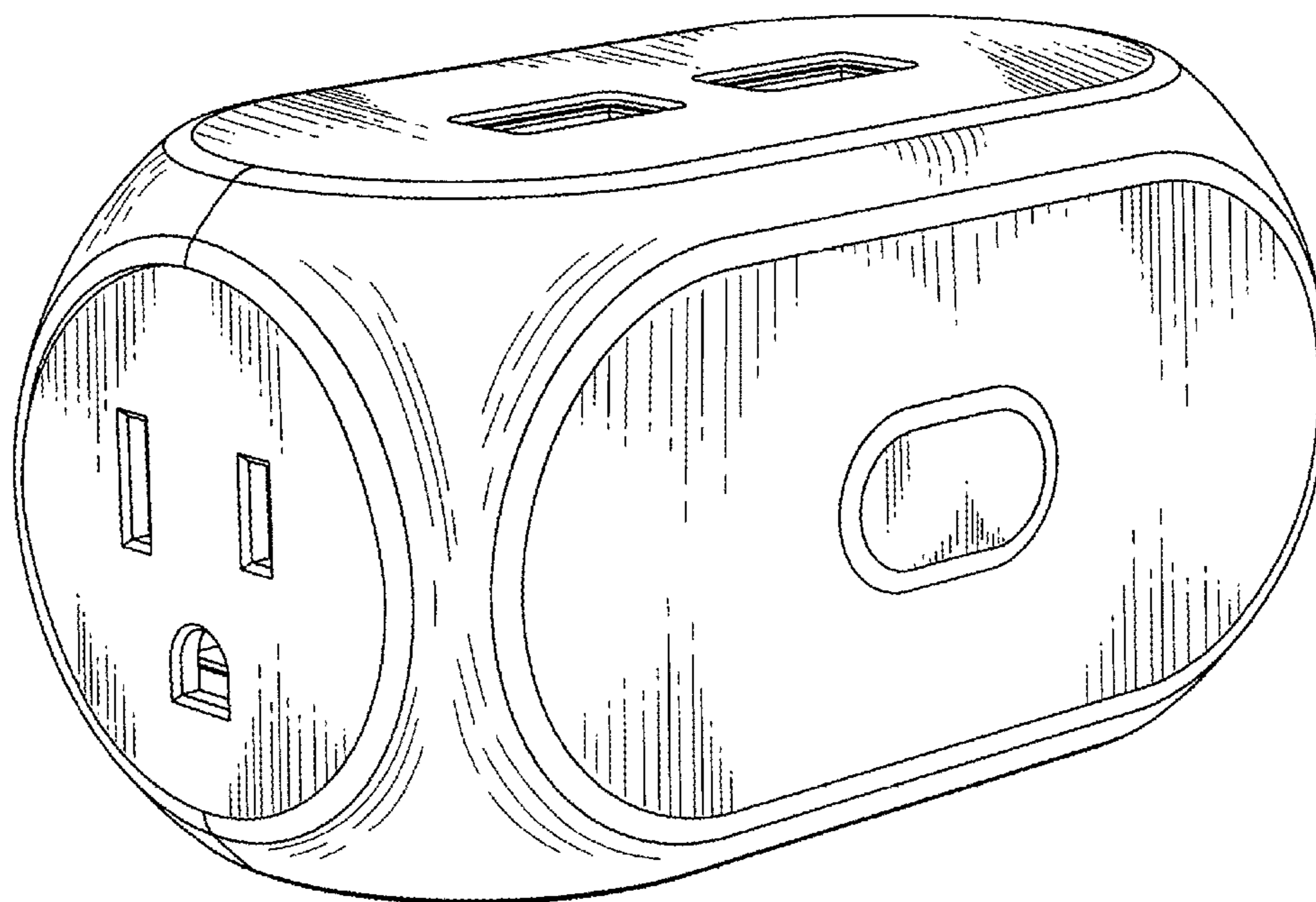
(57) **CLAIM**

We claim the ornamental design for a smart socket, as shown and described.

DESCRIPTION

FIG. 1 is a perspective view of a smart socket showing my new design;
FIG. 2 is a front elevational view thereof;
FIG. 3 is a rear elevational view thereof;
FIG. 4 is a left side elevational view thereof;
FIG. 5 is a right side elevational view thereof;
FIG. 6 is a top plan view thereof; and,
FIG. 7 is a bottom plan view thereof.
The broken lines in the drawings depict portions of the smart socket that form no part of the claimed design.

1 Claim, 7 Drawing Sheets



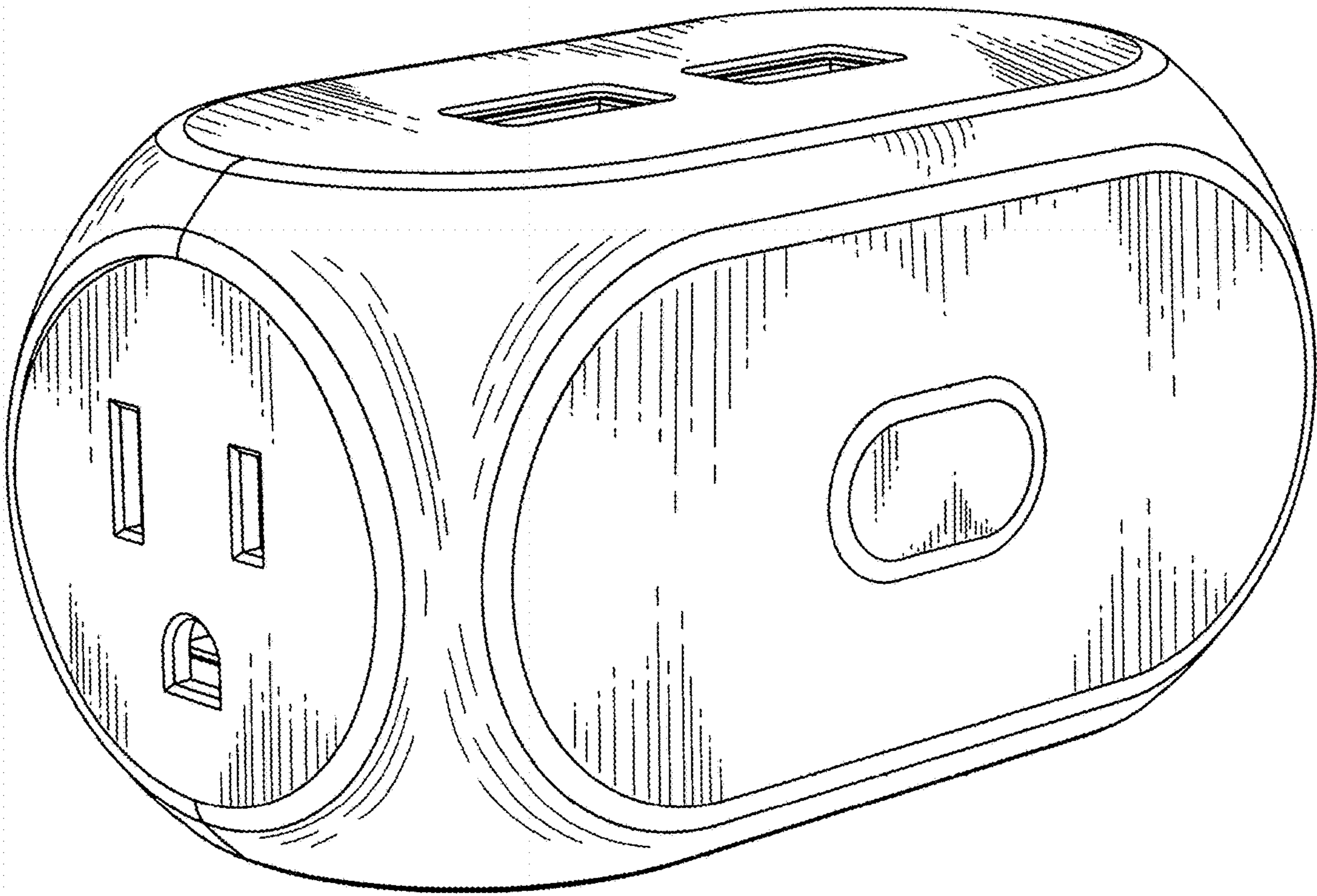


FIG. 1

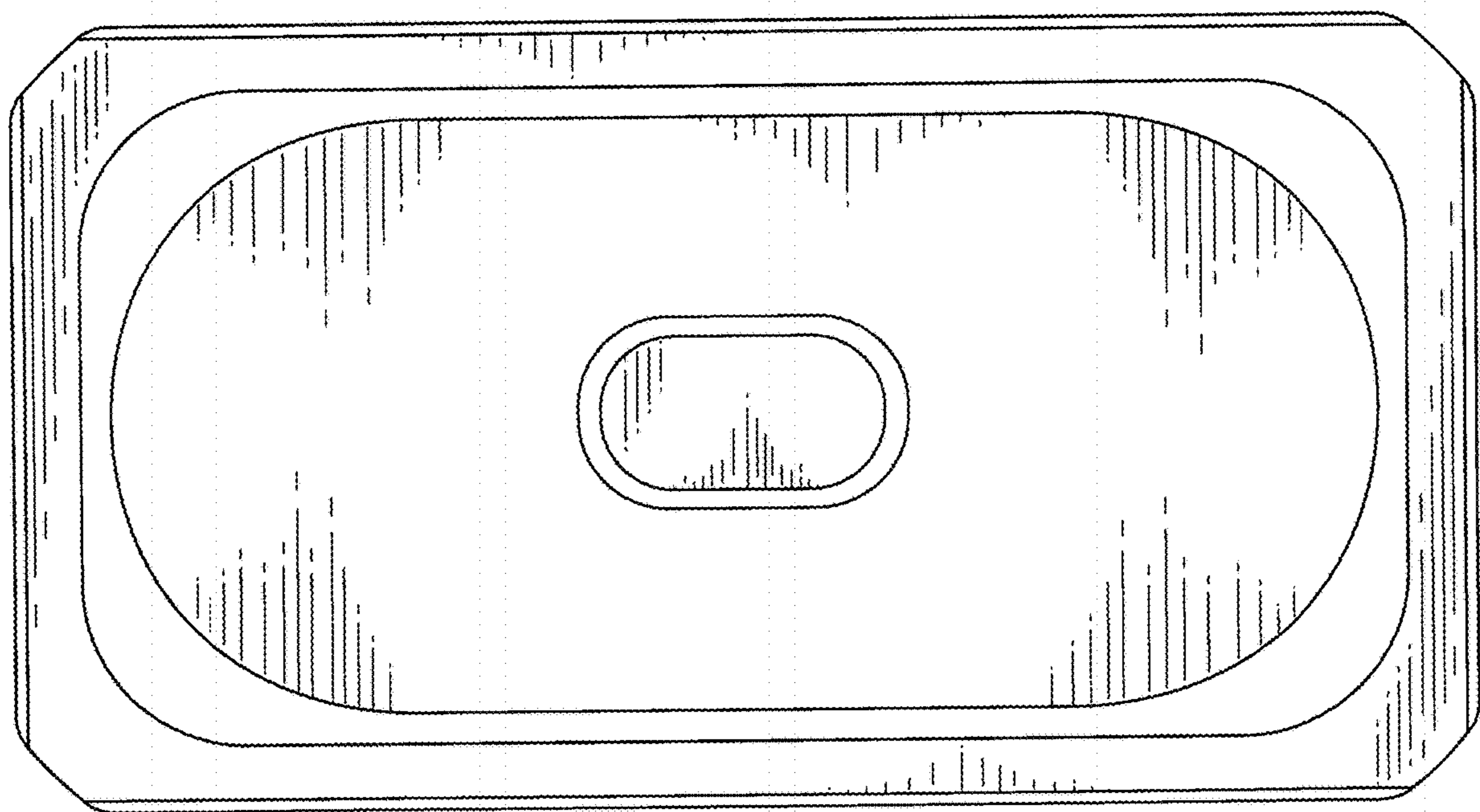


FIG. 2

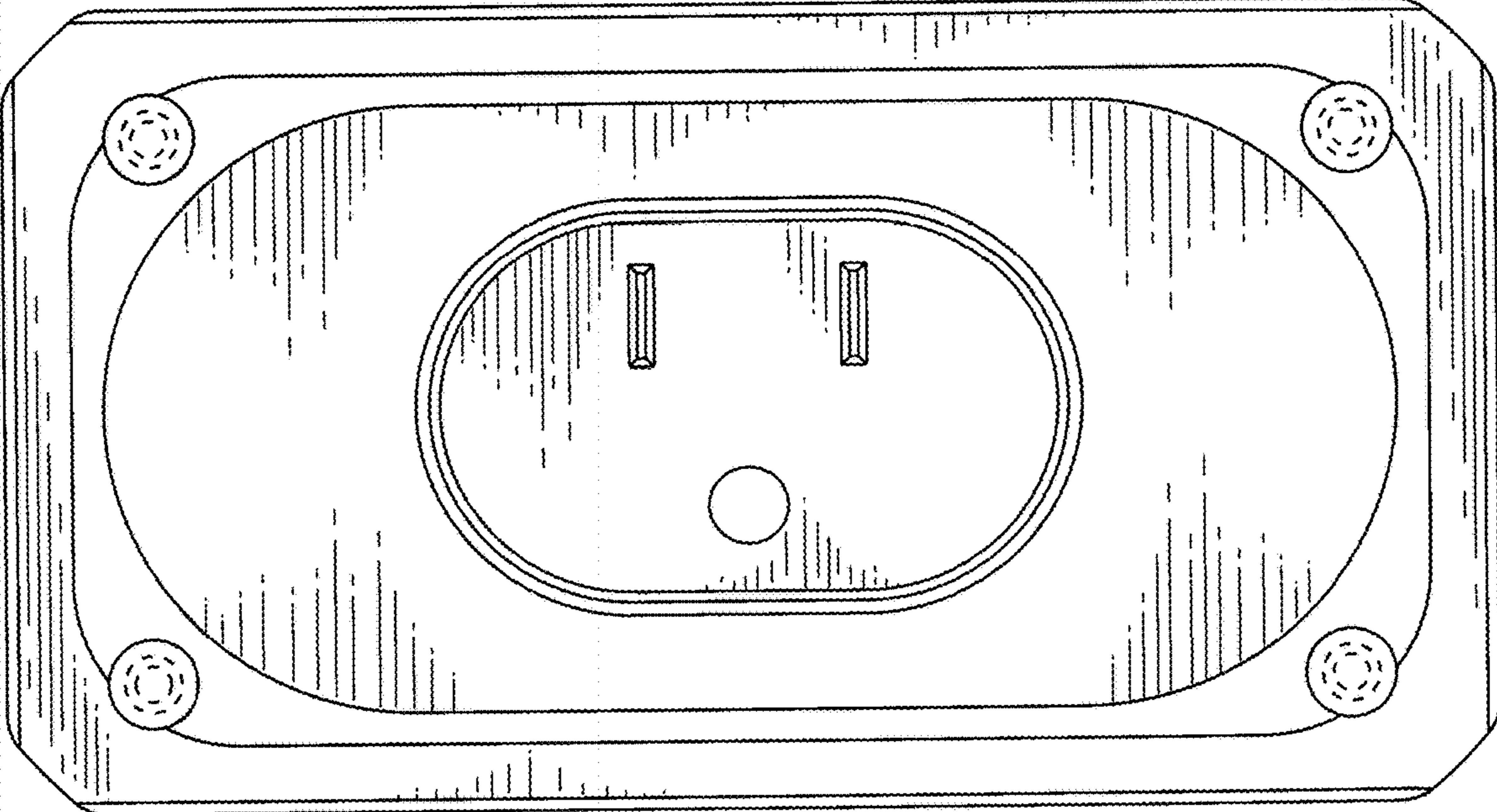


FIG. 3

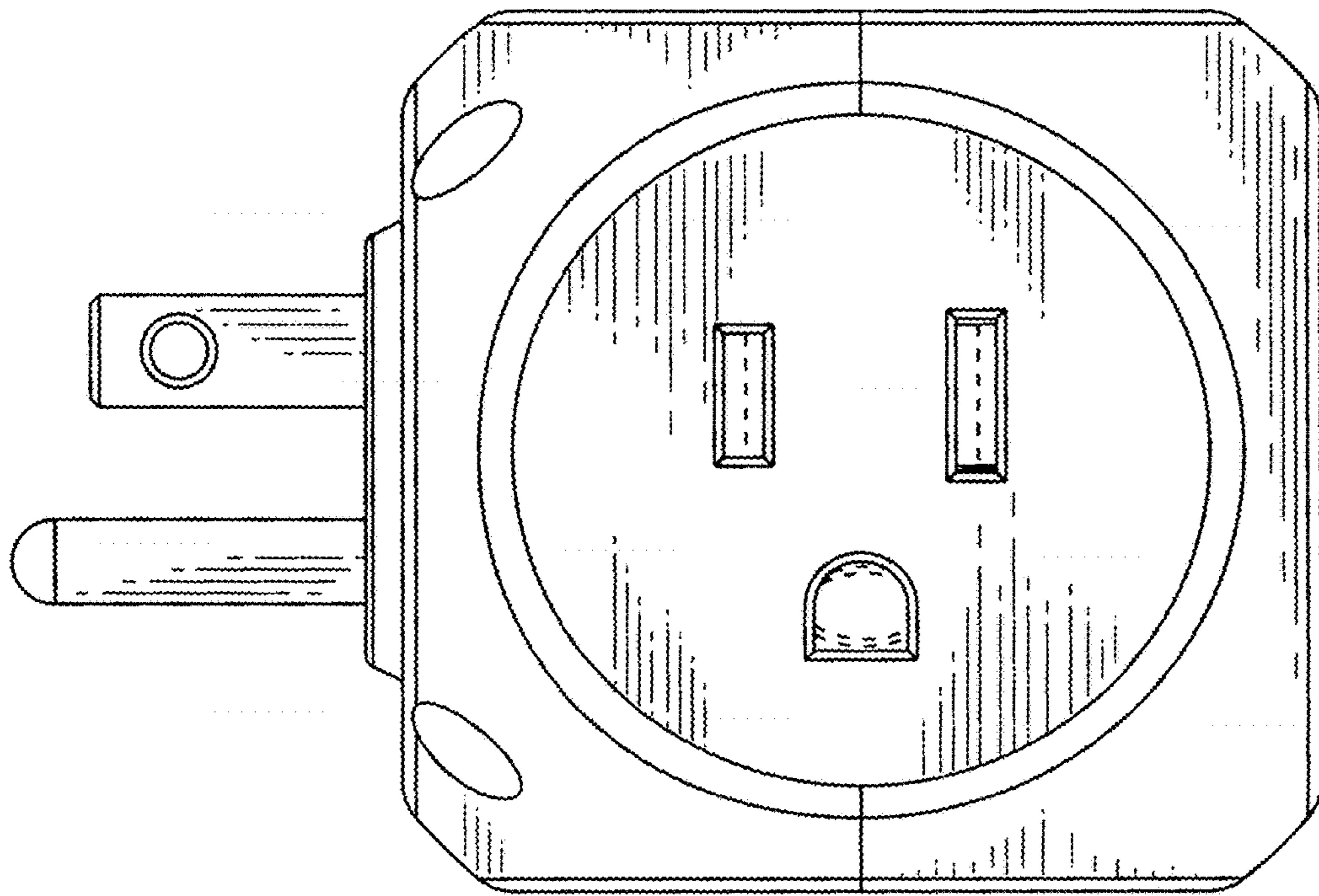


FIG. 4

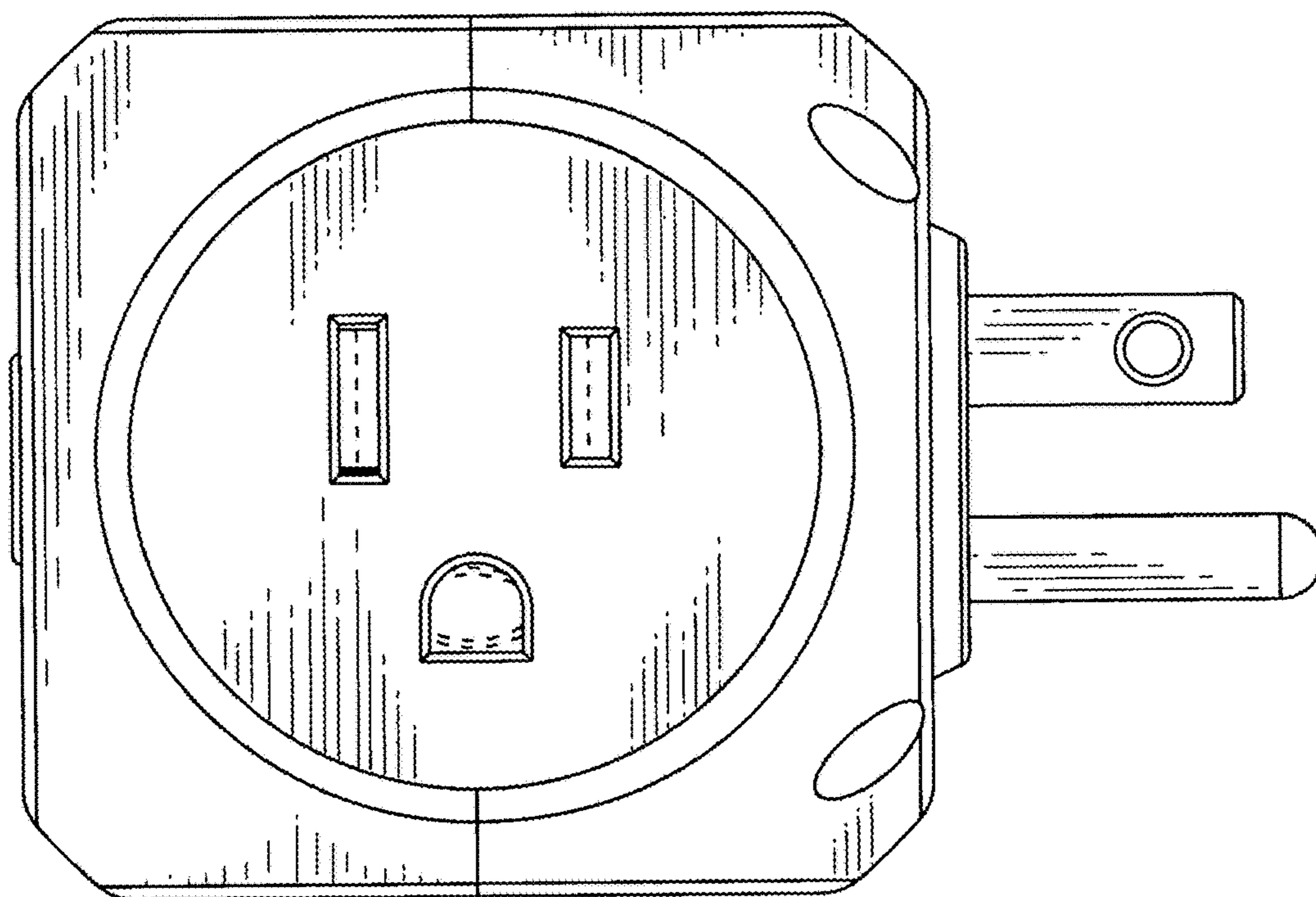


FIG. 5

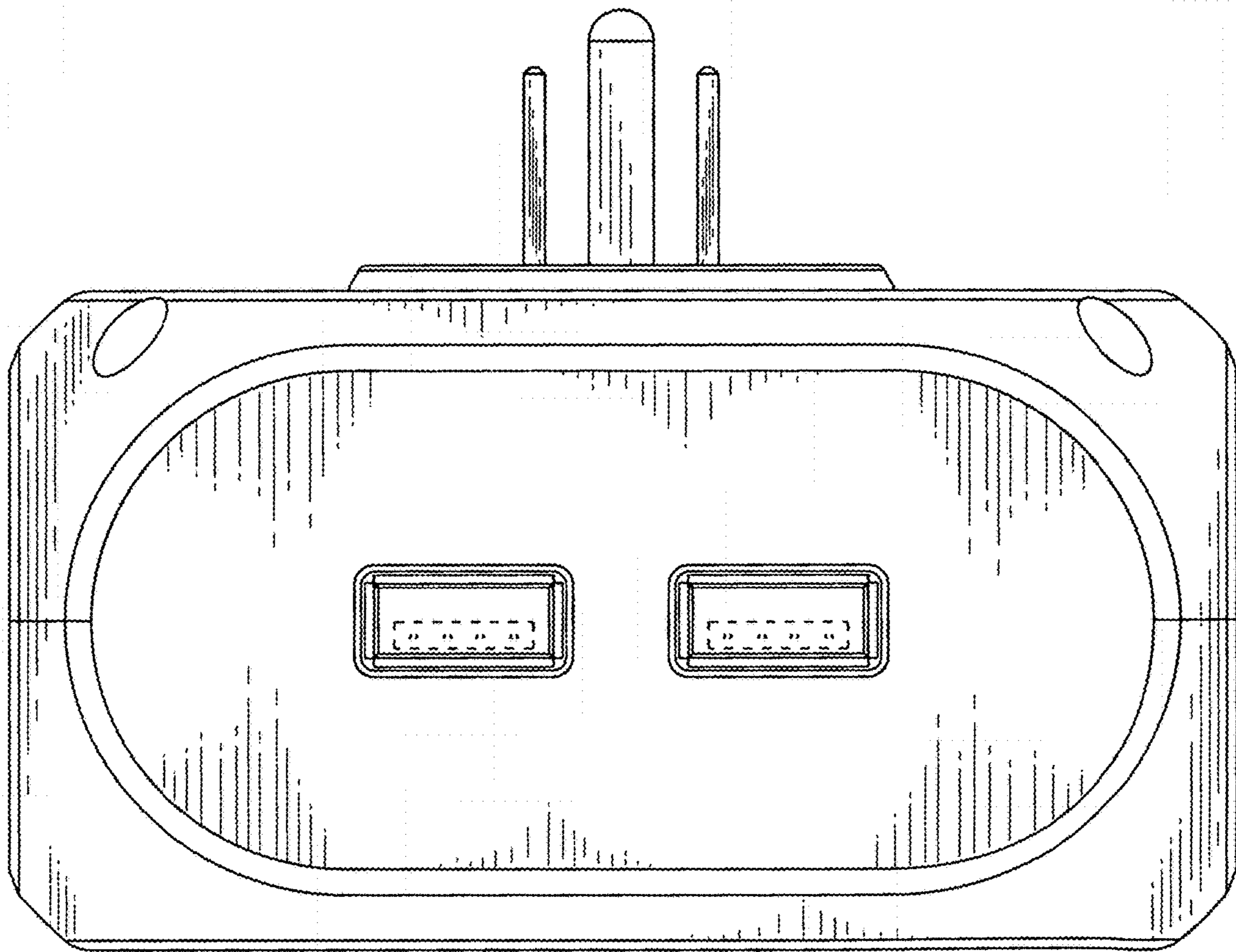


FIG. 6

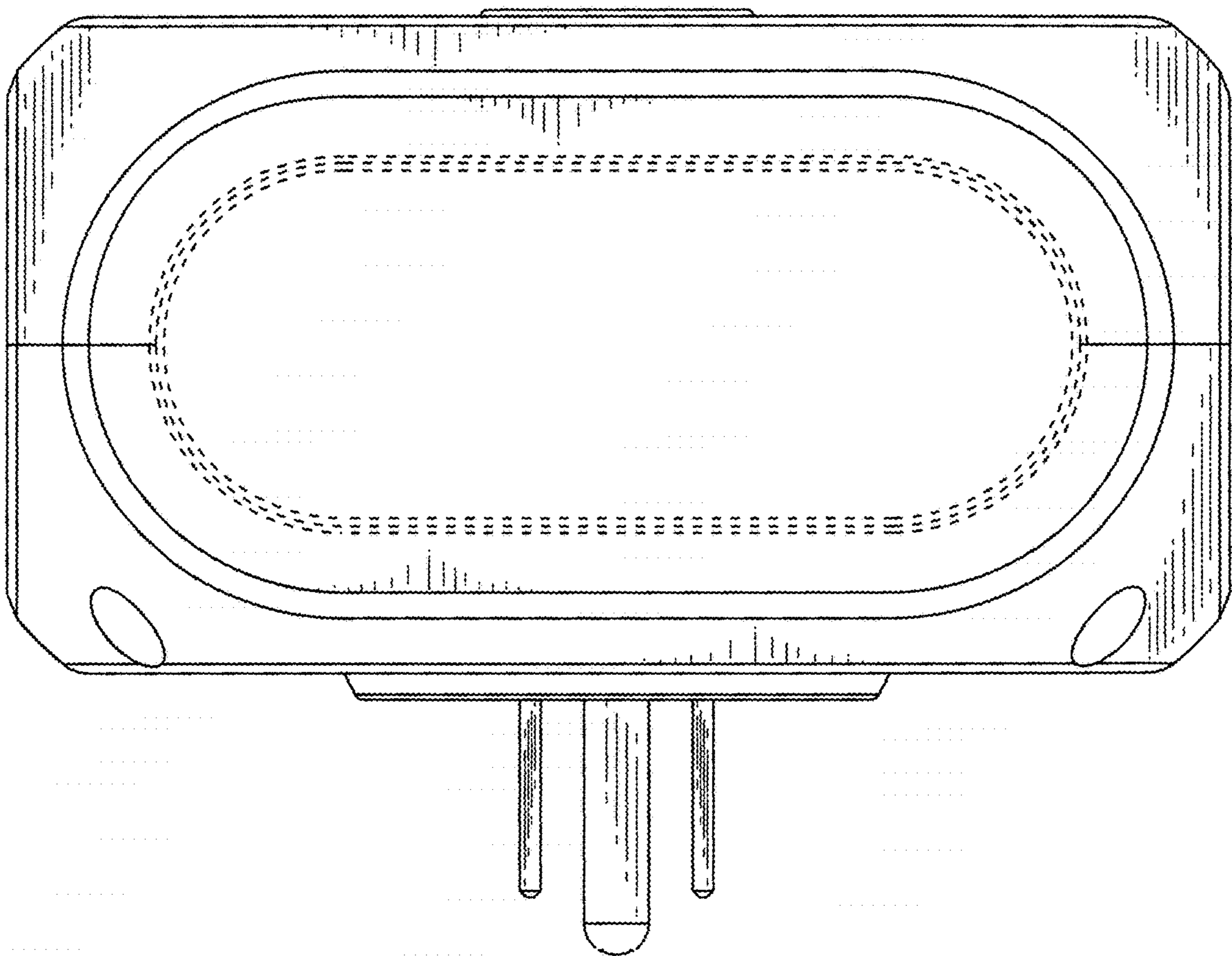


FIG. 7