



US00D852138S

(12) **United States Design Patent**  
**Wen et al.**

(10) **Patent No.:** **US D852,138 S**  
(45) **Date of Patent:** **\*\* Jun. 25, 2019**

- (54) **SMART SOCKET**
- (71) Applicants: **Long Wen**, Guangdong (CN); **Xinke Niu**, Guangdong (CN)
- (72) Inventors: **Long Wen**, Guangdong (CN); **Xinke Niu**, Guangdong (CN)
- (73) Assignee: **Shenzhen BAXIA Technology Co., Ltd.**, Shenzhen, Guangdong (CN)

D695,693 S *	12/2013	Lee .....	D13/152
D700,892 S *	3/2014	Segnit .....	D13/137.2
D756,303 S *	5/2016	Kellenberger .....	D13/137.1
D777,107 S *	1/2017	Ji .....	D13/137.2
D800,077 S *	10/2017	Windstrup .....	D13/162.1
D807,295 S *	1/2018	Xu .....	D13/137.2
D807,827 S *	1/2018	Lu .....	D13/137.2
D808,046 S *	1/2018	Jianting .....	D26/26
D816,614 S *	5/2018	An .....	D13/137.1
D818,952 S *	5/2018	Wilcox .....	D13/110
D819,570 S *	6/2018	Zhong .....	D13/137.1
D832,215 S *	10/2018	Xu .....	D13/137.2
2012/0086437 A1 *	4/2012	Lin .....	G01R 22/10 324/156

(\*\*) Term: **15 Years**

(21) Appl. No.: **29/658,365**

(22) Filed: **Jul. 30, 2018**

(51) **LOC (11) Cl.** ..... **13-03**

(52) **U.S. Cl.**  
USPC ..... **D13/137.1**

(58) **Field of Classification Search**  
USPC ..... D13/137.1-137.4, 110, 152, 162.1;  
D26/26; 439/131; 363/146; 324/156  
CPC ..... H01R 27/00; G01R 22/10  
See application file for complete search history.

(56) **References Cited**

**U.S. PATENT DOCUMENTS**

5,613,863 A *	3/1997	Klaus .....	H01R 27/00 439/131
6,086,395 A *	7/2000	Lloyd .....	H01R 27/00 363/146
D638,357 S *	5/2011	Sasada .....	D13/110

\* cited by examiner

*Primary Examiner* — Rhea Shields

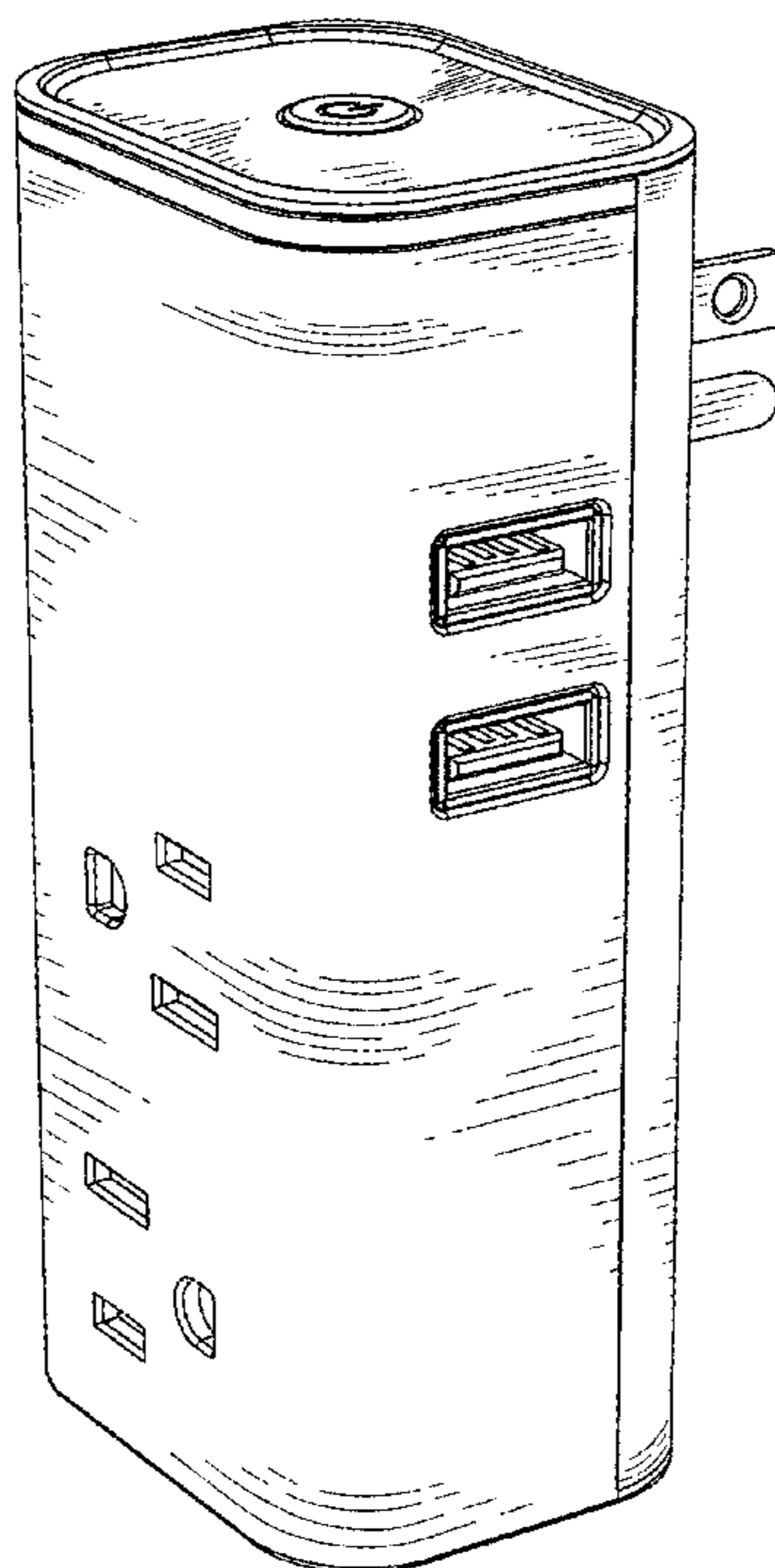
(57) **CLAIM**

We claim the ornamental design for a smart socket, as shown and described.

**DESCRIPTION**

FIG. 1 is a perspective view of a smart socket showing my new design;  
FIG. 2 is a front elevational view thereof;  
FIG. 3 is a rear elevational view thereof;  
FIG. 4 is a left side elevational view thereof;  
FIG. 5 is a right side elevational view thereof;  
FIG. 6 is a top plan view thereof; and,  
FIG. 7 is a bottom plan view thereof.  
The broken lines in the drawings depict portions of the smart socket that form no part of the claimed design.

**1 Claim, 7 Drawing Sheets**



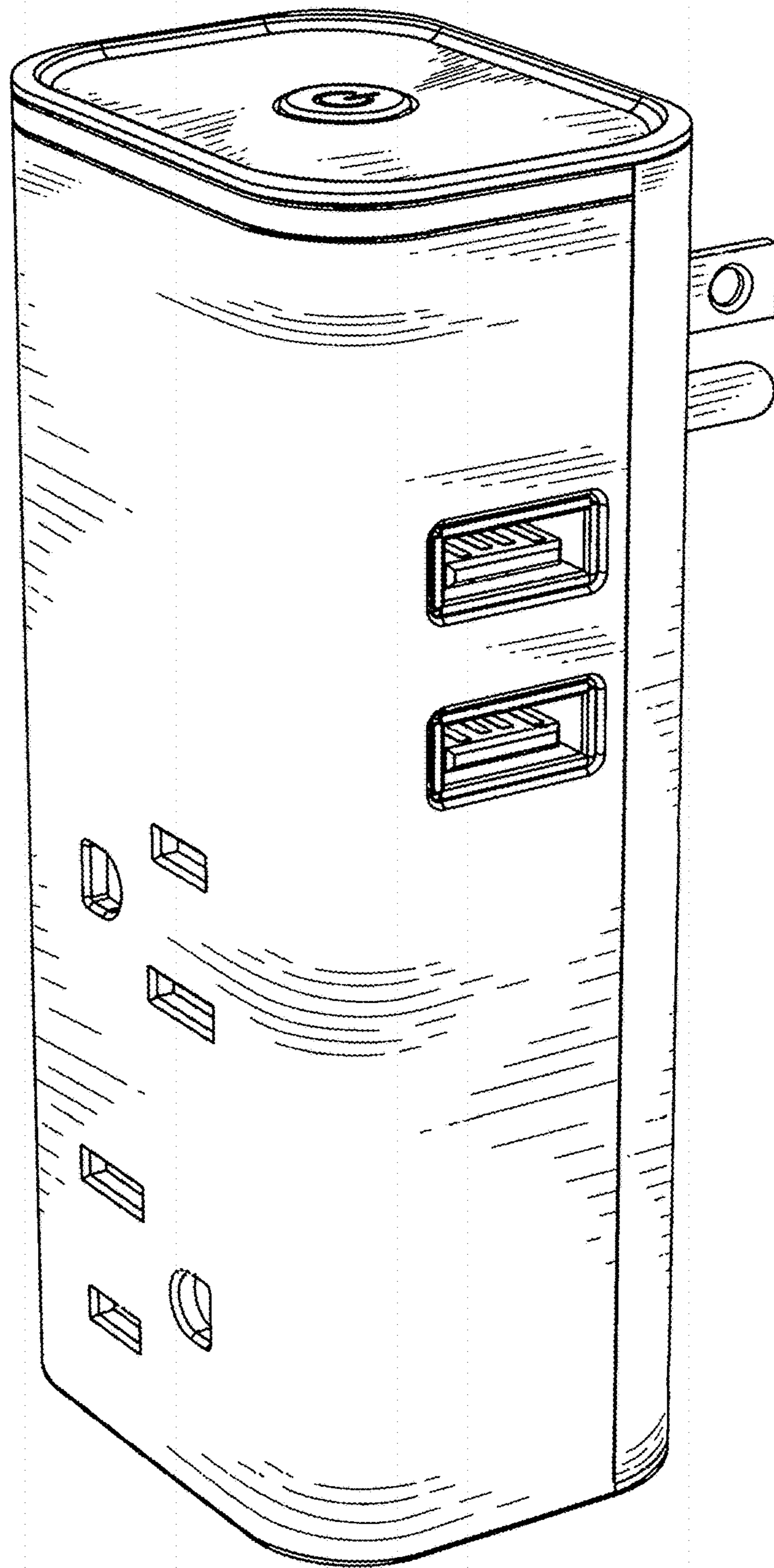


FIG. 1

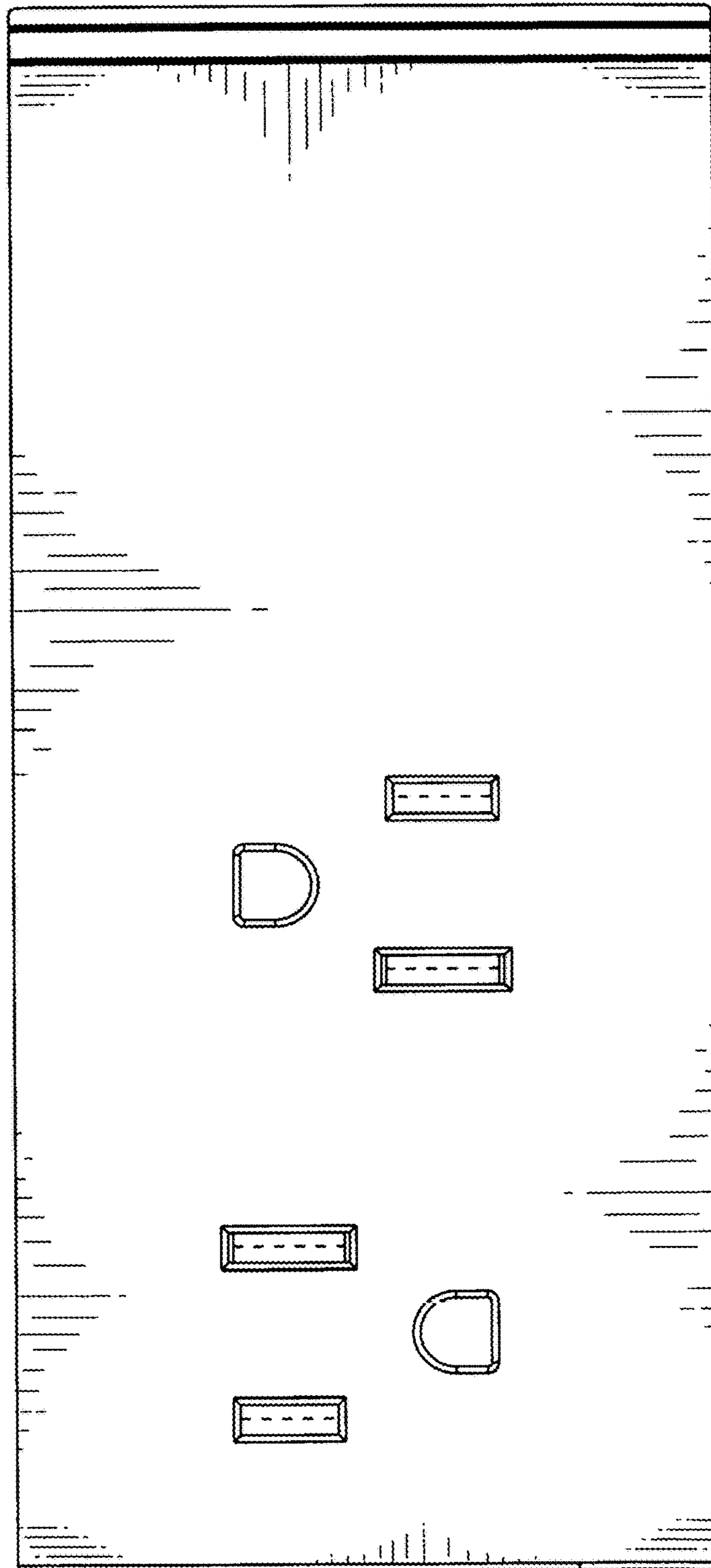


FIG. 2

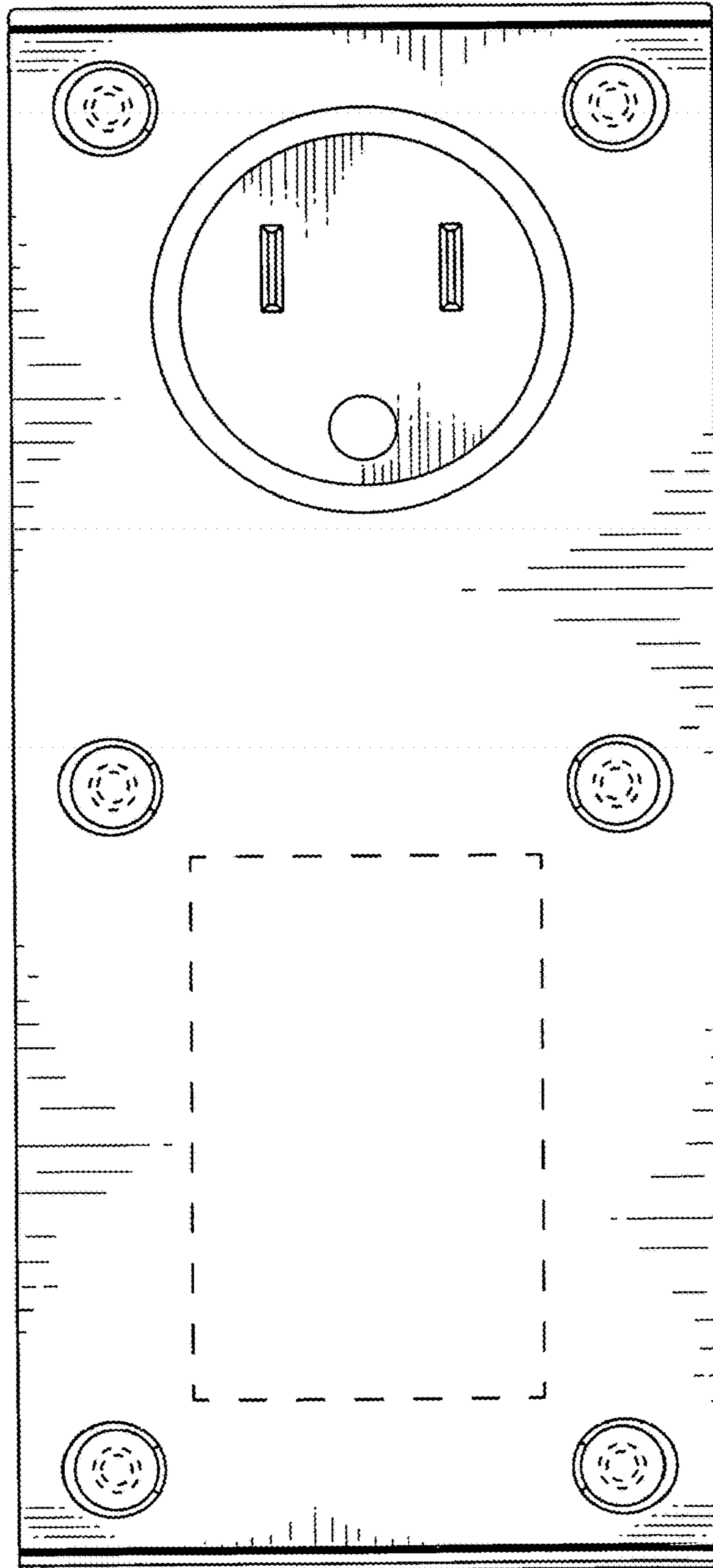


FIG. 3

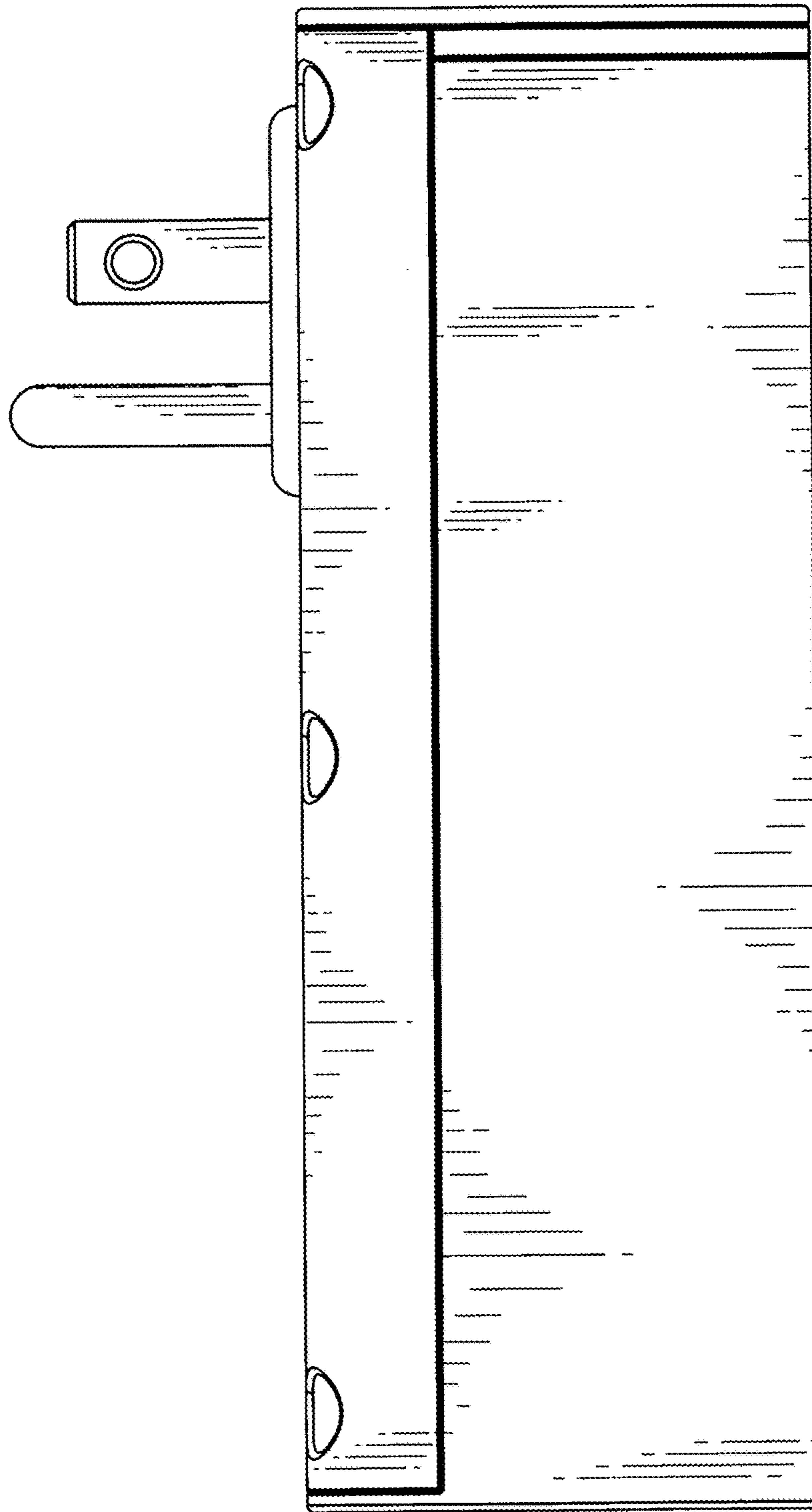


FIG. 4



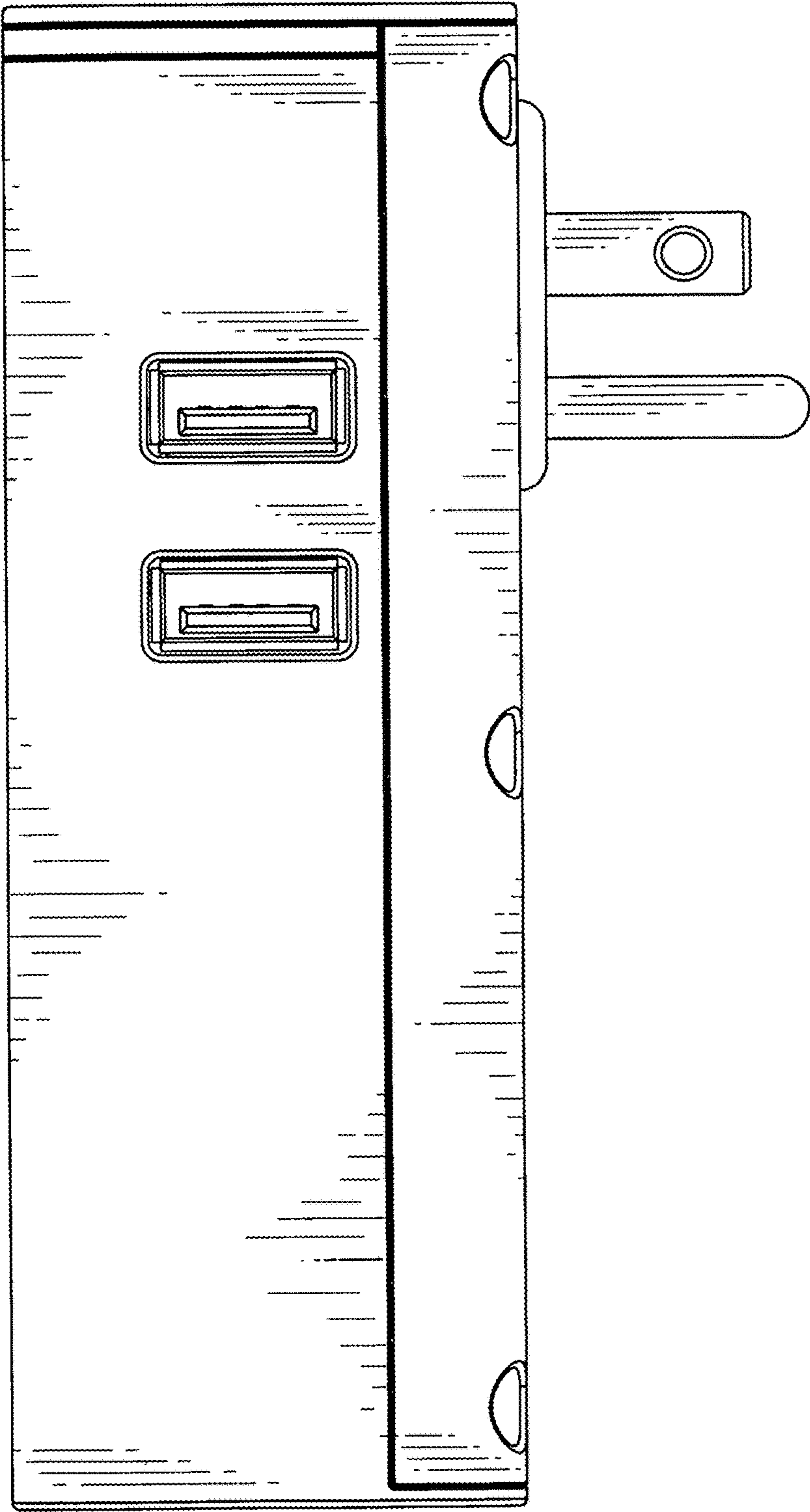


FIG. 5

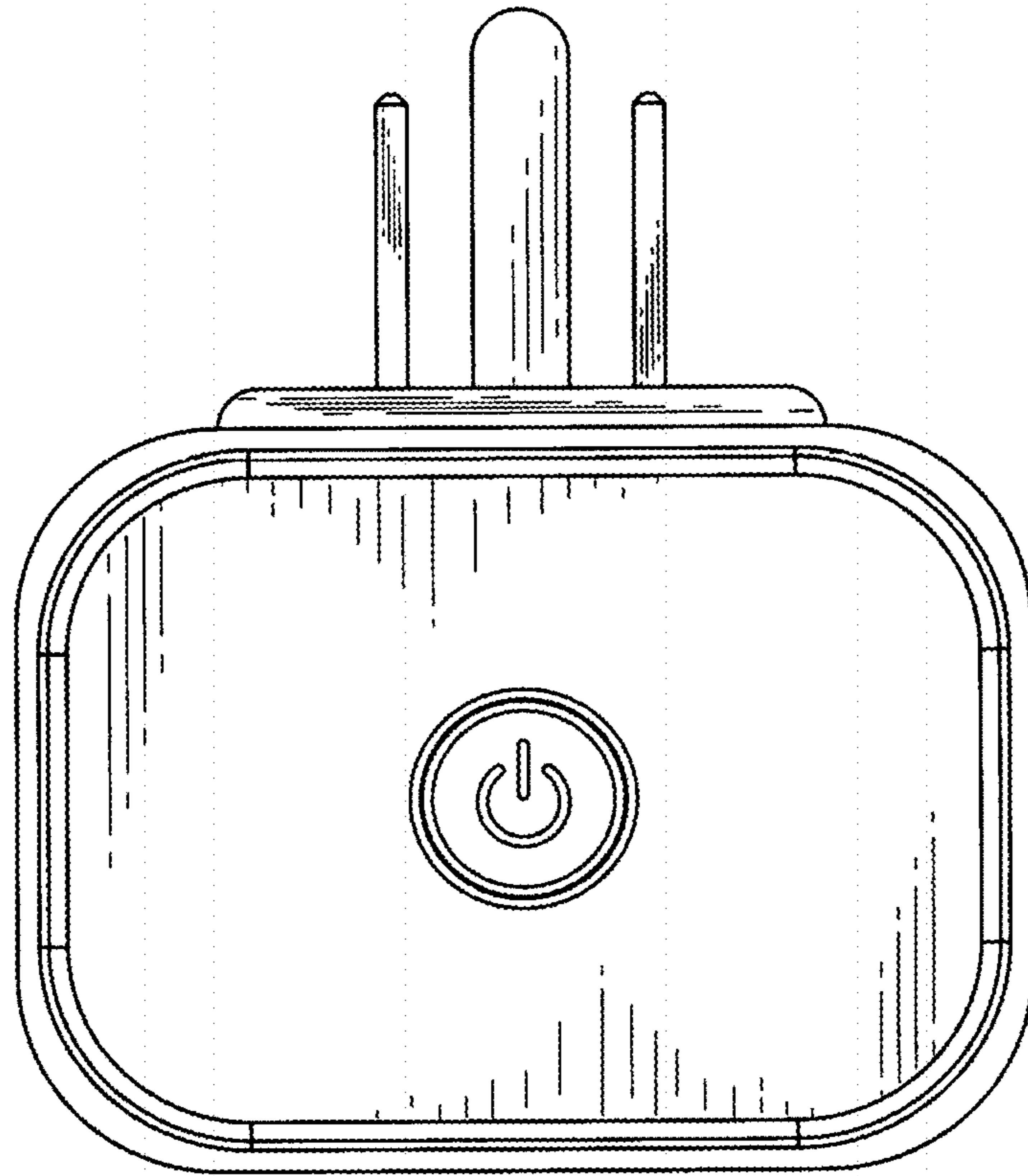


FIG. 6

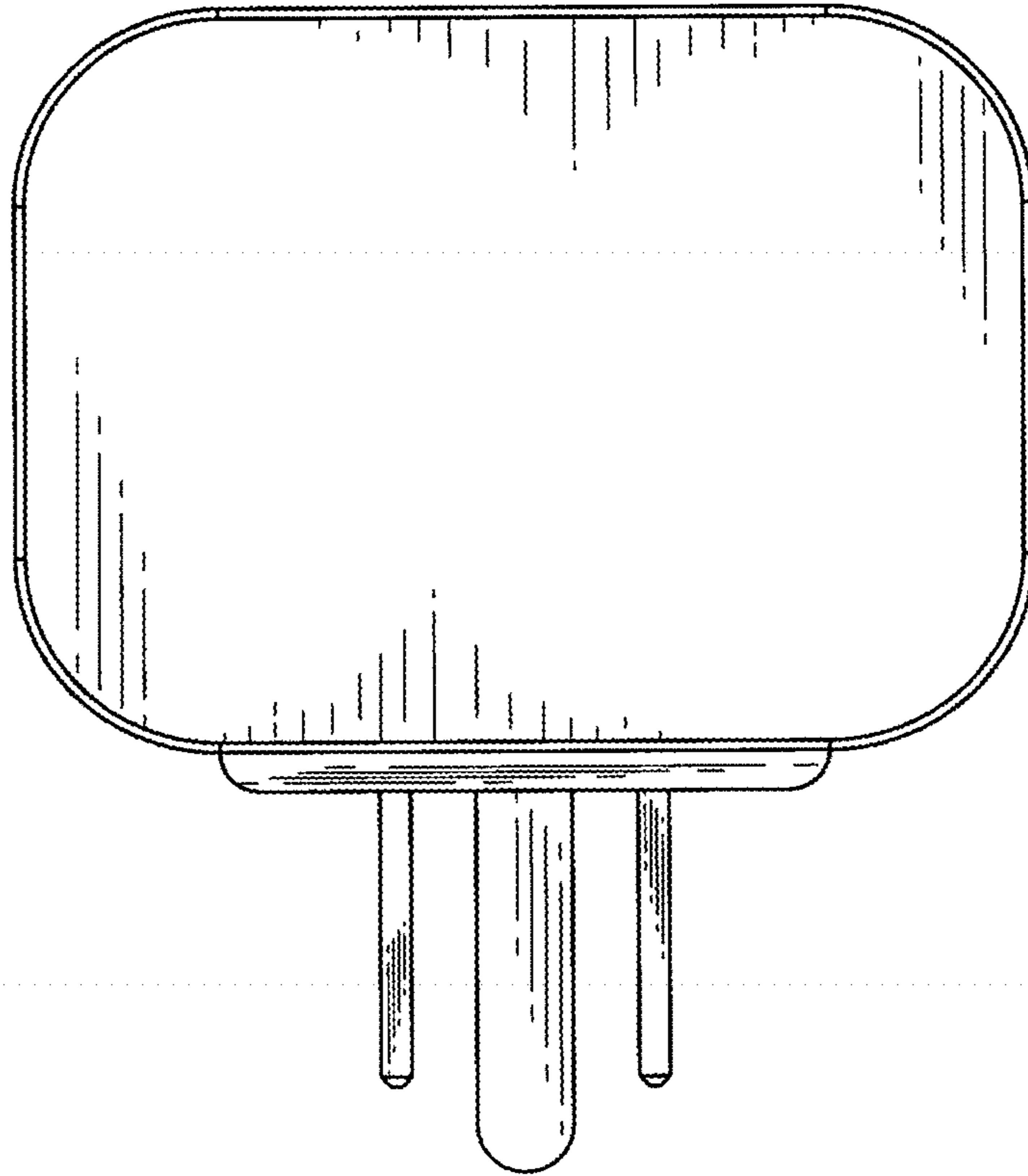


FIG. 7