



US00D852137S

(12) **United States Design Patent**  
**Sasaki**

(10) **Patent No.:** **US D852,137 S**  
(45) **Date of Patent:** **\*\* Jun. 25, 2019**

(54) **ELECTRICAL CONNECTOR**

**DESCRIPTION**

(71) Applicant: **Hosiden Corporation**, Yao-shi, Osaka (JP)

(72) Inventor: **Daisuke Sasaki**, Yao (JP)

(73) Assignee: **HOSIDEN CORPORATION**, Yao-Shi (JP)

(\*\*) Term: **15 Years**

(21) Appl. No.: **29/559,768**

(22) Filed: **Mar. 31, 2016**

(30) **Foreign Application Priority Data**

Oct. 26, 2015 (JP) ..... 2015-023661  
Oct. 26, 2015 (JP) ..... 2015-023666

(Continued)

(51) **LOC (11) Cl.** ..... **13-03**

(52) **U.S. Cl.**  
USPC ..... **D13/133**

(58) **Field of Classification Search**

USPC ..... D13/101, 103, 110, 112, 117, 118, 120,  
D13/123, 129-133, 145-147, 149, 151,  
D13/153-155, 173, 183, 199

(Continued)

(56) **References Cited**

**U.S. PATENT DOCUMENTS**

D314,941 S \* 2/1991 Amachi ..... D13/133  
D330,191 S \* 10/1992 Endo ..... D13/133

(Continued)

*Primary Examiner* — Angela J Lee

*Assistant Examiner* — Shawn T Gingrich

(74) *Attorney, Agent, or Firm* — Rankin, Hill & Clark  
LLP

(57) **CLAIM**

The ornamental design for an electrical connector, as shown and described.

FIG. 1 is a front, left side and top perspective view of an electrical connector in accordance with a first embodiment of my new design;

FIG. 2 is a front, left side and bottom perspective view thereof;

FIG. 3 is a front elevation view thereof;

FIG. 4 is a rear elevation view thereof;

FIG. 5 is a left side view thereof;

FIG. 6 is a right side view thereof;

FIG. 7 is a top plan view thereof;

FIG. 8 is a bottom plan view thereof;

FIG. 9 is a front, left side and top perspective view of an electrical connector in accordance with a second embodiment of my new design;

FIG. 10 is a front, left side and bottom perspective view thereof;

FIG. 11 is a front elevation view thereof;

FIG. 12 is a rear elevation view thereof;

FIG. 13 is a left side view thereof;

FIG. 14 is a right side view thereof;

FIG. 15 is a top plan view thereof;

FIG. 16 is a bottom plan view thereof;

FIG. 17 is a front, left side and top perspective view of an electrical connector in accordance with a third embodiment of my new design;

FIG. 18 is a front, left side and bottom perspective view thereof;

FIG. 19 is a front elevation view thereof;

FIG. 20 is a rear elevation view thereof;

FIG. 21 is a left side view thereof;

FIG. 22 is a right side view thereof;

FIG. 23 is a top plan view thereof;

FIG. 24 is a bottom plan view thereof;

FIG. 25 is a front, left side and top perspective view of an electrical connector in accordance with a fourth embodiment of my new design;

FIG. 26 is a front, left side and bottom perspective view thereof;

FIG. 27 is a front elevation view thereof;

FIG. 28 is a rear elevation view thereof;

FIG. 29 is a left side view thereof;

FIG. 30 is a right side view thereof;

(Continued)

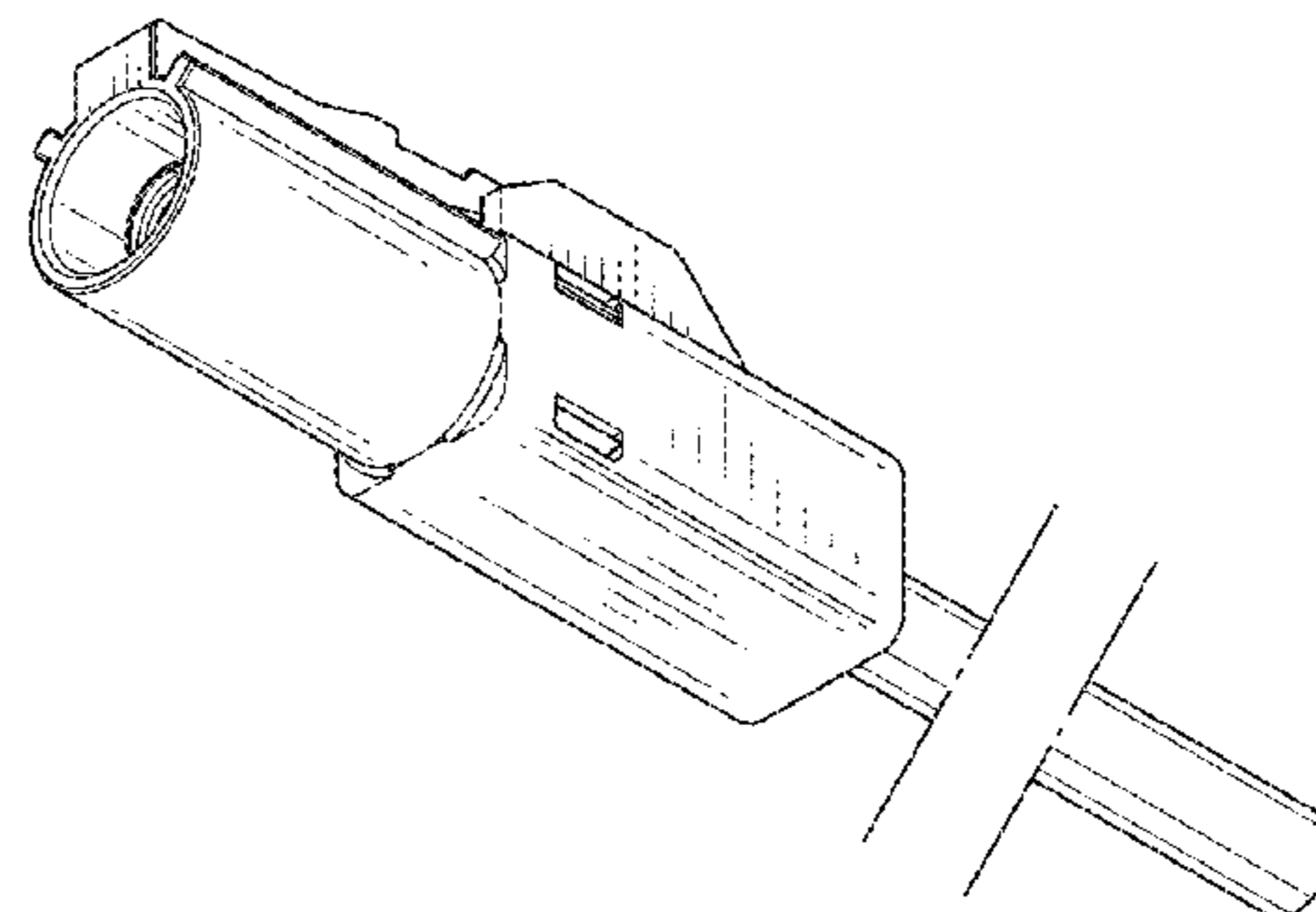
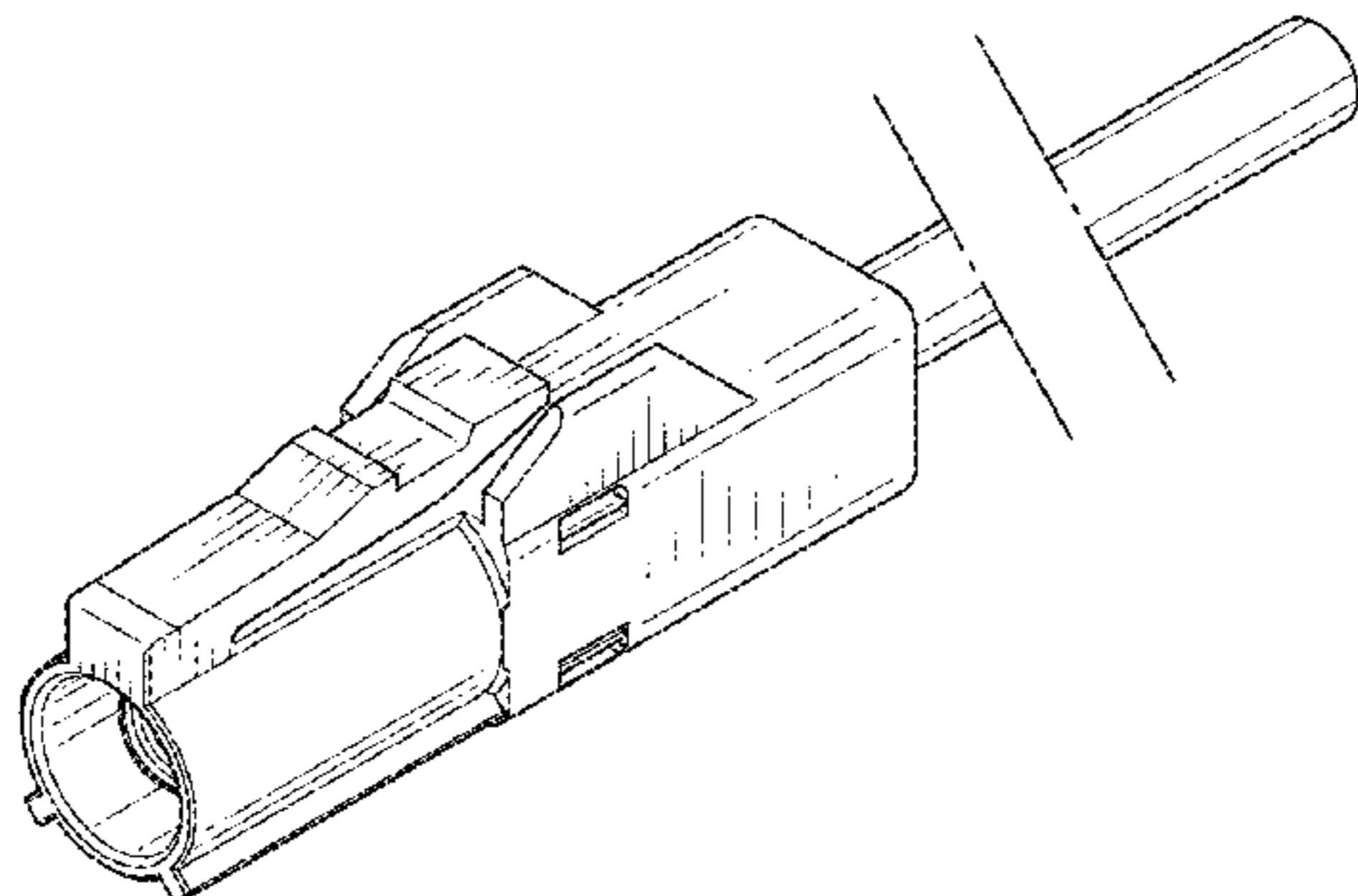


FIG. 31 is a top plan view thereof; and,  
 FIG. 32 is a bottom plan view thereof.

The Dash-Dot-Dash lines in the drawings represent a symbolic break in the length of the cable. The appearance of any portion of the article between the break lines forms no part of the claimed design.

The Dash-Dash broken lines in the drawings illustrate portions of the electrical connector that form no part of the claimed design.

**1 Claim, 12 Drawing Sheets**

(30) **Foreign Application Priority Data**

Oct. 26, 2015 (JP) ..... 2015-023667  
 Oct. 26, 2015 (JP) ..... 2015-023668  
 Oct. 26, 2015 (JP) ..... 2015-023669

(58) **Field of Classification Search**

CPC ..... H01R 12/00; H01R 12/70; H01R 12/707;  
 H01R 12/72; H01R 13/62; H01R 13/66;  
 H01R 13/627; H01R 13/639; H01R

13/648; H01R 13/658; H01R 24/00;  
 H01R 24/06; H01R 25/00

See application file for complete search history.

(56)

**References Cited**

U.S. PATENT DOCUMENTS

5,575,675	A *	11/1996	Endo	.....	H01R 13/62933 439/310
D456,356	S *	4/2002	Togashi	.....	D13/133
9,595,795	B2 *	3/2017	Lane	.....	H01R 24/38
2002/0157298	A1 *	10/2002	Carlson	.....	F41G 1/345 42/132
2002/0166278	A1 *	11/2002	Carlson	.....	F41G 1/345 42/132
2009/0011637	A1 *	1/2009	Kim	.....	H01R 9/20 439/578
2010/0048051	A1 *	2/2010	Melni	.....	H01R 4/56 439/271
2012/0329298	A1 *	12/2012	Hardy	.....	H01R 12/724 439/78
2014/0148052	A1 *	5/2014	Hall	.....	H01R 13/6456 439/607.01
2016/0315427	A1 *	10/2016	Kawakami	.....	H01R 13/6594
2016/0315428	A1 *	10/2016	Kawakami	.....	H01R 24/44

\* cited by examiner

Fig.1

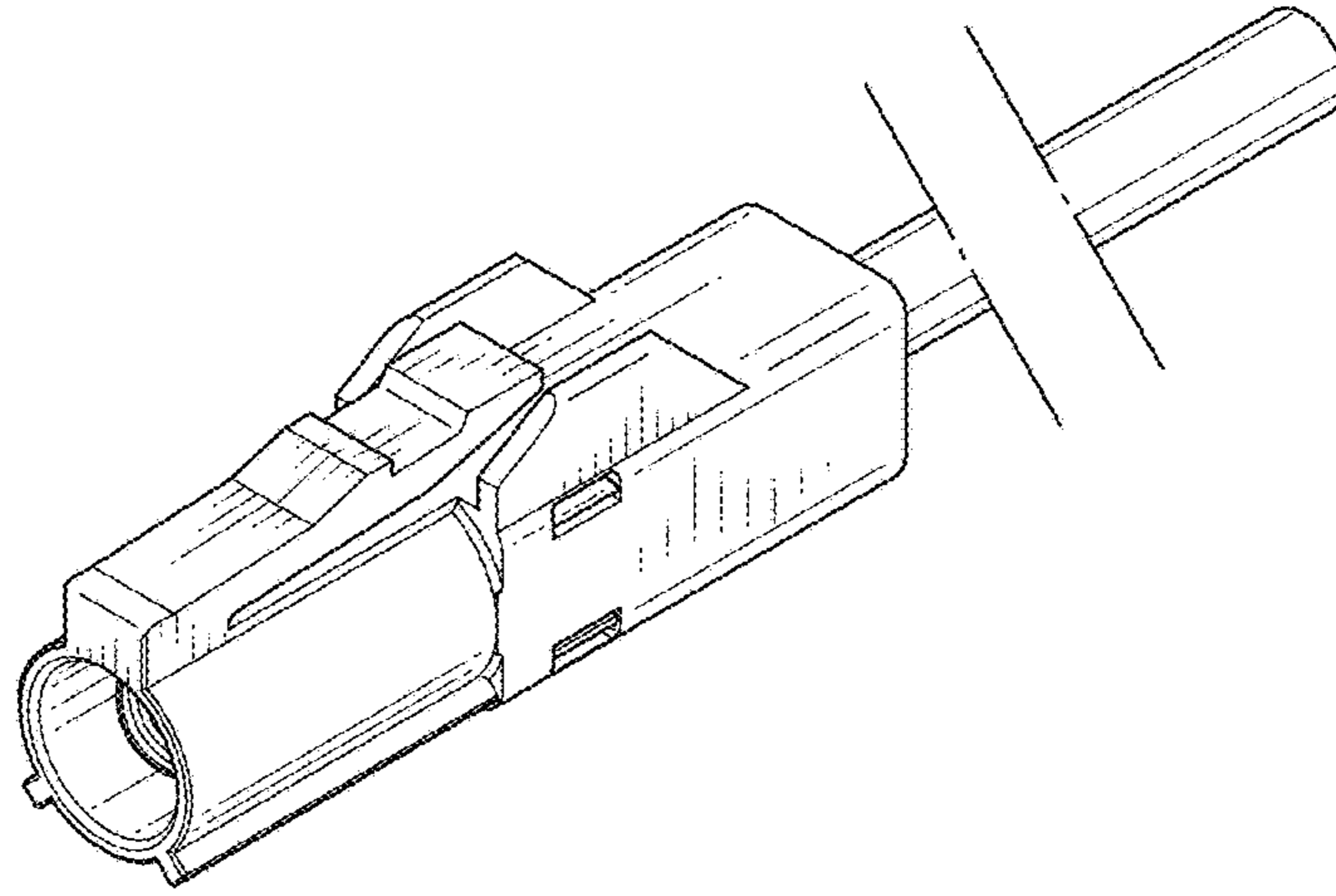


Fig.2

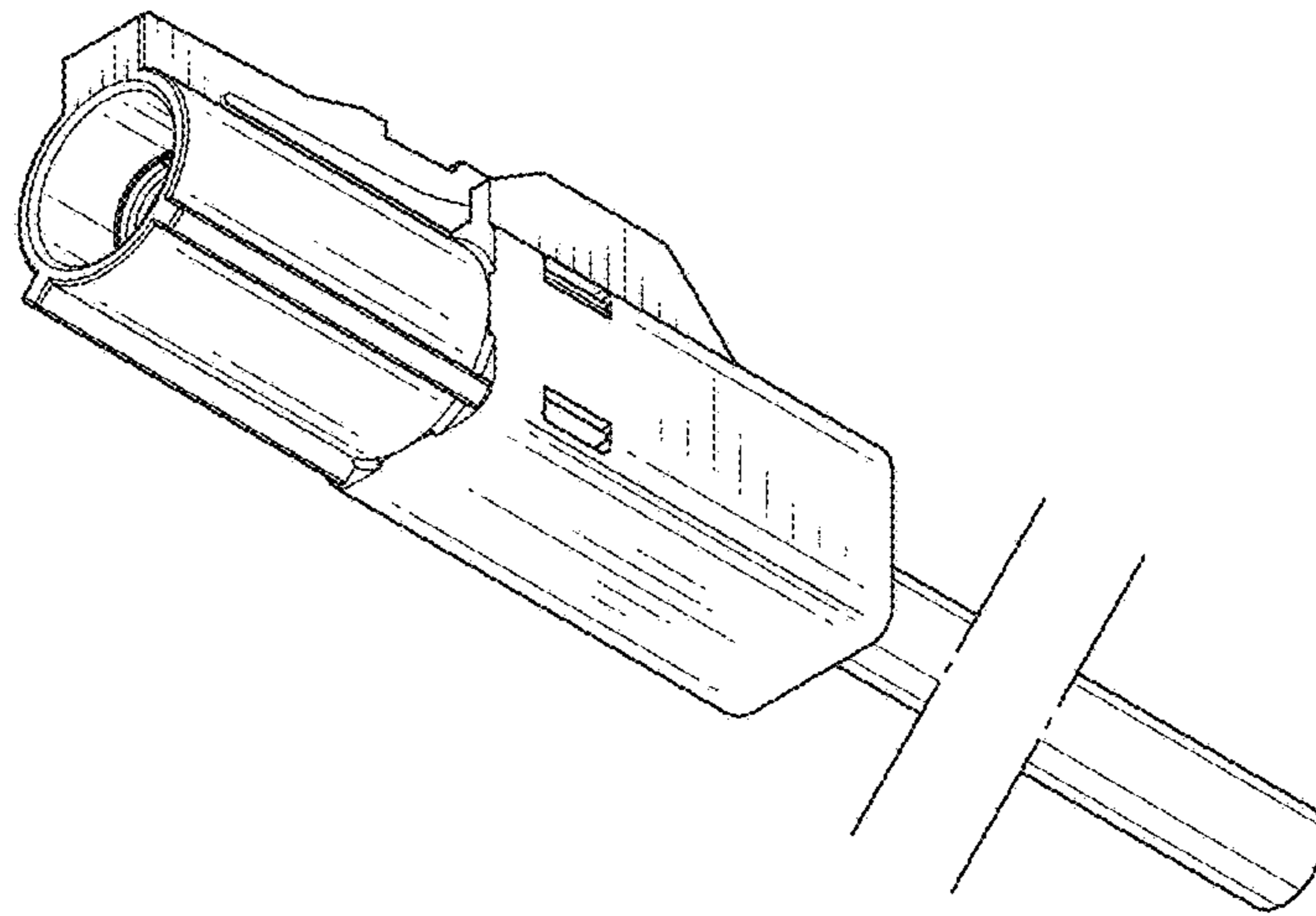


Fig.3

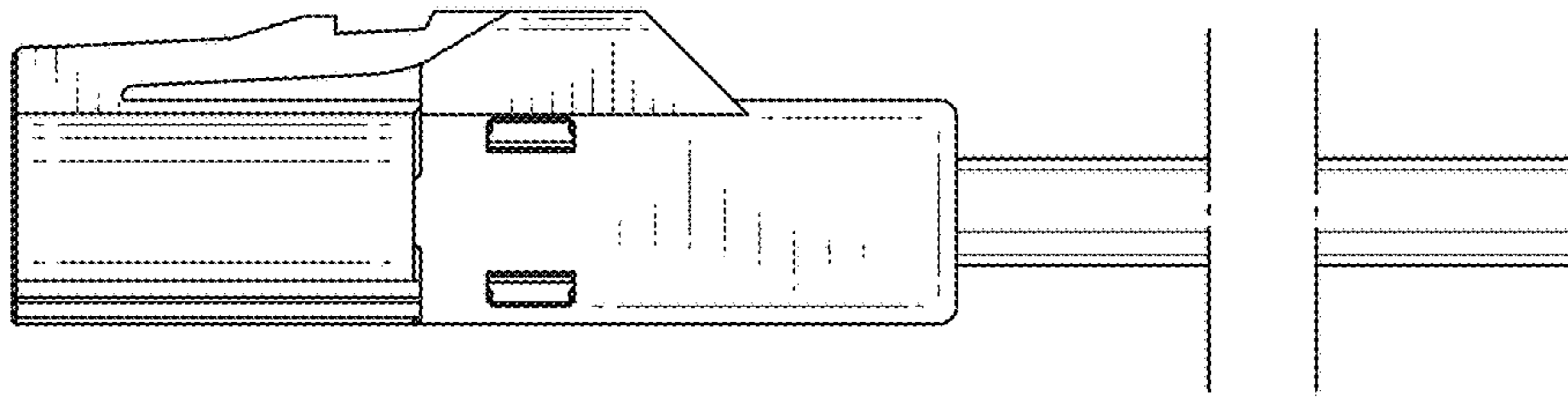


Fig.4

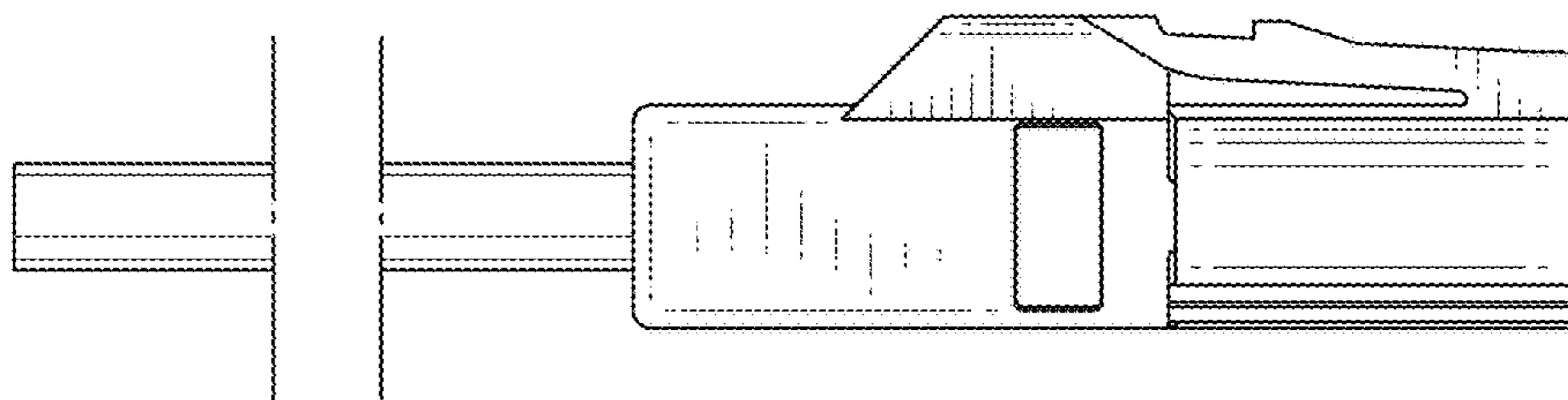


Fig.5

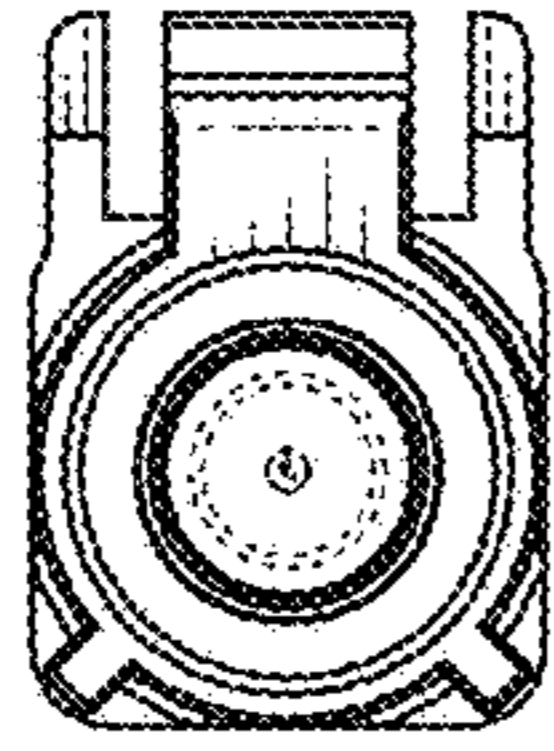


Fig.6

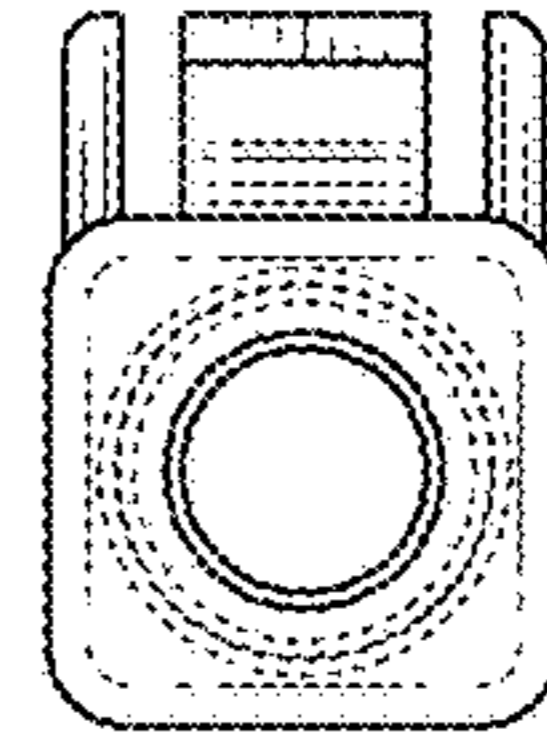


Fig.7

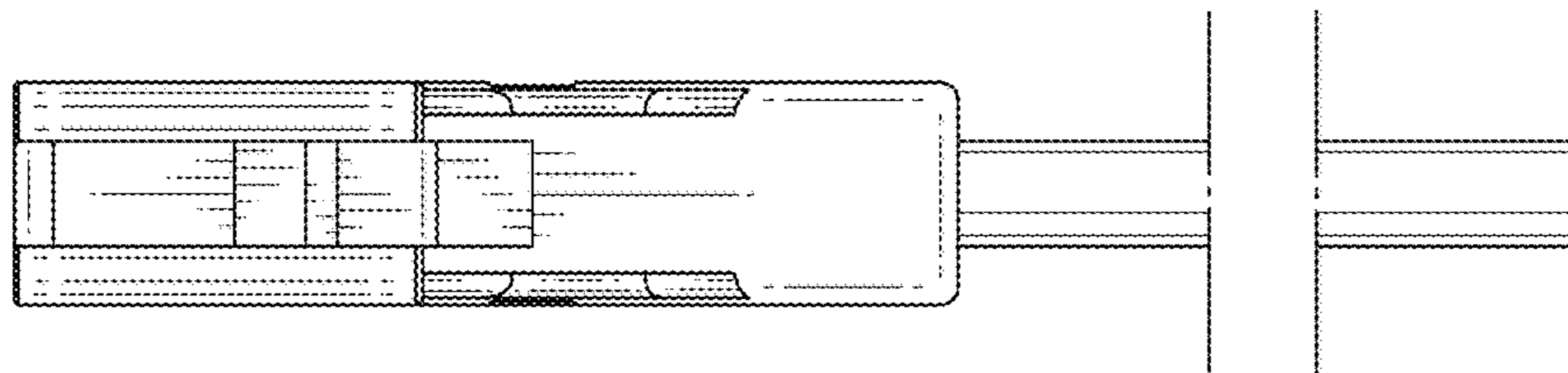


Fig.8

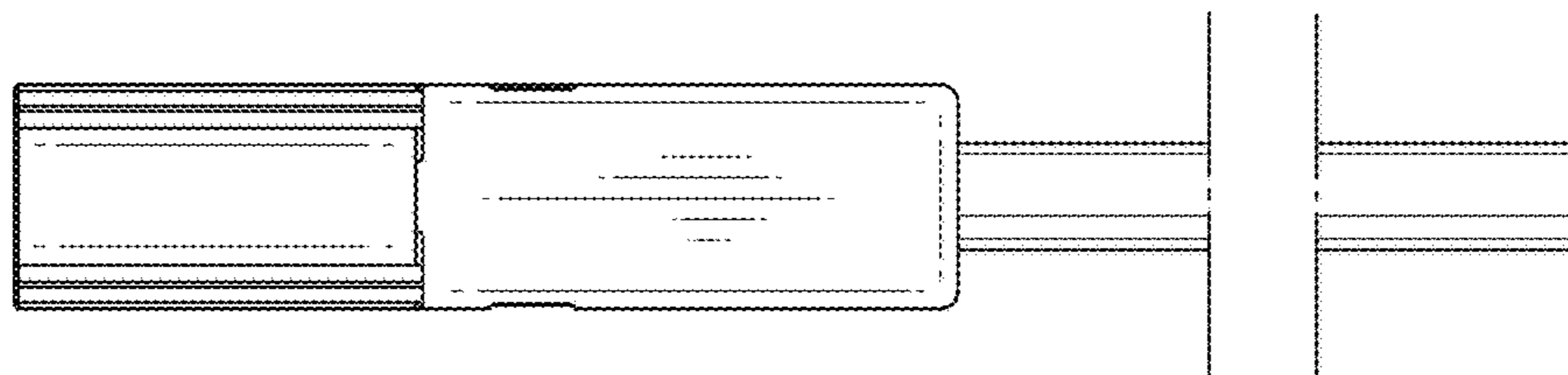


Fig.9

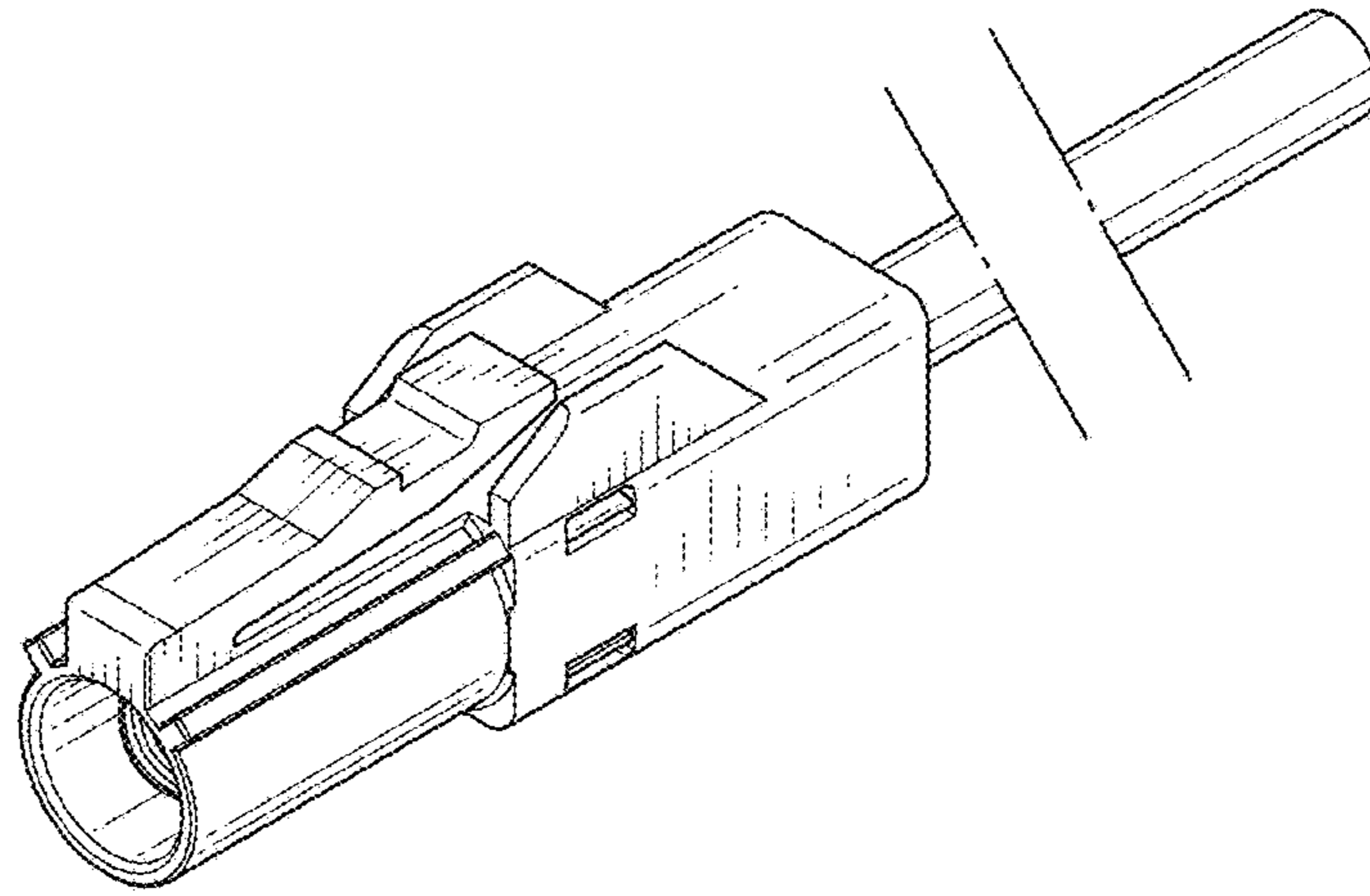


Fig.10

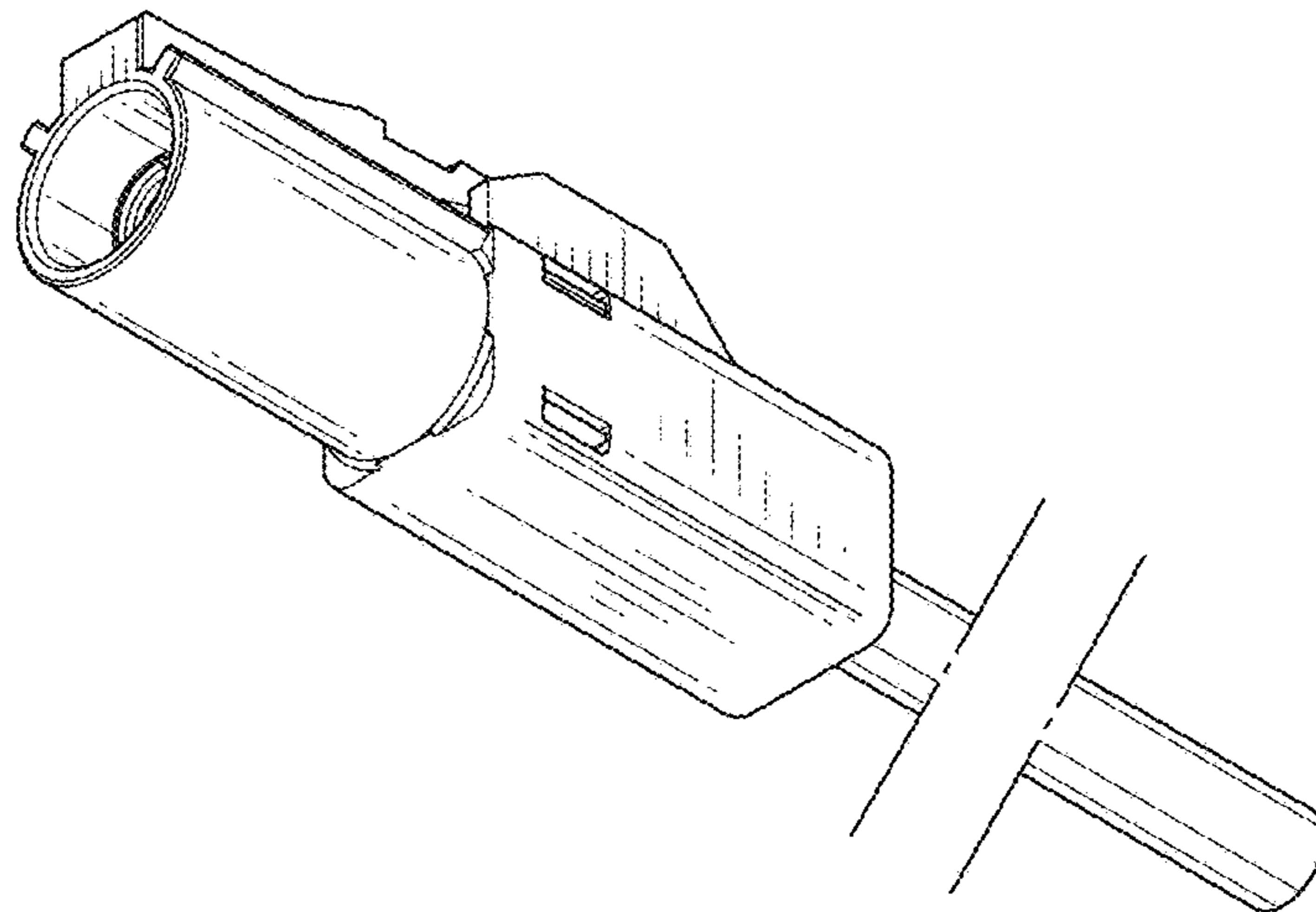


Fig.11

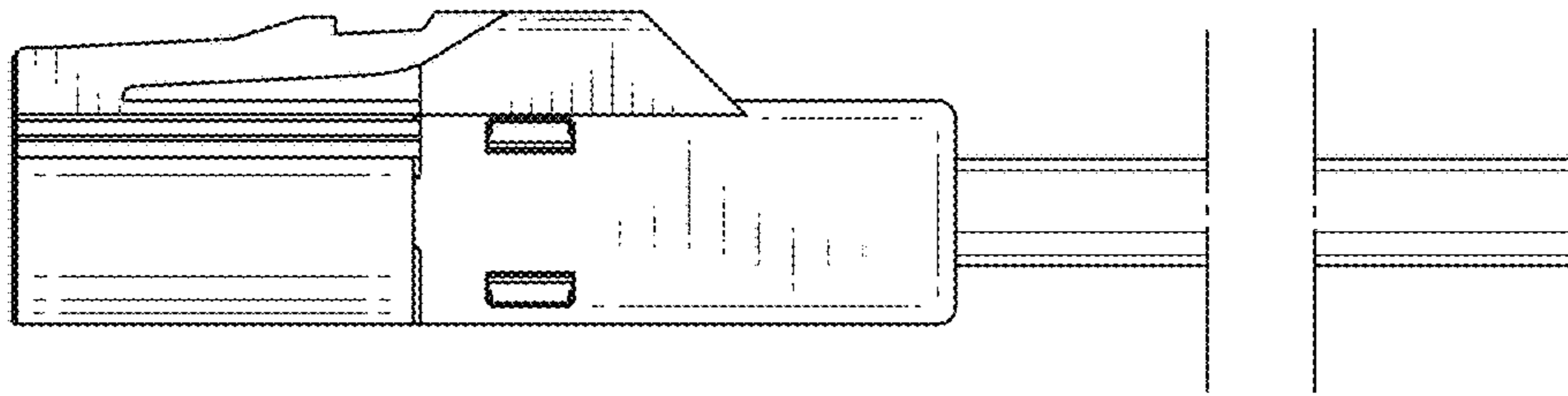


Fig.12

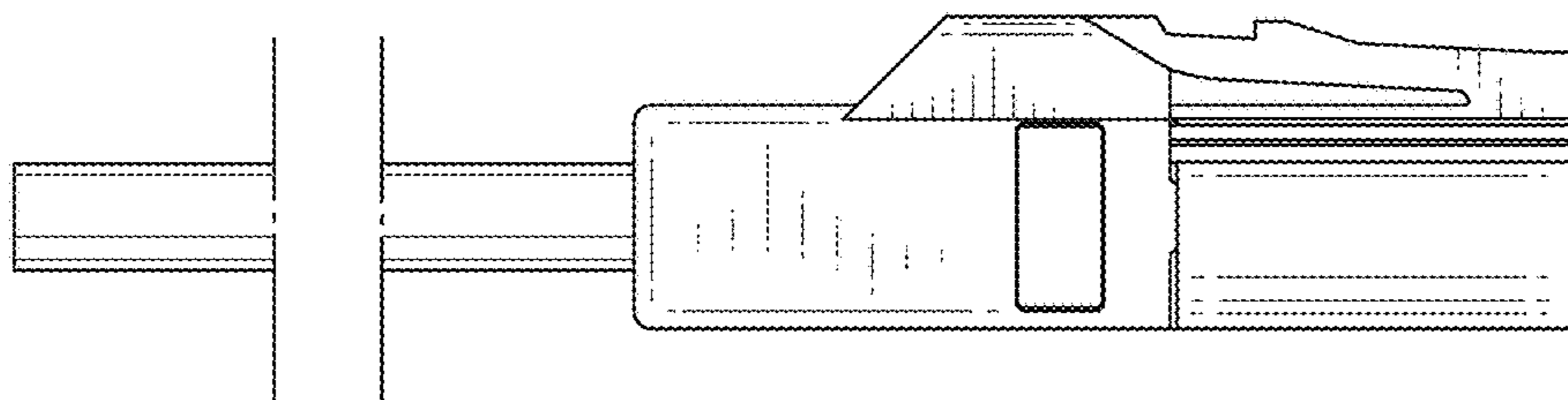


Fig.13

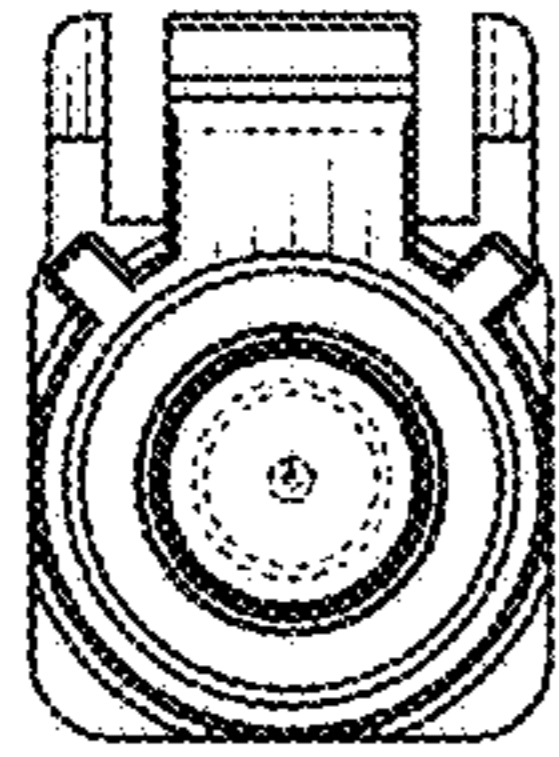


Fig.14

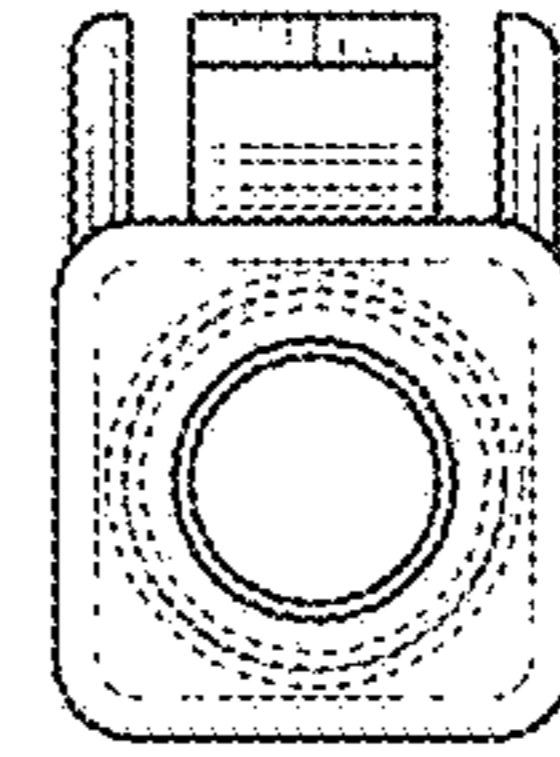


Fig.15

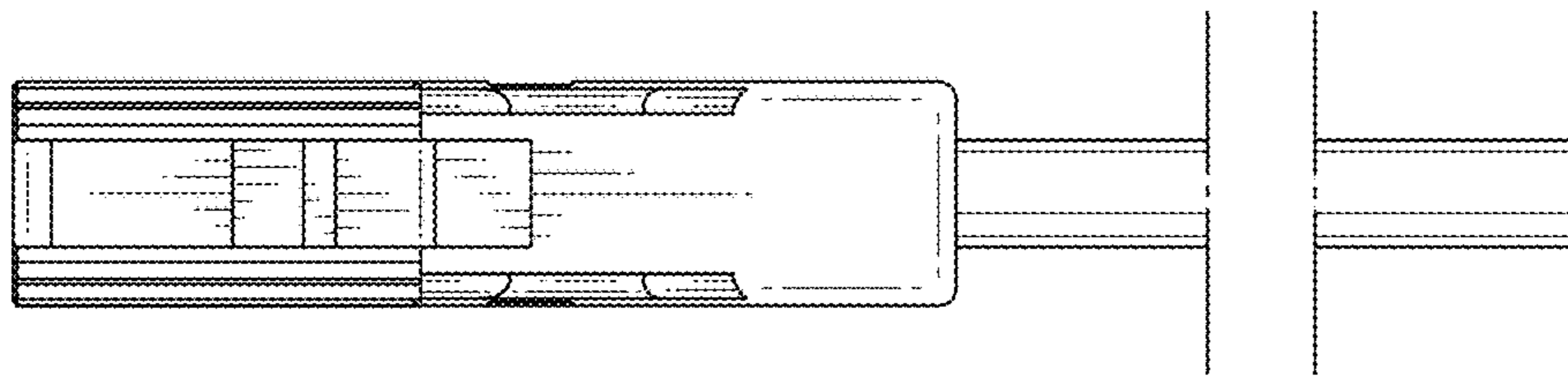


Fig.16

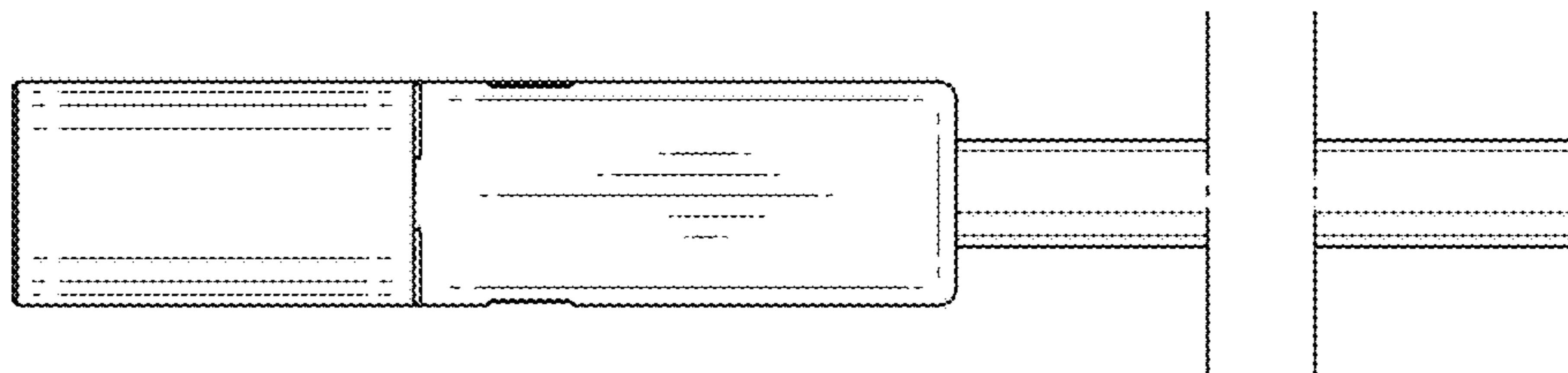




Fig.17

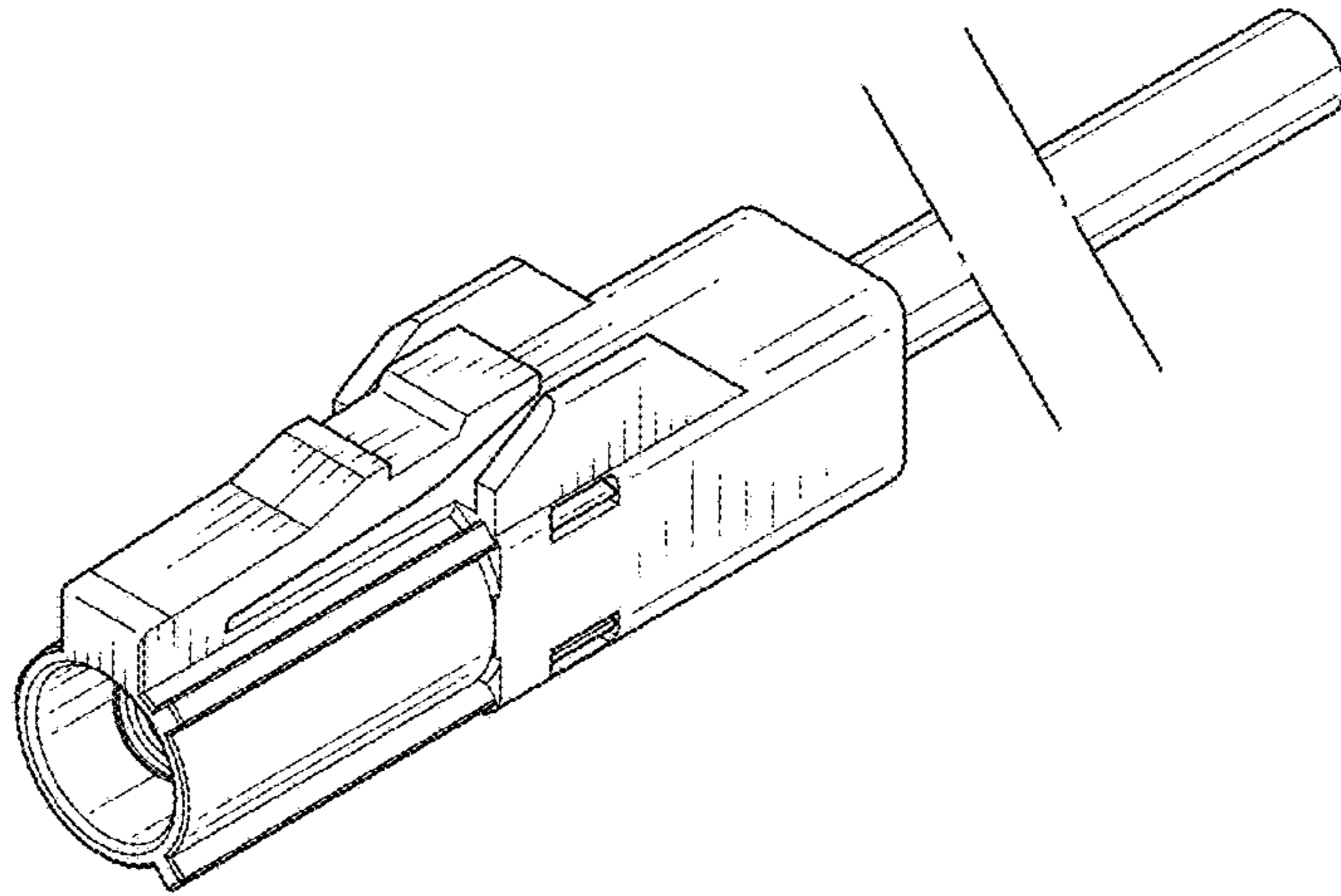


Fig.18

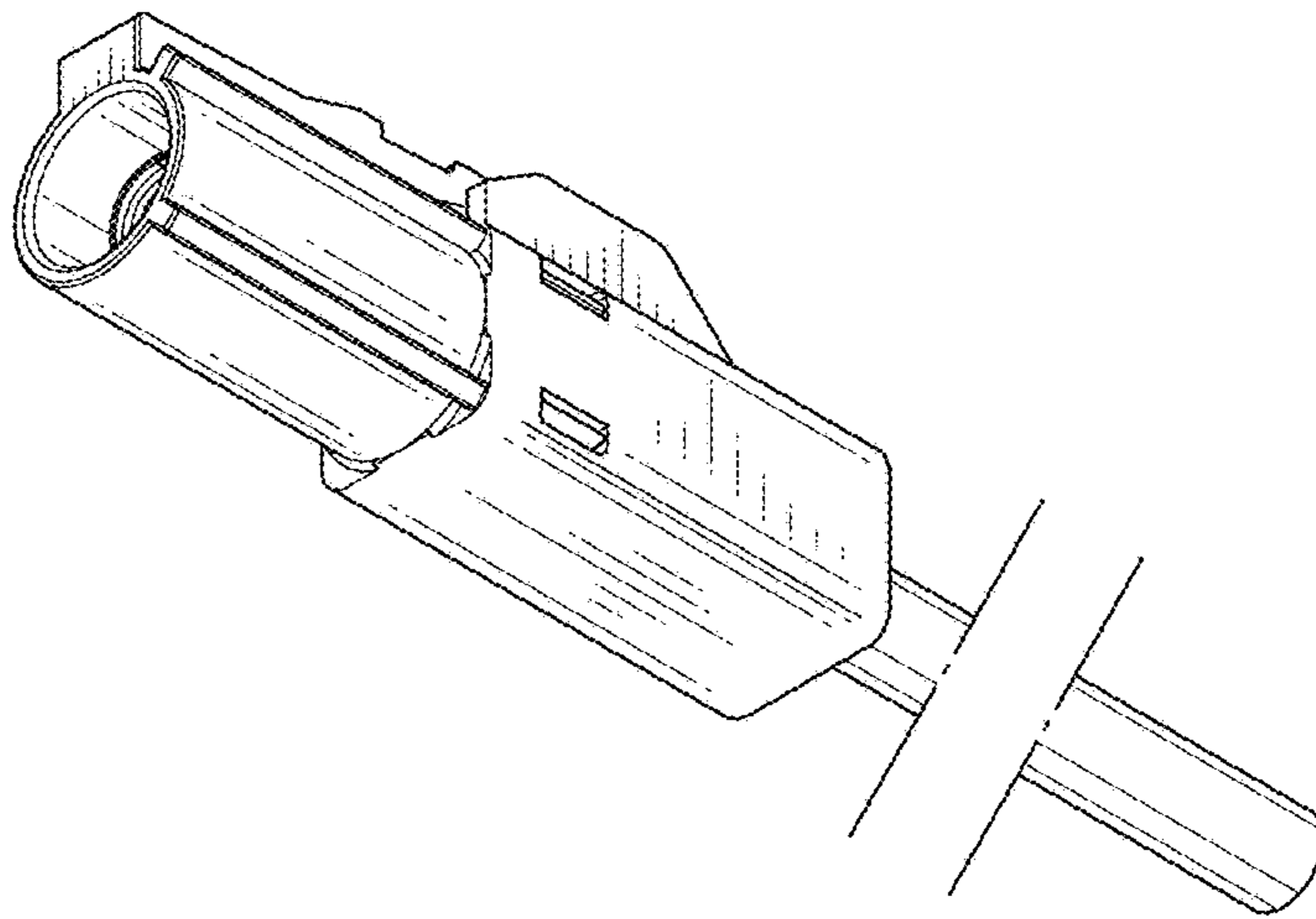


Fig.19

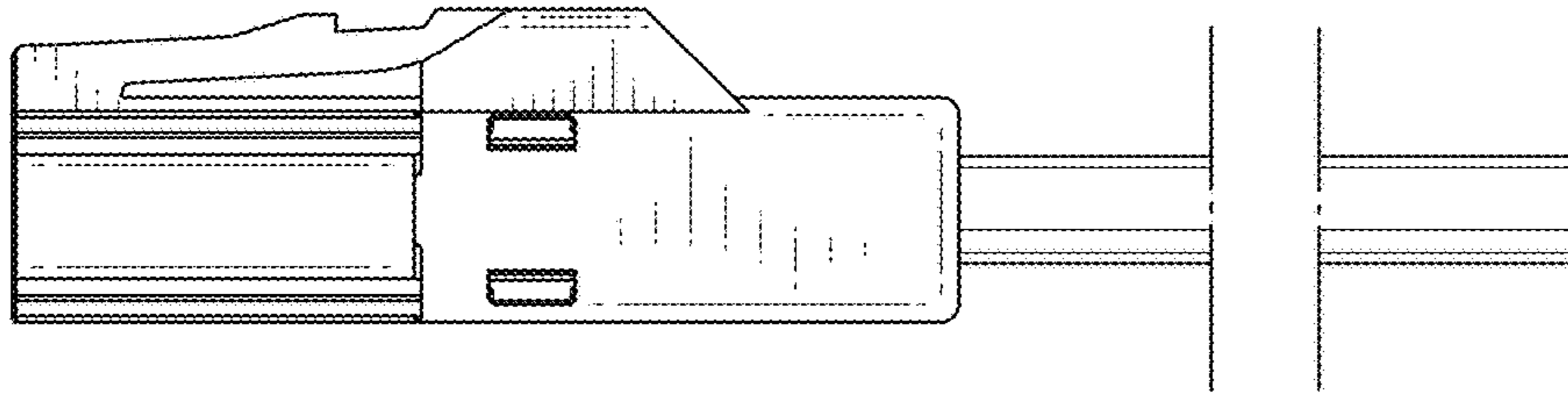


Fig.20

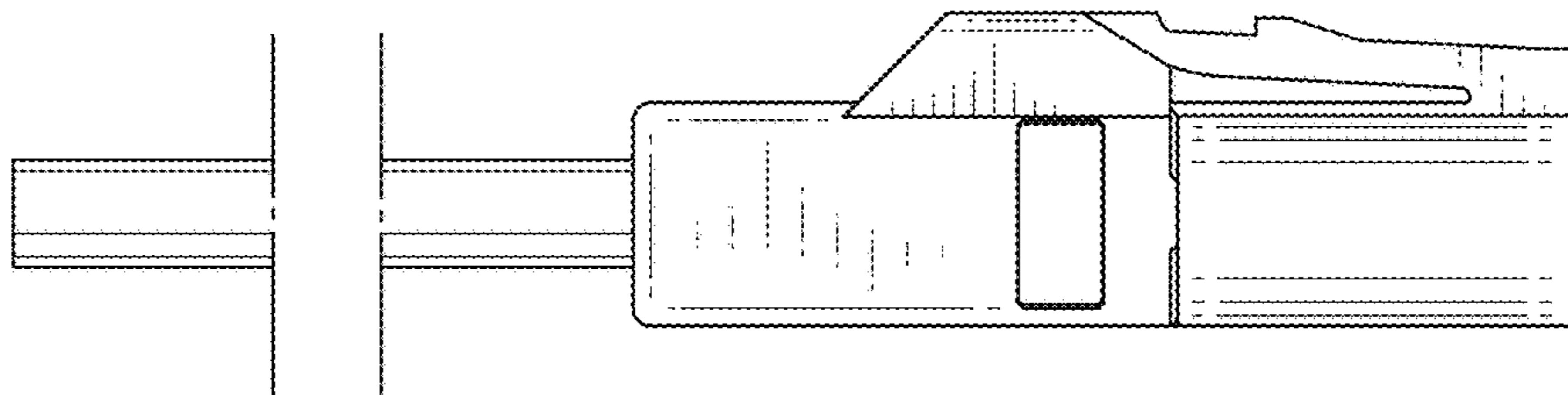


Fig.21

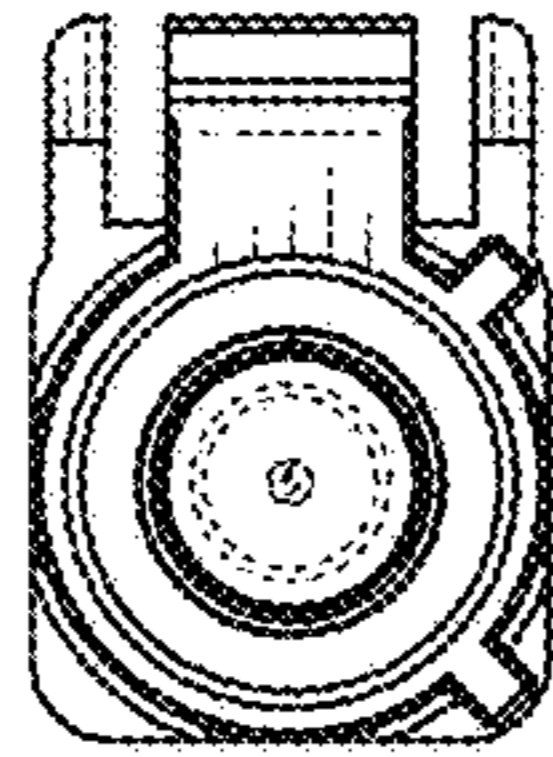


Fig.22

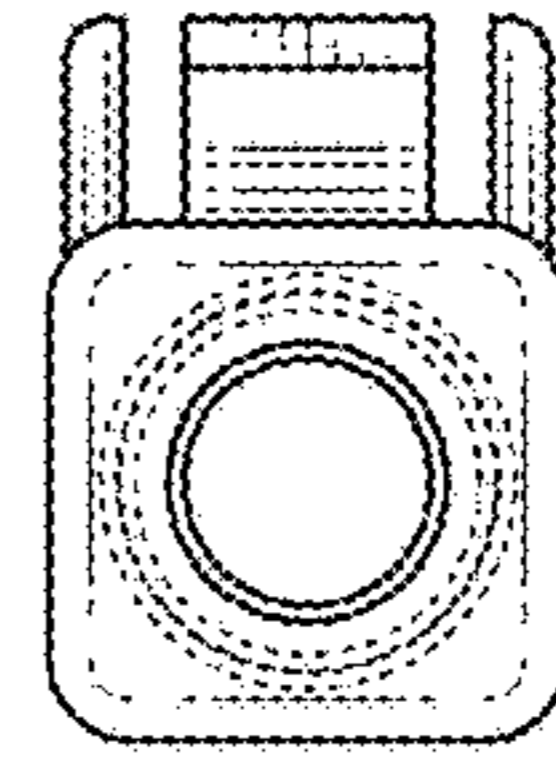


Fig.23

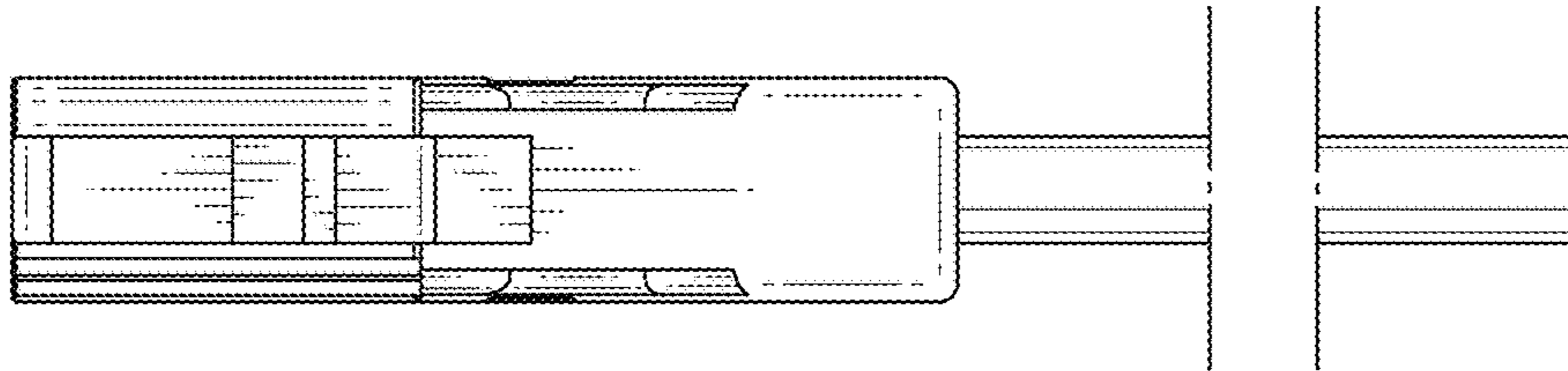


Fig.24

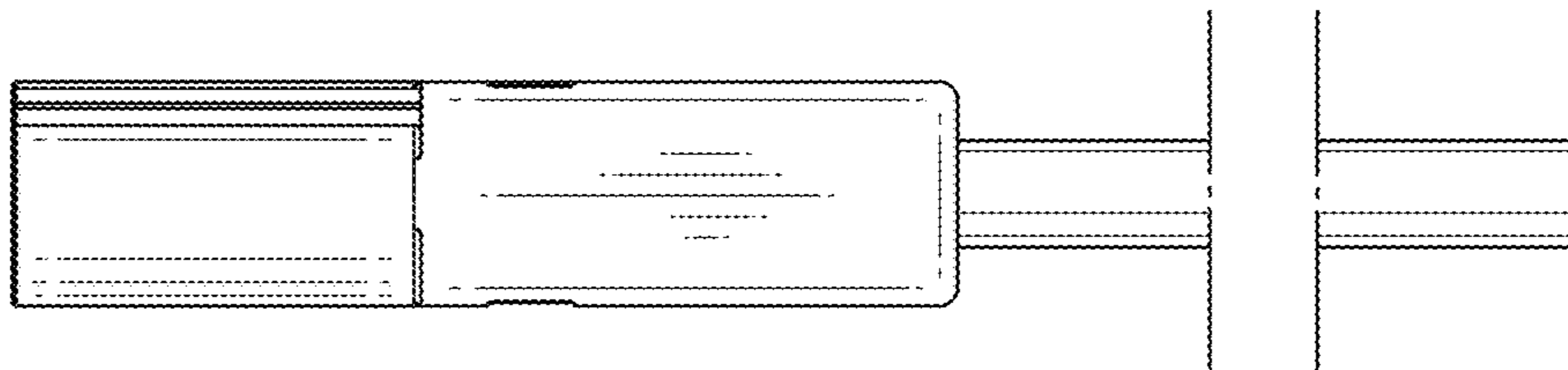


Fig.25

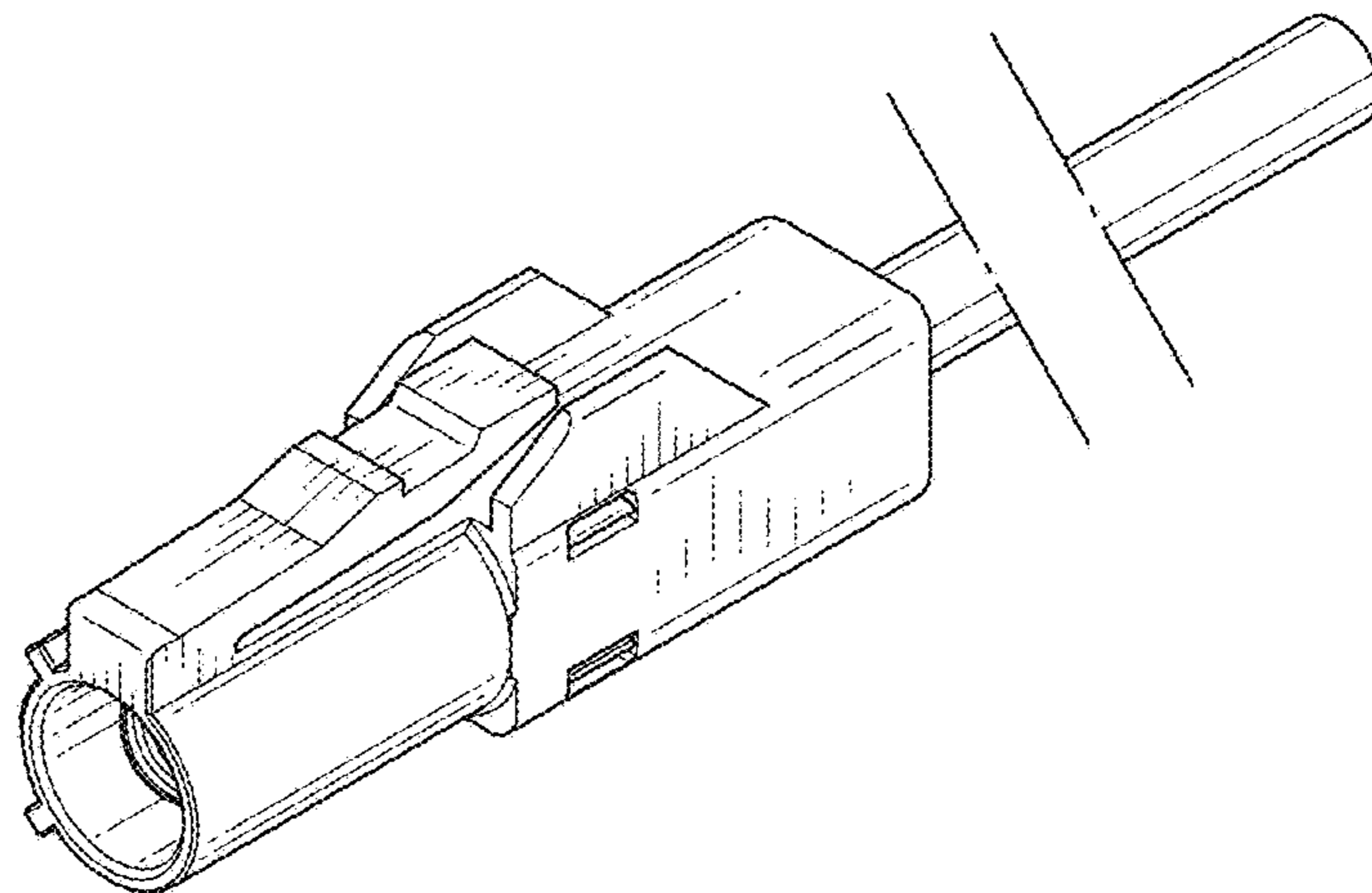


Fig.26

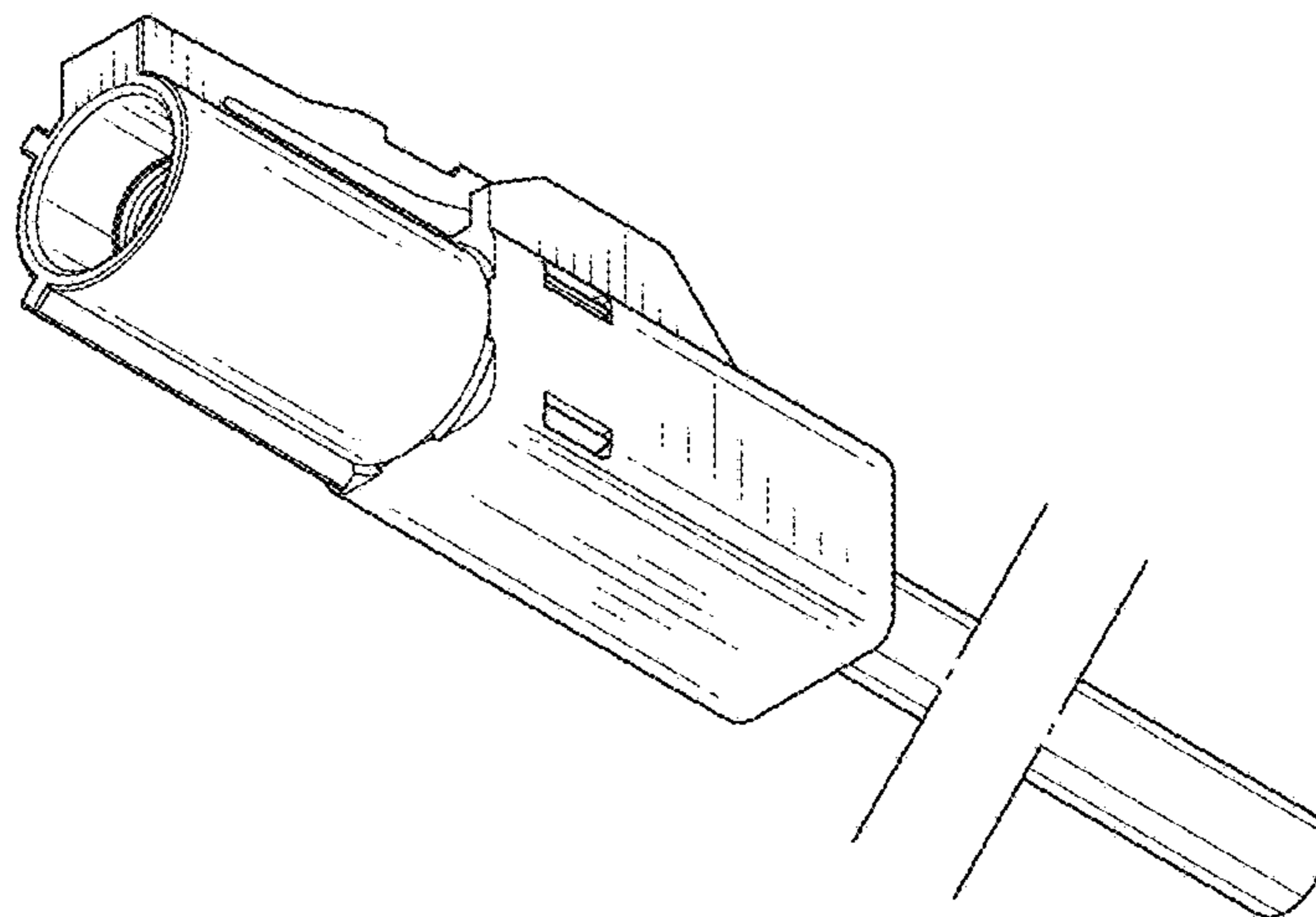


Fig.27

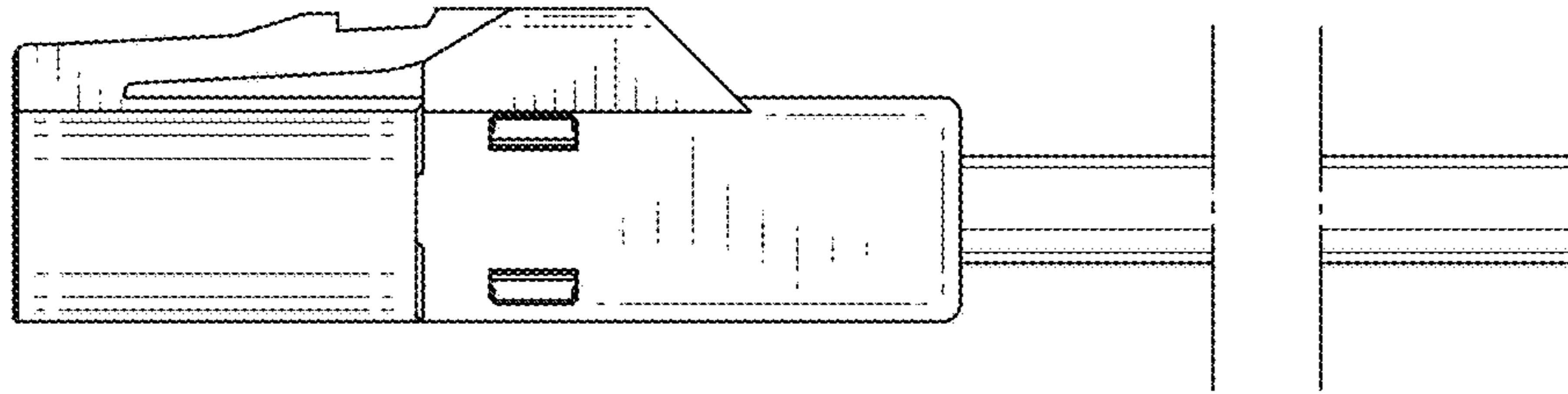


Fig.28

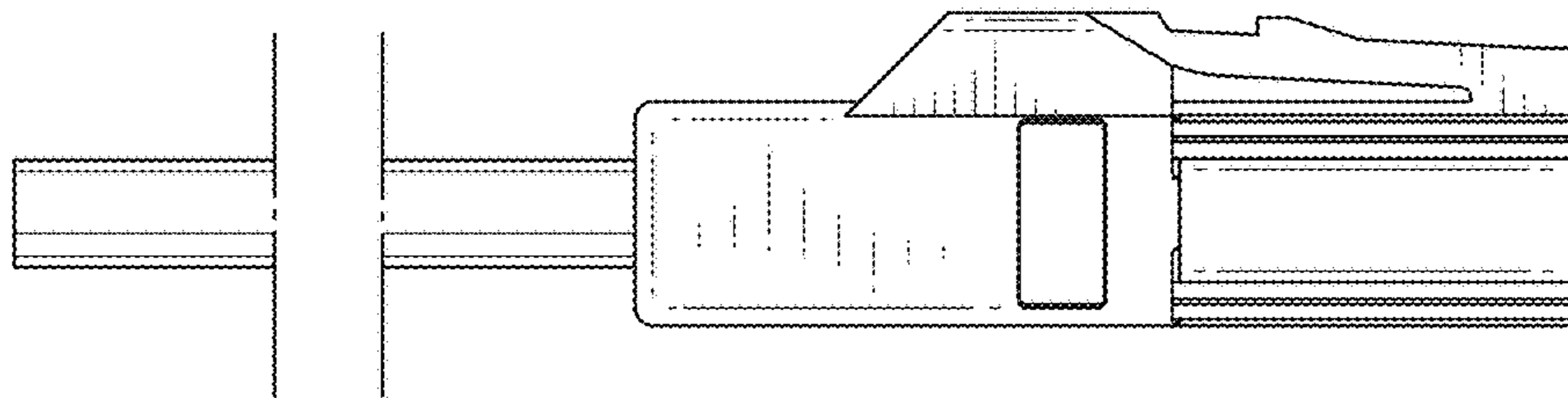


Fig.29

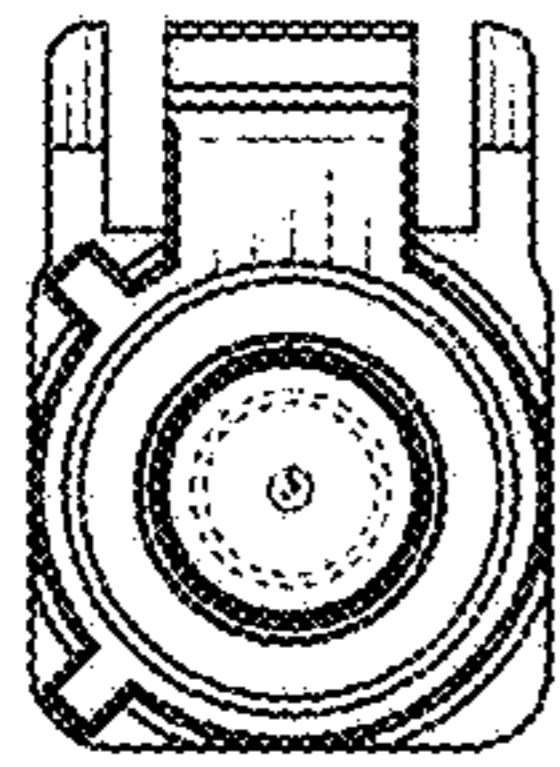


Fig.30

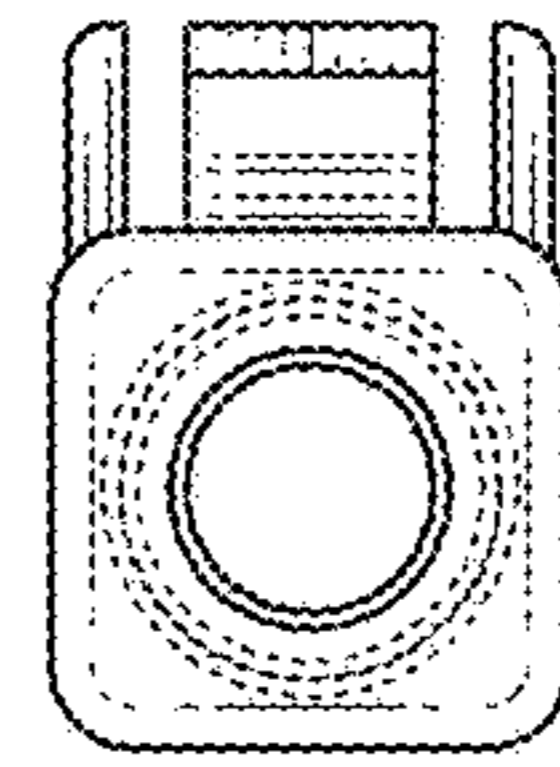


Fig.31

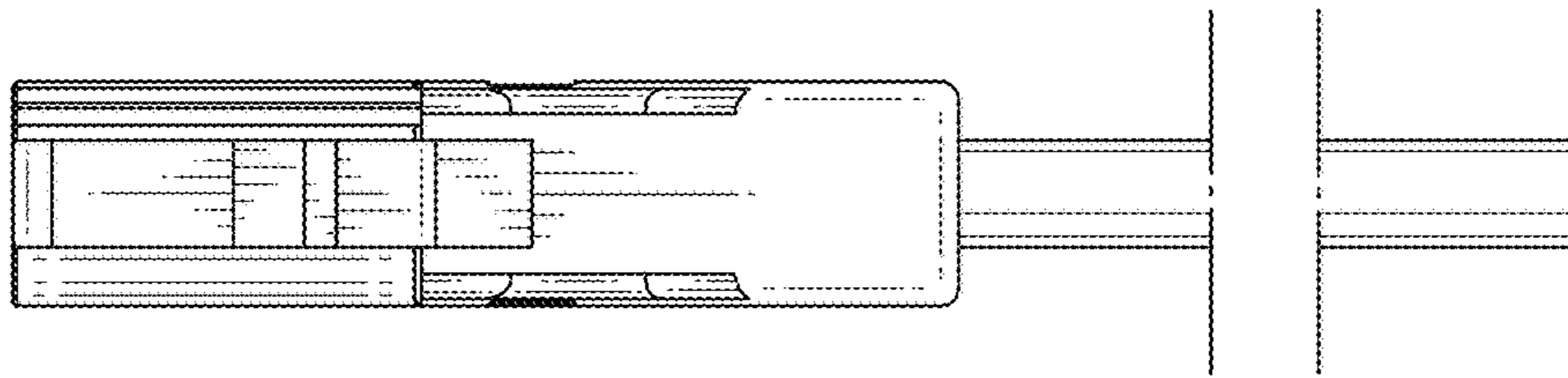


Fig.32

