



US00D852136S

(12) **United States Design Patent** (10) **Patent No.:** **US D852,136 S**
Yoshida et al. (45) **Date of Patent:** **** Jun. 25, 2019**

(54) **ROTOR FOR ROTARY ELECTRICAL MACHINE**

CPC H02K 1/28; H02K 1/2706; H02K 3/12; H02K 1/24; H02K 3/527; F16C 32/0468
See application file for complete search history.

(71) Applicant: **EBARA CORPORATION**, Tokyo (JP)

(56) **References Cited**

(72) Inventors: **Kazutaka Yoshida**, Tokyo (JP);
Norihiko Noro, Tokyo (JP); **Tadashi Kataoka**, Tokyo (JP)

U.S. PATENT DOCUMENTS

(73) Assignee: **EBARA CORPORATION**, Tokyo (JP)

(**) Term: **15 Years**

(21) Appl. No.: **29/618,864**

(22) Filed: **Sep. 25, 2017**

Related U.S. Application Data

(62) Division of application No. 29/524,081, filed on Apr. 16, 2015, now Pat. No. Des. 801,928.

(30) **Foreign Application Priority Data**

Oct. 17, 2014 (JP) 2014-023329
Oct. 17, 2014 (JP) 2014-023330
Oct. 17, 2014 (JP) 2014-023331
Oct. 17, 2014 (JP) 2014-023332

(51) **LOC (11) Cl.** **13-02**

(52) **U.S. Cl.**
USPC **D13/122**

(58) **Field of Classification Search**
USPC D13/110, 112, 122, 103; D23/255, 213, D23/249, 262, 259, 266; D9/435, 440, D9/447, 449, 450, 452, 454; D7/397, D7/296.2, 510, 511, 392.1; D27/101, D27/170, 162, 163, 164, 167; D15/143, D15/144, 148; D8/397, 343

D132,805 S * 6/1942 De Bothelo D9/452
D191,975 S * 12/1961 Lehman D23/213
3,403,274 A * 9/1968 Robison H02K 5/1672
310/90
D221,353 S * 8/1971 Hauser D15/148
3,694,906 A 10/1972 Rank et al.
D256,351 S 8/1980 Schulze
D283,819 S * 5/1986 Brown D15/148
4,614,888 A 9/1986 Mosher et al.
5,323,080 A 6/1994 Shahamat et al.
D353,600 S 12/1994 Glass
D441,715 S 5/2001 Sasaki et al.
D447,148 S 8/2001 Antony et al.
6,417,596 B1 * 7/2002 Schurter H02K 1/28
310/418
D479,541 S * 9/2003 Lannoch D15/148
(Continued)

FOREIGN PATENT DOCUMENTS

JP 2000-134839 A 5/2000

Primary Examiner — Brett Miller
(74) *Attorney, Agent, or Firm* — Pearne & Gordon LLP

(57) **CLAIM**

The ornamental design for a rotor for rotary electrical machine, as shown and described.

DESCRIPTION

FIG. 1 is a perspective view of a rotor for rotary electrical machine showing our new design;
FIG. 2 is a front view thereof, a bottom view and a plan view being identical thereto;
FIG. 3 is a rear view thereof;
FIG. 4 is a right side view thereof;
FIG. 5 is a left side view thereof; and,

(Continued)

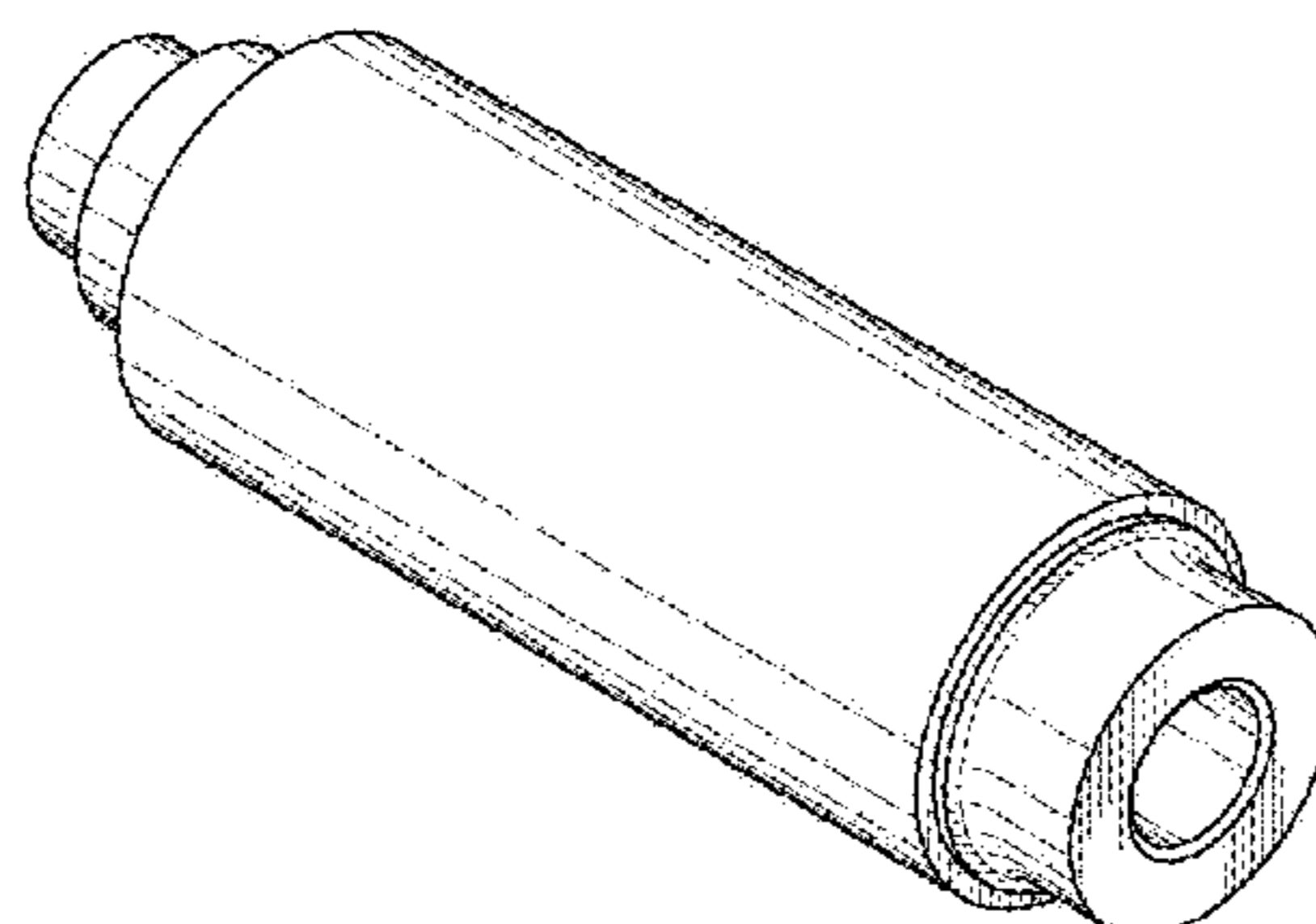


FIG. 6 is a cross-section view thereof taken along the line 6-6 of FIG. 4.

1 Claim, 2 Drawing Sheets

(56)

References Cited

U.S. PATENT DOCUMENTS

D498,820	S	*	11/2004	Fukai	D23/249
D532,699	S	*	11/2006	Mouquet	D9/449
D709,450	S	*	7/2014	Tanabe	D13/112
D726,110	S		4/2015	Wang et al.		
D741,260	S		10/2015	Yabuuchi et al.		
D772,478	S	*	11/2016	Liu	D27/167
D776,055	S		1/2017	Wallace et al.		
D801,928	S	*	11/2017	Yoshida	D13/122
D819,780	S	*	6/2018	Naslund	D23/213
2005/0184614	A1		8/2005	Lacaze		
2006/0022541	A1		2/2006	Ong et al.		
2008/0315691	A1		12/2008	Jeung		
2010/0225194	A1		9/2010	Bahadir		
2012/0049662	A1		3/2012	Ions		
2012/0062050	A1		3/2012	Hornig et al.		
2014/0097721	A1		4/2014	Lang et al.		
2015/0357871	A1		12/2015	Kim et al.		
2017/0012500	A1		1/2017	Brauer et al.		

* cited by examiner

FIG.1

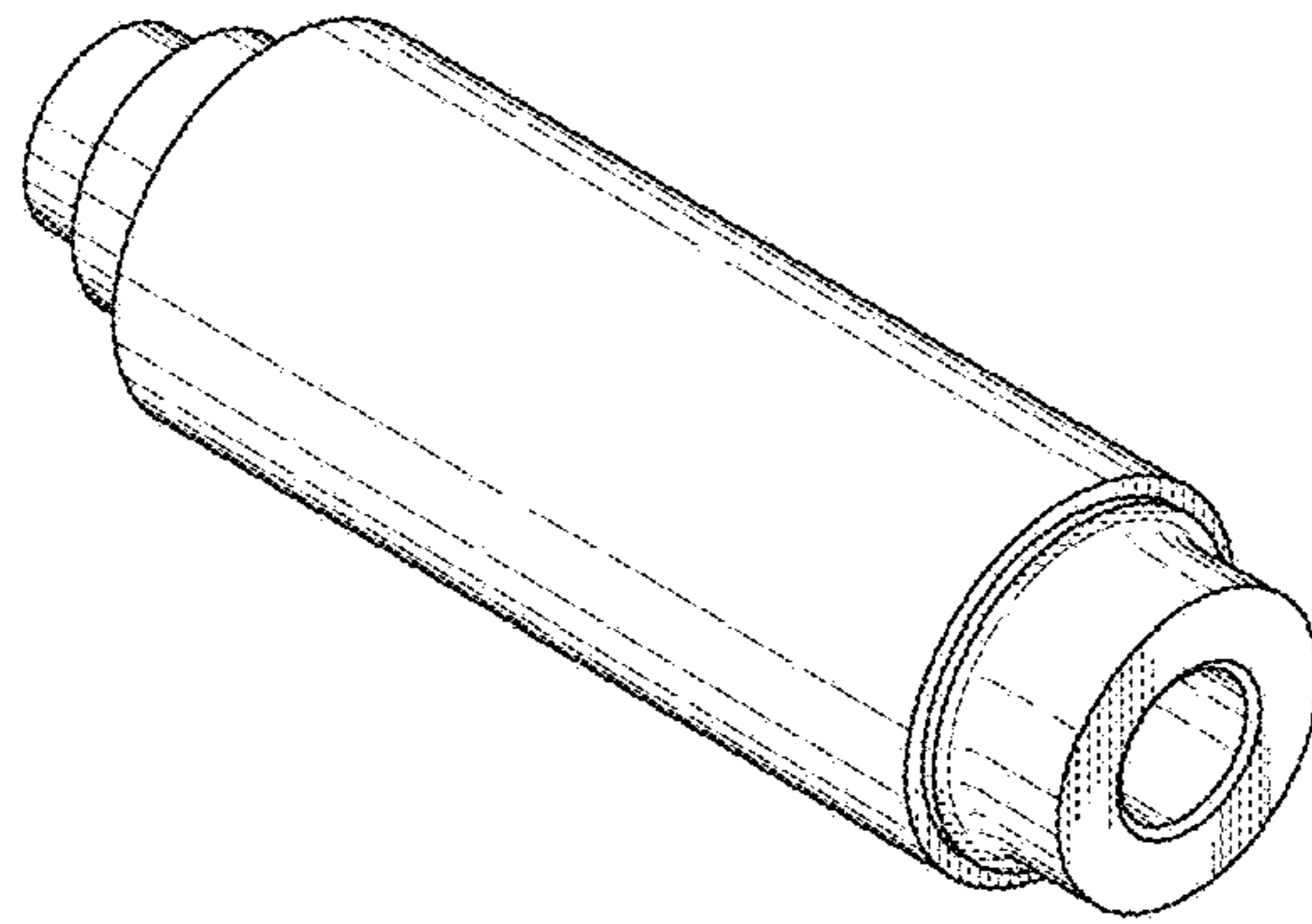


FIG.2

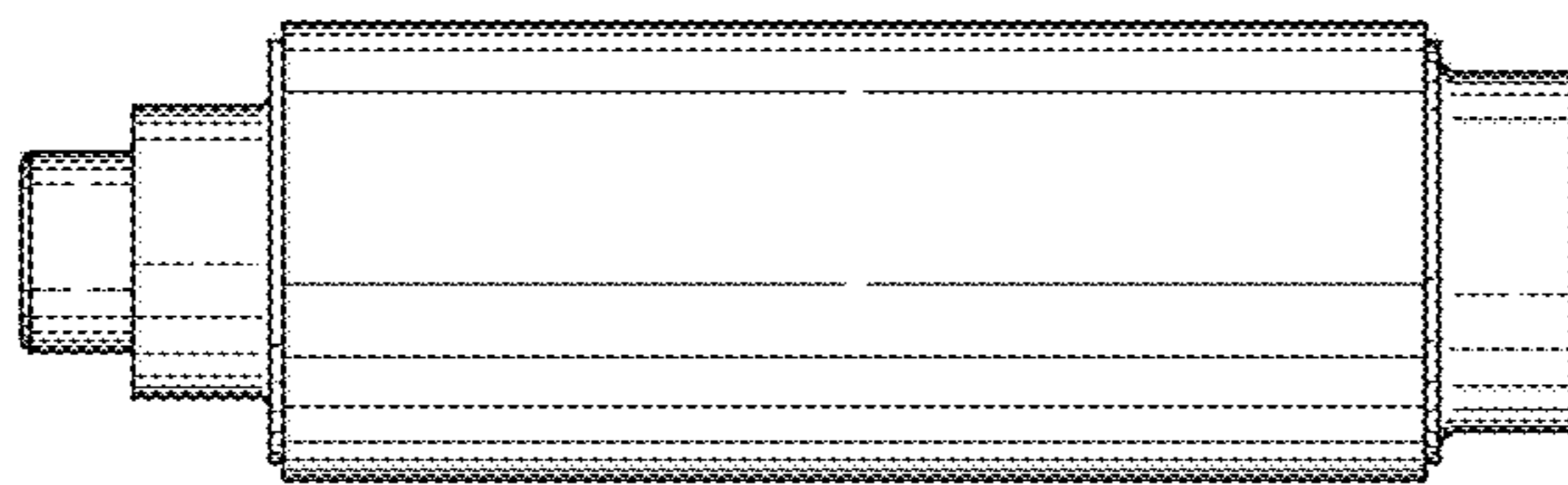


FIG.3

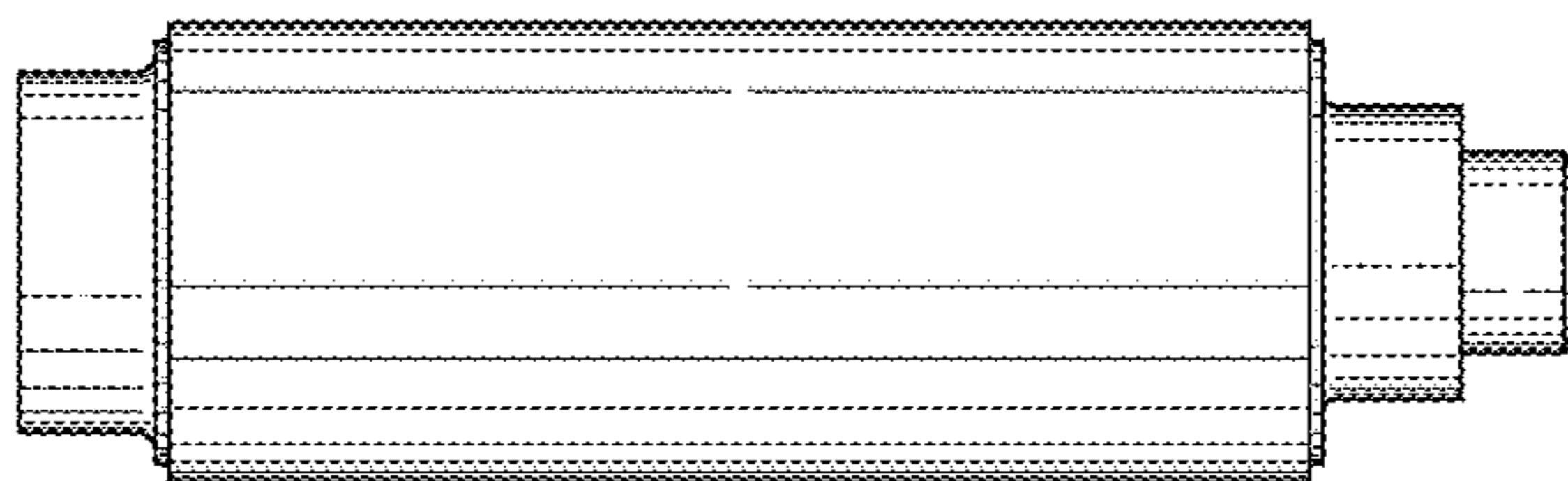


FIG.4

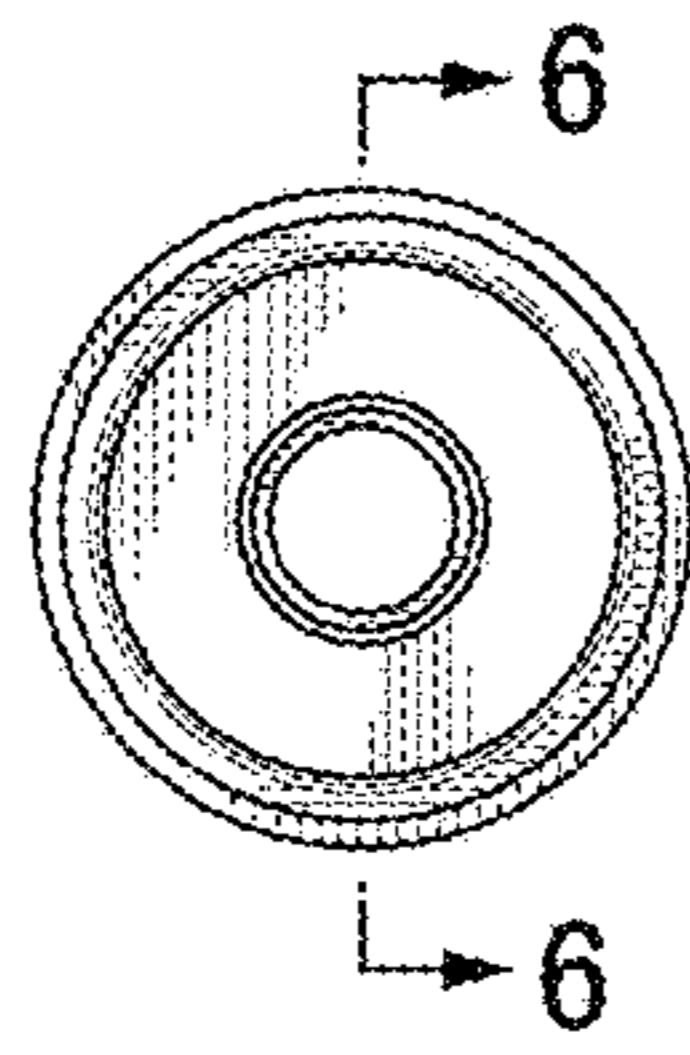


FIG.5

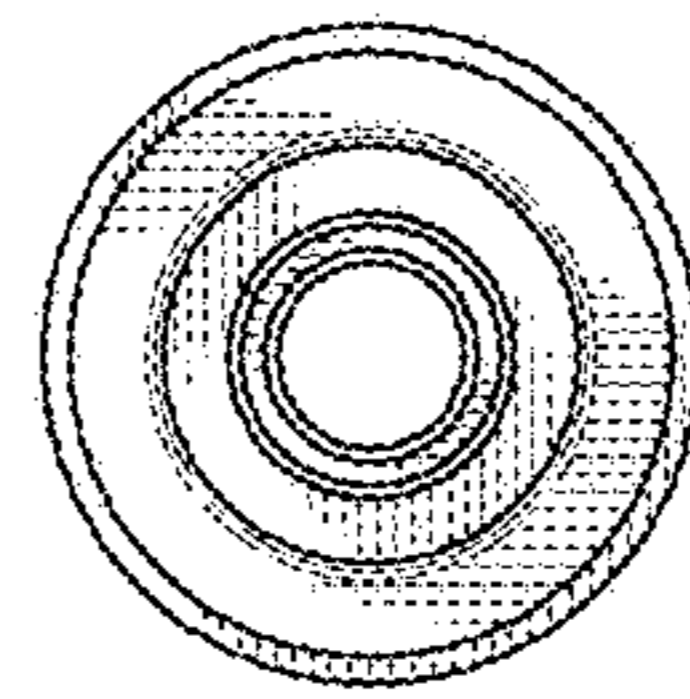


FIG.6

