



US00D852134S

(12) **United States Design Patent**  
**Mei**

(10) **Patent No.:** **US D852,134 S**  
(45) **Date of Patent:** **\*\* Jun. 25, 2019**

(54) **WIRELESS CHARGING STAND**

(71) Applicant: **SHENZHENSHI**  
**MINGLANGXINGSUJIAOMOJU**  
**YOUXIAN GONGSI, Shenzhen (CN)**

(72) Inventor: **Canjiao Mei, Yangchun (CN)**

(73) Assignee: **SHENZHENSHI**  
**MINGLANGXINGSUJIAOMOJU**  
**YOUXIAN GONGSI, Shenzhen (CN)**

(\*\*) Term: **15 Years**

(21) Appl. No.: **29/678,386**

(22) Filed: **Jan. 29, 2019**

(51) **LOC (11) Cl.** ..... **13-02**

(52) **U.S. Cl.**  
USPC ..... **D13/108**

(58) **Field of Classification Search**  
USPC ..... D13/107-110, 118-119, 184, 199;  
D14/251, 253, 432, 434  
CPC ..... Y02E 60/12; Y02T 90/14; Y02T 90/122;  
Y02T 90/128; Y02T 90/163; Y02T  
10/7005; Y02T 10/7088; H02J 7/025;  
H02J 7/0042; H02J 7/0044; H02J 7/0045;  
H02J 7/0003; H01F 38/14; H01R  
13/6675; H01M 2/1022; H01M 2/1055;  
H01M 10/44; H01M 10/46; H01M  
10/425; B60L 11/182

See application file for complete search history.

(56) **References Cited**

**U.S. PATENT DOCUMENTS**

D549,232 S \* 8/2007 Li ..... D14/434  
D638,789 S \* 5/2011 Markowitz ..... D13/108

D724,025 S \* 3/2015 Peek ..... D13/108  
D743,334 S \* 11/2015 Peek ..... D13/108  
D762,650 S \* 8/2016 Dang ..... D14/434  
D772,216 S \* 11/2016 Lau ..... D13/108  
D799,463 S \* 10/2017 Deng ..... D14/252  
9,843,214 B2 \* 12/2017 Peek ..... H02J 7/0042  
D813,805 S \* 3/2018 Zhong ..... D13/108  
D814,413 S \* 4/2018 Zhong  
9,996,055 B2 \* 6/2018 Wierenga ..... G04G 19/00  
D826,851 S \* 8/2018 Wang ..... D13/108  
D839,190 S \* 1/2019 Xie ..... D13/108  
2016/0261139 A1 \* 9/2016 Kidakarn ..... H02J 7/025

\* cited by examiner

*Primary Examiner* — Rosemary K Tarcza

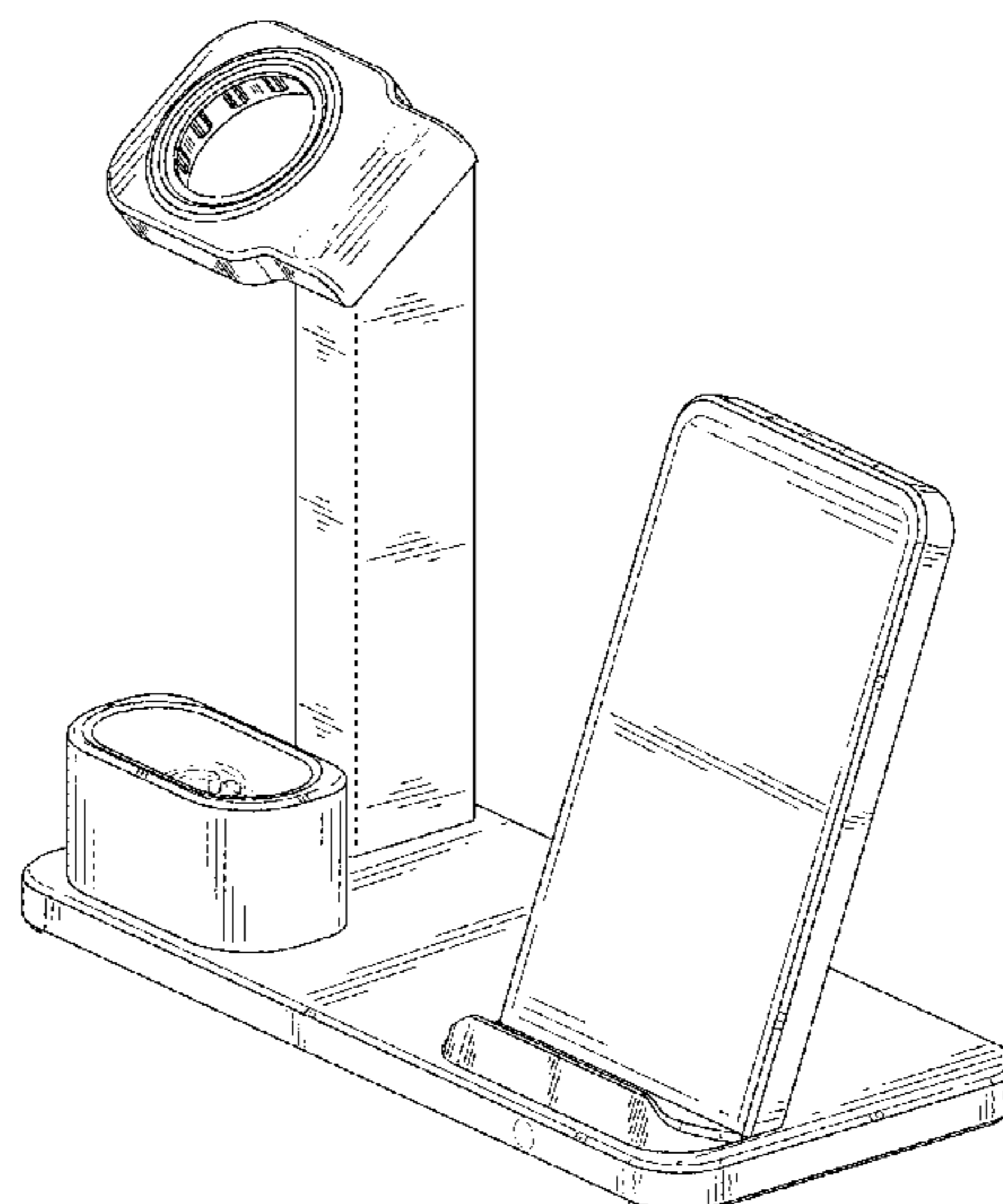
(57) **CLAIM**

The ornamental design for a wireless charging stand, as shown and described.

**DESCRIPTION**

FIG. 1 is a perspective view of a wireless charging stand showing my new design;  
FIG. 2 is another perspective view thereof;  
FIG. 3 is a front elevational view thereof;  
FIG. 4 is a rear elevational view thereof;  
FIG. 5 is a left side elevational view thereof;  
FIG. 6 is a right side elevational view thereof;  
FIG. 7 is a top plan view thereof; and,  
FIG. 8 is a bottom plan view thereof.  
The broken lines in the drawings illustrate portions of the wireless charging stand that form no part of the claimed design.

**1 Claim, 8 Drawing Sheets**



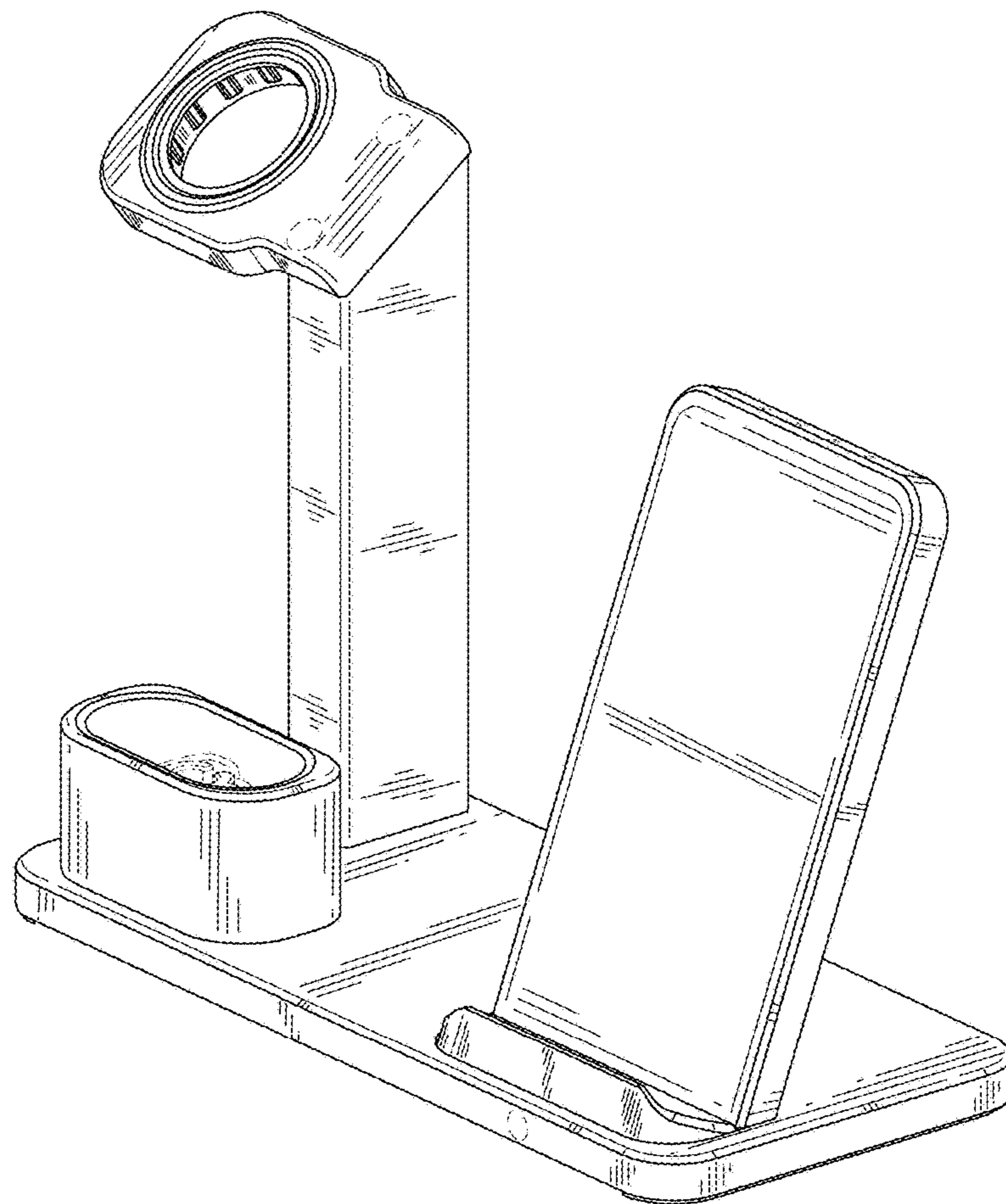


FIG. 1

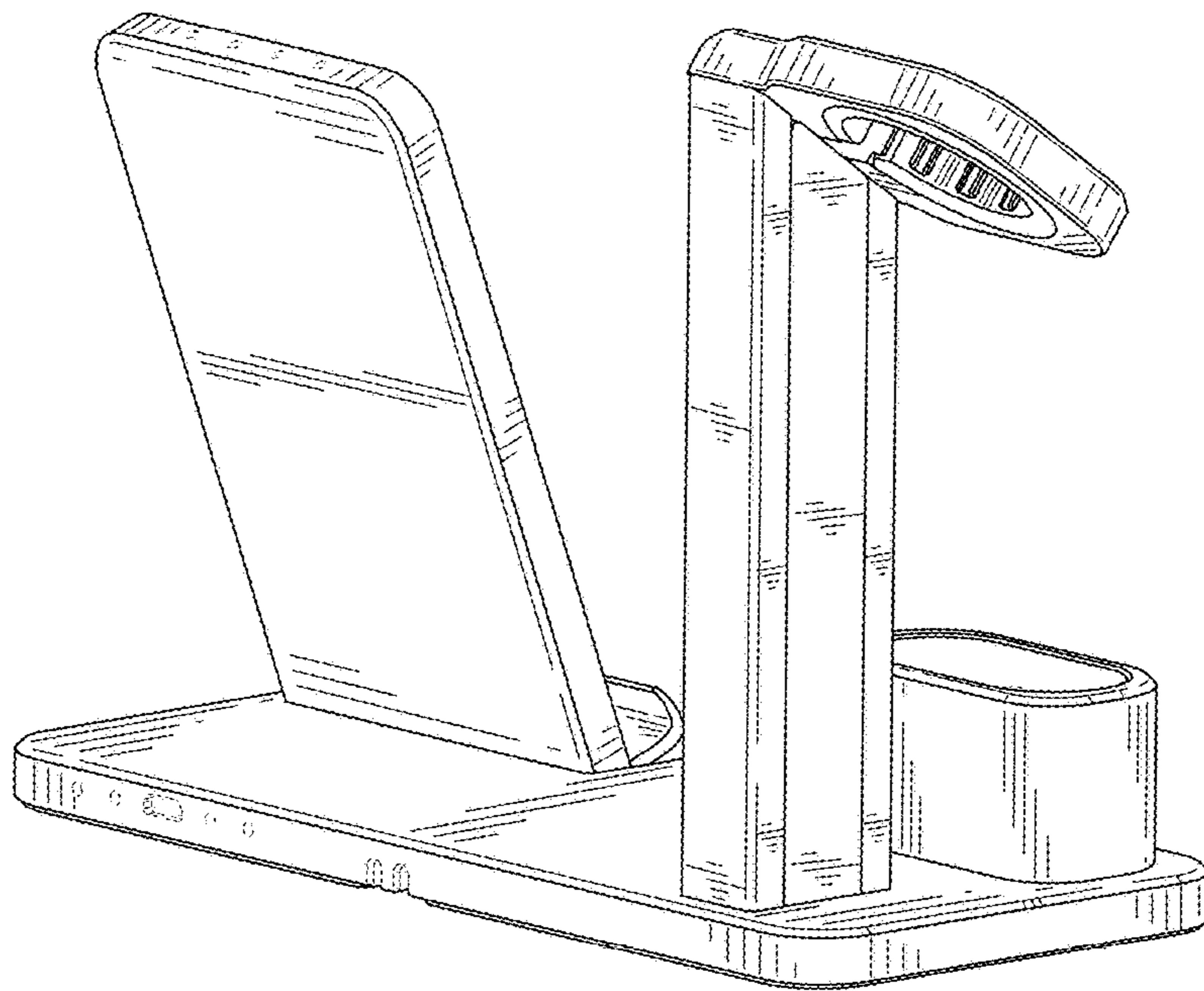


FIG. 2

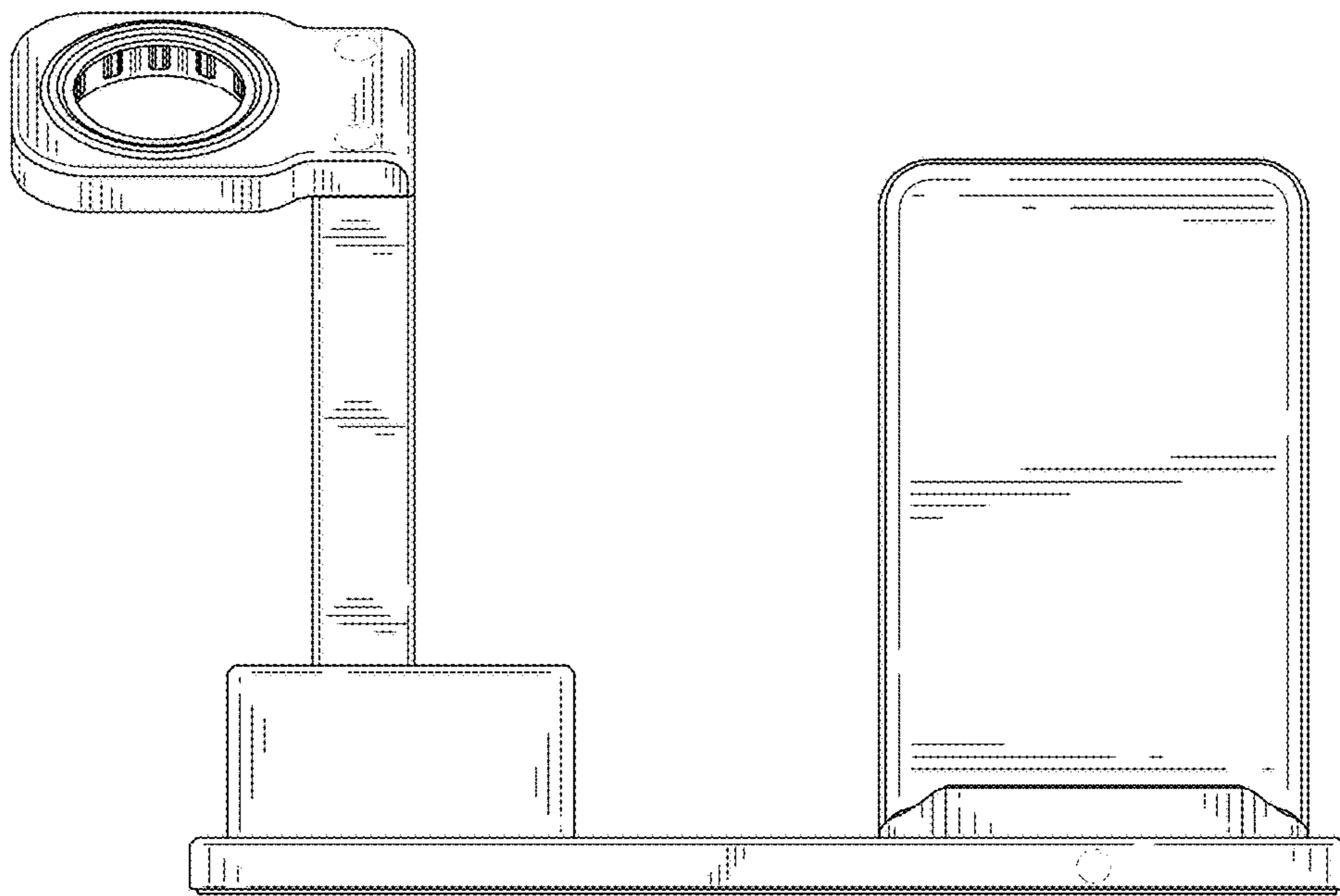


FIG. 3

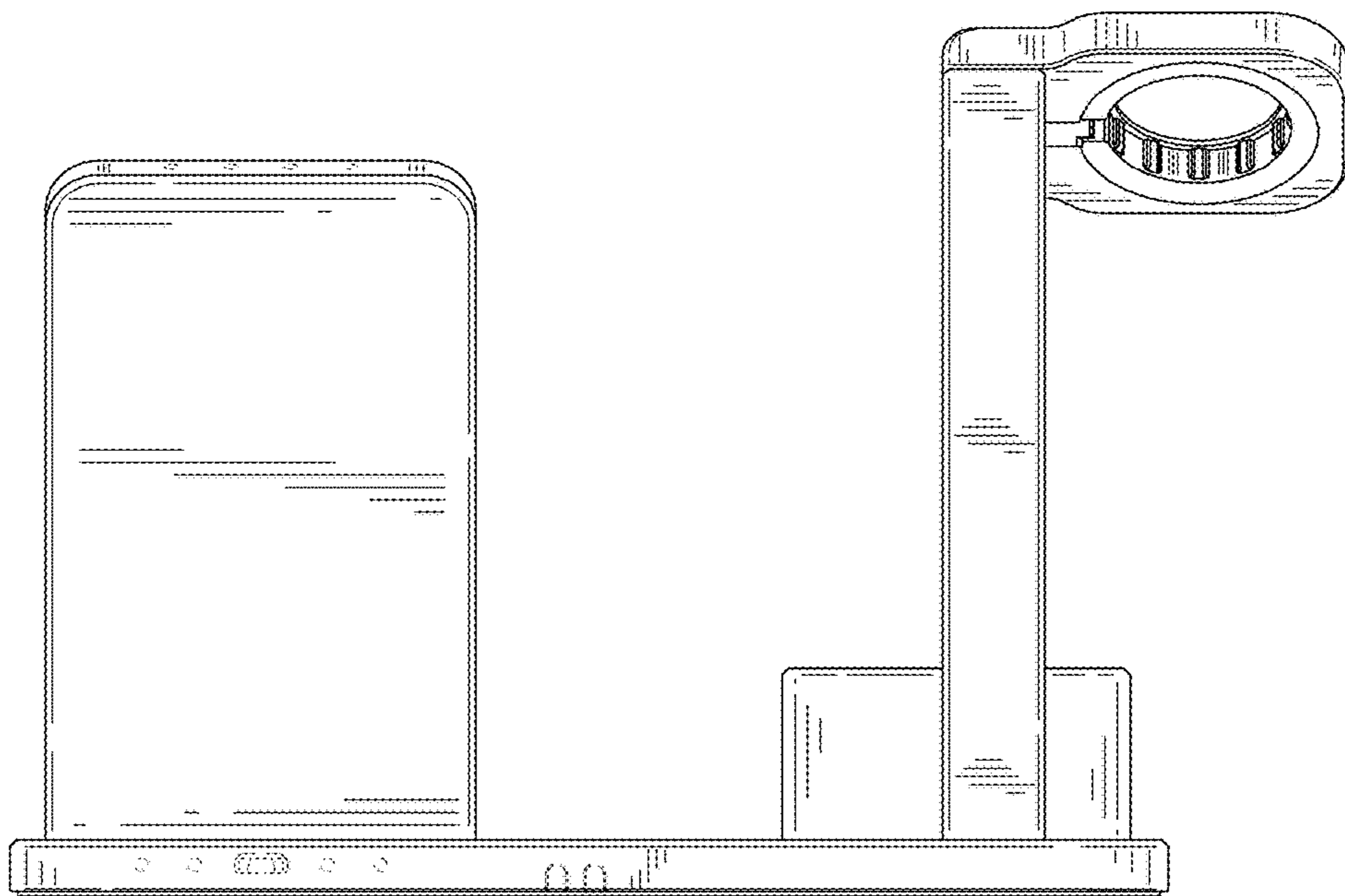


FIG. 4

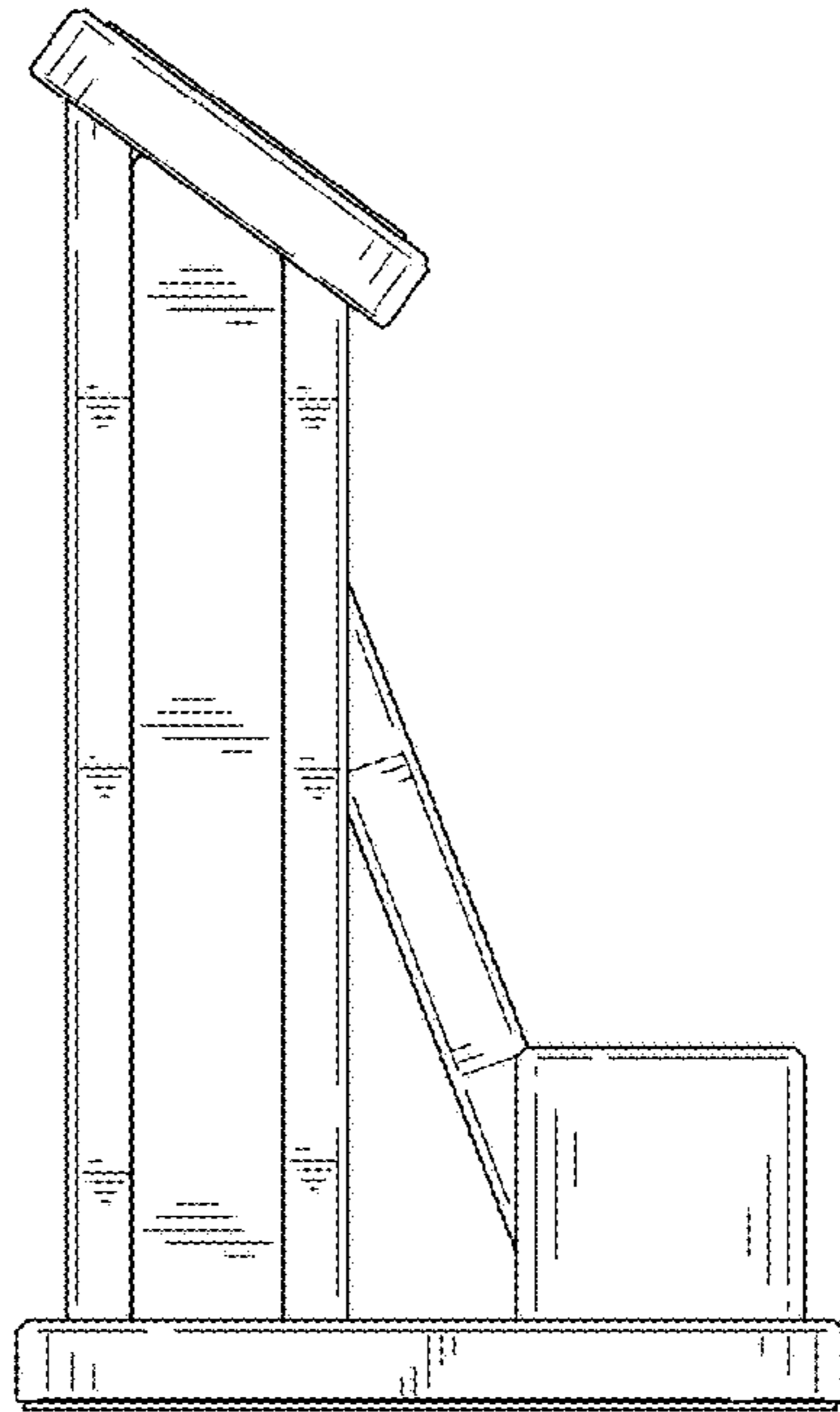


FIG. 5

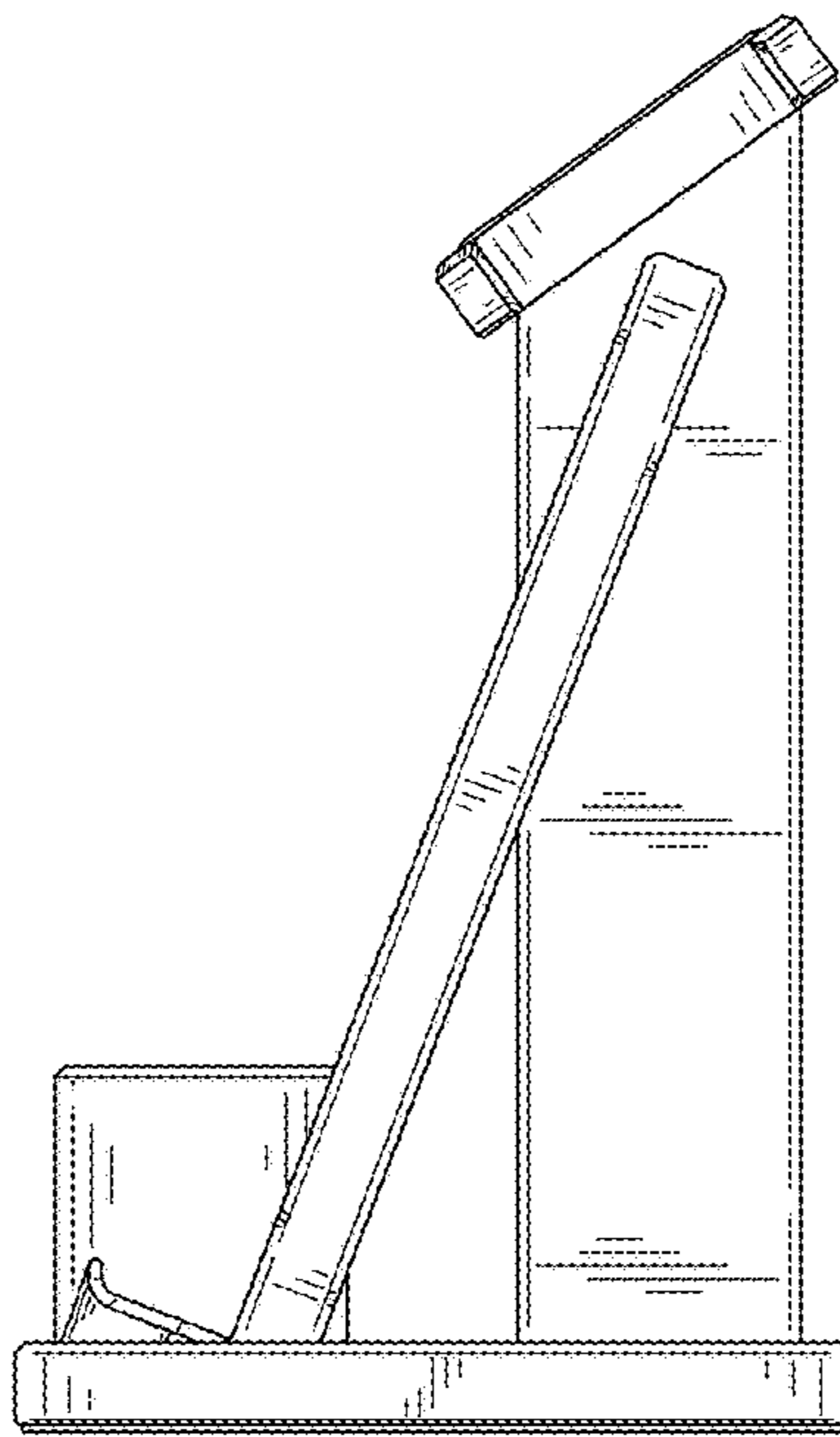


FIG. 6

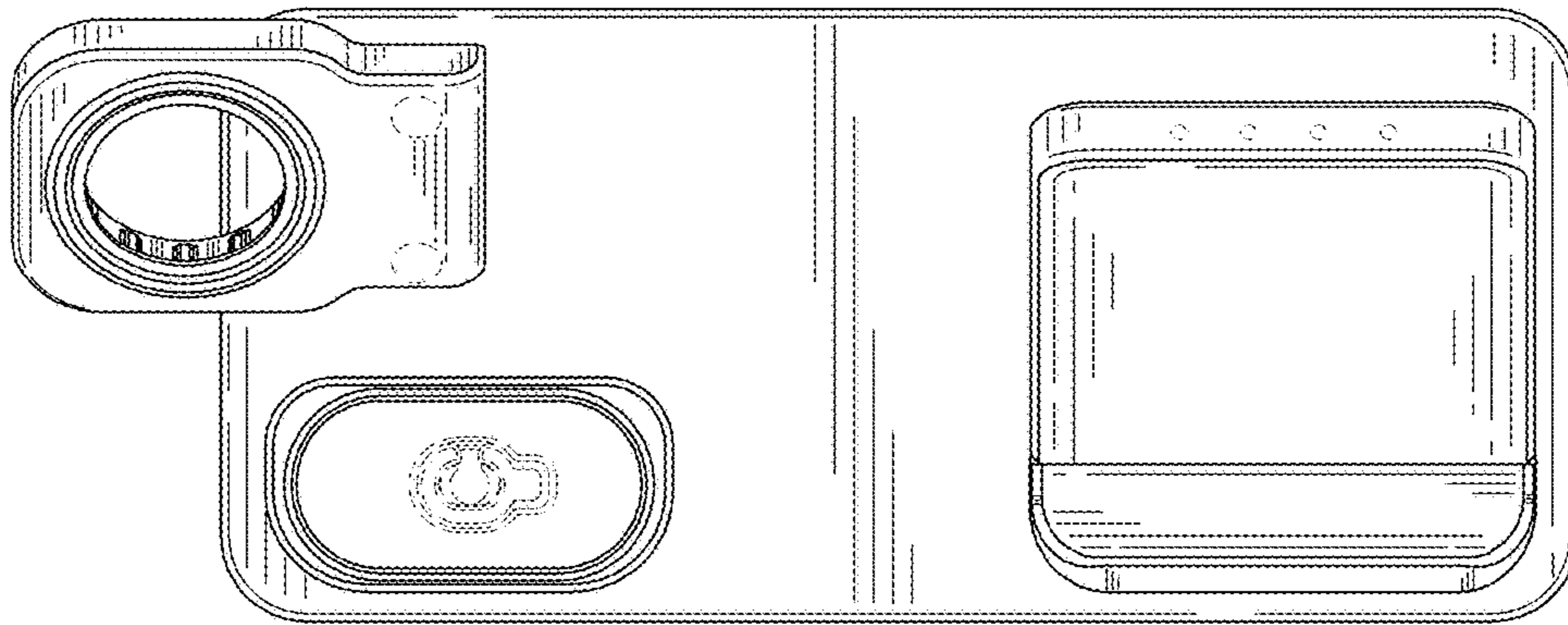


FIG. 7



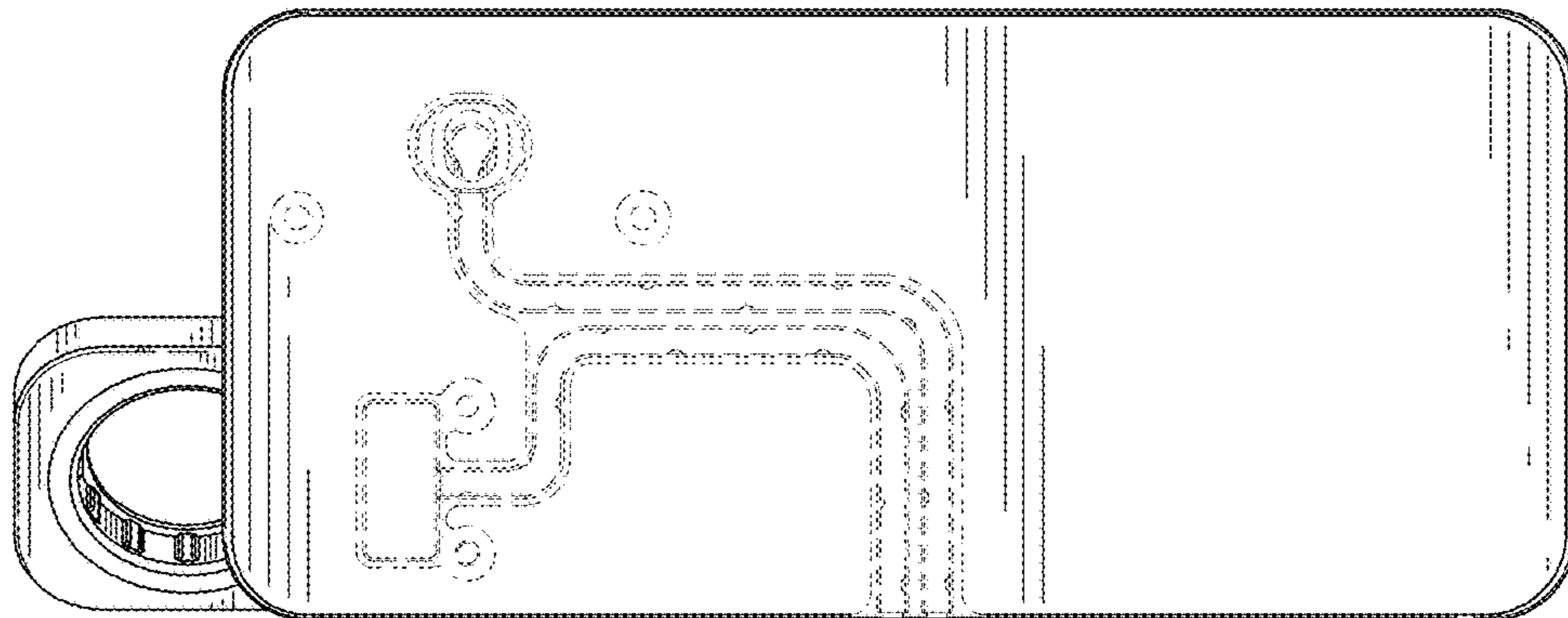


FIG. 8