



US00D852133S

(12) **United States Design Patent** (10) **Patent No.:** **US D852,133 S**  
**Rogala** (45) **Date of Patent:** **\*\* Jun. 25, 2019**

(54) **PHONE CHARGER**  
(71) Applicant: **PRACOWNIA KAROL ROGALA,**  
Gdansk (PL)  
(72) Inventor: **Karol Rogala,** Gdansk (PL)  
(73) Assignee: **Pracownia Karol Rogala,** Gdansk (PL)  
(\*\*) Term: **15 Years**  
(21) Appl. No.: **29/667,960**  
(22) Filed: **Oct. 26, 2018**  
(51) **LOC (11) Cl.** ..... **13-02**  
(52) **U.S. Cl.**  
USPC ..... **D13/108**  
(58) **Field of Classification Search**  
USPC ..... D13/107-110, 118-119, 184, 199;  
D14/251, 253, 432, 434  
CPC ..... Y02E 60/12; Y02T 90/14; Y02T 90/122;  
Y02T 90/128; Y02T 90/163; H02J 7/025;  
H02J 7/0042; H02J 7/0044; H02J 7/0045;  
H02J 7/0003; H01F 38/14; H01M 2/1022;  
H01M 2/1055; H01M 10/44; H01M  
10/46; H01M 10/425; B60L 11/182  
See application file for complete search history.

(56) **References Cited**  
U.S. PATENT DOCUMENTS  
D574,769 S \* 8/2008 Fisher ..... D13/108  
D637,951 S \* 5/2011 Perez ..... D13/108  
D642,121 S \* 7/2011 Lee ..... D13/108  
8,026,693 B2 \* 9/2011 Burley ..... H01M 10/44  
320/108

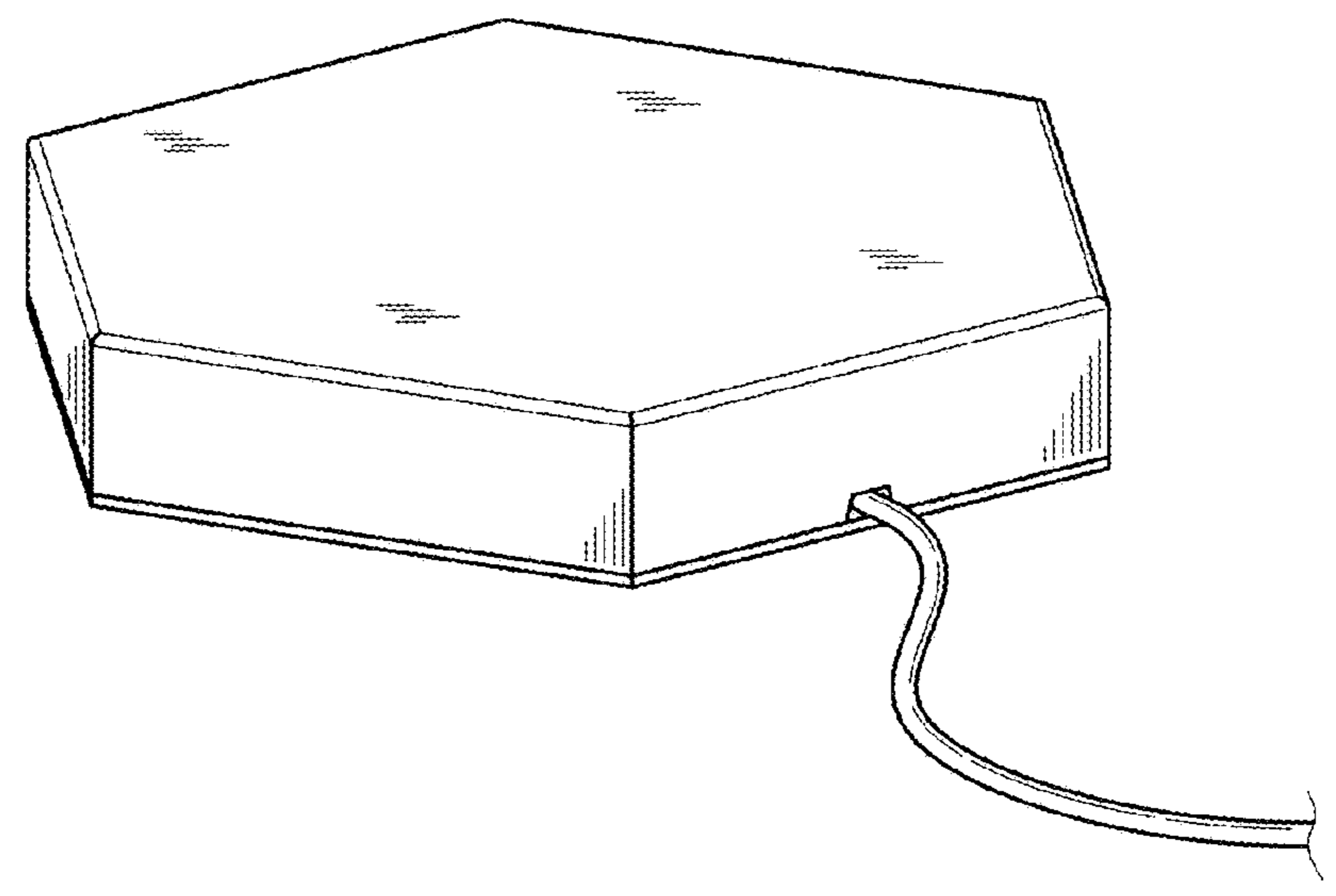
D656,097 S \* 3/2012 Nomi ..... D13/108  
D672,715 S \* 12/2012 Brunner ..... D13/110  
D707,627 S \* 6/2014 Brunner ..... D13/110  
D719,507 S \* 12/2014 Ogihara ..... D13/108  
D722,023 S \* 2/2015 Brunner ..... D13/110  
D722,962 S \* 2/2015 Kim ..... D13/108  
D723,459 S \* 3/2015 Dang ..... D13/108  
D723,461 S \* 3/2015 Chen ..... D13/108  
D729,163 S \* 5/2015 Meyer ..... D13/107  
D730,824 S \* 6/2015 Palmer ..... D13/108  
D760,647 S \* 7/2016 Chen ..... D13/103  
D786,791 S \* 5/2017 Jeong ..... D13/108  
D788,700 S \* 6/2017 Yang ..... D13/108  
D793,958 S \* 8/2017 Rautiainen ..... D13/108  
D812,560 S \* 3/2018 Xu ..... D13/107  
D817,270 S \* 5/2018 Kim ..... D13/108  
D826,151 S \* 8/2018 Akana ..... D13/108

\* cited by examiner  
*Primary Examiner* — Rosemary K Tarcza  
(74) *Attorney, Agent, or Firm* — Andrew Malarz

(57) **CLAIM**  
The ornamental design for a phone charger, as shown and described.

**DESCRIPTION**  
FIG. 1 is a front elevational view of a phone charger in a marble case showing my new design;  
FIG. 2 is a rear elevational view thereof;  
FIG. 3 is a top plan view thereof;  
FIG. 4 is a bottom plan view thereof;  
FIG. 5 is a right side elevational view thereof;  
FIG. 6 is a left side elevational plan view; and,  
FIG. 7 is a right side perspective view thereof.

**1 Claim, 5 Drawing Sheets**



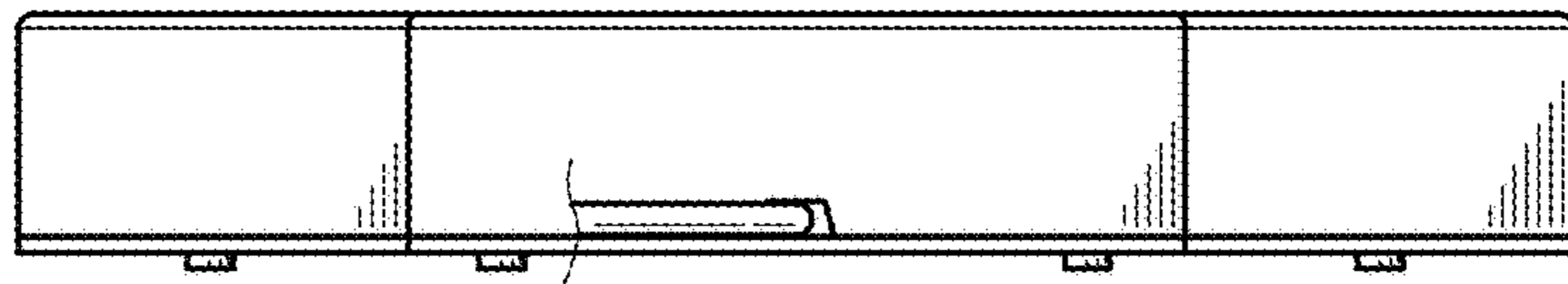


FIG.1



FIG.2

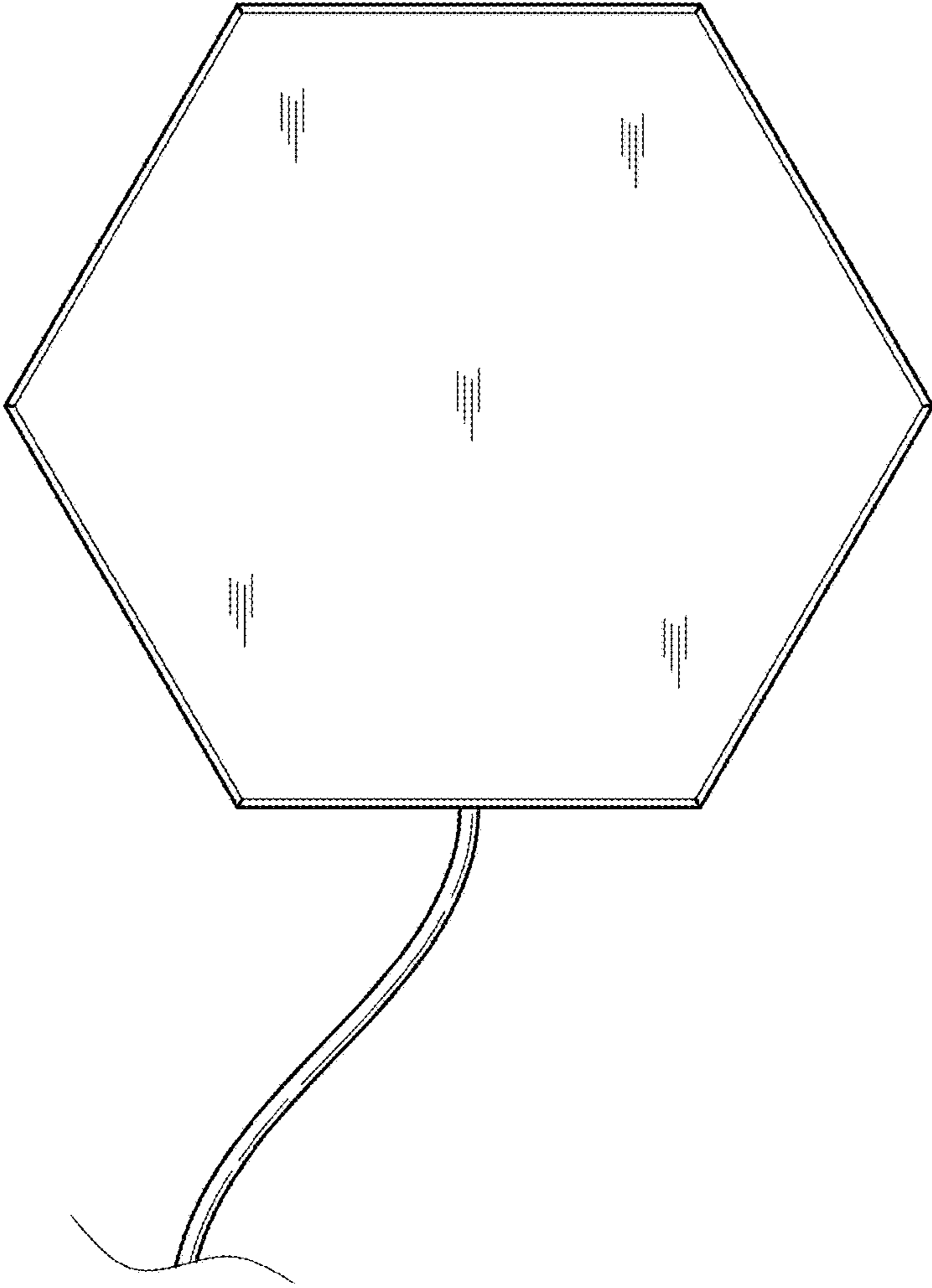


FIG.3

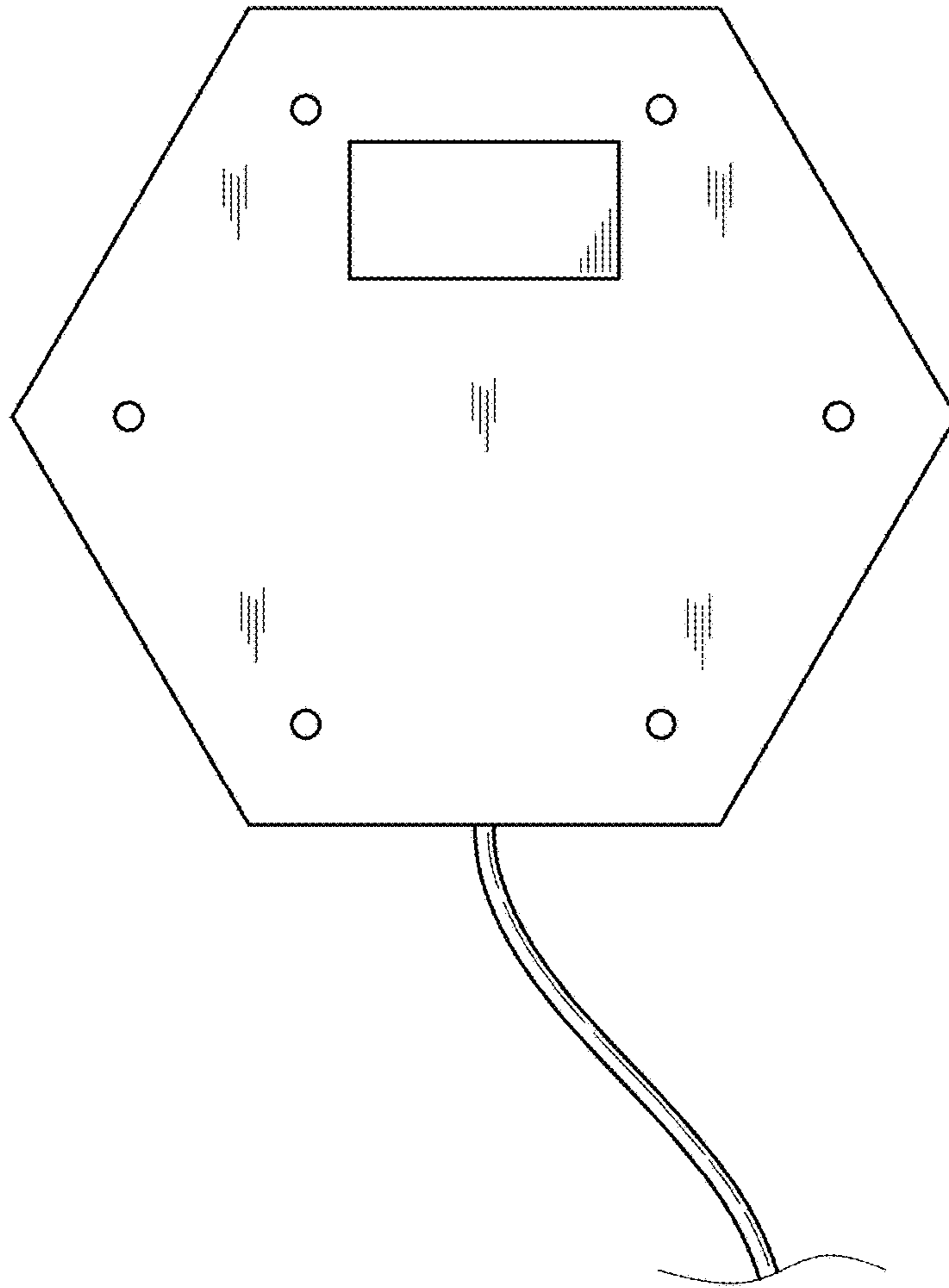


FIG.4

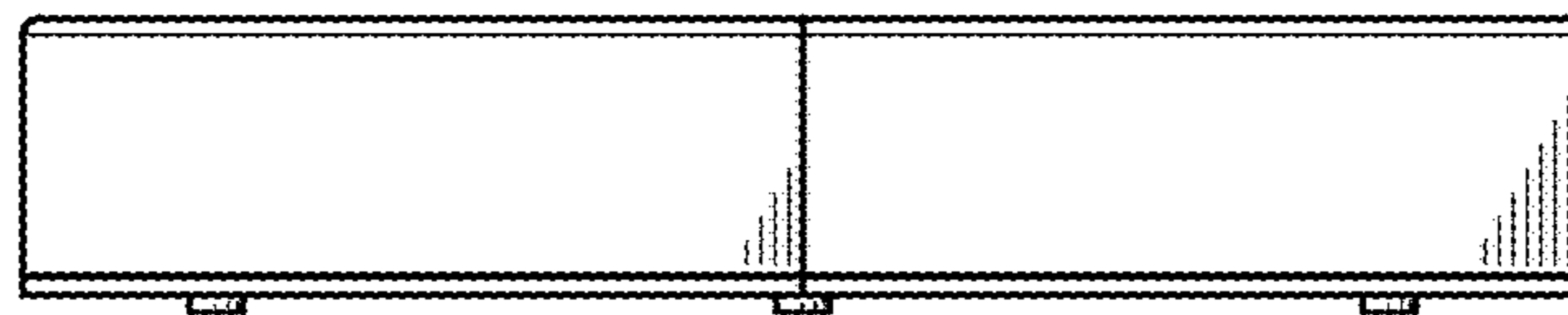


FIG.5

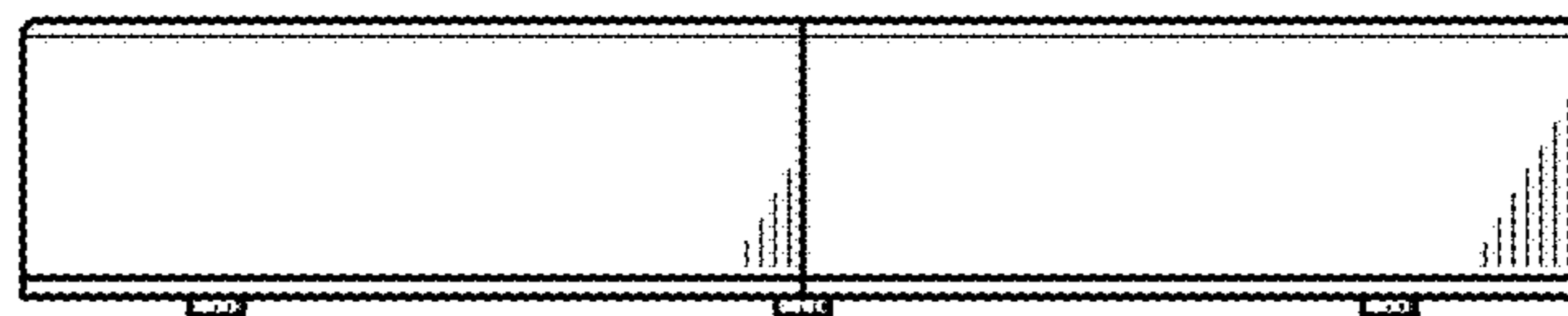


FIG.6

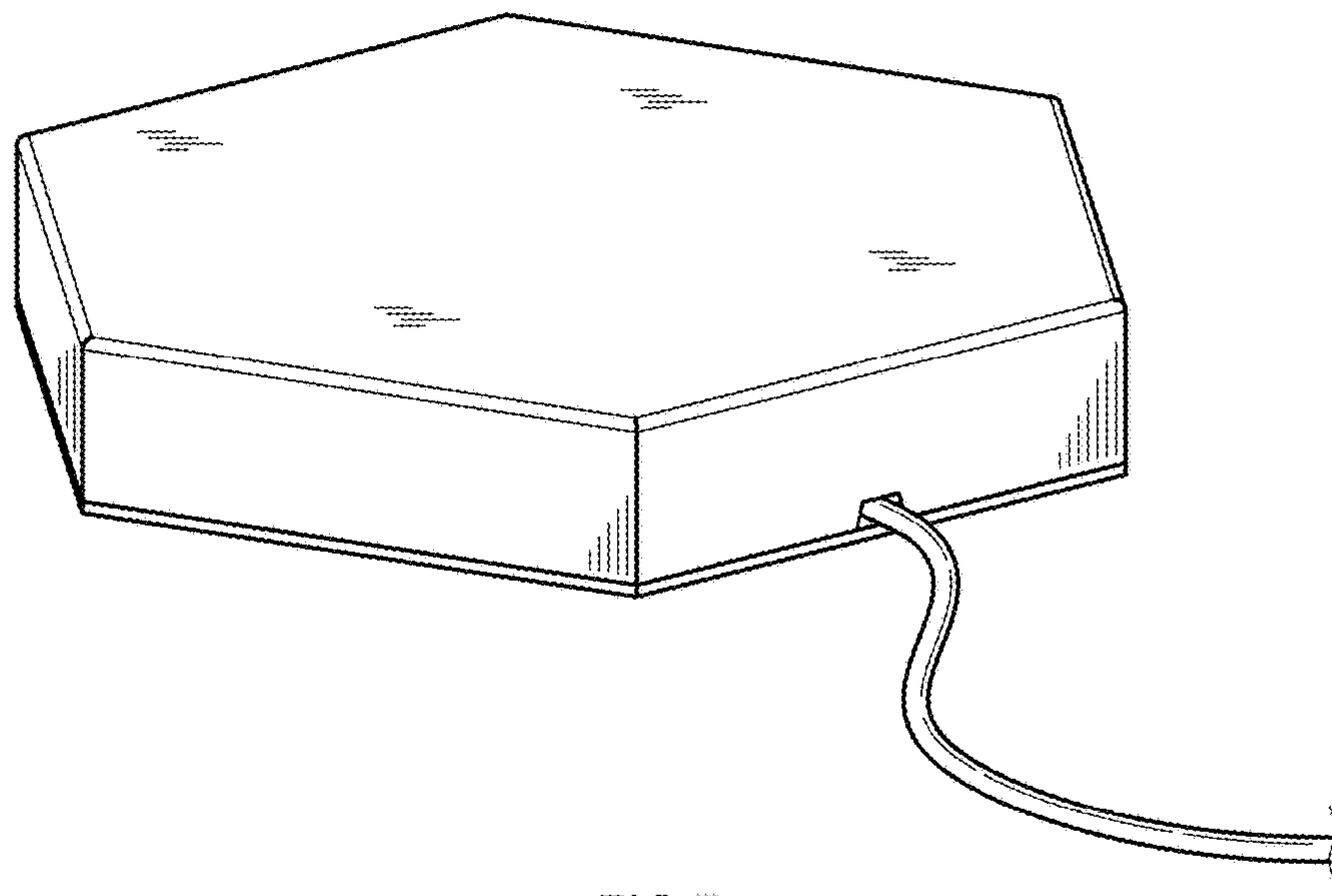


FIG.7