



US00D852130S

(12) **United States Design Patent**
Siminoff et al.

(10) **Patent No.:** **US D852,130 S**
(45) **Date of Patent:** **** Jun. 25, 2019**

(54) **SOLAR-CHARGING MOUNTING BRACKET FOR VIDEO DOORBELL**

(71) Applicant: **Ring Inc.**, Santa Monica, CA (US)

(72) Inventors: **Mark Siminoff**, Mountain View, CA (US); **Matthew J. England**, Santa Monica, CA (US)

(73) Assignee: **Amazon Technologies, Inc.**, Seattle, WA (US)

(**) Term: **15 Years**

(21) Appl. No.: **29/622,167**

(22) Filed: **Oct. 14, 2017**

(51) **LOC (11) Cl.** **13-02**

(52) **U.S. Cl.**
USPC **D13/102**

(58) **Field of Classification Search**
USPC D13/101, 102, 118, 184, 199; D26/67, D26/68, 69, 70, 87, 93
CPC H02J 7/00; H02J 7/35; H02J 2007/0001; H02J 2007/0003; H02J 2007/004; H02J 2007/0063; H02J 2007/0068; H02J 7/0042; H02J 7/0045; H02J 7/0052; H02S 40/38; H02S 30/00; H02S 20/10; H02S 20/23; H02S 20/30; H02S 40/34; H02S 40/44; H01M 10/46; H01M 2/02; H01L 31/0348; H01L 31/042; H01L 31/045; H01L 31/046; H01L 31/048; H01L 31/05; H01L 31/052; A42B 1/04; A42B 1/24; A42B 1/06; H01R 31/06; H01R 24/38; F24J 2/52

See application file for complete search history.

(56) **References Cited**

U.S. PATENT DOCUMENTS

D382,535 S *	8/1997	Chiang	D13/103
D489,680 S *	5/2004	Stobart	D13/102
D650,761 S *	12/2011	Cheng	D13/184
D813,162 S *	3/2018	Krantz	D13/110
D821,310 S *	6/2018	Krantz	D13/110

* cited by examiner

Primary Examiner — Daniel D Bui

(74) *Attorney, Agent, or Firm* — Chong IP Law, LLP

(57) **CLAIM**

The ornamental design for a solar-charging mounting bracket for video doorbell, as shown and described.

DESCRIPTION

FIG. 1 is a front perspective view of the solar-charging mounting bracket for video doorbell according to the present design;

FIG. 2 is a front elevational view of the solar-charging mounting bracket for video doorbell of FIG. 1;

FIG. 3 is a rear elevational view of the solar-charging mounting bracket for video doorbell of FIG. 1;

FIG. 4 is a right-side elevational view of the solar-charging mounting bracket for video doorbell of FIG. 1;

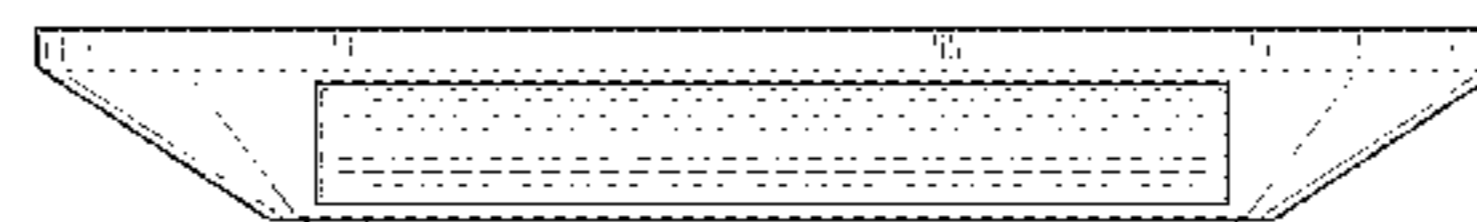
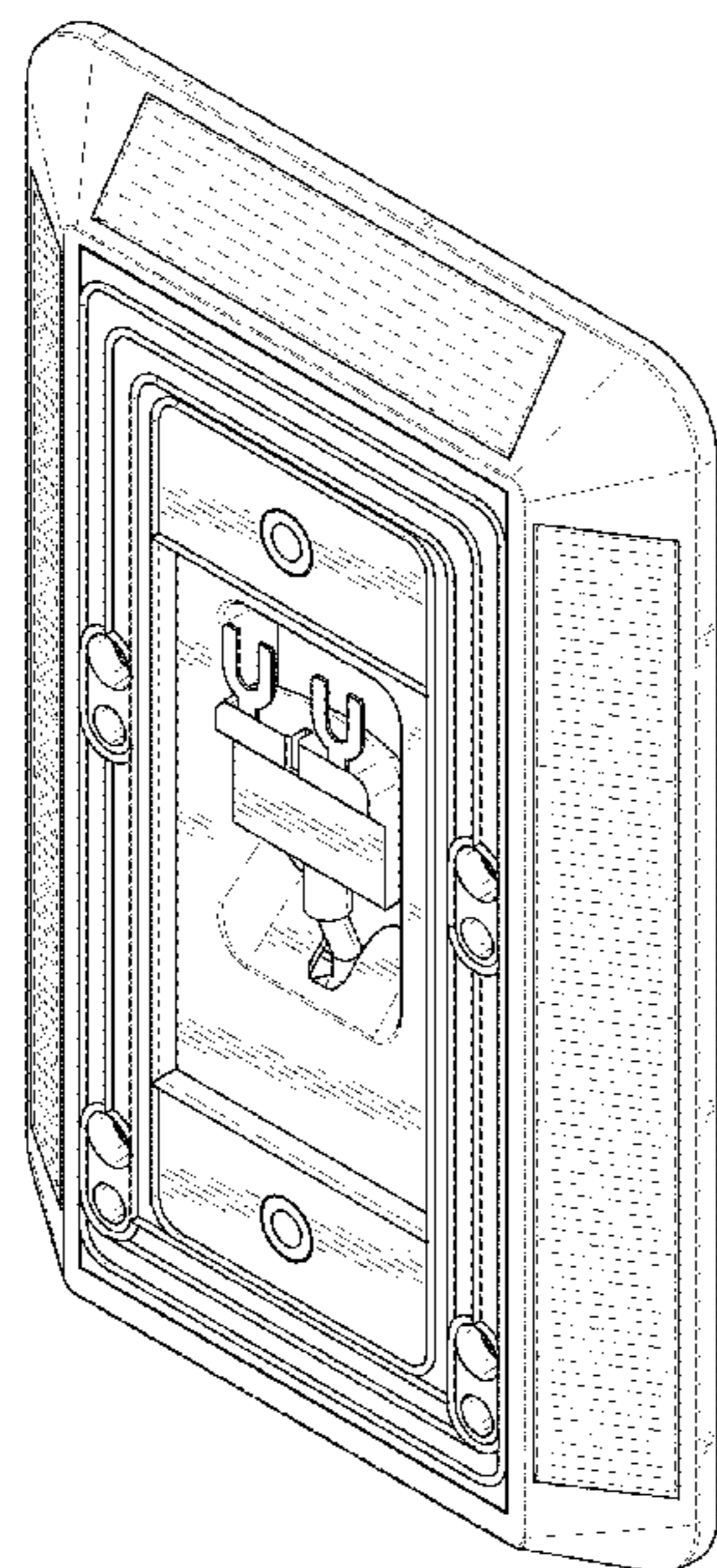
FIG. 5 is a left-side elevational view of the solar-charging mounting bracket for video doorbell of FIG. 1;

FIG. 6 is a top plan view of the solar-charging mounting bracket for video doorbell of FIG. 1; and,

FIG. 7 is a bottom plan view of the solar-charging mounting bracket for video doorbell of FIG. 1.

In the drawings, the broken lines depict features of the solar-charging mounting bracket for video doorbell that form no part of the claimed design.

1 Claim, 5 Drawing Sheets



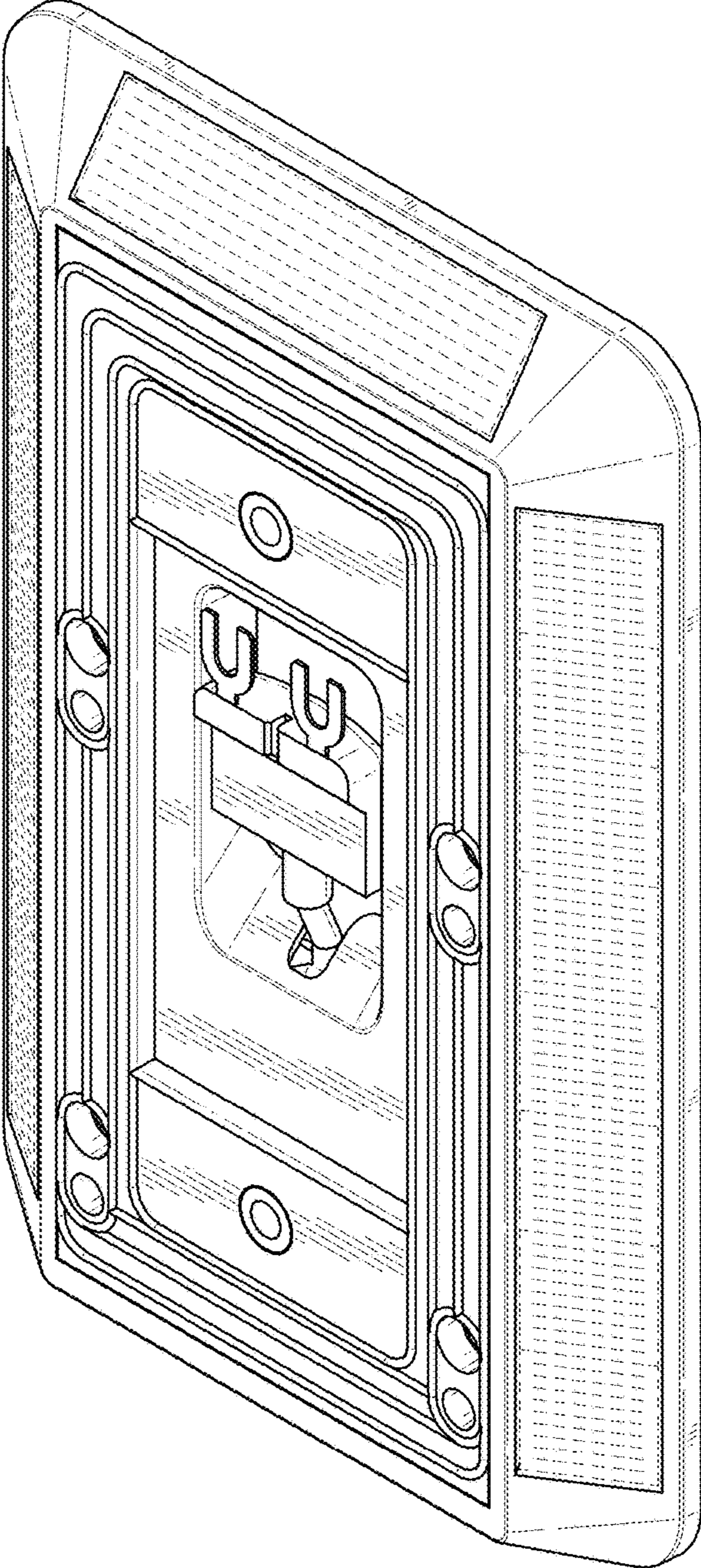


FIG. 1

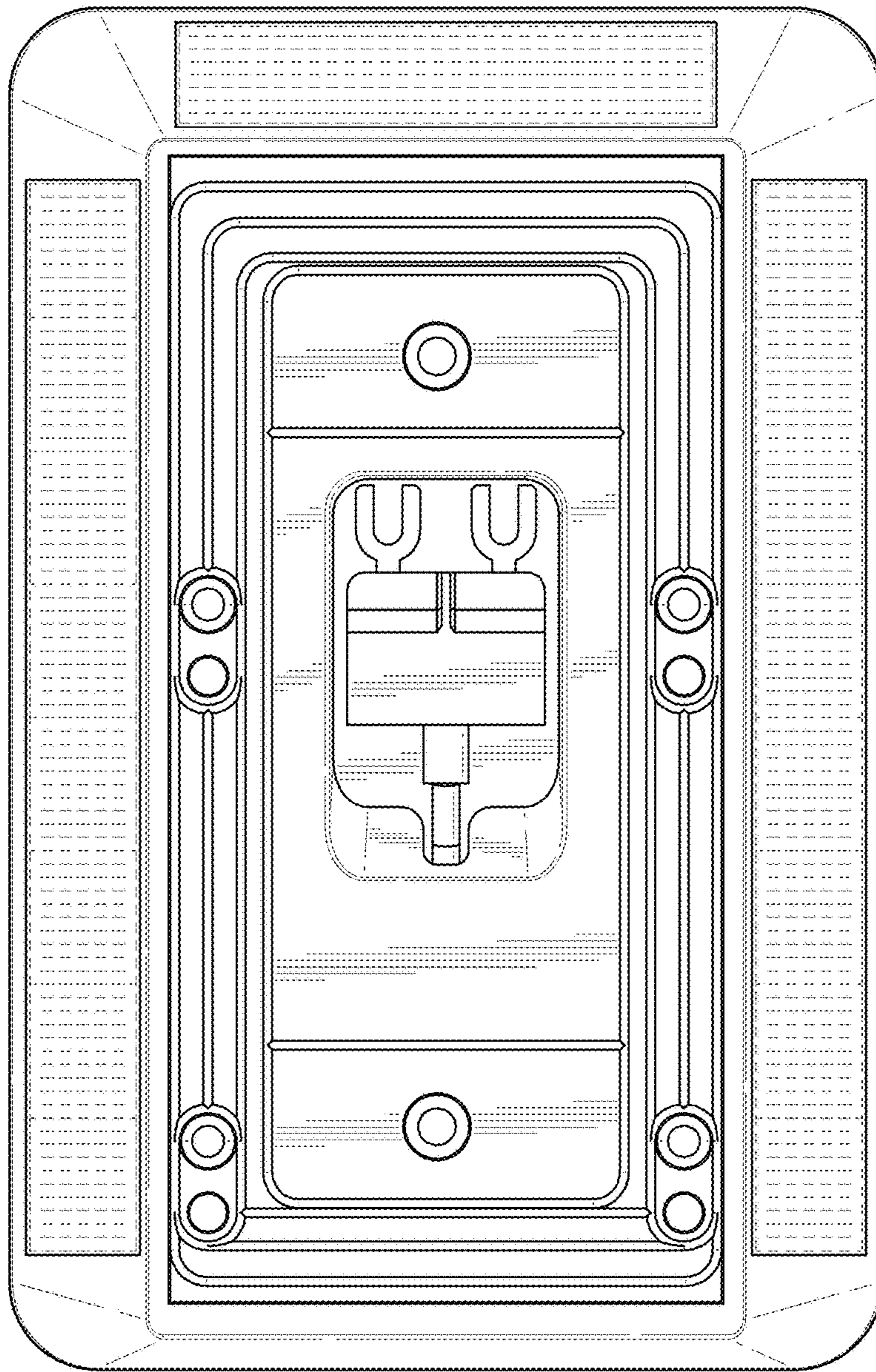


FIG. 2

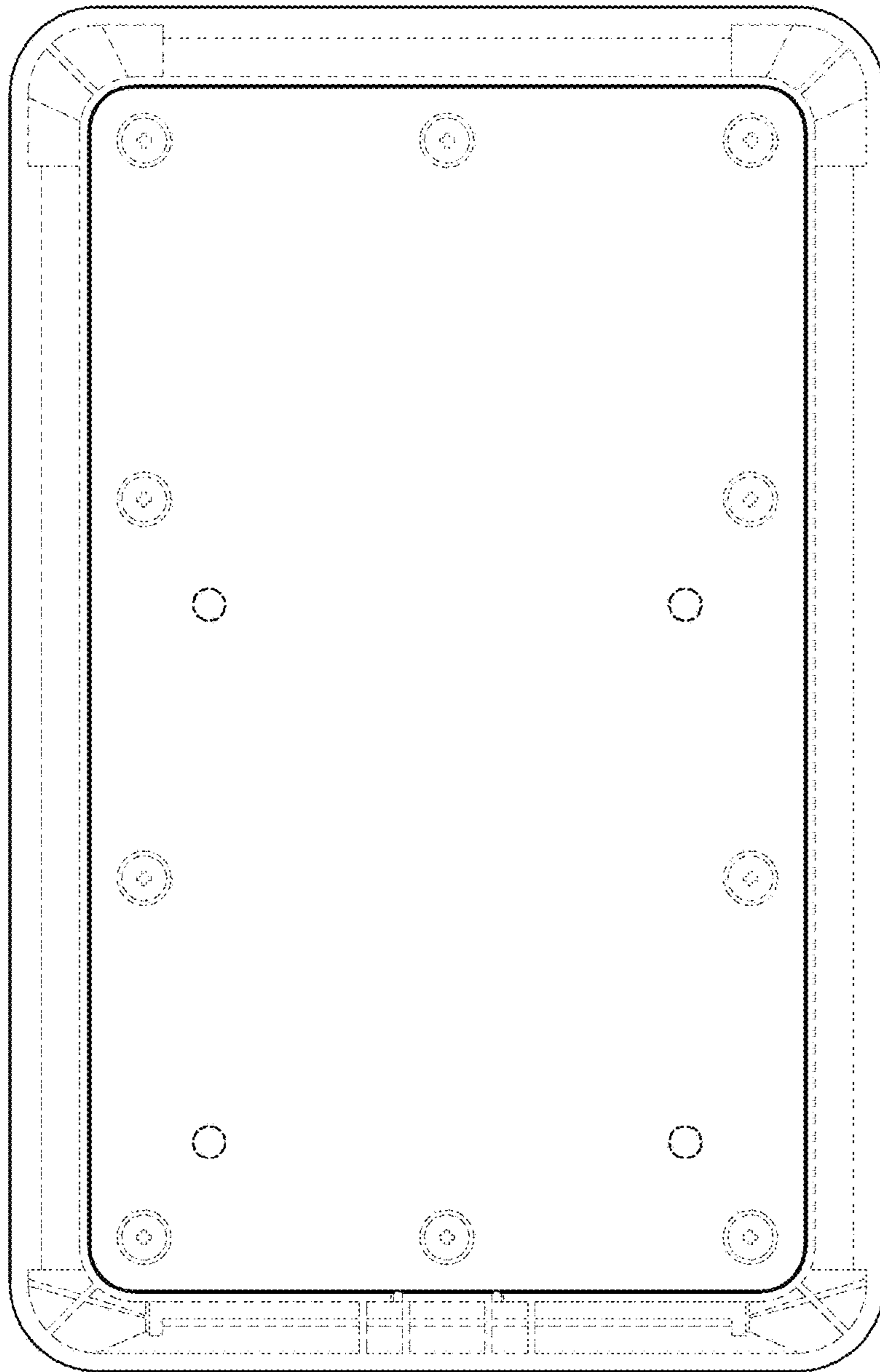


FIG. 3

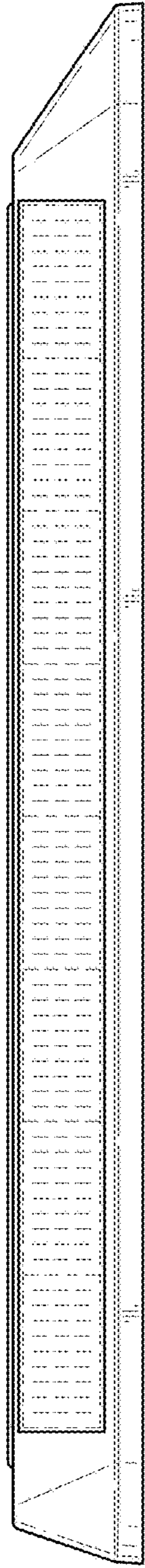


FIG. 4

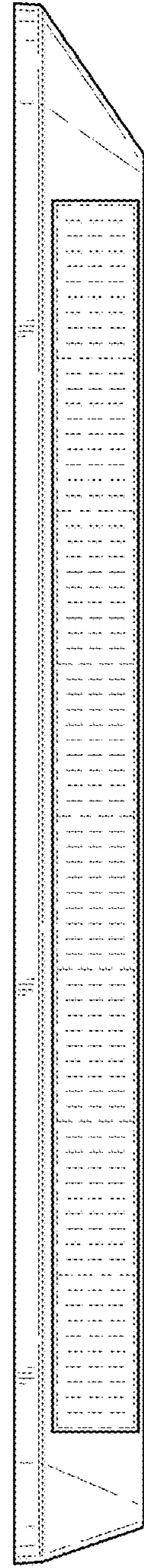


FIG. 5

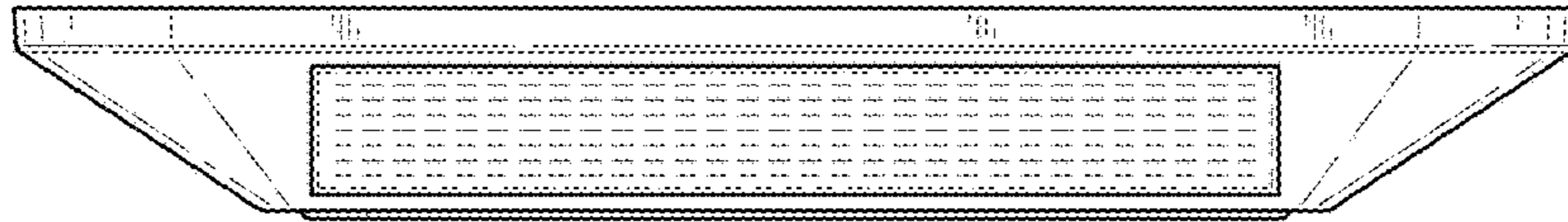


FIG. 6

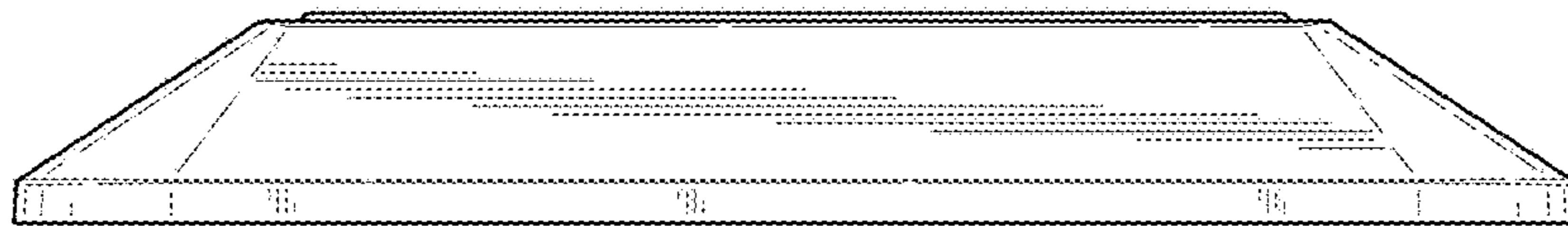


FIG. 7