

US00D852126S

(12) **United States Design Patent**  
**Geng et al.**

(10) **Patent No.:** **US D852,126 S**

(45) **Date of Patent:** **\*\* Jun. 25, 2019**

(54) **GOLF TIRE**

(71) Applicant: **HEBEI WANDA TYRE CO., LTD,**  
Xingtai (CN)

(72) Inventors: **Peng Geng,** Xingtai (CN); **Xingya Liu,**  
Xingtai (CN); **Chuangye Yu,** Xingtai  
(CN); **Longcheng Dang,** Xingtai (CN)

(73) Assignee: **HEBEI WANDA TYRE CO., LTD,**  
Xingtai (CN)

(\*\*) Term: **15 Years**

(21) Appl. No.: **29/627,474**

(22) Filed: **Nov. 28, 2017**

(30) **Foreign Application Priority Data**

Jul. 20, 2017 (CN) ..... 2017 3 0322878

(51) **LOC (11) Cl.** ..... **12-15**

(52) **U.S. Cl.**  
USPC ..... **D12/601**

(58) **Field of Classification Search**  
USPC ..... D12/568-604  
CPC ..... Y10T 152/10027; B60C 1/0016; B60C  
11/0306; B60C 11/0302; B60C 3/06;  
B60C 9/17

See application file for complete search history.

(56) **References Cited**

U.S. PATENT DOCUMENTS

5,205,879 A \* 4/1993 Seitz ..... B60C 11/11  
152/209.24  
D403,281 S \* 12/1998 Allen ..... D12/601

D452,199 S \* 12/2001 Robert ..... D12/594  
D453,009 S \* 1/2002 Helt ..... D12/601  
D484,093 S \* 12/2003 Masuko ..... D12/601  
D558,137 S \* 12/2007 Maziarka ..... D12/601  
D620,430 S \* 7/2010 Gillard ..... D12/600  
D737,754 S \* 9/2015 Bourel ..... D12/594  
D755,117 S \* 5/2016 Sareen ..... D12/595  
D761,194 S \* 7/2016 Dixon ..... D12/600  
D767,476 S \* 9/2016 Kristen ..... D12/595  
D781,781 S \* 3/2017 Schimmoeller, Jr. .... D12/594  
D782,968 S \* 4/2017 Schimmoeller, Jr. .... D12/594  
D794,550 S \* 8/2017 Schimmoeller, Jr. .... D12/594  
D794,551 S \* 8/2017 Schimmoeller, Jr. .... D12/594  
D798,226 S \* 9/2017 Parr ..... D12/578  
D812,551 S \* 3/2018 Stanley ..... D12/601  
D819,555 S \* 6/2018 Schimmoeller, Jr. .... D12/600

\* cited by examiner

*Primary Examiner* — Karen E Kearney

*Assistant Examiner* — John A Voytek

(74) *Attorney, Agent, or Firm* — Gokalp Bayramoglu

(57) **CLAIM**

The ornamental design for golf tire, as shown and described.

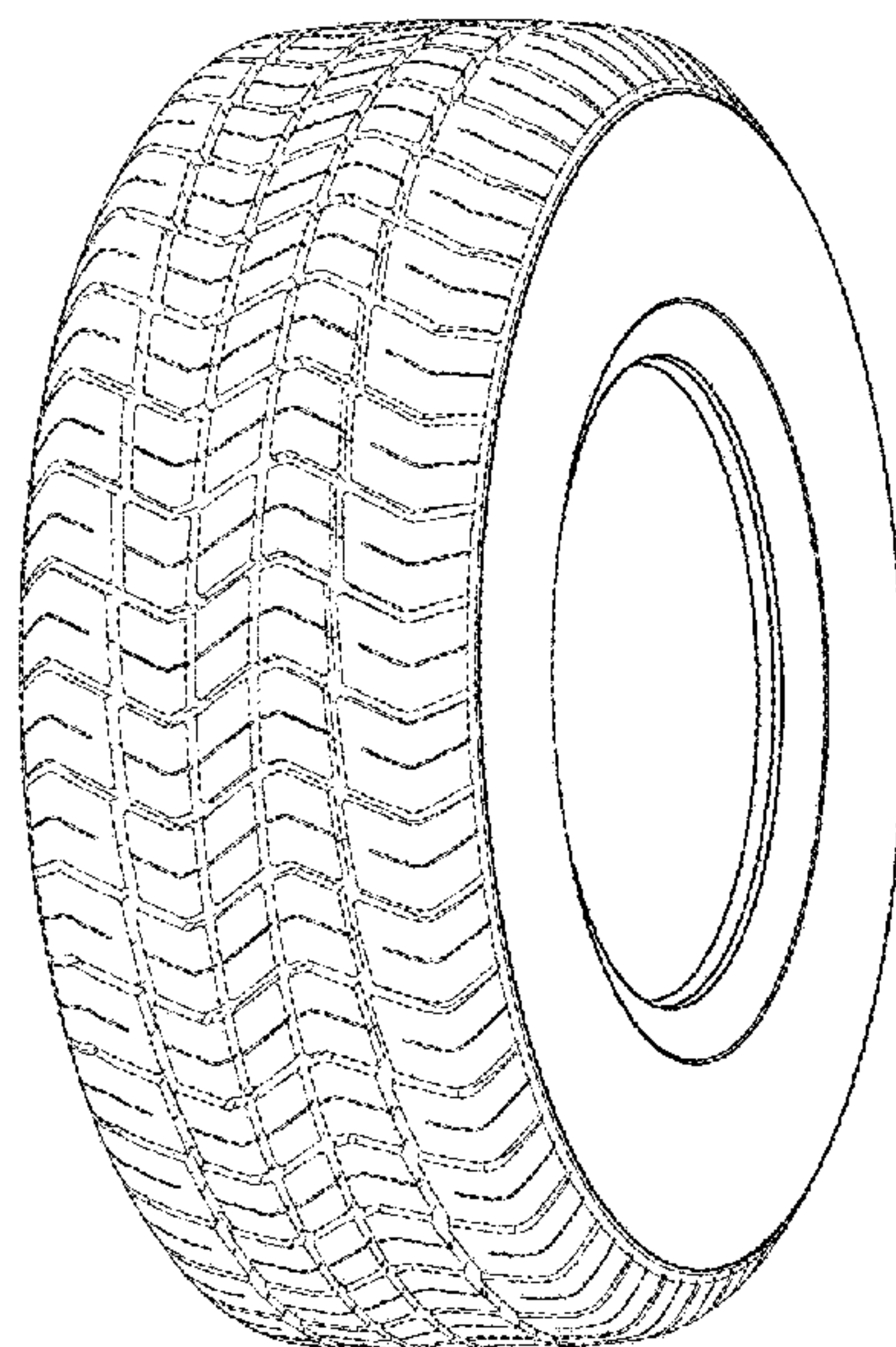
**DESCRIPTION**

FIG. 1 is a perspective view of golf tire, showing my new design;

FIG. 2 is a right view of golf tire; and,

FIG. 3 is a front view of golf tire.

**1 Claim, 3 Drawing Sheets**



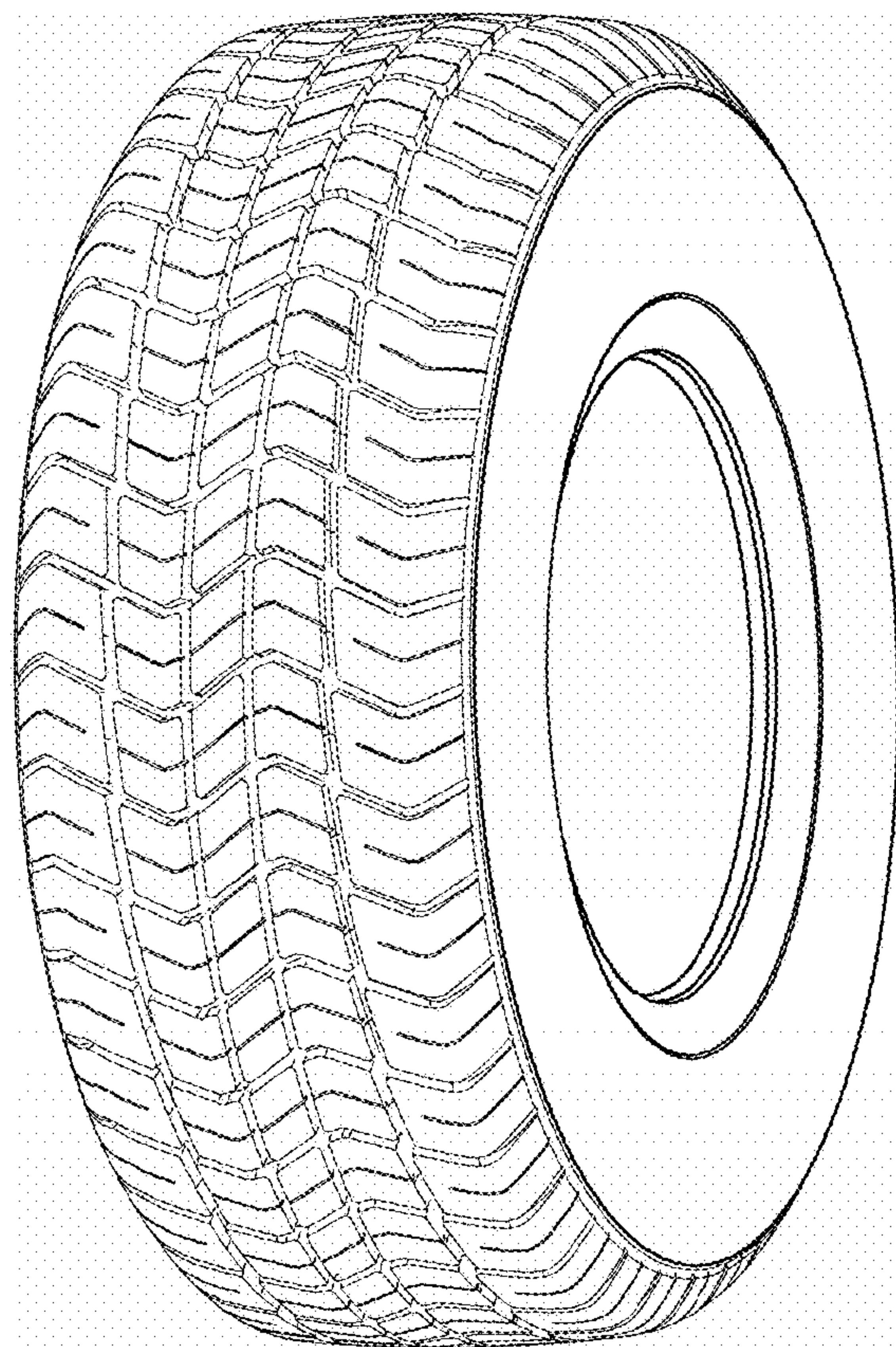


FIG. 1

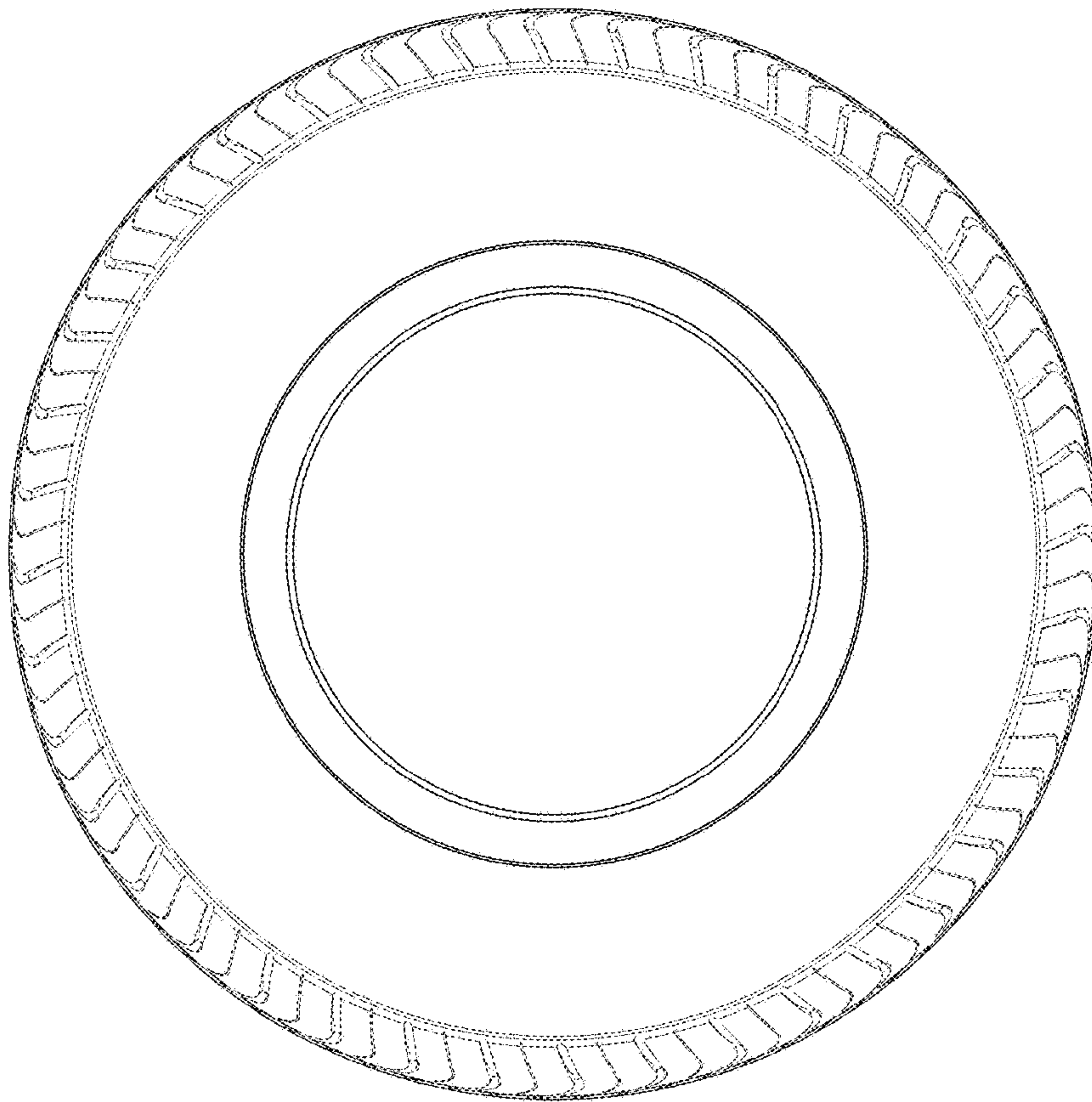


FIG. 2



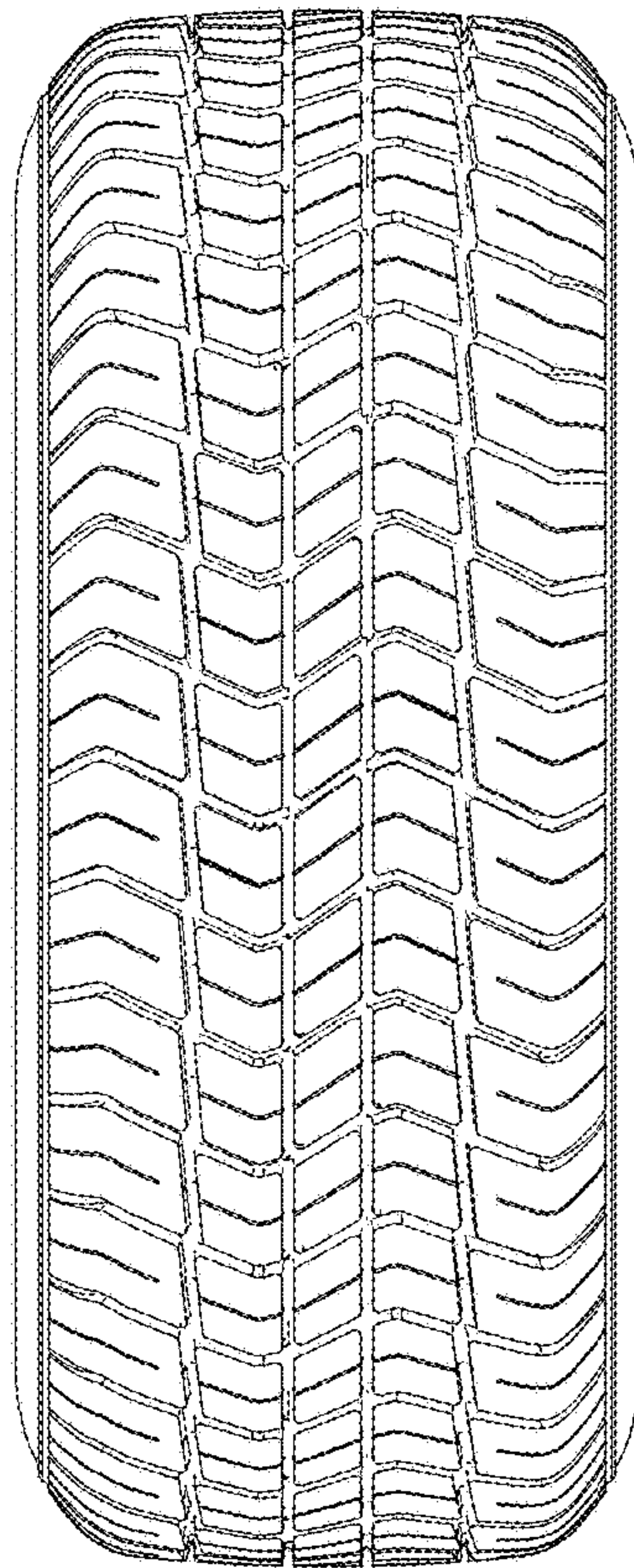


FIG. 3