



US00D852123S

(12) **United States Design Patent**  
**Hamanaka**

(10) **Patent No.:** **US D852,123 S**

(45) **Date of Patent:** **\*\* Jun. 25, 2019**

(54) **AUTOMOBILE TIRE**

(71) Applicant: **THE YOKOHAMA RUBBER CO., LTD.**, Minato-ku, Tokyo (JP)

(72) Inventor: **Hideki Hamanaka**, Hiratsuka (JP)

(73) Assignee: **THE YOKOHAMA RUBBER CO., LTD.**, Minato-ku, Tokyo (JP)

(\*\*) Term: **15 Years**

(21) Appl. No.: **29/622,609**

(22) Filed: **Oct. 18, 2017**

(30) **Foreign Application Priority Data**

Apr. 19, 2017 (JP) ..... 2017-008447

(51) **LOC (11) Cl.** ..... **12-15**

(52) **U.S. Cl.**  
USPC ..... **D12/600**

(58) **Field of Classification Search**  
USPC ..... D12/579, 588, 600, 601  
CPC . B60C 11/11; B60C 11/0337; B60C 11/0374;  
B60C 11/0381; B60C 2011/0341  
See application file for complete search history.

(56) **References Cited**

**U.S. PATENT DOCUMENTS**

D334,363 S \* 3/1993 Grenie ..... D12/601  
D480,351 S \* 10/2003 Dixon ..... D12/601  
D528,069 S \* 9/2006 Maxwel ..... D12/601  
D624,488 S \* 9/2010 Nakamura ..... D12/588  
D637,150 S \* 5/2011 Koshio ..... D12/579

D647,467 S \* 10/2011 Bonhomme ..... D12/588  
D740,214 S \* 10/2015 Le ..... D12/600  
D751,495 S \* 3/2016 Flynn ..... D12/600  
D772,150 S \* 11/2016 Kim ..... D12/587  
D807,812 S \* 1/2018 Sobolak ..... D12/574

\* cited by examiner

*Primary Examiner* — Robert M. Spear

(74) *Attorney, Agent, or Firm* — Banner & Witcoff, Ltd.

(57) **CLAIM**

The ornamental design for an automobile tire, as shown and described.

**DESCRIPTION**

FIG. 1 is a perspective view of an automobile tire showing my new design;  
FIG. 2 is a front view thereof;  
FIG. 3 is a rear view thereof;  
FIG. 4 is a right side view thereof;  
FIG. 5 is a left side view thereof;  
FIG. 6 is a top view thereof;  
FIG. 7 is a bottom view thereof;  
FIG. 8 is a partially enlarged view of a portion defined by lines 8-8 shown in FIG. 1;  
FIG. 9 is a partially enlarged view of a portion defined by lines 9-9 shown in FIG. 2; and,  
FIG. 10 is a cross sectional view of a portion defined by lines 10-10 shown in FIG. 9.

In the drawings, the broken lines depict environmental subject matter only and form no part of the claimed design. The dot and dashed lines represents a boundary between the claimed portion and the non-claimed portion.

**1 Claim, 10 Drawing Sheets**

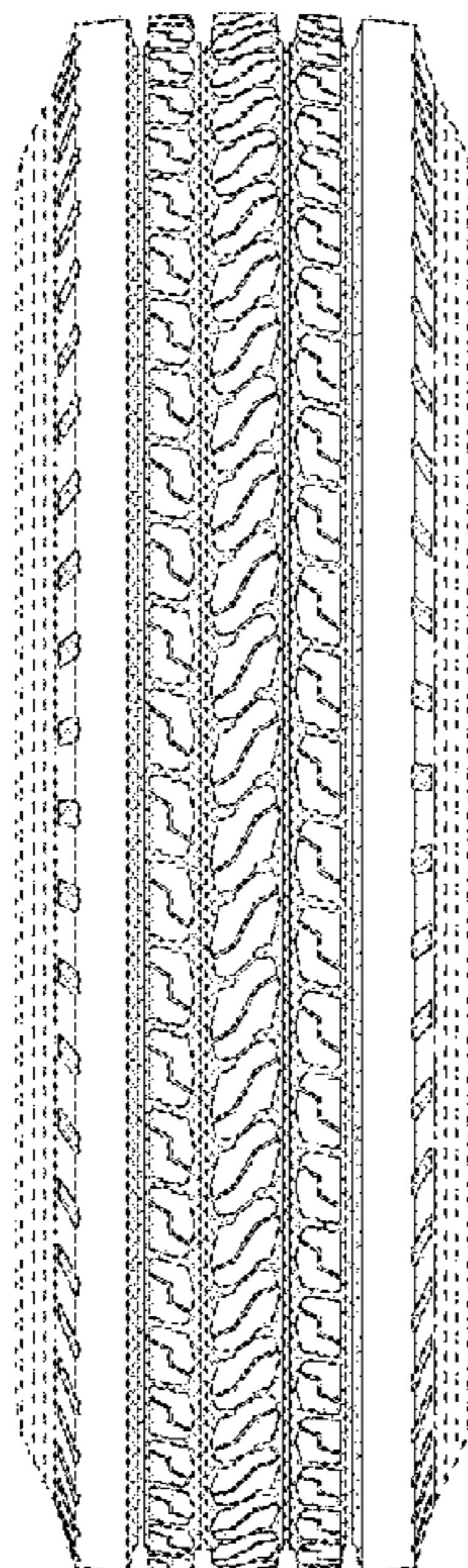


FIG. 1

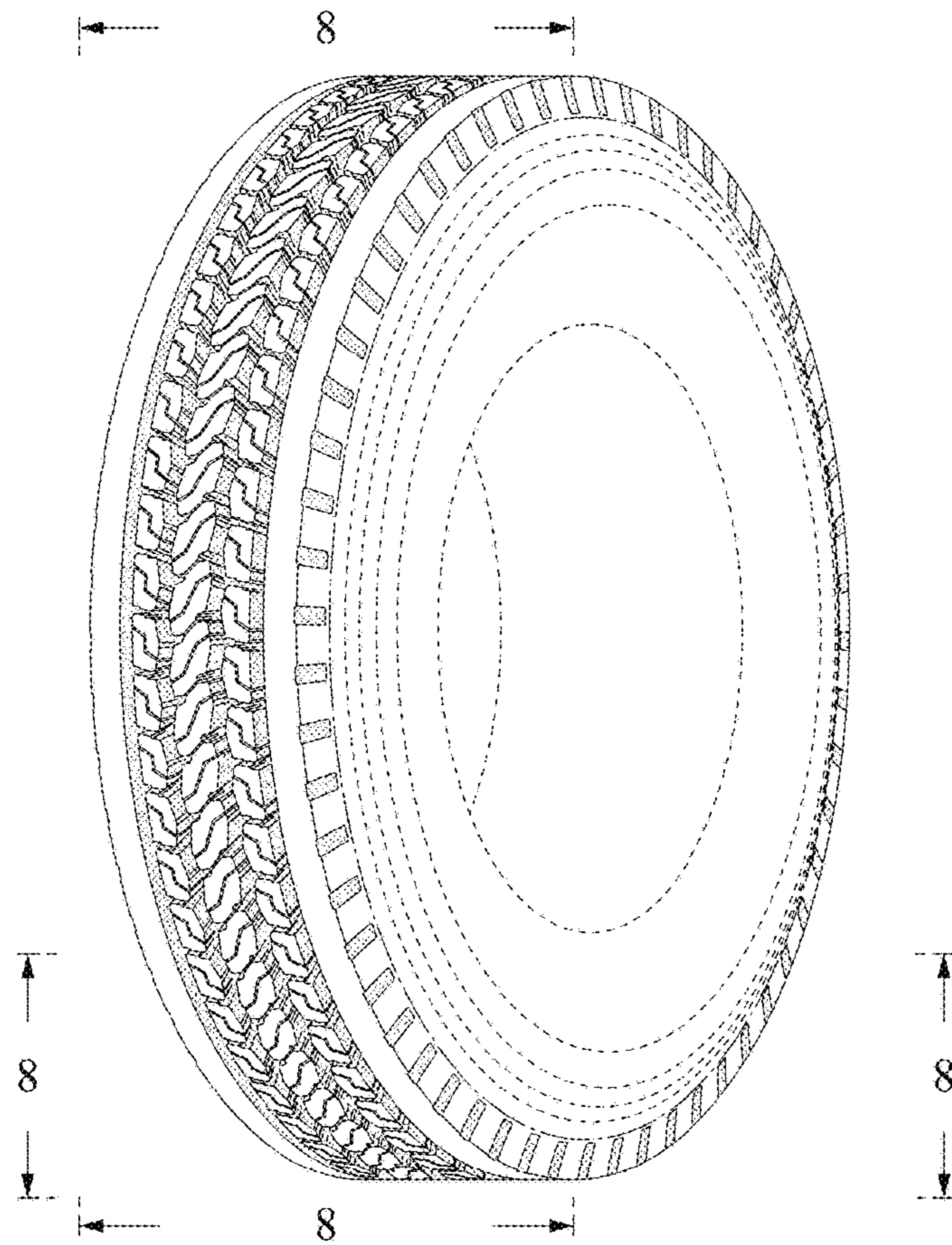
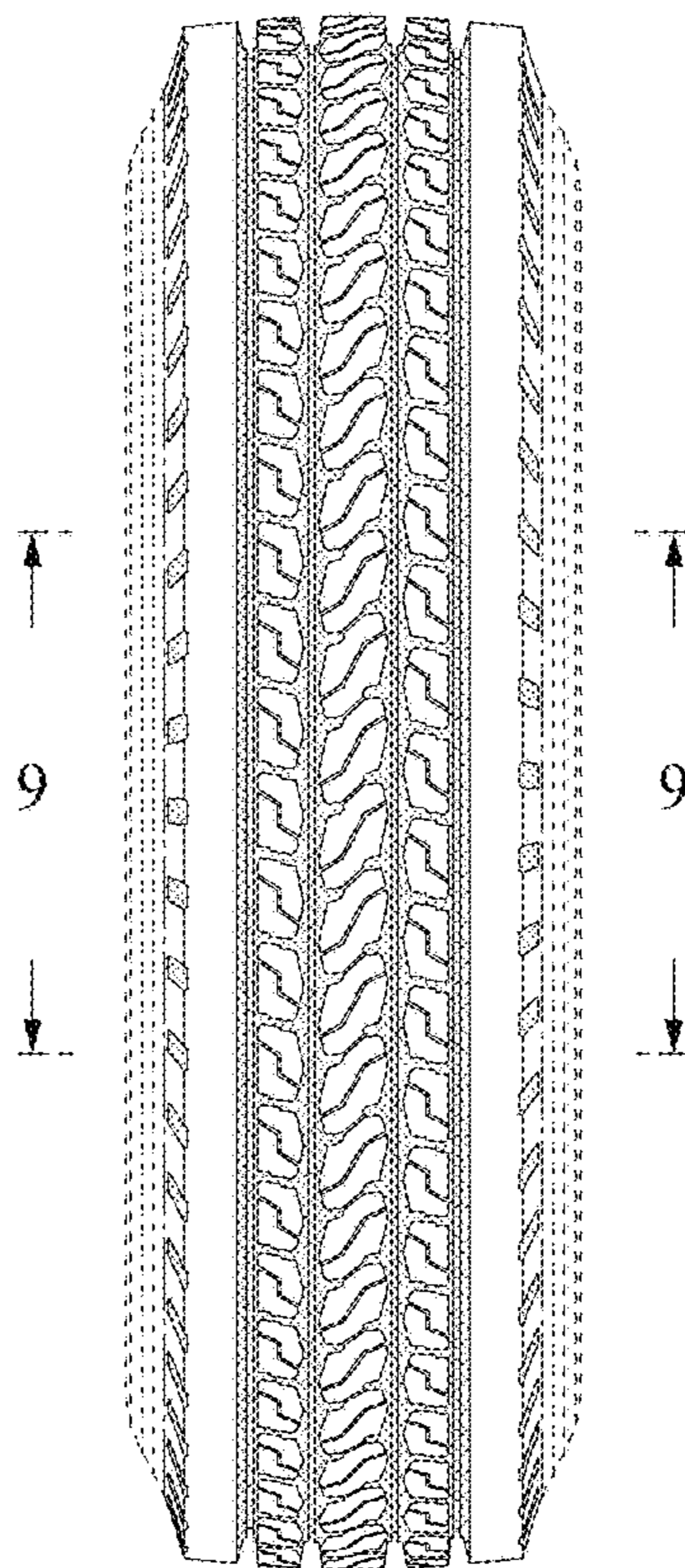
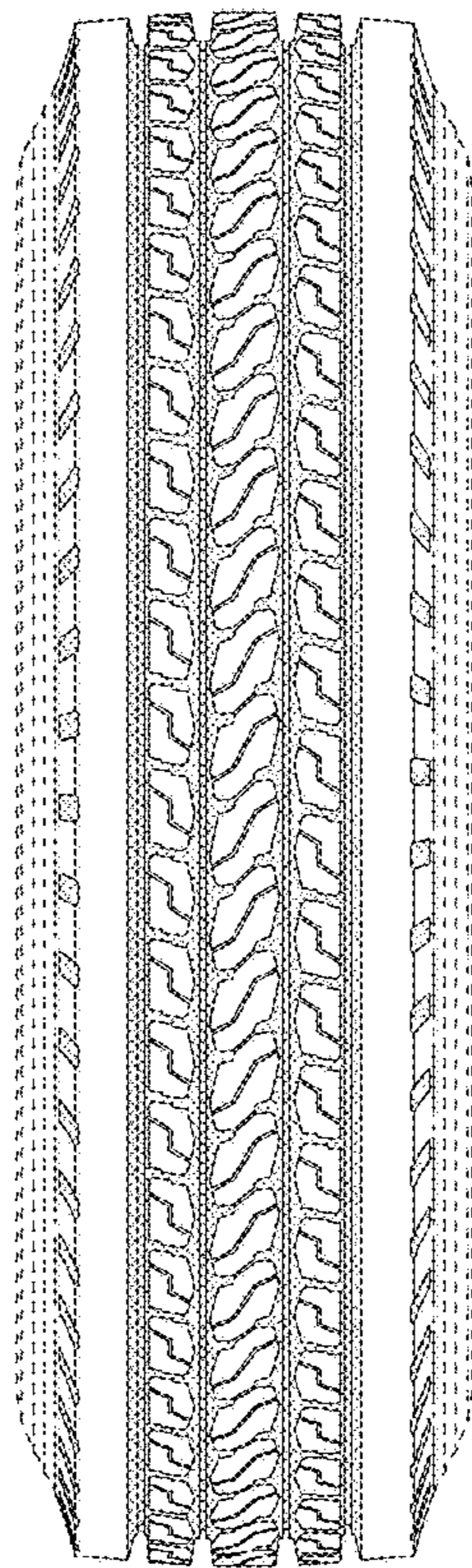


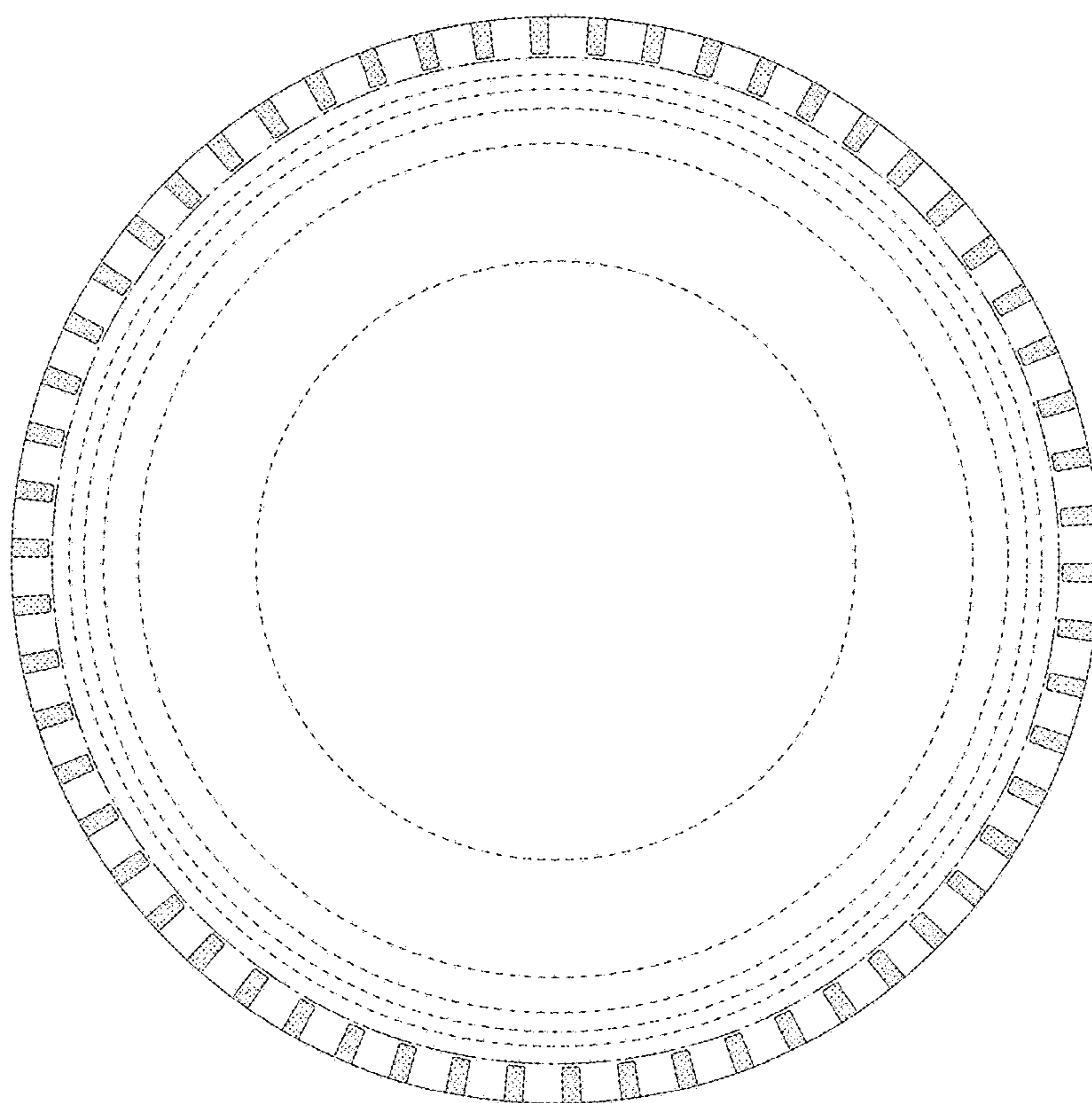
FIG. 2



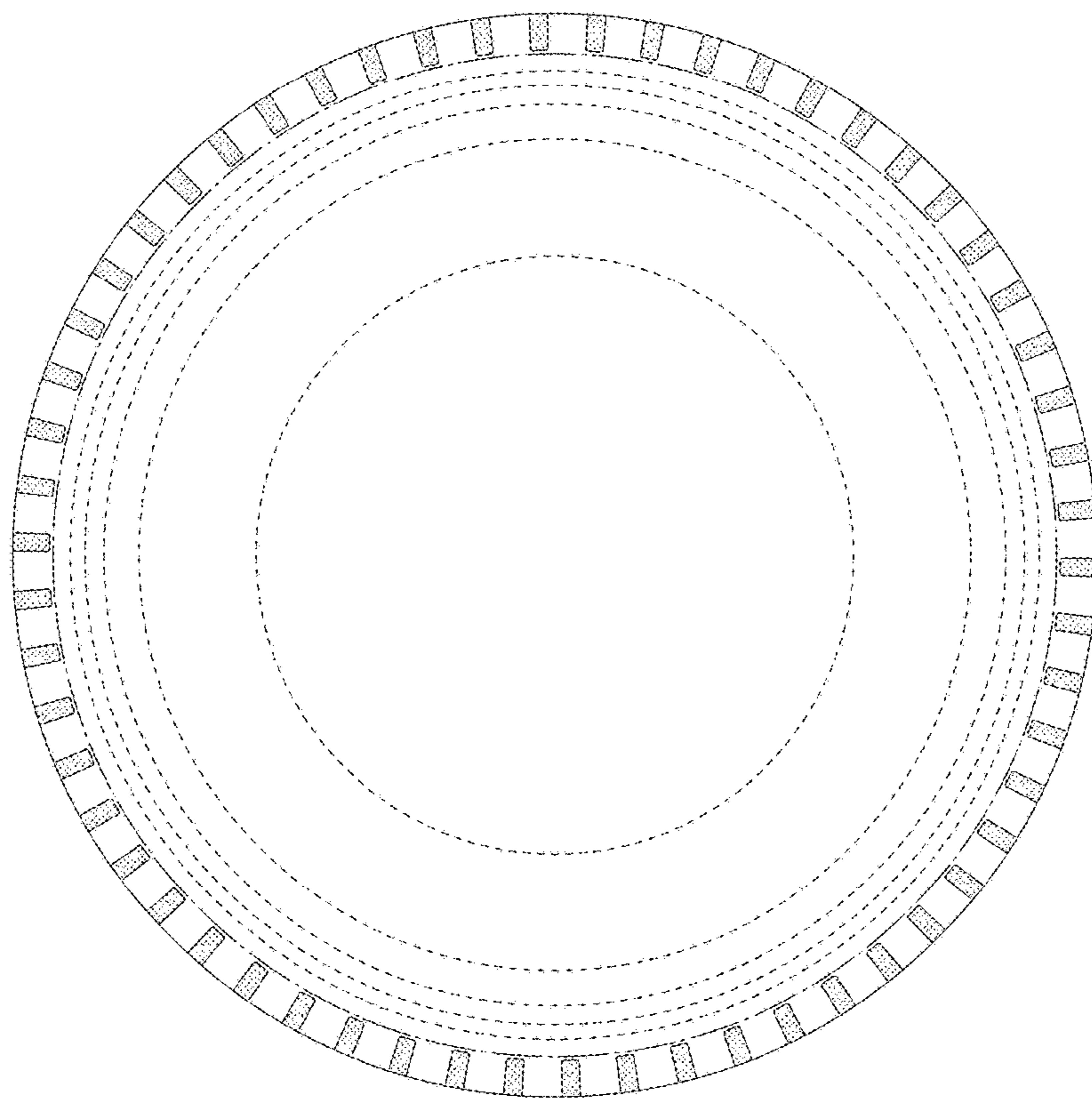
**FIG. 3**



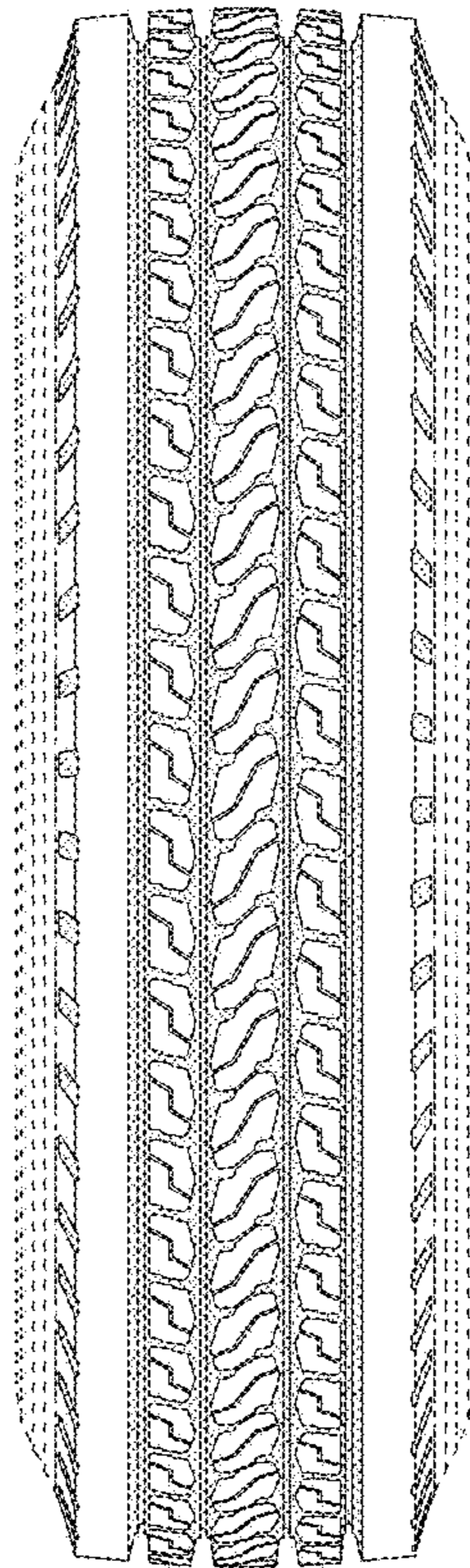
**FIG. 4**



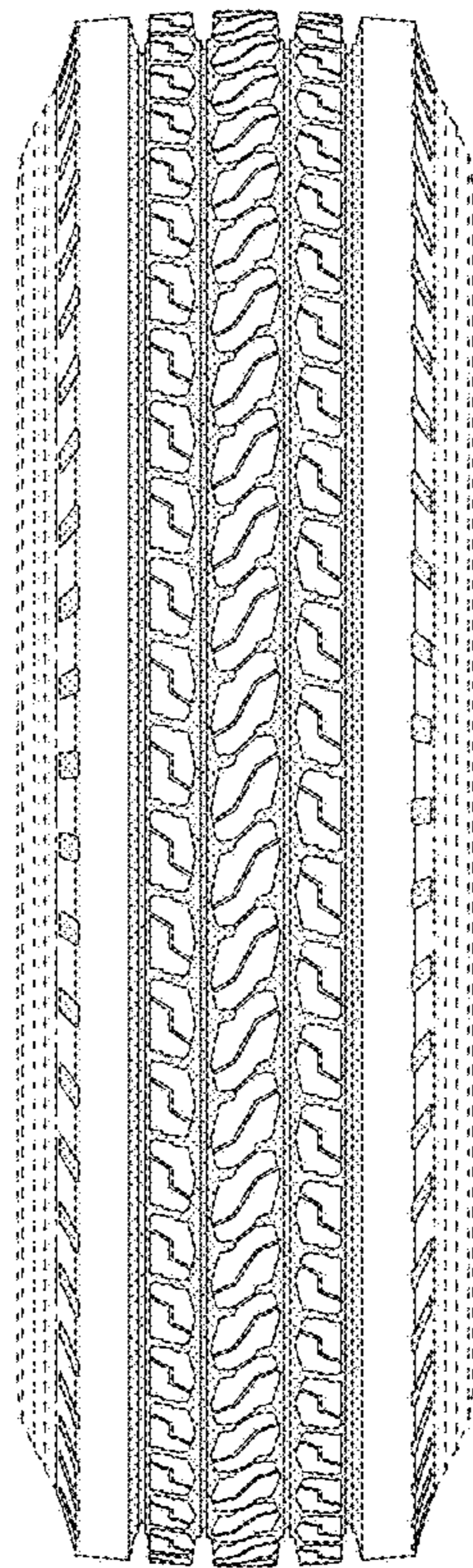
**FIG. 5**



**FIG. 6**



**FIG. 7**





**FIG. 8**

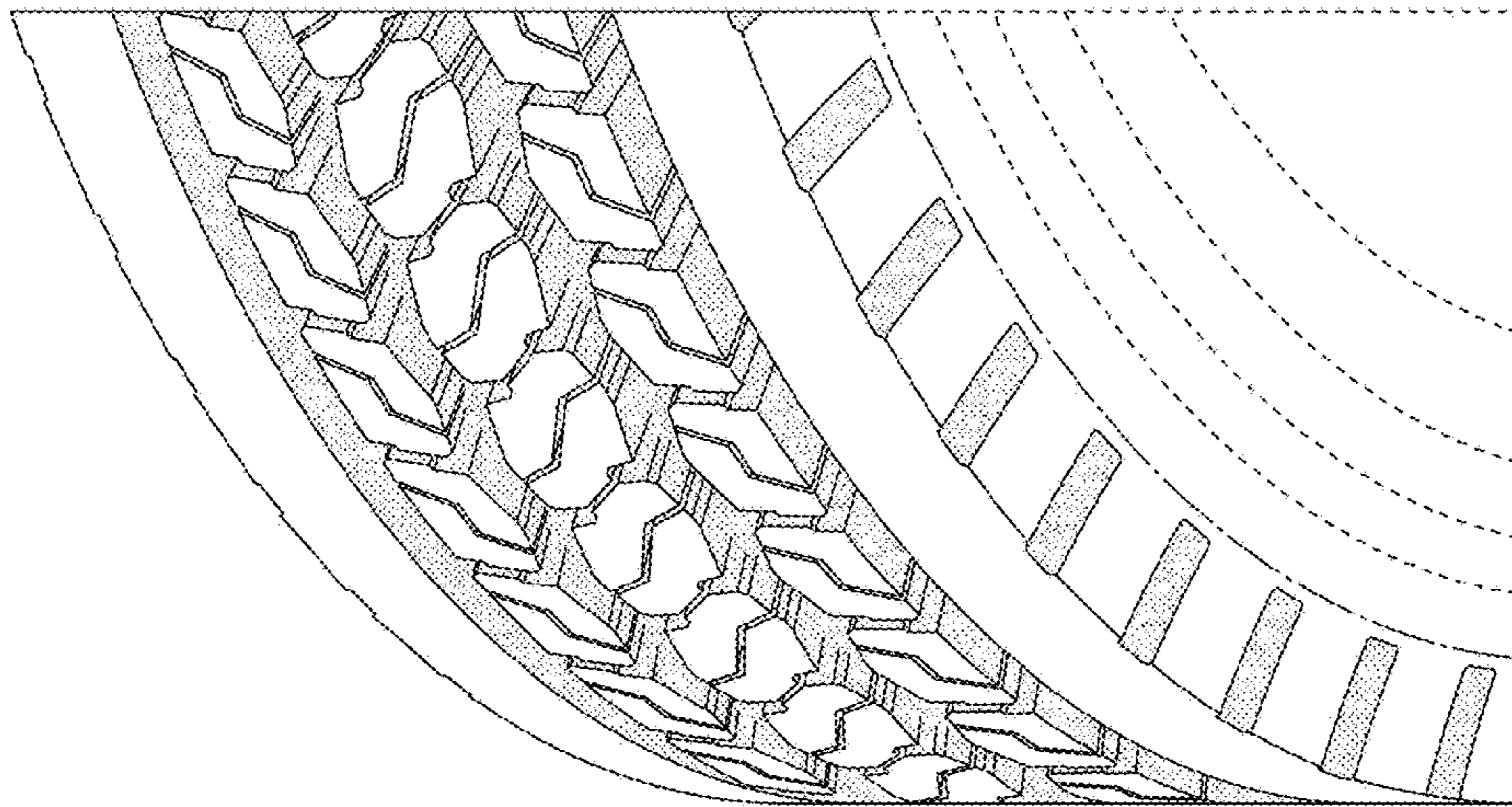
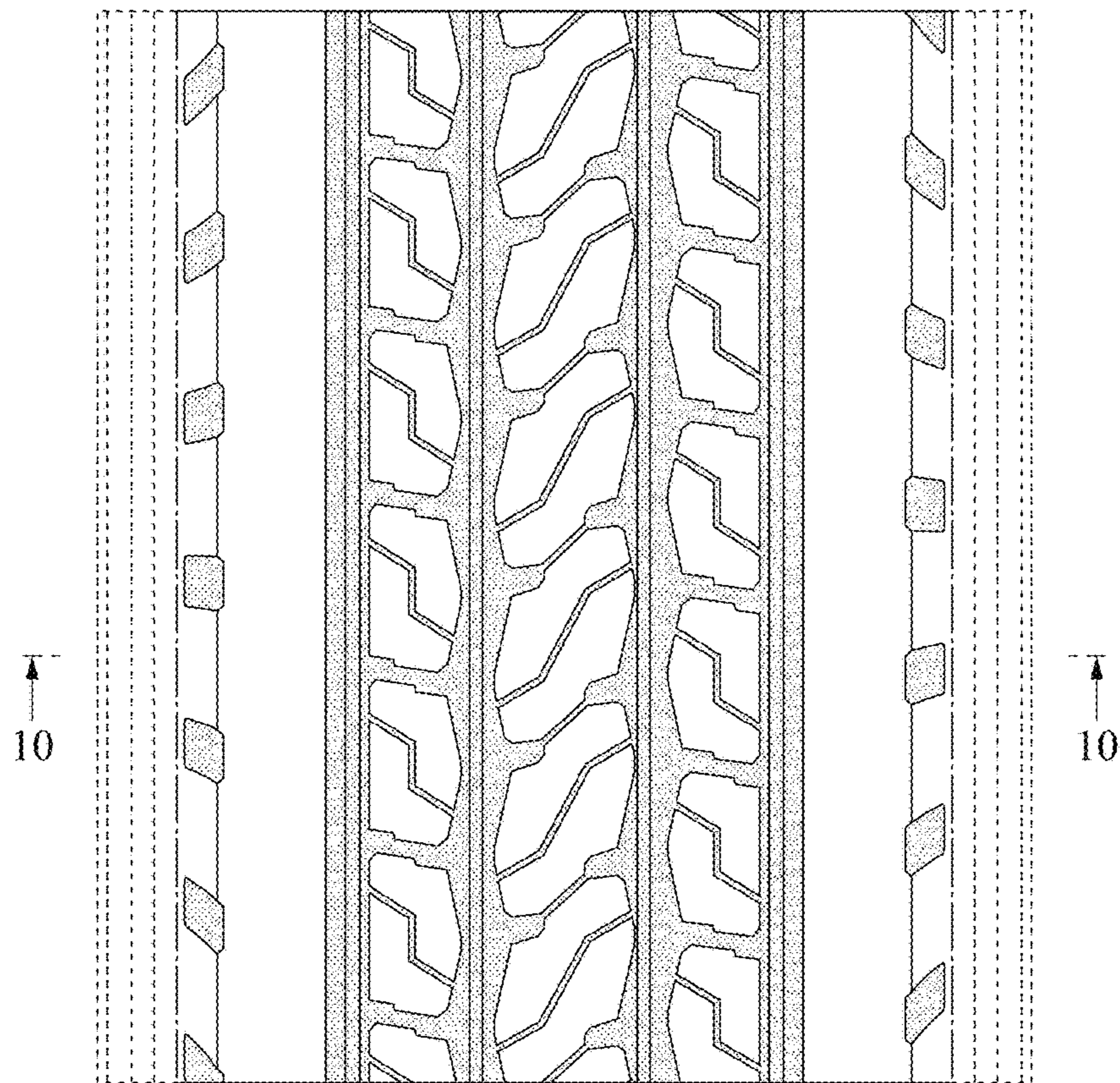


FIG. 9



**FIG. 10**

