



US00D852118S

(12) **United States Design Patent**
Nakamura

(10) **Patent No.:** **US D852,118 S**
(45) **Date of Patent:** **** Jun. 25, 2019**

(54) **TIRE TREAD**

(71) Applicant: **BRIDGESTONE CORPORATION,**
Tokyo (JP)

(72) Inventor: **Takamitsu Nakamura,** Tokyo (JP)

(73) Assignee: **BRIDGESTONE CORPORATION,**
Tokyo (JP)

(**) Term: **15 Years**

(21) Appl. No.: **29/629,230**

(22) Filed: **Dec. 12, 2017**

(30) **Foreign Application Priority Data**

Jun. 14, 2017 (JP) 2017-012798

(51) **LOC (11) Cl.** **12-15**

(52) **U.S. Cl.**
USPC **D12/518**

(58) **Field of Classification Search**

USPC D12/500-532, 604
CPC Y10T 152/10027; B60C 1/0016; B60C
11/0306; B60C 11/0302; B60C 3/06;
B60C 9/17

See application file for complete search history.

(56) **References Cited**

U.S. PATENT DOCUMENTS

| | | | | |
|----------------|---------|----------|-------|------------|
| D559,168 S * | 1/2008 | Murata | | D12/519 |
| D559,767 S * | 1/2008 | Graas | | D12/521 |
| D570,766 S * | 6/2008 | Kiwaki | | D12/519 |
| D583,302 S * | 12/2008 | Shavers | | D12/518 |
| D630,574 S * | 1/2011 | Nakamura | | D12/514 |
| D635,503 S * | 4/2011 | Nakamura | | D12/524 |
| D640,182 S * | 6/2011 | Kiwaki | | D12/518 |
| D700,879 S * | 3/2014 | Harris | | D12/528 |
| D729,147 S * | 5/2015 | Perrier | | D12/518 |
| 9,302,551 B2 * | 4/2016 | Kiwaki | | B60C 11/13 |

| | | | |
|-------------------|---------|----------|----------------------------------|
| D759,575 S | 6/2016 | Yasunaga | |
| D770,364 S * | 11/2016 | Nakamura | D12/531 |
| D772,785 S * | 11/2016 | Kaneko | D12/519 |
| D777,644 S * | 1/2017 | Niwa | D12/604 |
| D811,312 S * | 2/2018 | Yaegashi | D12/523 |
| 2013/0008576 A1 * | 1/2013 | Nakamura | B60C 11/0306 152/209.25 |

OTHER PUBLICATIONS

Communication dated Nov. 7, 2017, from the Japanese Patent Office in counterpart application No. 2017-012796.

* cited by examiner

Primary Examiner — Lakiya G Rogers

Assistant Examiner — John A Voytek

(74) *Attorney, Agent, or Firm* — Sughrue Mion PLLC

(57) **CLAIM**

The ornamental design for a tire tread, as shown and described.

DESCRIPTION

FIG. 1 is a perspective view of a tire tread showing my new design;
 FIG. 2 is a front view thereof;
 FIG. 3 is a top view thereof;
 FIG. 4 is a right side view thereof;
 FIG. 5 is a left side view thereof;
 FIG. 6 is a fragmentary enlarged view showing the details of tire tread thereof;
 FIG. 7 is a section view taken along line 7-7 in FIG. 6;
 FIG. 8 is a section view taken along line 8-8 in FIG. 6; and,
 FIG. 9 is a section view taken along line 9-9 in FIG. 6.
 Broken lines in the drawings are intended to show portions of the tire that are not being claimed, and thus form no part of the claimed invention.

1 Claim, 9 Drawing Sheets

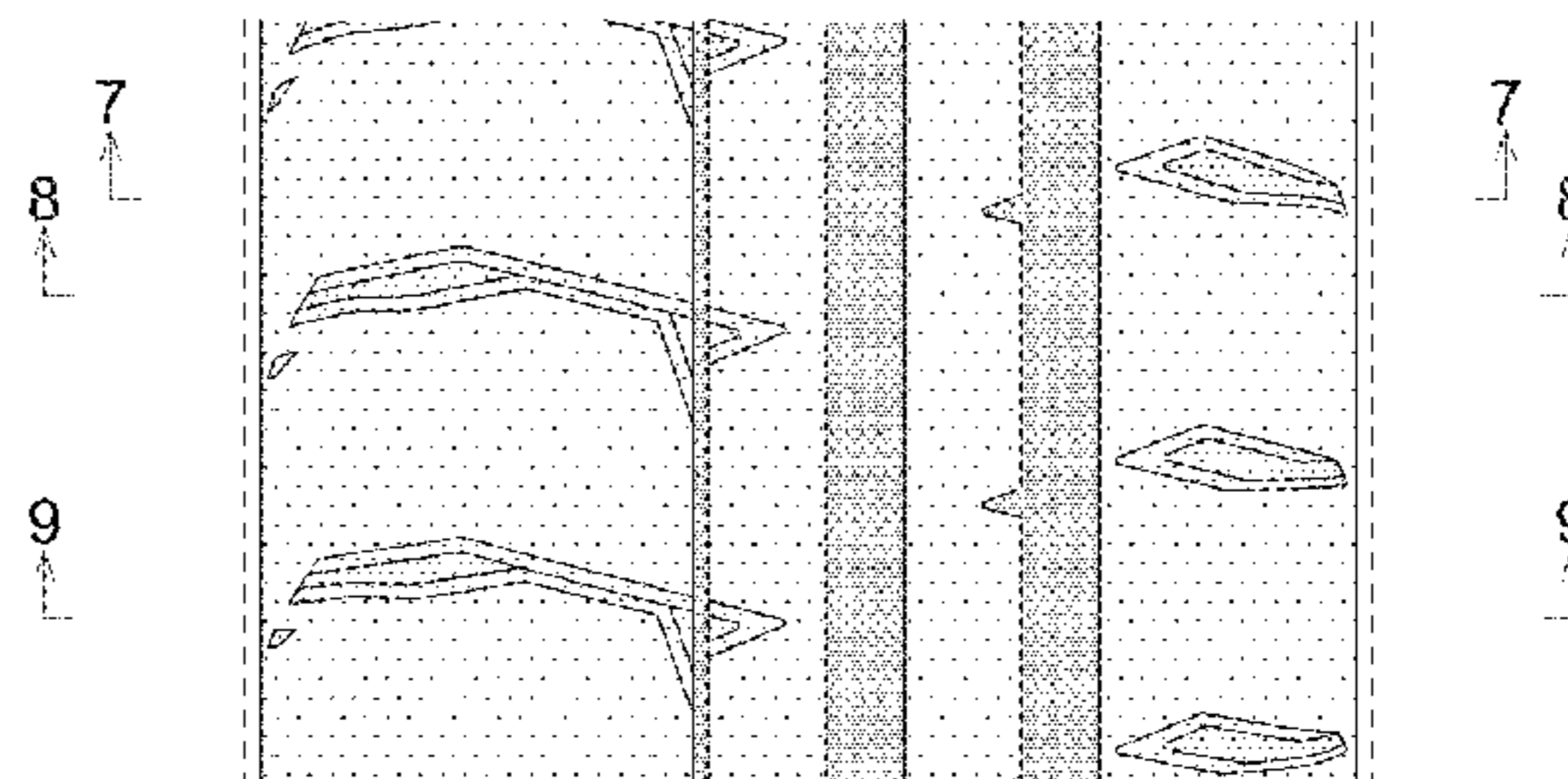
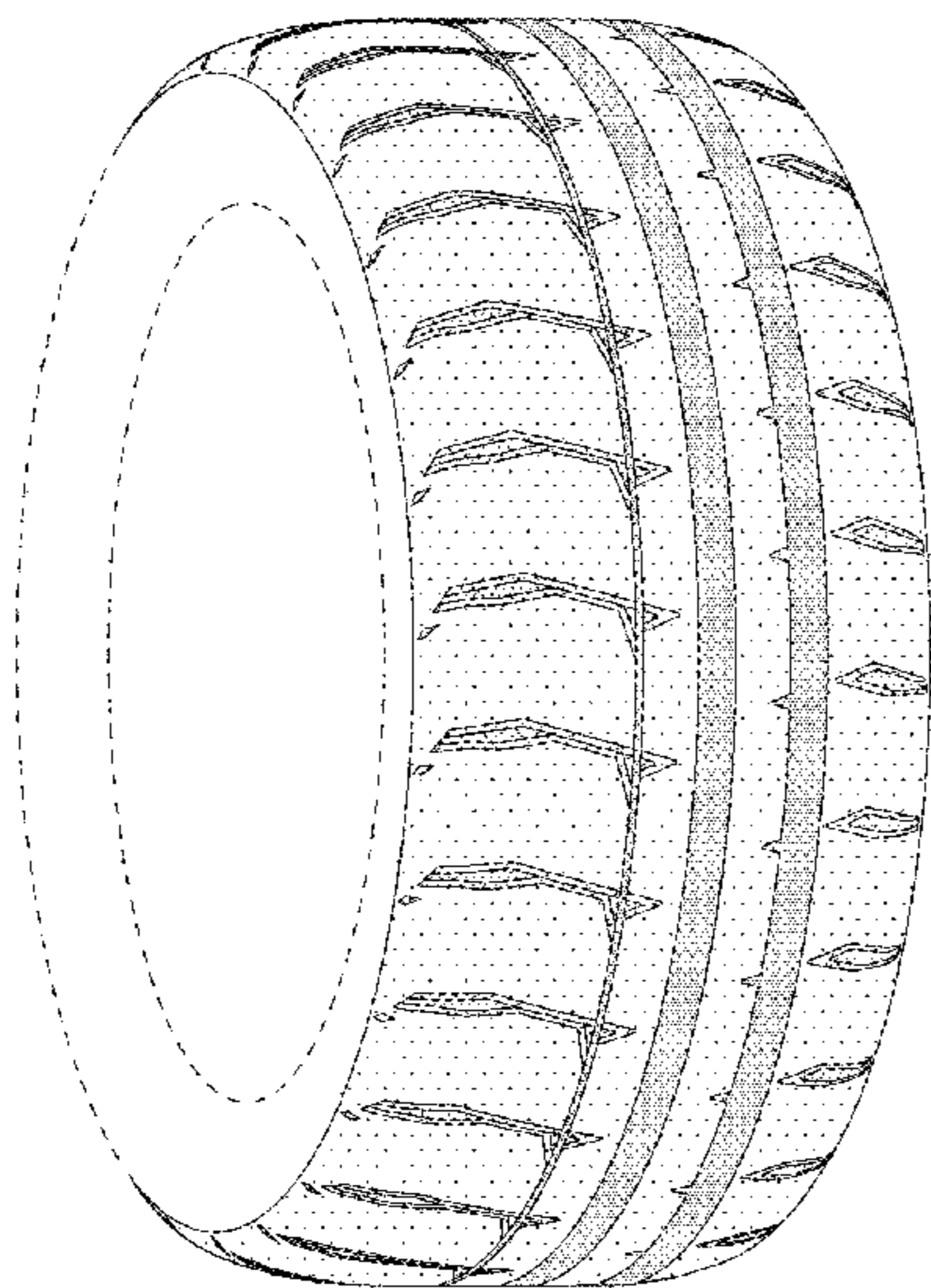


FIG. 1

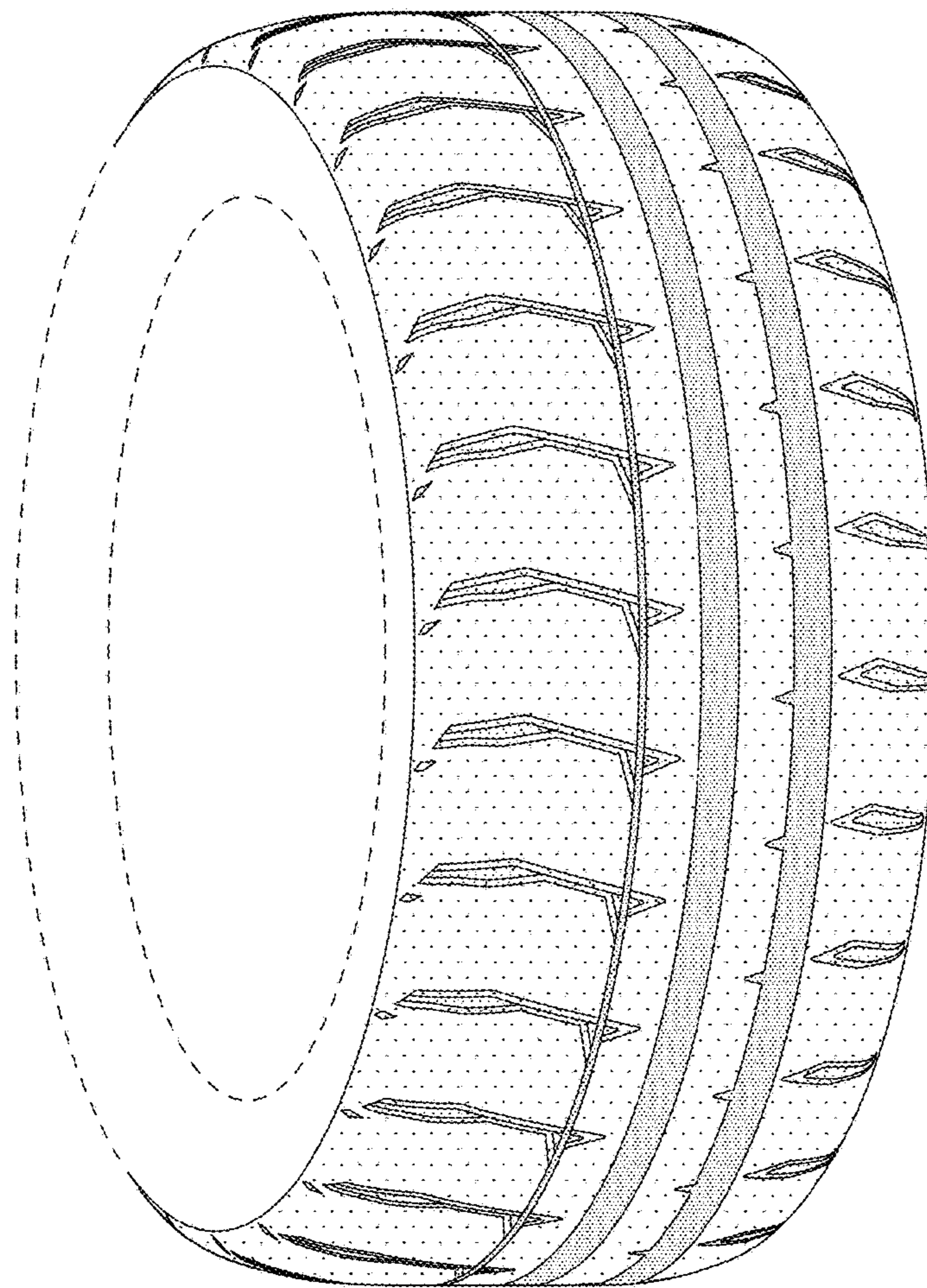


FIG. 2

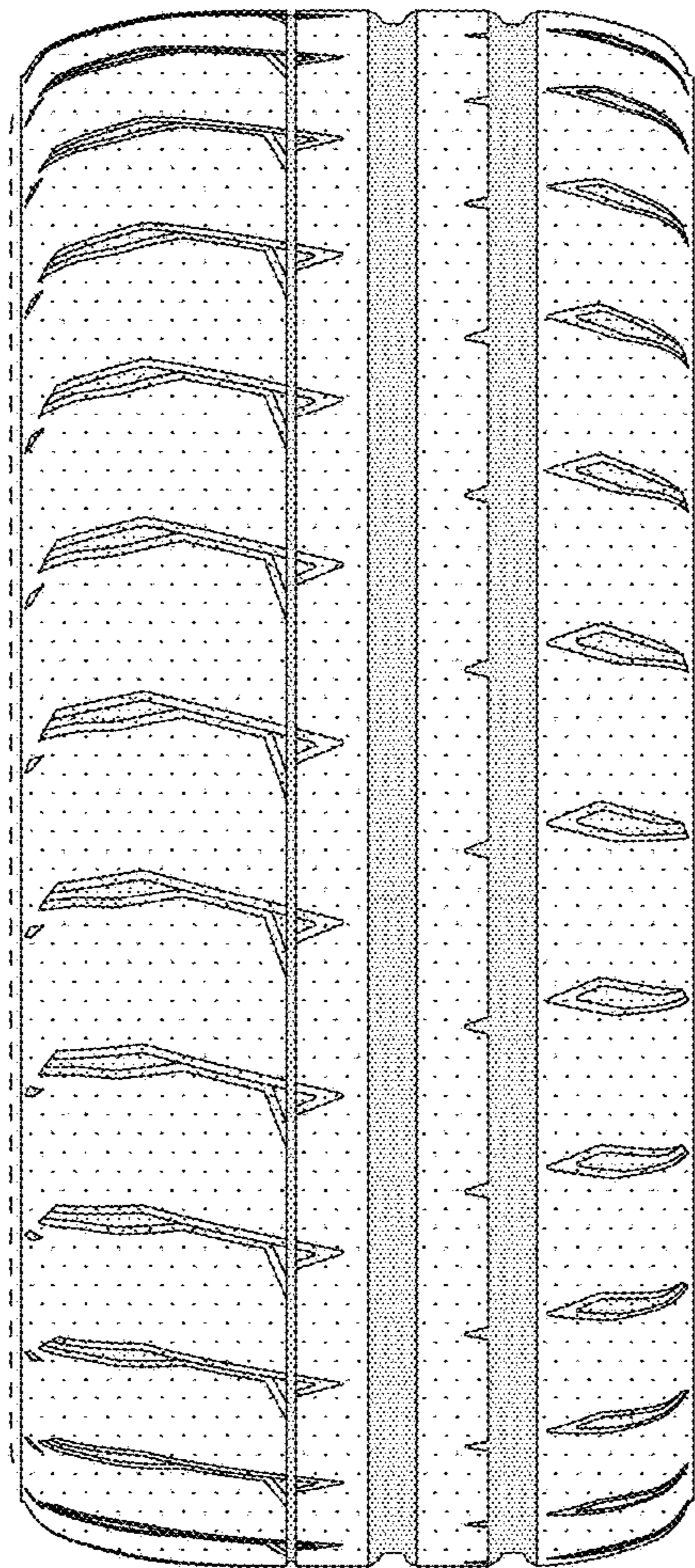


FIG. 3

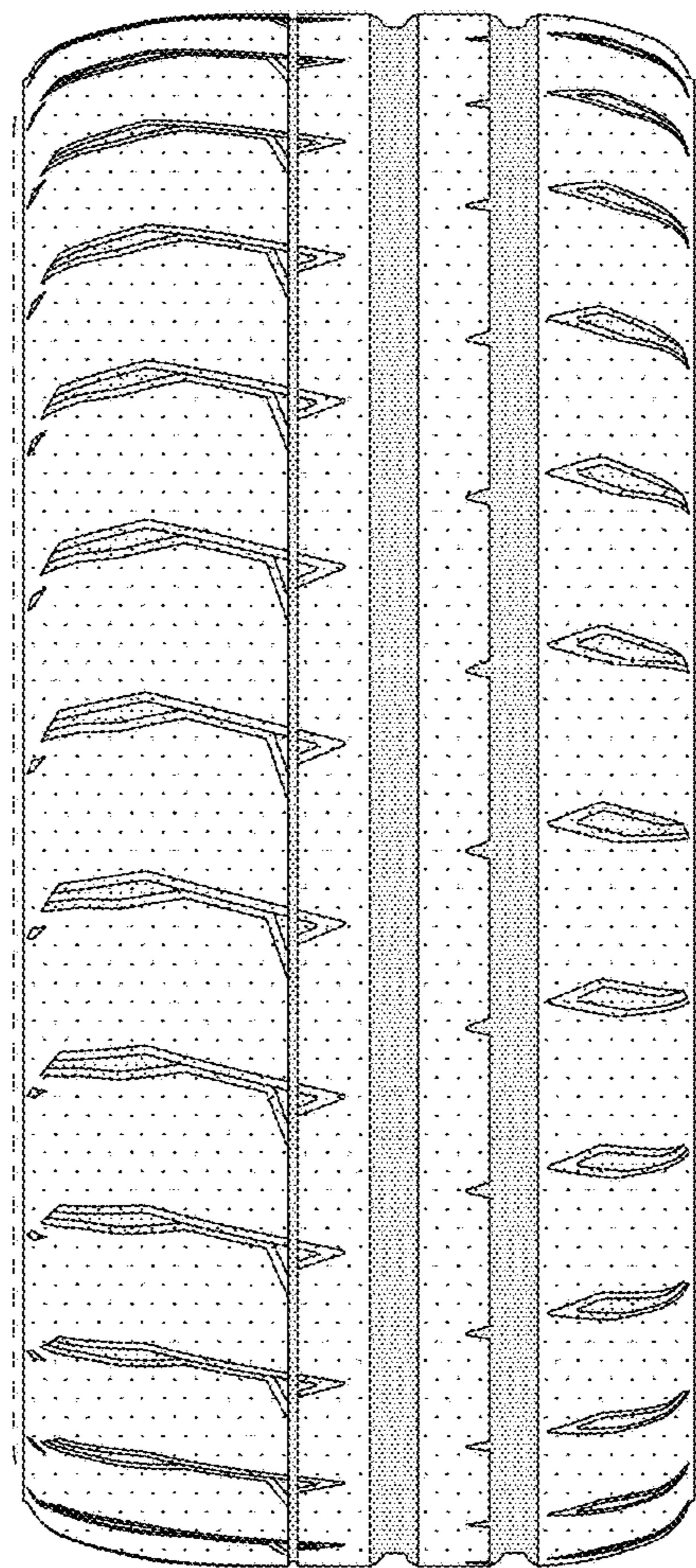


FIG. 4

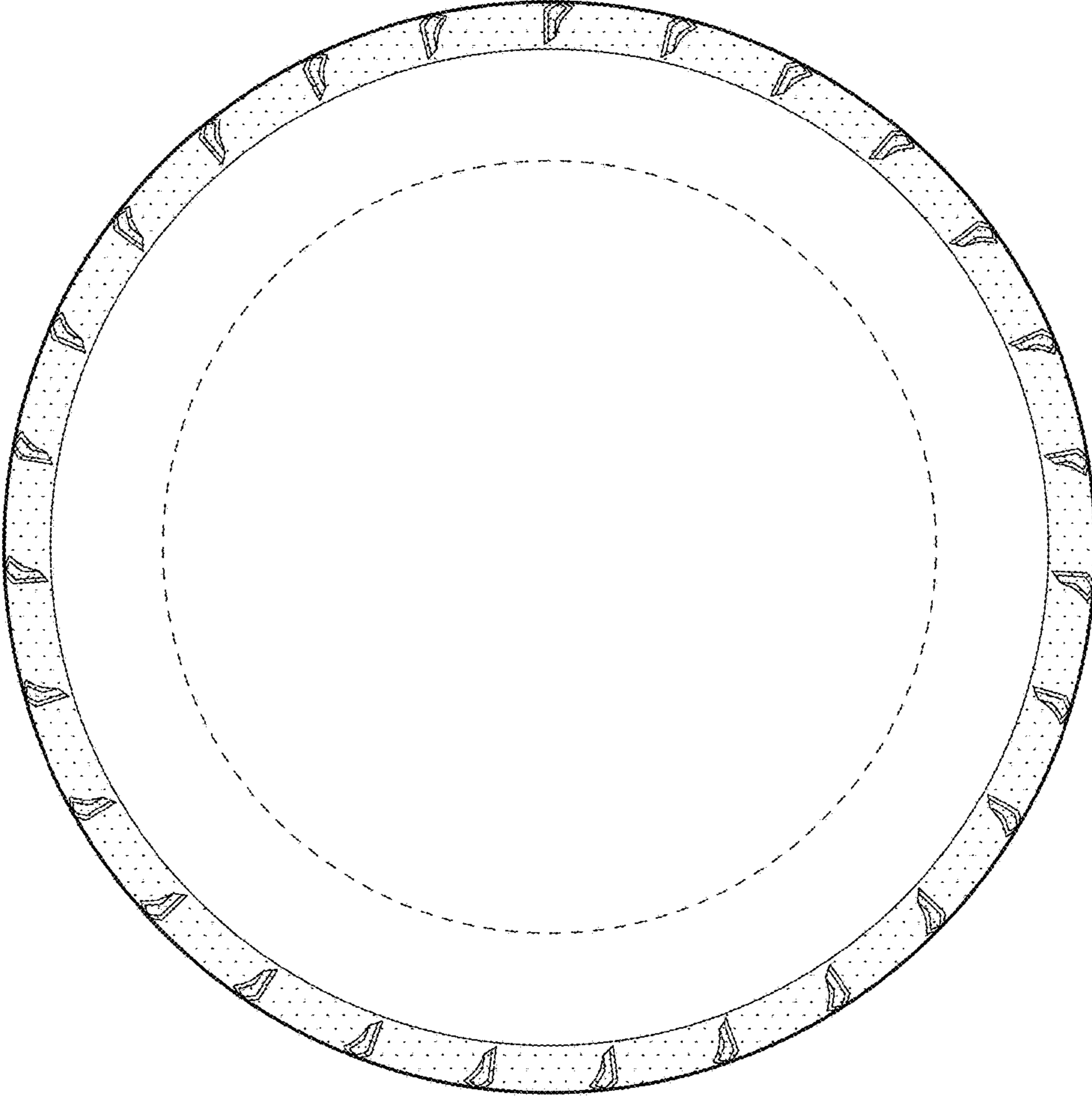


FIG. 5

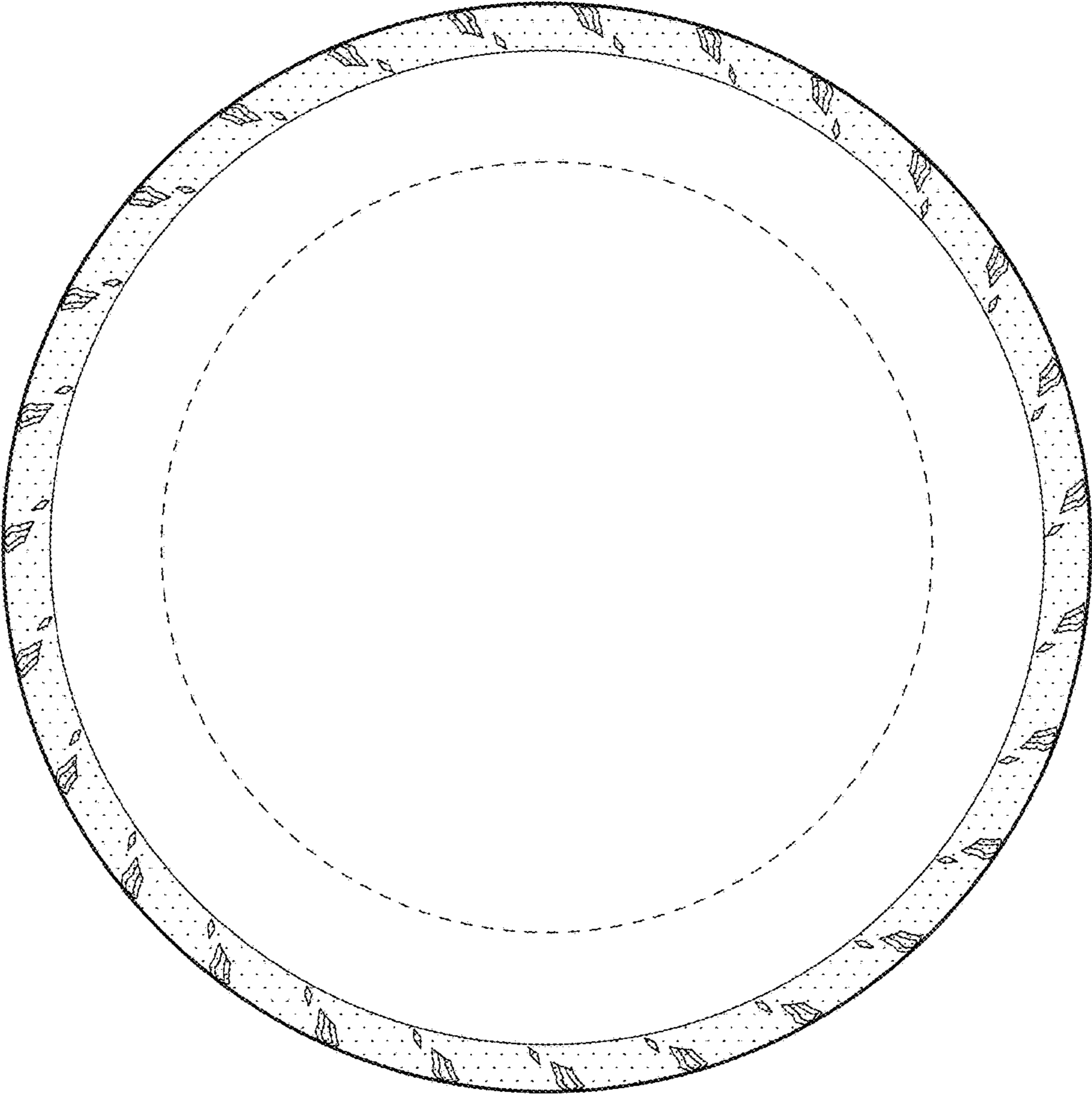


FIG. 6

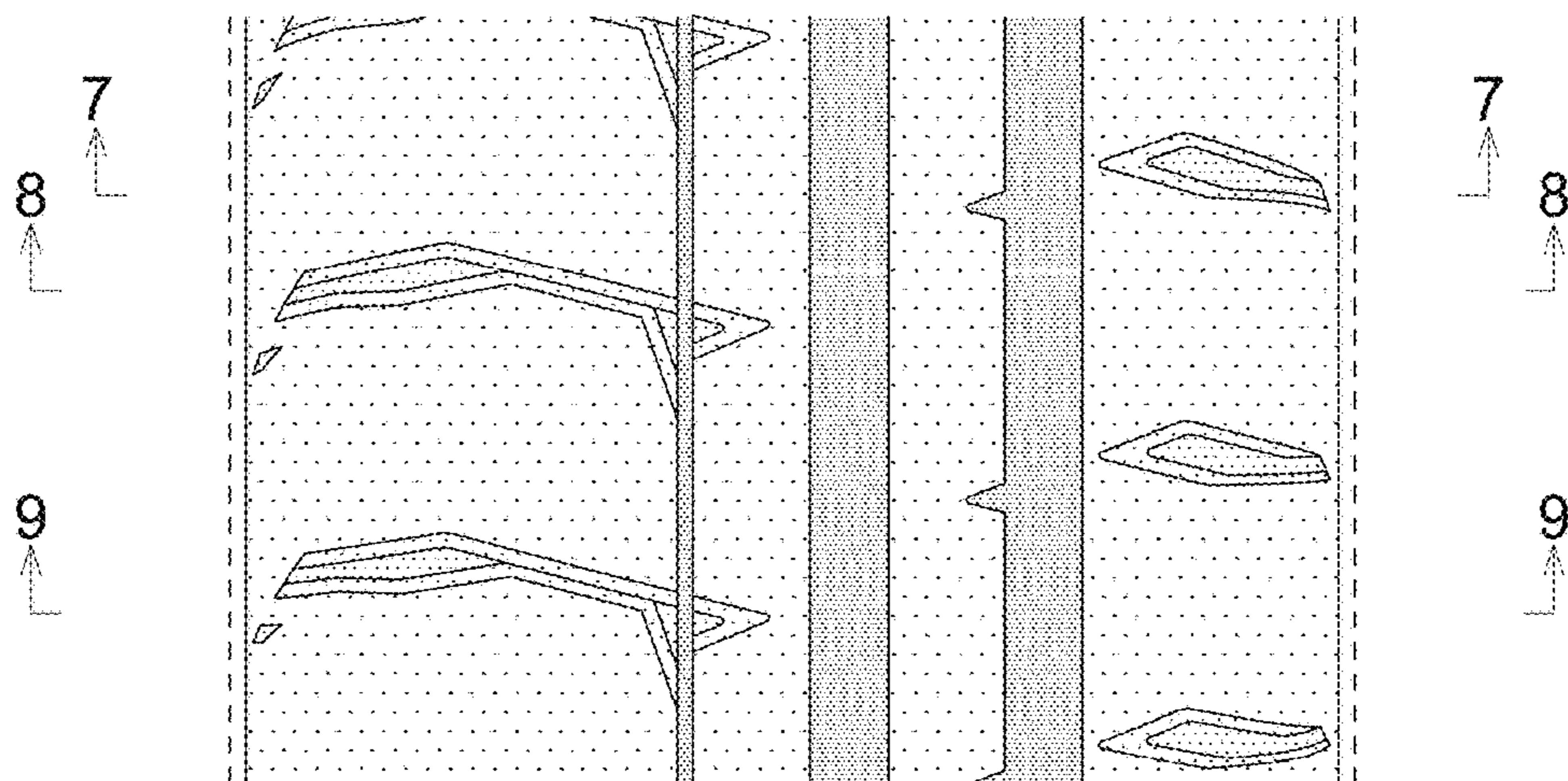


FIG. 7

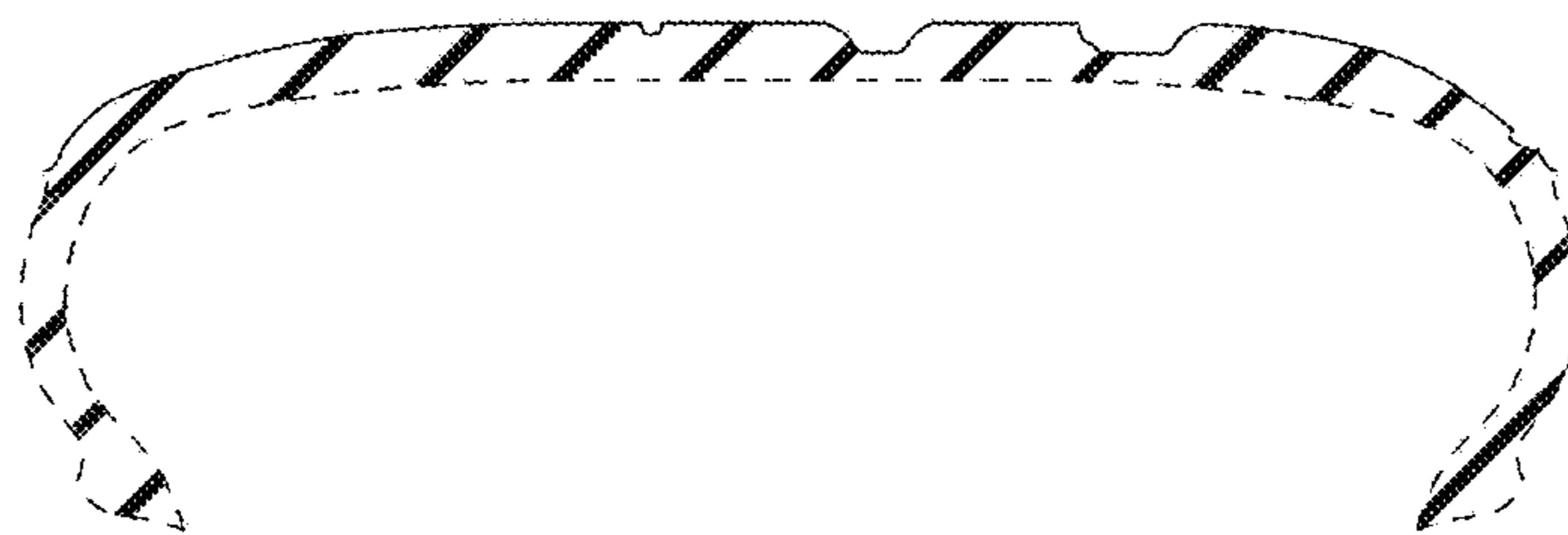


FIG. 8



FIG. 9

