



US00D852117S

(12) **United States Design Patent** (10) **Patent No.:** **US D852,117 S**
Meetarbhan et al. (45) **Date of Patent:** **** Jun. 25, 2019**

(54) **TIRE**

(71) Applicant: **The Goodyear Tire & Rubber Company, Akron, OH (US)**

(72) Inventors: **Mihir Singh Meetarbhan, Blaschette (LU); Armand Rene Gabriel Leconte, Bigonville (LU); Sebastien Willy Fontaine, Vichten (LU)**

(73) Assignee: **The Goodyear Tire & Rubber Company, Akron, OH (US)**

(**) Term: **15 Years**

(21) Appl. No.: **29/628,052**

(22) Filed: **Dec. 1, 2017**

(51) **LOC (11) Cl.** **12-15**

(52) **U.S. Cl.**
 USPC **D12/517**

(58) **Field of Classification Search**
 USPC D12/500-532, 604
 CPC Y10T 152/10027; B60C 1/0016; B60C 11/0306; B60C 11/0302; B60C 3/06; B60C 9/17
 See application file for complete search history.

(56) **References Cited**

U.S. PATENT DOCUMENTS

D548,680 S	8/2007	Heinen et al.	D12/603
D581,346 S	11/2008	Shondel et al.	D12/521
D593,931 S	6/2009	Fontaine et al.	D12/521
D595,220 S	6/2009	Maxwell	D12/590
D600,193 S *	9/2009	Nukala	D12/521
D606,925 S	12/2009	Shavers et al.	D12/521
D606,926 S	12/2009	Heinen et al.	D12/521
D610,962 S	3/2010	Allison et al.	D12/532
D619,958 S	7/2010	Maxwell	D12/586
D631,001 S	1/2011	Hughes et al.	D12/601
D659,084 S	5/2012	Graas et al.	D12/590

D665,335 S *	8/2012	Baumard	D12/517
D666,137 S	8/2012	Sieber et al.	D12/517
D668,600 S	10/2012	Pingenat et al.	D12/584
D700,884 S	3/2014	Herbeuval et al.	D12/584
D721,030 S *	1/2015	Kato	D12/517
D728,463 S	5/2015	Lindner et al.	D12/588
D734,243 S *	7/2015	Mosko	D12/532

(Continued)

Primary Examiner — Lakiya G Rogers
Assistant Examiner — John A Voytek
 (74) *Attorney, Agent, or Firm* — Robert N. Lipsik

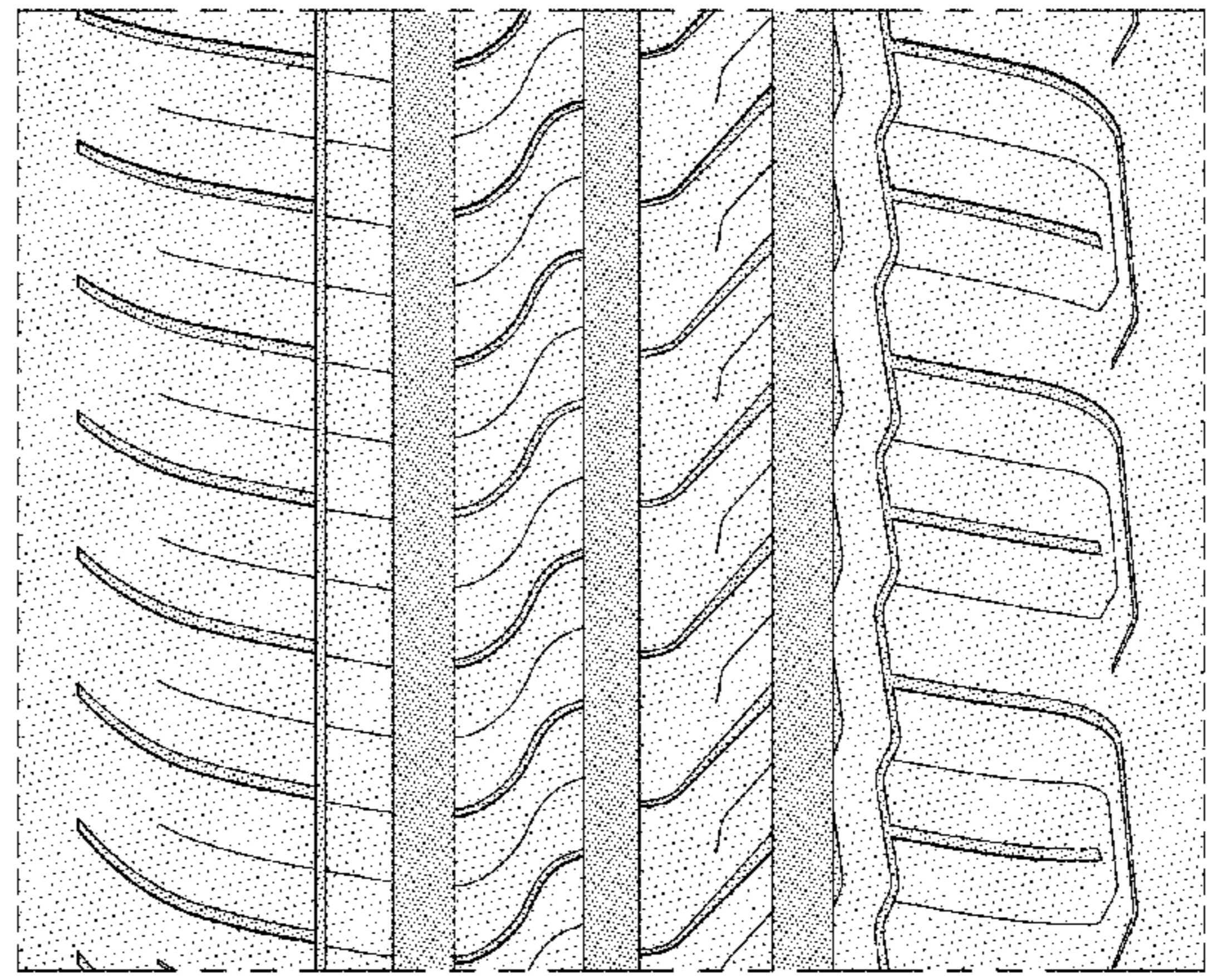
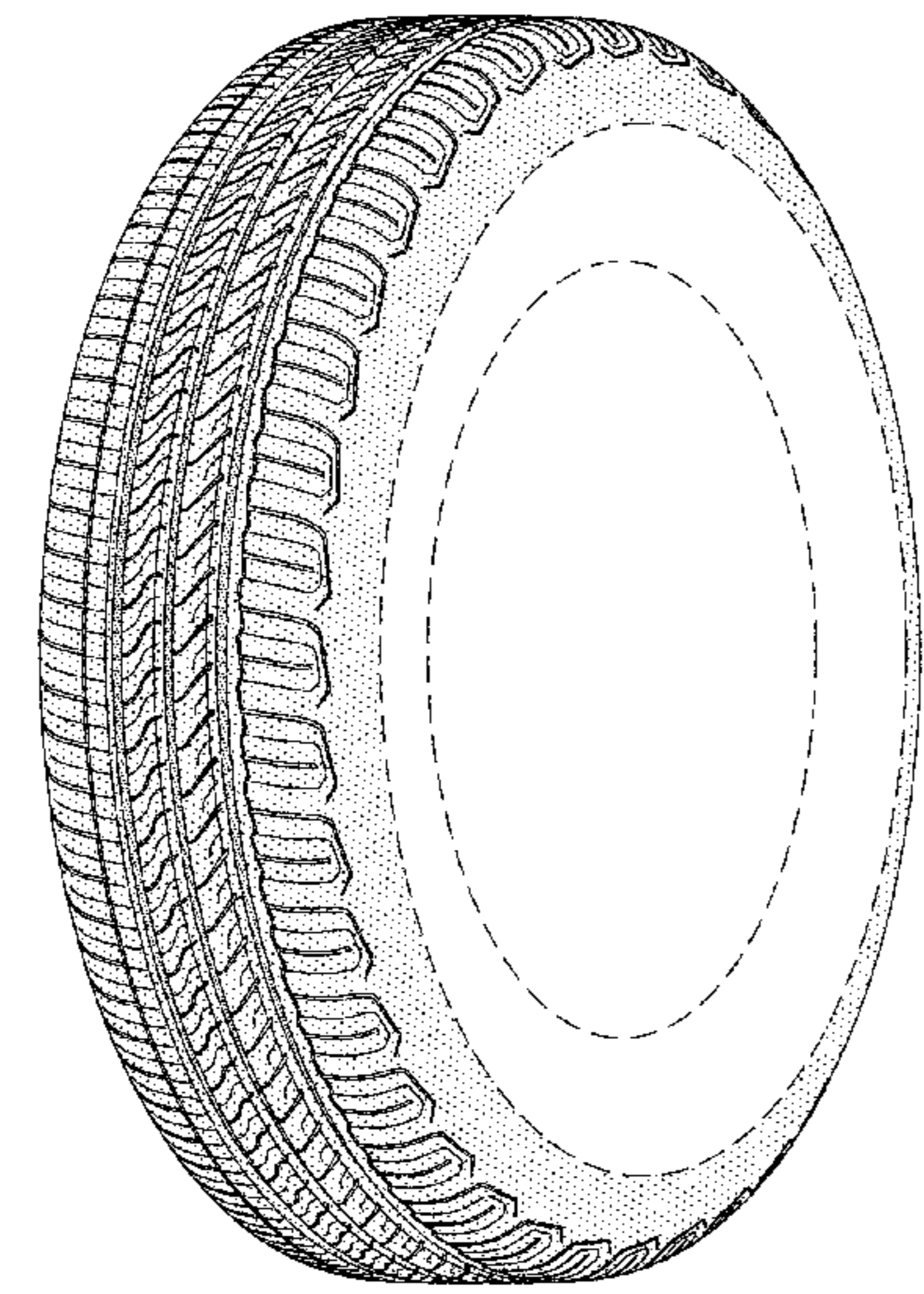
(57) **CLAIM**

The ornamental design for a tire, as shown and described.

DESCRIPTION

FIG. 1 is a perspective view of a tire showing our new design, it being understood that the pattern repeats uniformly throughout the circumference of the tread;
 FIG. 2 is a front elevational view thereof;
 FIG. 3 is a right side elevational view thereof;
 FIG. 4 is a left side elevational view thereof;
 FIG. 5 is an enlarged fragmentary front elevational view thereof;
 FIG. 6 is a perspective view of a second embodiment of a tire showing our new design, it being understood that the interior of the tire forms no part of the claim, that the pattern repeats uniformly throughout the circumference of the tread and that the opposite side view is a mirror image thereof; and, ps FIG. 7 is a front elevational view of a second embodiment, it being understood that an enlarged fragmentary view thereof would be substantially identical to that shown in FIG. 4, with the exception of the inclusion of the sidewall in the claim.
 In the drawings, the broken lines immediately adjacent to the outer edges of the tire shoulder represent boundaries of the claim. All other broken lines shown in the drawings depict portions of the article that form no part of the claim.

1 Claim, 7 Drawing Sheets



(56)

References Cited

U.S. PATENT DOCUMENTS

D747,677 S *	1/2016	Hughes	D12/517
D761,726 S	7/2016	Umstot et al.	D12/601
D764,391 S	8/2016	Shen et al.	D12/584
D767,482 S	9/2016	Kiwaki et al.	D12/603
D771,554 S	11/2016	Garcia et al.	D12/574
D771,555 S	11/2016	Neary et al.	D12/584
D790,438 S *	6/2017	Seii	D12/517
D791,063 S	7/2017	Simon et al.	D12/517
D795,165 S *	8/2017	Philipot	D12/521
D795,170 S	8/2017	Ngo et al.	D12/584
D795,790 S *	8/2017	Simon	D12/517
D826,841 S *	8/2018	Kujime	D12/505
D830,953 S *	10/2018	Behr	D12/515

* cited by examiner

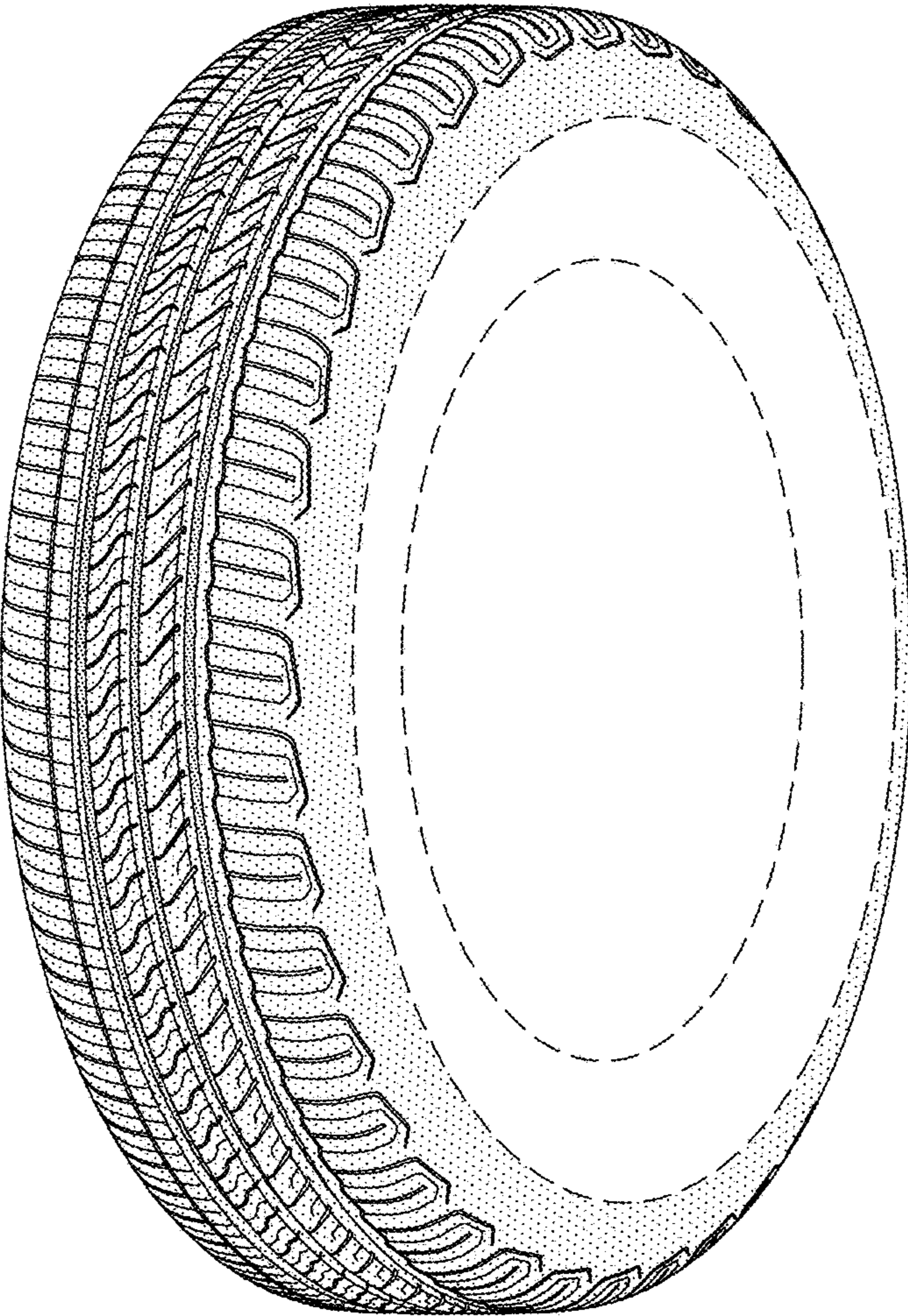


FIG. 1

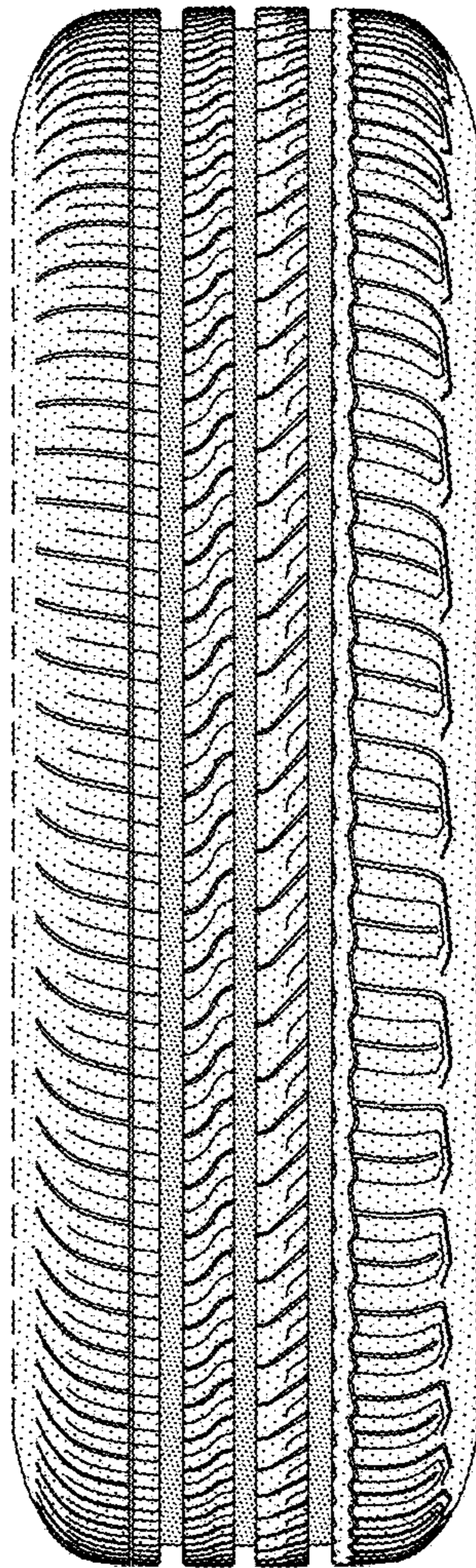


FIG. 2

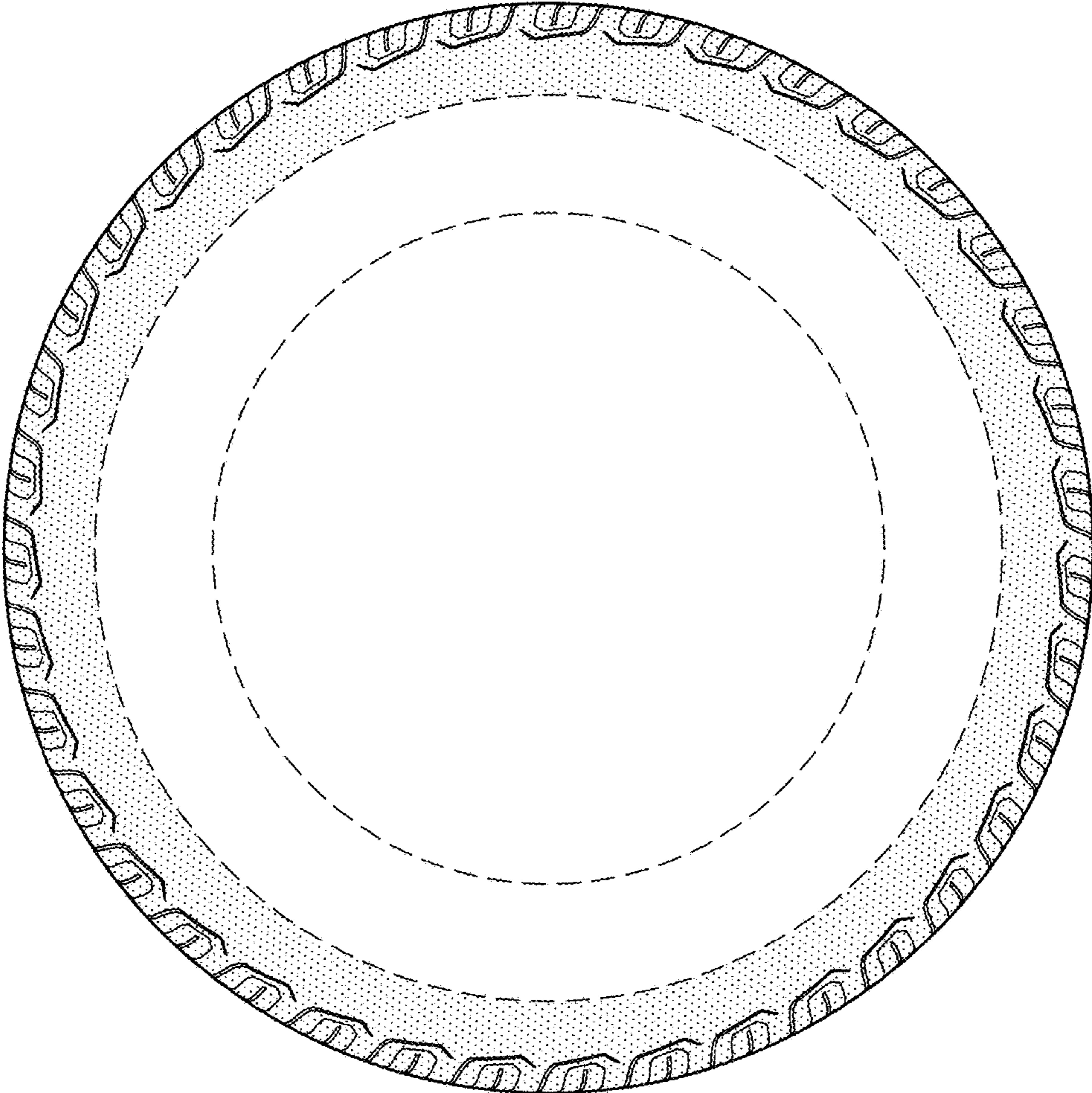


FIG. 3

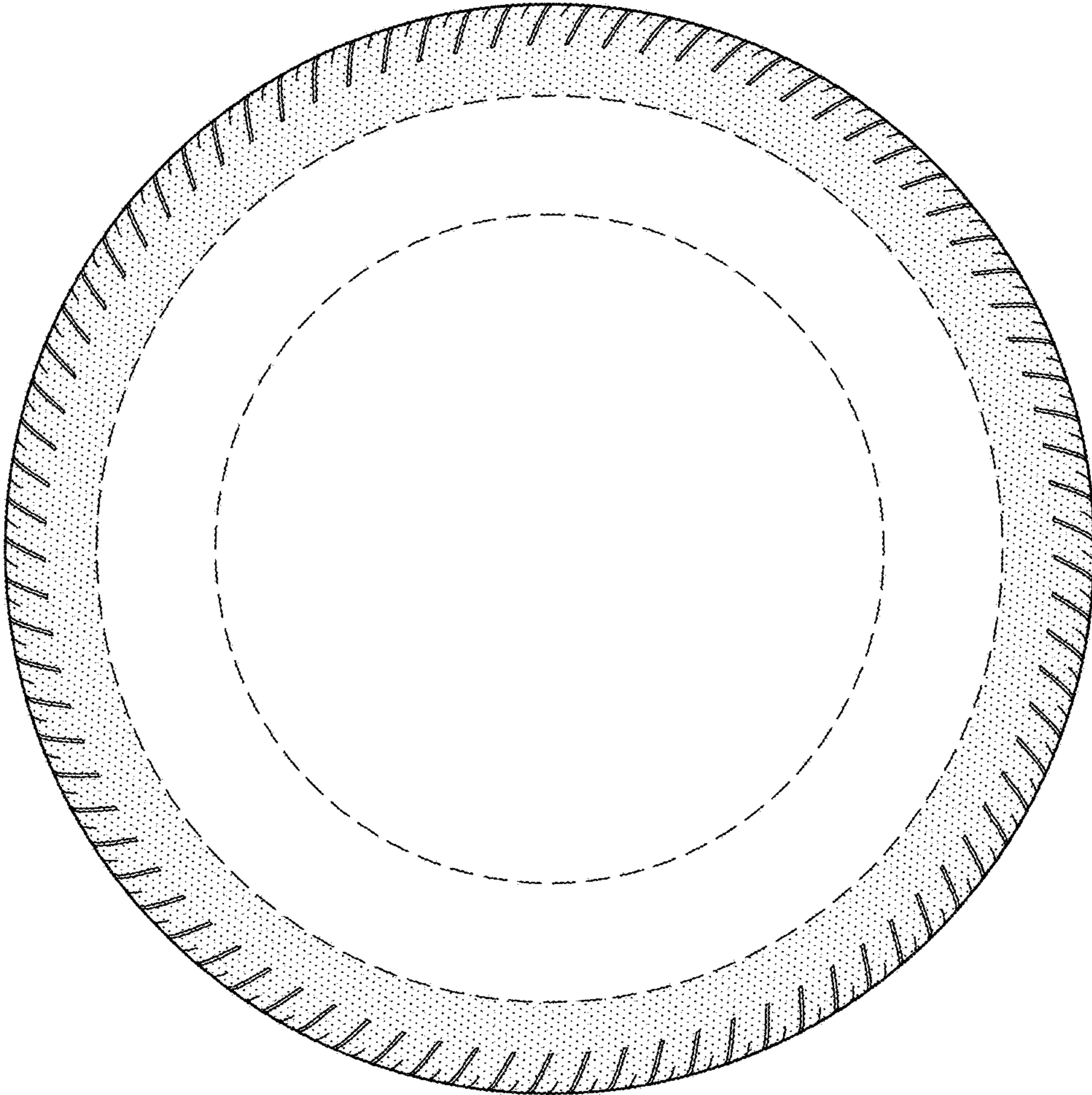


FIG. 4

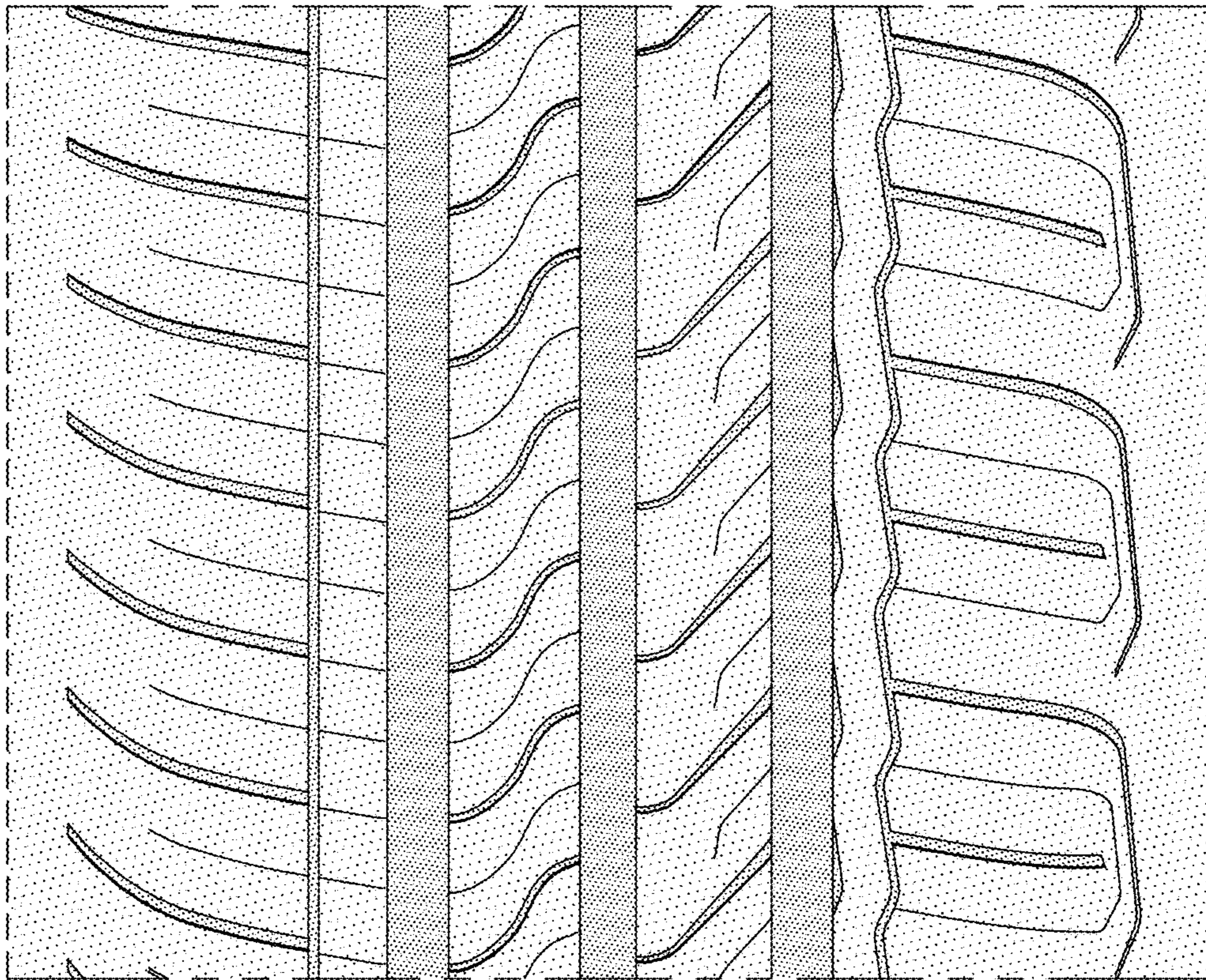


FIG. 5

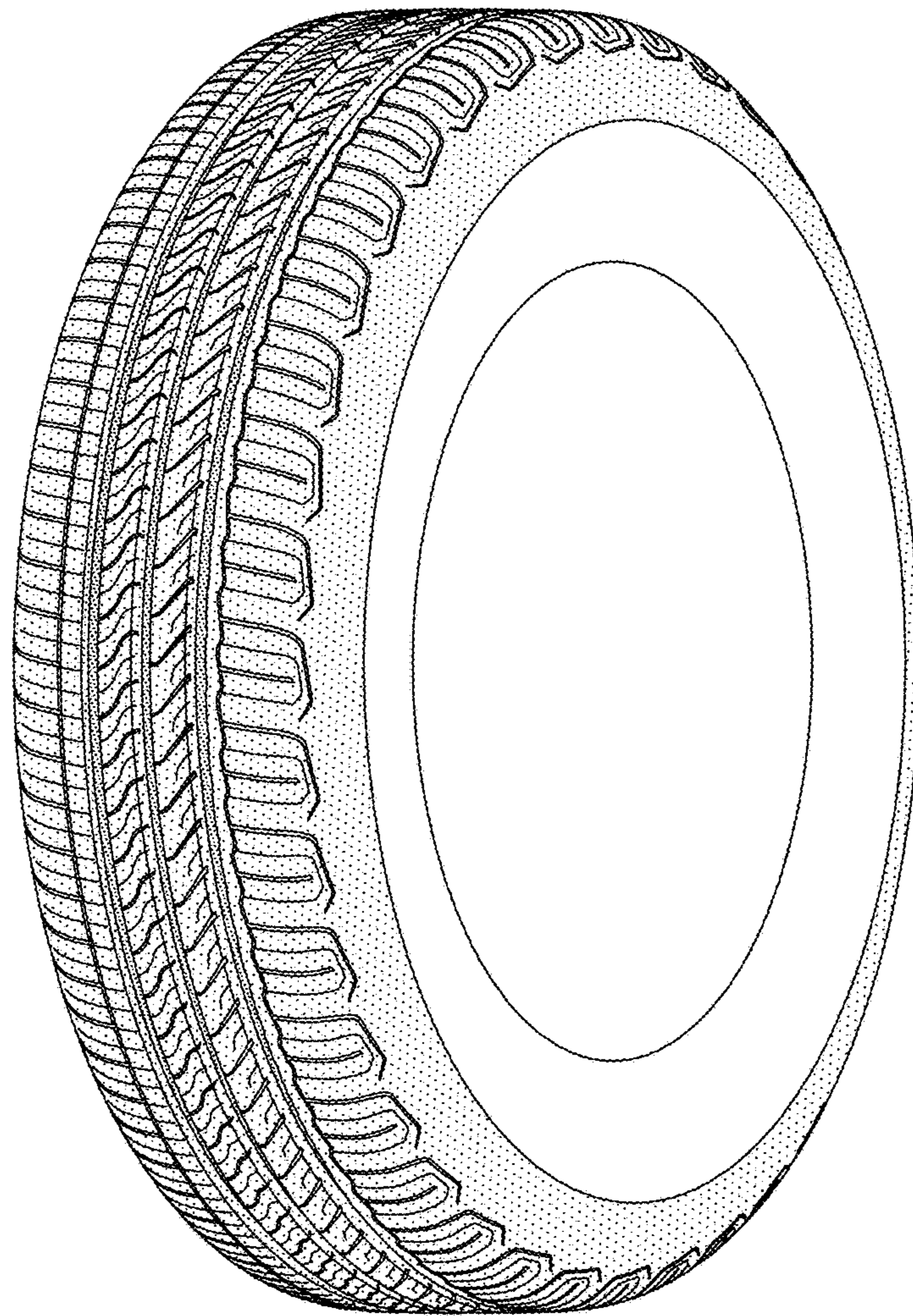


FIG. 6

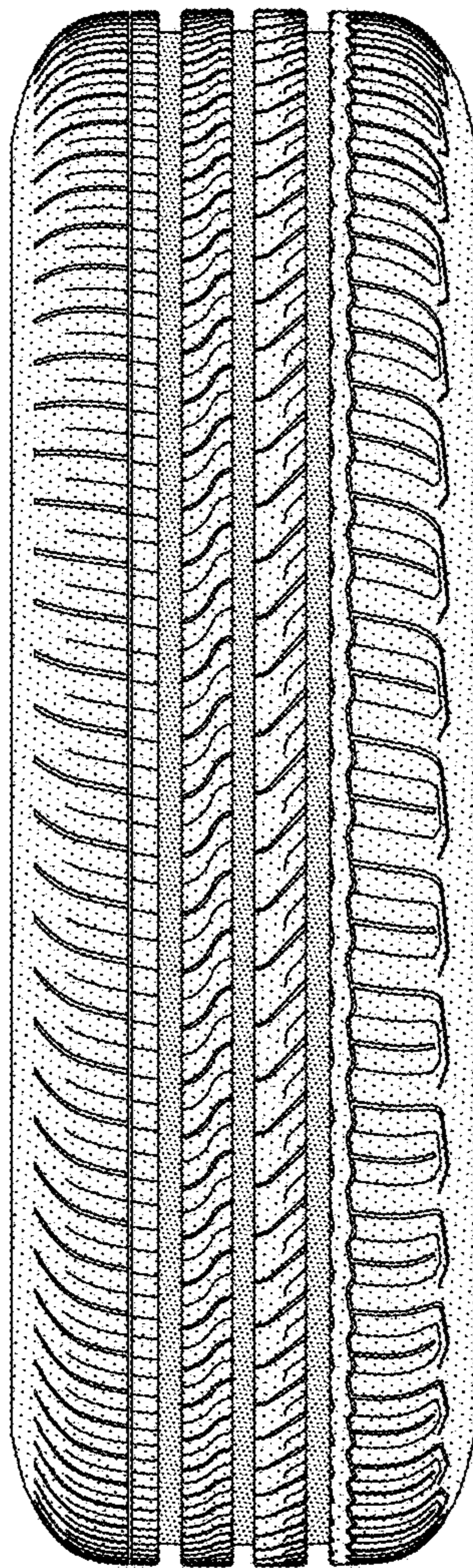


FIG. 7