



US00D852116S

(12) **United States Design Patent** (10) **Patent No.:** **US D852,116 S**
Jun (45) **Date of Patent:** **** Jun. 25, 2019**

(54) **CAR MOBILE PHONE HOLDER**

(71) Applicant: **Shenzhen Suren Luggage Co., Ltd.**,
Shenzhen (CN)

(72) Inventor: **Huang Jun**, Shenzhen (CN)

(**) Term: **15 Years**

(21) Appl. No.: **29/678,258**

(22) Filed: **Jan. 28, 2019**

(51) **LOC (11) Cl.** **12-16**

(52) **U.S. Cl.**
USPC **D12/415**

(58) **Field of Classification Search**
USPC D12/415-420, 400, 191, 423; D14/253;
D6/513, 514, 611, 553, 556, 559
CPC B60R 11/02; B60R 2011/0005
See application file for complete search history.

(56) **References Cited**

U.S. PATENT DOCUMENTS

D570,836 S	6/2008	Chen	
D593,103 S	5/2009	Richter	
D603,322 S *	11/2009	Nicieja	D12/415
D619,586 S	7/2010	Richter	
D638,008 S	5/2011	Richter	
D690,707 S *	10/2013	Minn	B60R 11/0241 D14/447
D713,398 S	9/2014	Alesi et al.	
D735,210 S	7/2015	Kim et al.	
D767,556 S *	9/2016	Lee	D12/415
D796,421 S *	9/2017	Huang	D12/415
D818,421 S *	5/2018	Hu	D12/415
D825,545 S *	8/2018	McSweyn	D14/253
D831,665 S *	10/2018	Yao	D14/447
D831,666 S *	10/2018	Yao	D14/447
D833,369 S *	11/2018	Lan	D12/415
D843,308 S *	3/2019	Jung	D12/415

OTHER PUBLICATIONS

Universal Car Windshield Magnetic Phone Holder Stand Strong Strength Magnet Car Mount Holder Long Gooseneck Magnetic, https://www.alibaba.com/product-detail/Universal-Car-Windshield-Magnetic-Phone-Holder_60761103327.html.

* cited by examiner

Primary Examiner — Katrina A Betton

(74) *Attorney, Agent, or Firm* — Wayne V. Harper

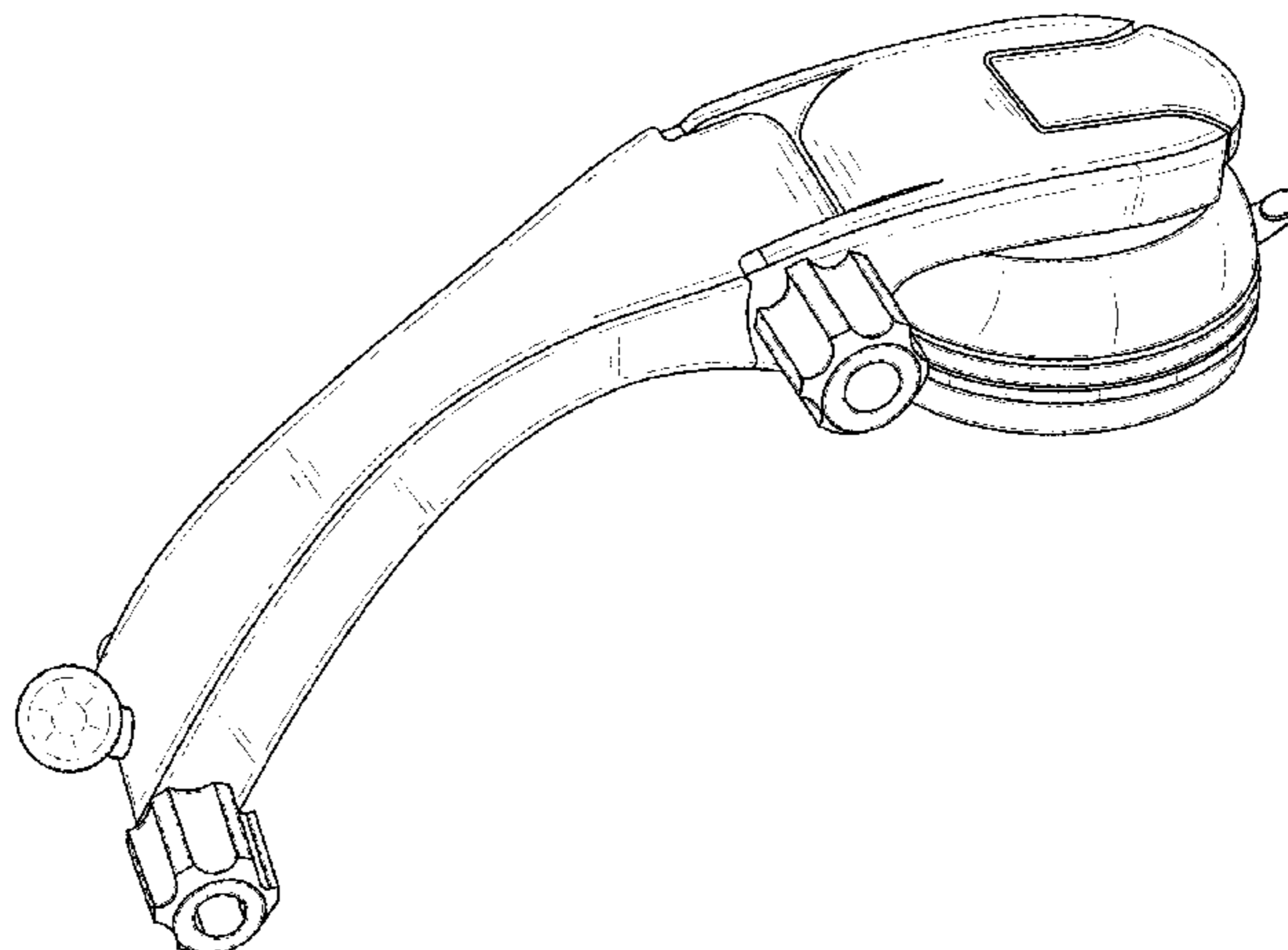
(57) **CLAIM**

I claim the ornamental design for a car mobile phone holder, as shown and described.

DESCRIPTION

FIG. 1 is a perspective view of a car mobile phone holder showing my new design;
FIG. 2 is a Top view of the car mobile phone holder as shown in FIG. 1;
FIG. 3 is a Bottom view of the car mobile phone holder as shown in FIG. 1;
FIG. 4 is a Left-side view of the car mobile phone holder as shown in FIG. 1;
FIG. 5 is a Right-side view of the car mobile phone holder as shown in FIG. 1;
FIG. 6 is a Front view of the car mobile phone holder as shown in FIG. 1;
FIG. 7 is a Back view of the car mobile phone holder as shown in FIG. 1; and,
FIG. 8 is a other perspective view of the car mobile phone holder as shown in FIG. 1.
The broken lines are only for environmental purposes and form no part of the claimed design. No particular colour scheme forms part of the claimed design.

1 Claim, 7 Drawing Sheets



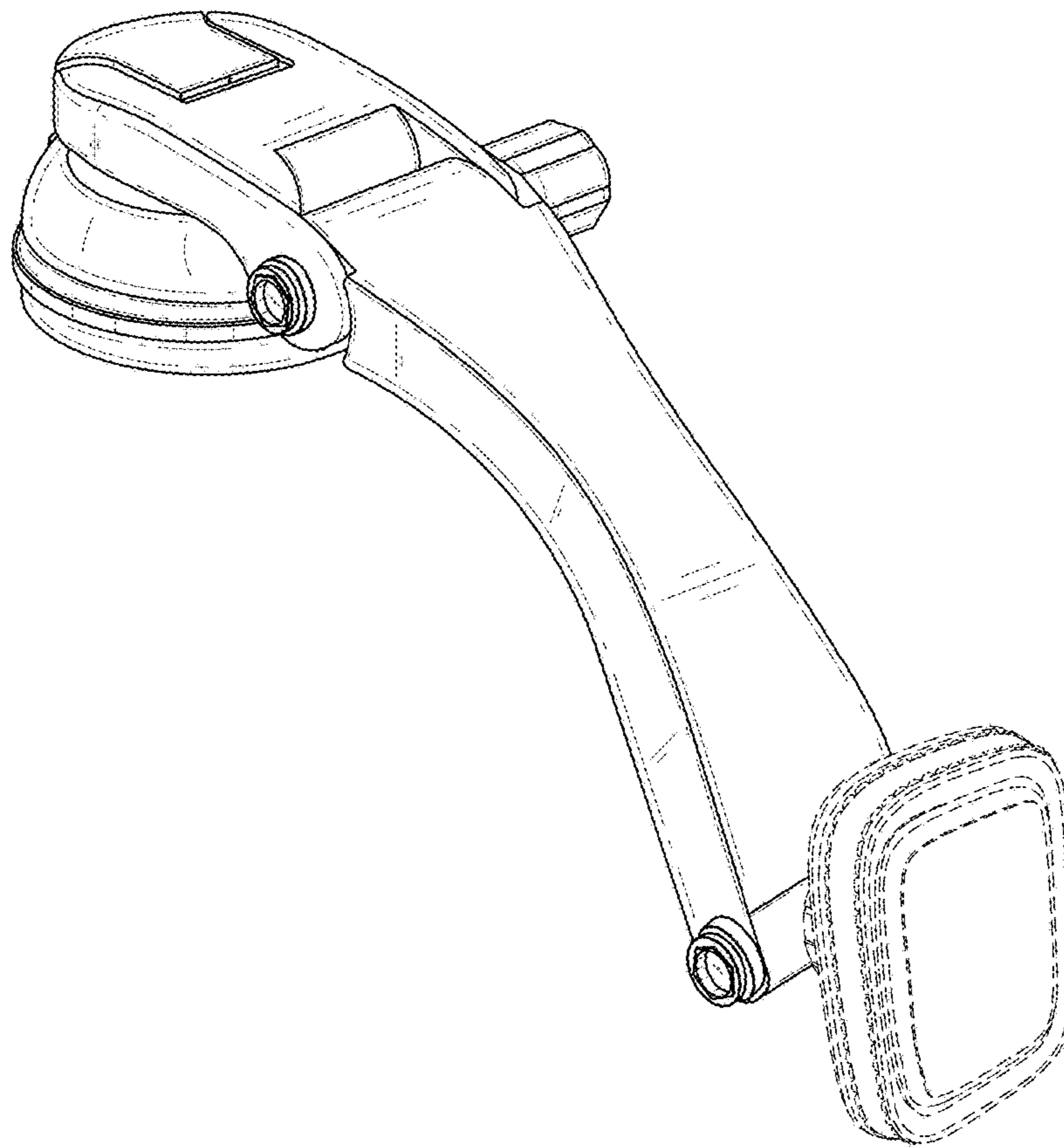


FIG. 1

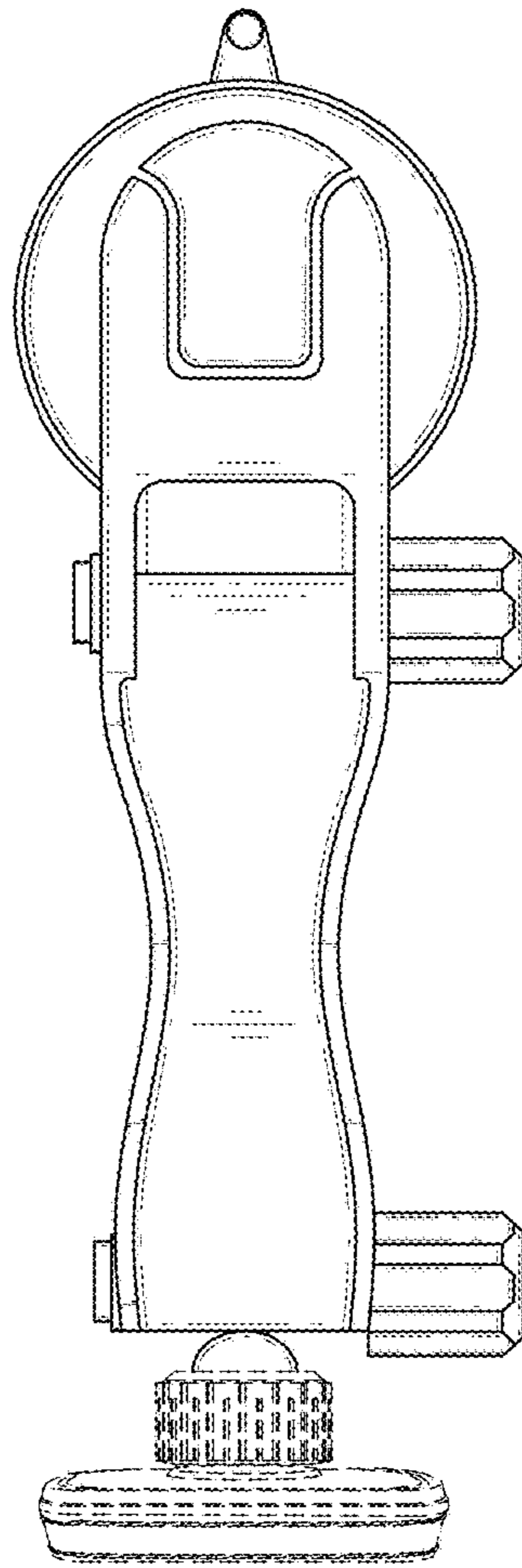


FIG. 2

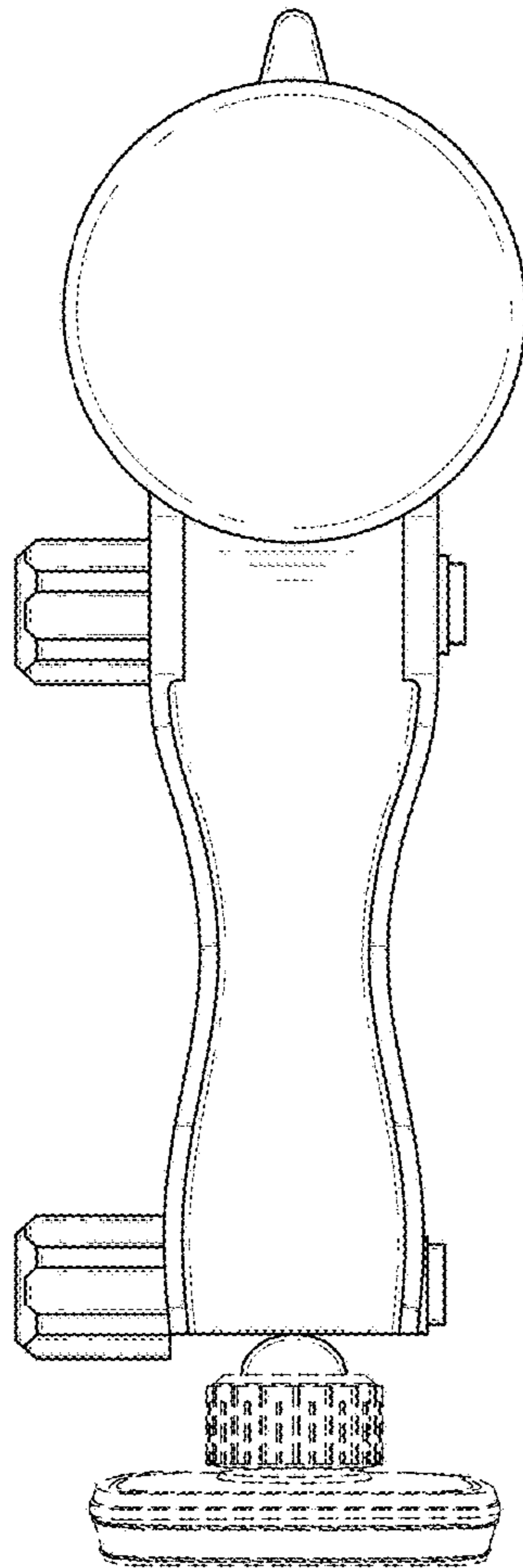


FIG. 3

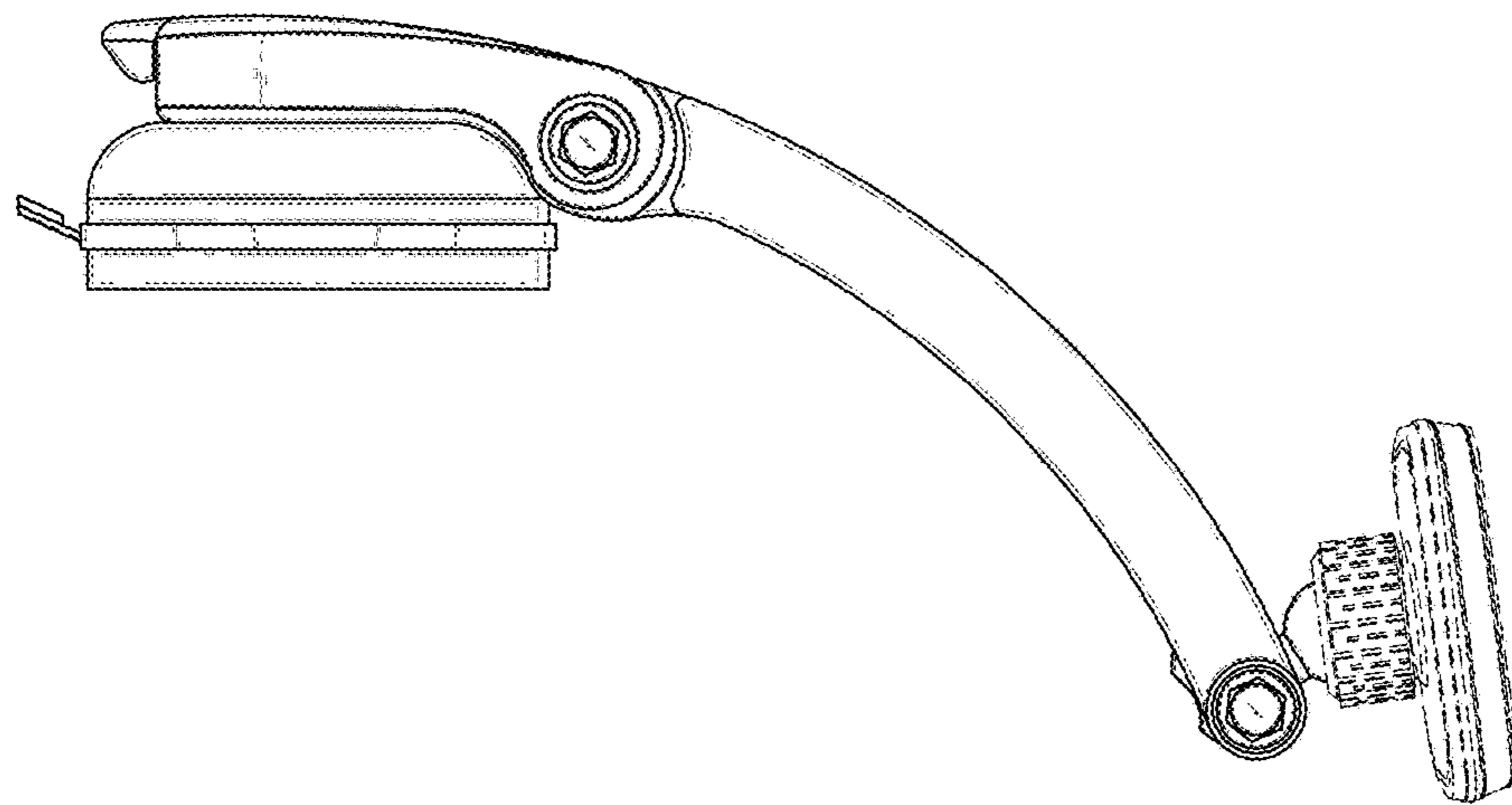


FIG. 4

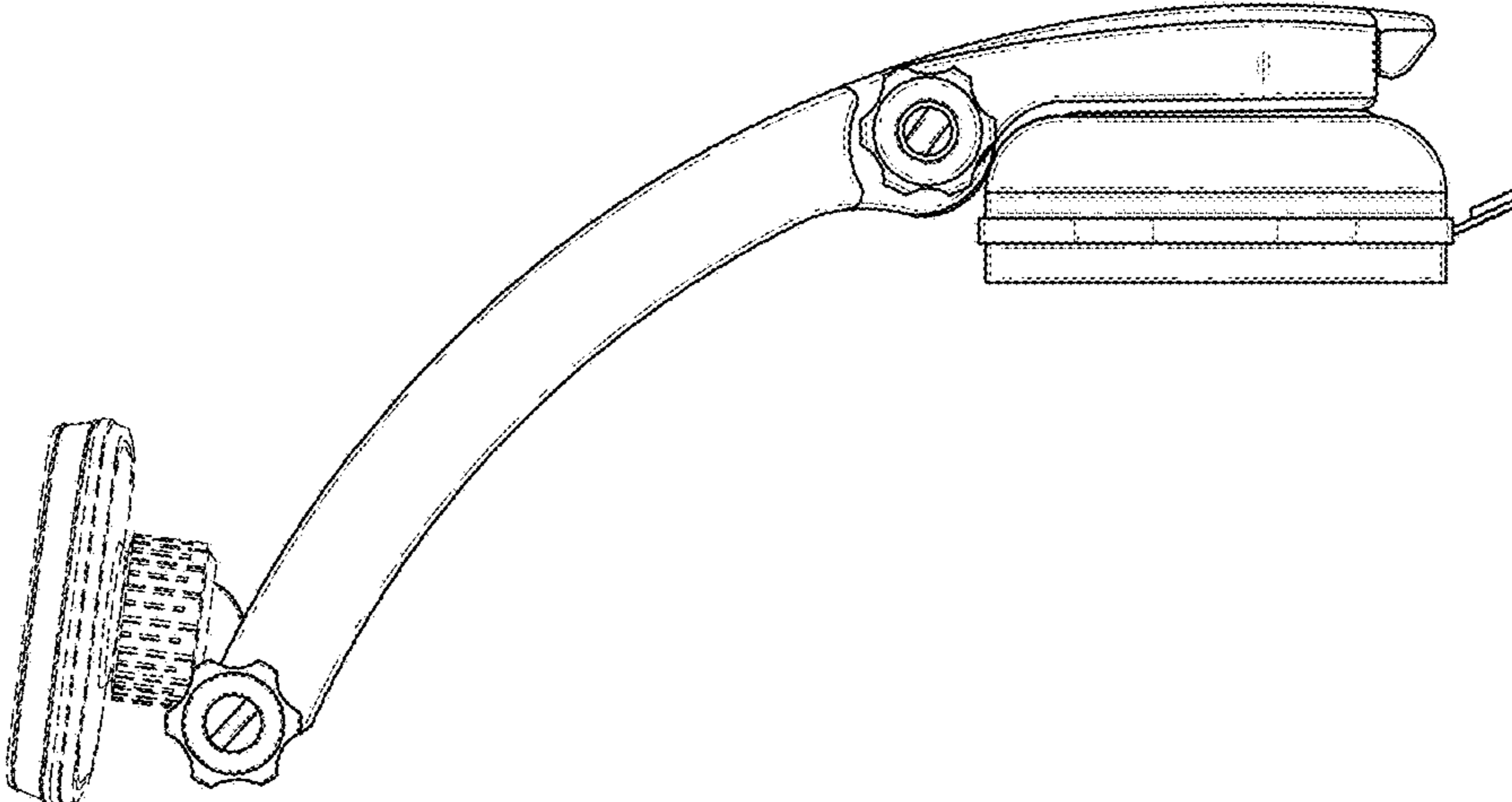


FIG. 5

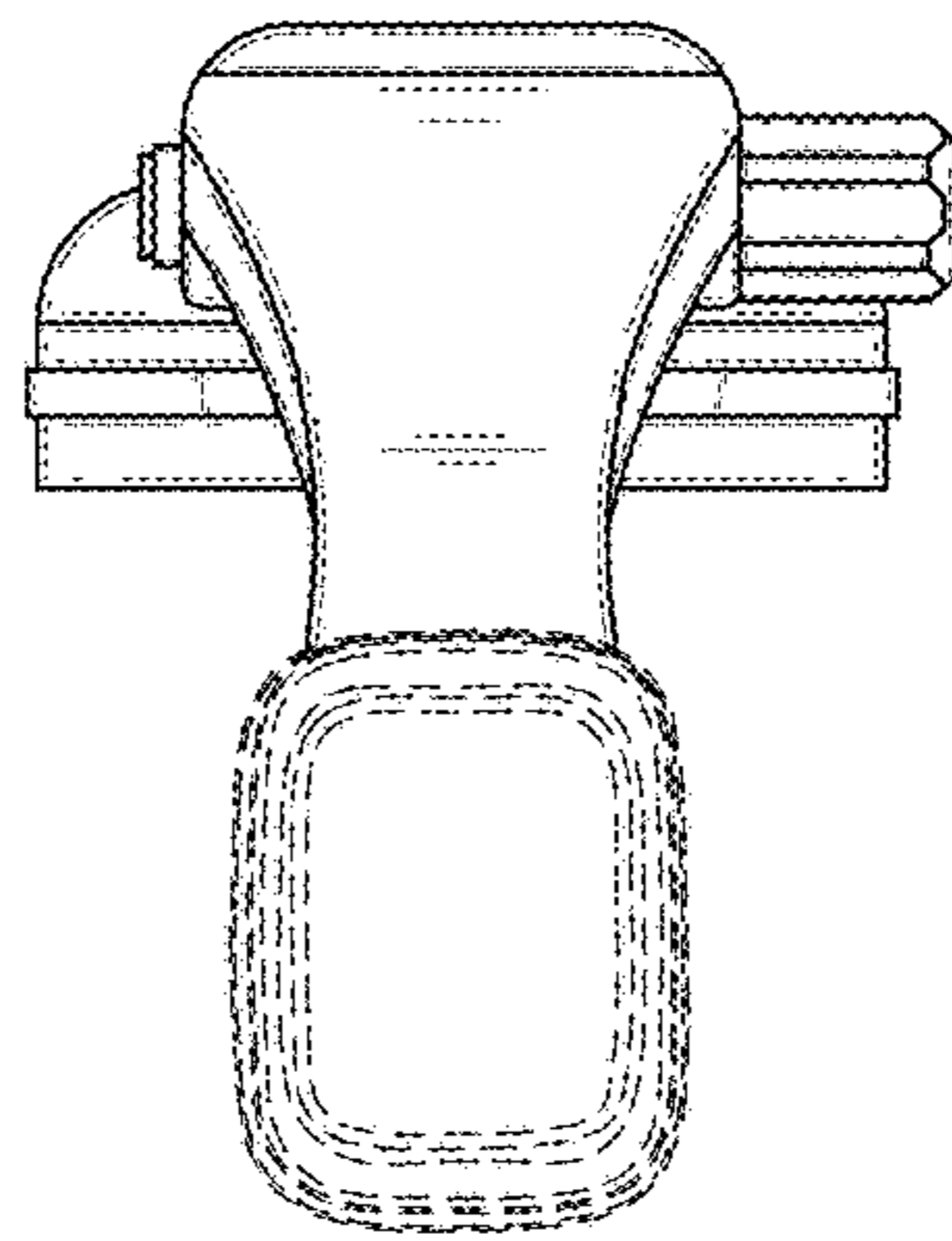


FIG. 6

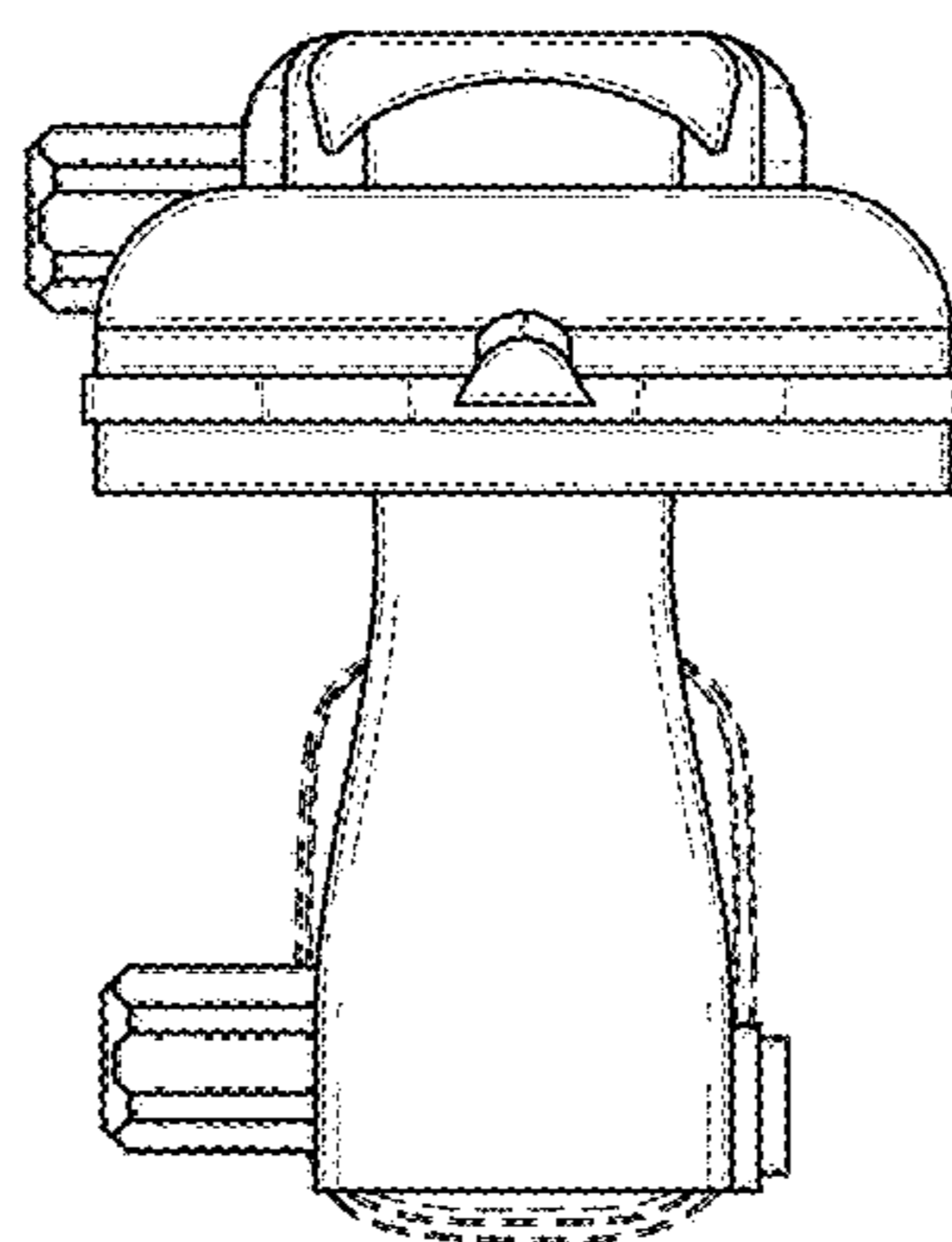


FIG. 7

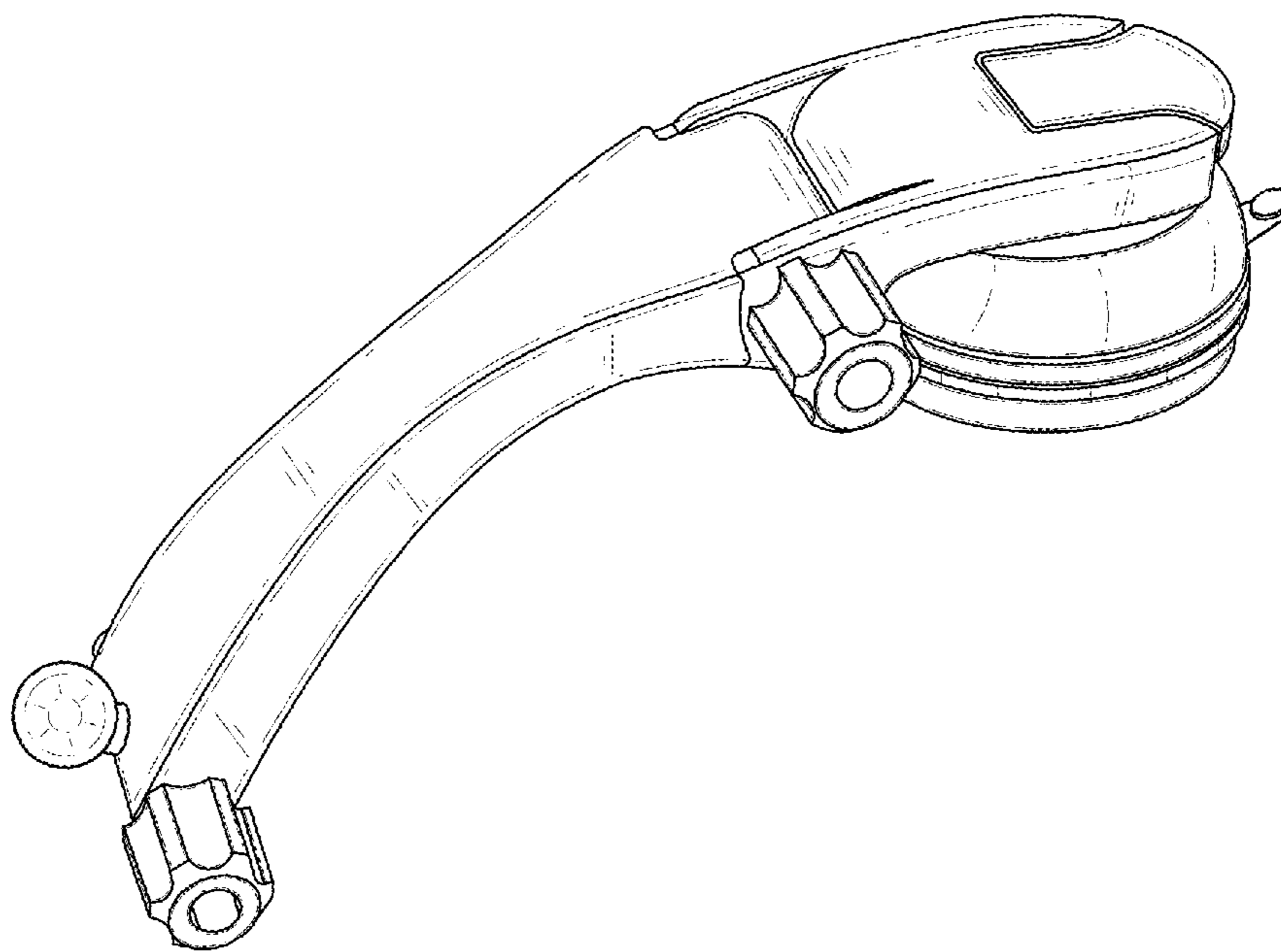


FIG. 8