



US00D852115S

(12) **United States Design Patent**
Rios

(10) **Patent No.:** **US D852,115 S**

(45) **Date of Patent:** **** Jun. 25, 2019**

(54) **ELECTRONIC STORAGE BOX FOR VEHICLES**

(71) Applicant: **Westin Automotive Products, Inc.**,
San Dimas, CA (US)

(72) Inventor: **Carlos Rios**, Mira Loma, CA (US)

(73) Assignee: **Westin Automotive Products, Inc.**,
San Dimas, CA (US)

(**) Term: **15 Years**

(21) Appl. No.: **29/610,970**

(22) Filed: **Jul. 18, 2017**

(51) **LOC (11) Cl.** **12-16**

(52) **U.S. Cl.**
USPC **D12/415**

(58) **Field of Classification Search**
USPC D12/415-419, 191, 106, 96, 400, 195,
D12/345, 99; 296/37.1, 37.8, 70, 24.3,
296/97.1, 97.2, 97.4, 97.5, 97.6, 97.7,
296/97.8, 180; 312/246; 224/311, 539,
224/281, 275; D8/354; D14/451-452;
248/278.1, 274.1, 284.1; D3/319;
160/370.21, 370.23, 370.22
CPC B60R 5/00; B60R 5/04; B60R 7/00; B60R
7/02; A47G 29/00
See application file for complete search history.

(56) **References Cited**

U.S. PATENT DOCUMENTS

D320,372 S * 10/1991 Alberts D12/414.1
D426,511 S * 6/2000 Mehuron D12/414.1

D450,644 S * 11/2001 Farkash D12/203
D564,438 S * 3/2008 Moore D12/414.1
D755,708 S * 5/2016 Roach D12/414.1
D757,707 S * 5/2016 Quilling, II D14/258
D771,275 S * 11/2016 Yarter D12/41

OTHER PUBLICATIONS

Go Rhino Public Safety Division; <http://publicsafety.gorhino.com/equipment-security-boxes-trays>; 2017, Go Rhino!Products.

* cited by examiner

Primary Examiner — Abraham Bahta

(74) *Attorney, Agent, or Firm* — The Dobrusin Law Firm, PC

(57) **CLAIM**

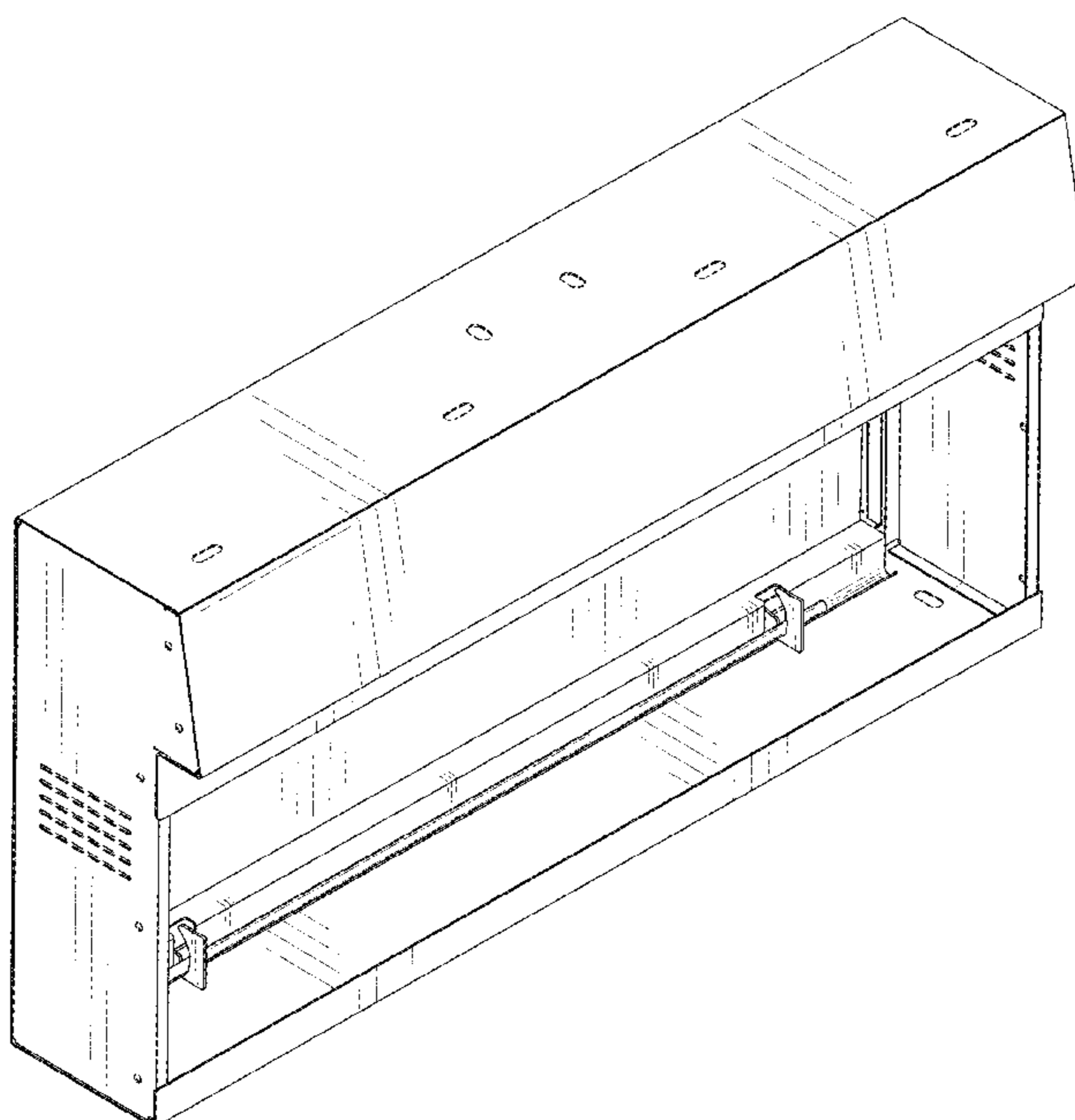
The ornamental design for an electronic storage box for vehicles, as shown and described.

DESCRIPTION

FIG. 1 is a rear perspective view of the electronic storage box showing my new design;
FIG. 2 is a front perspective view of FIG. 1 in a closed configuration with its tray up;
FIG. 3 is a front perspective view of FIG. 1 in an open configuration with its tray down;
FIG. 4 is a rear view thereof;
FIG. 5 is a front view thereof;
FIG. 6 is a top view thereof;
FIG. 7 is a bottom view thereof; and,
FIG. 8 is a right side view thereof; the left side view being a mirror image thereof.

The ornamental design which is claimed is shown in the solid lines in the drawings. The broken lines shown in the drawings are for the purpose of illustrating environmental structure and form no part of the claimed design.

1 Claim, 7 Drawing Sheets



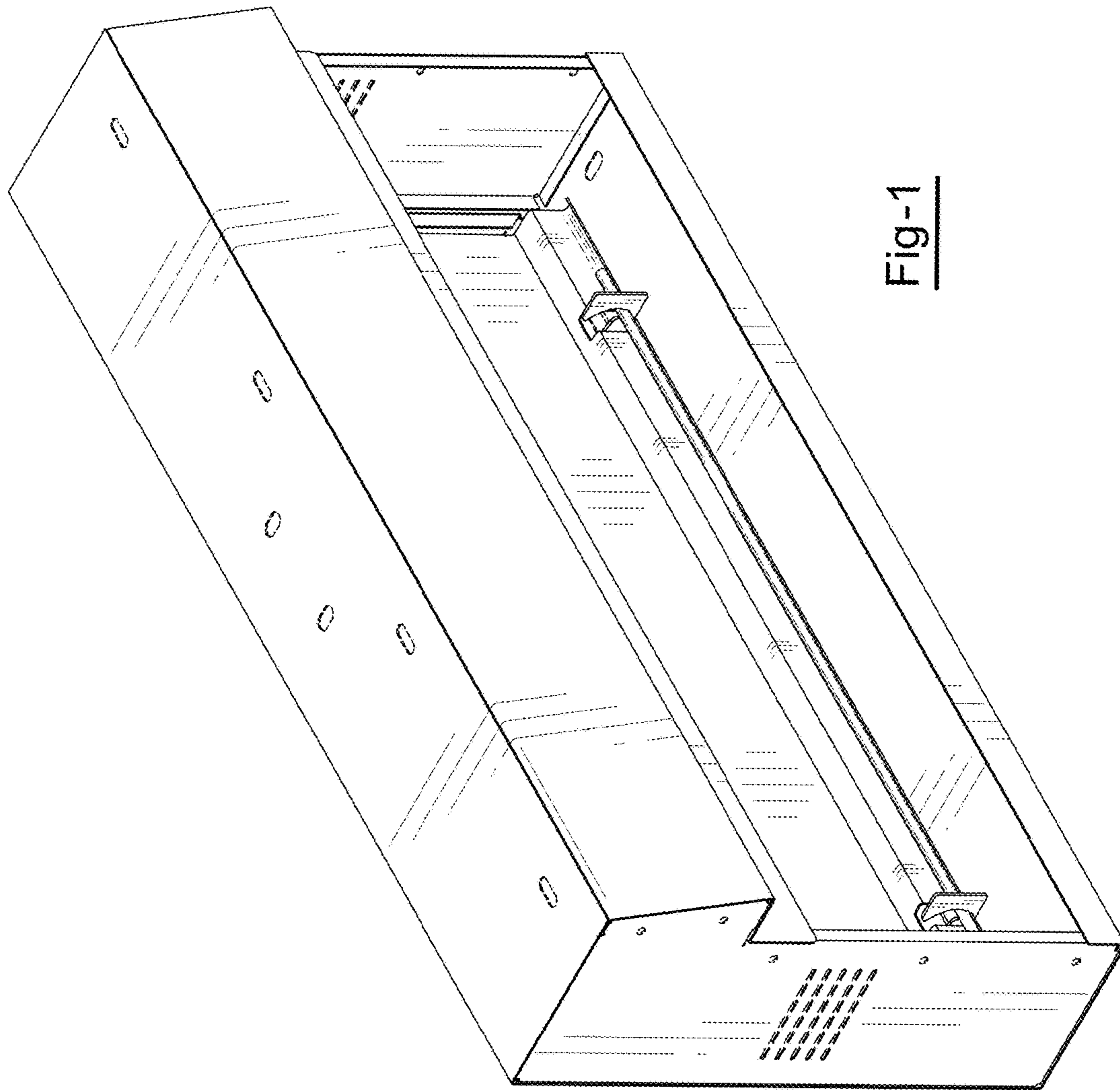


Fig-1

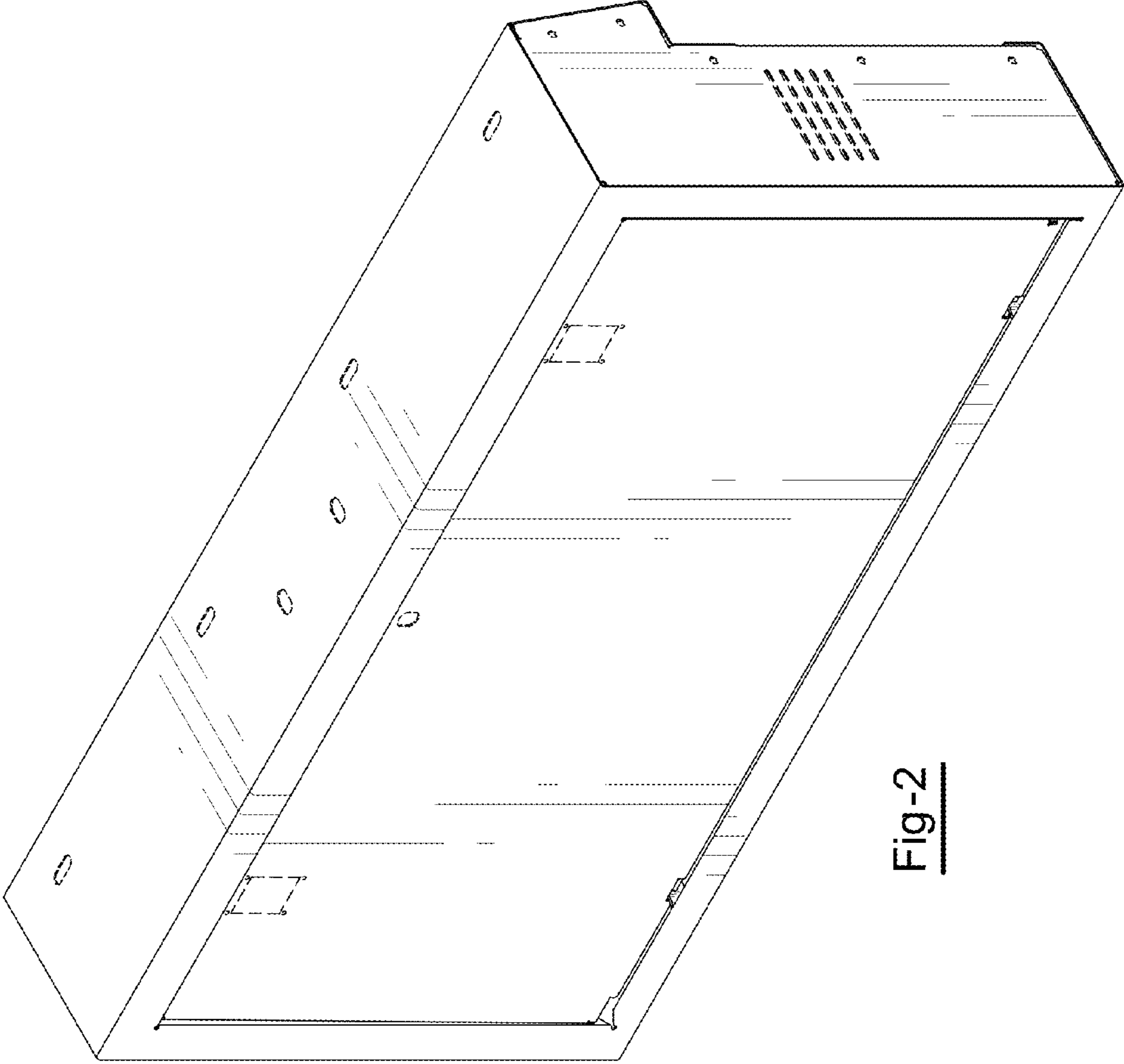


Fig-2

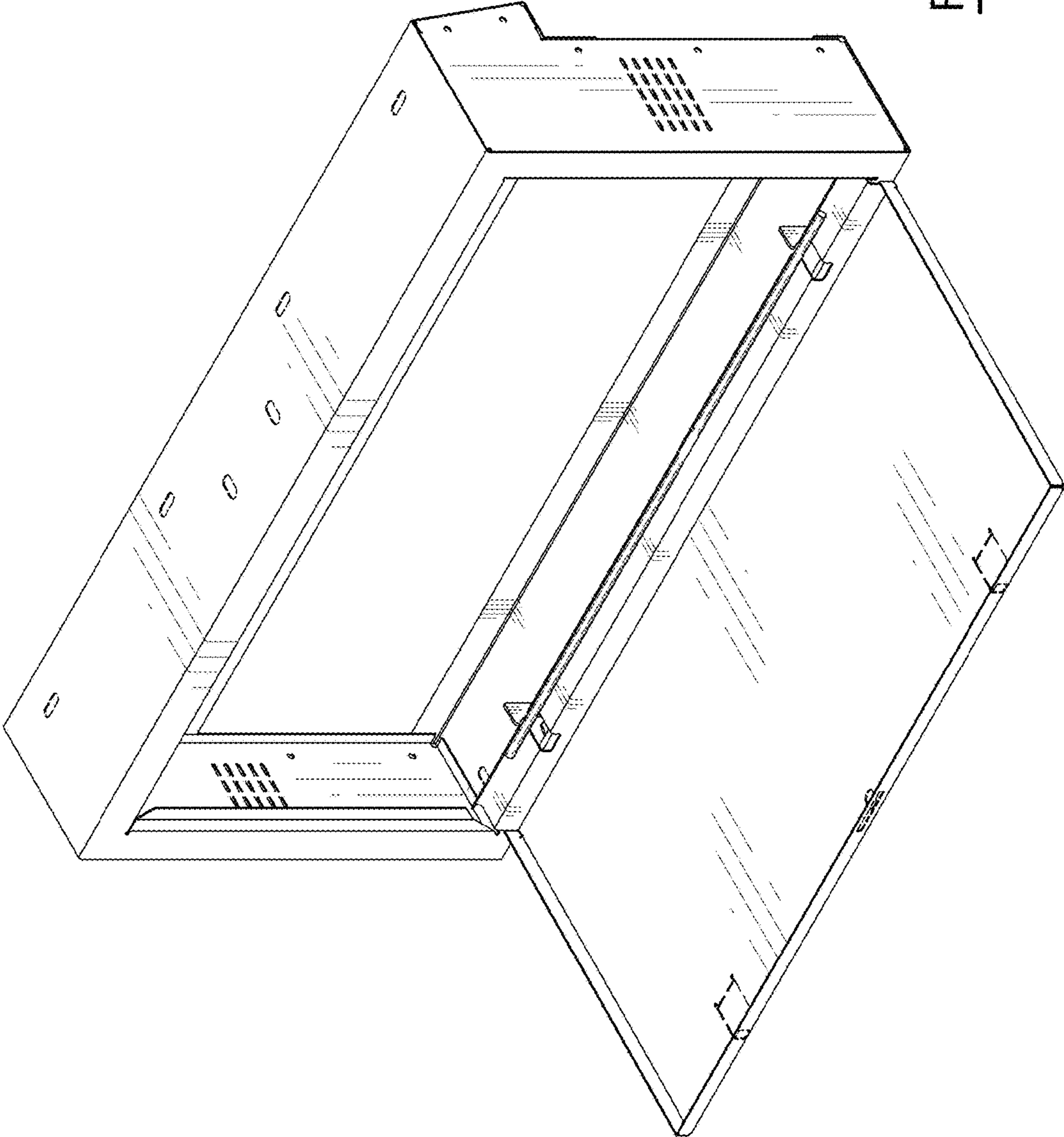


Fig-3

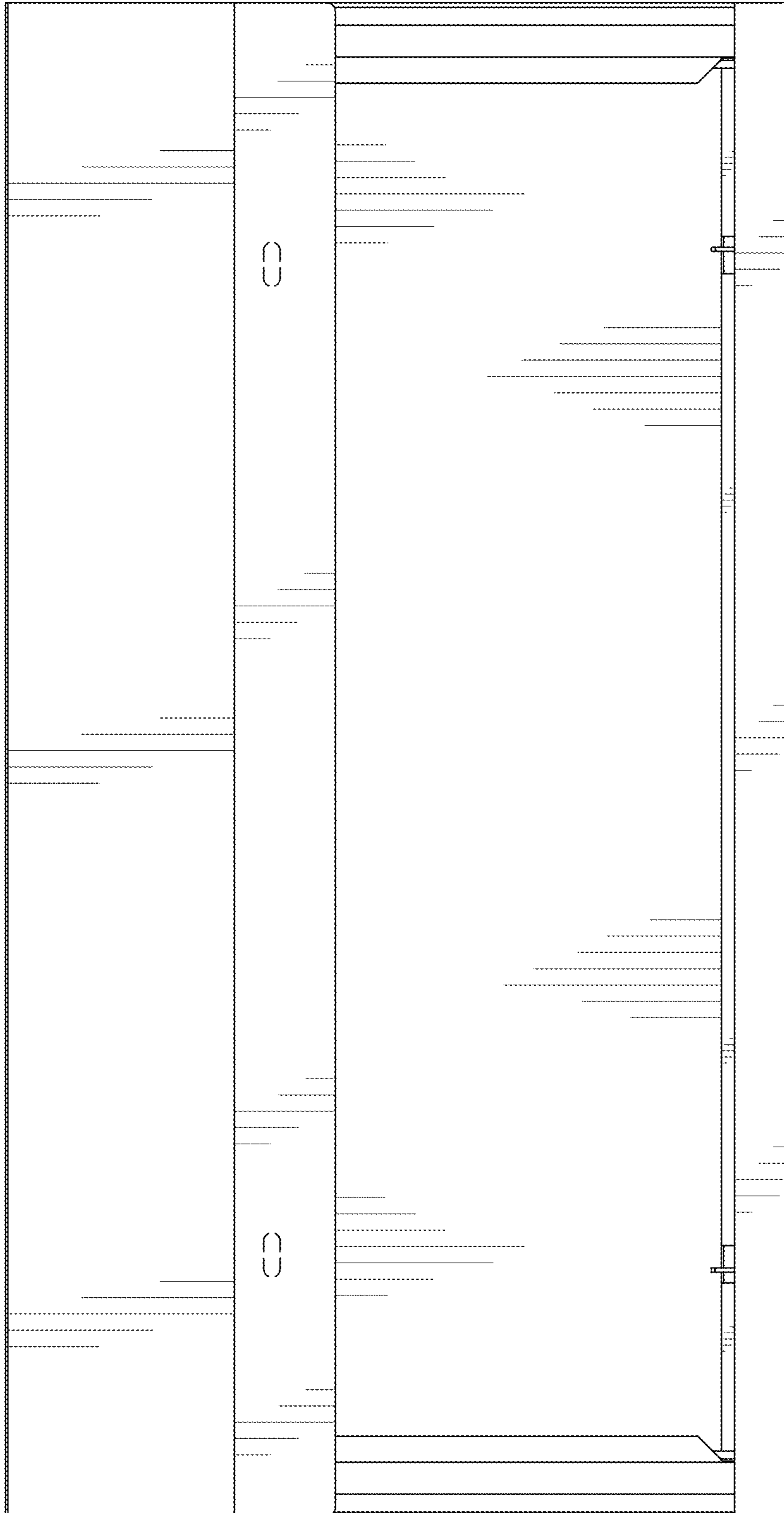


Fig-4

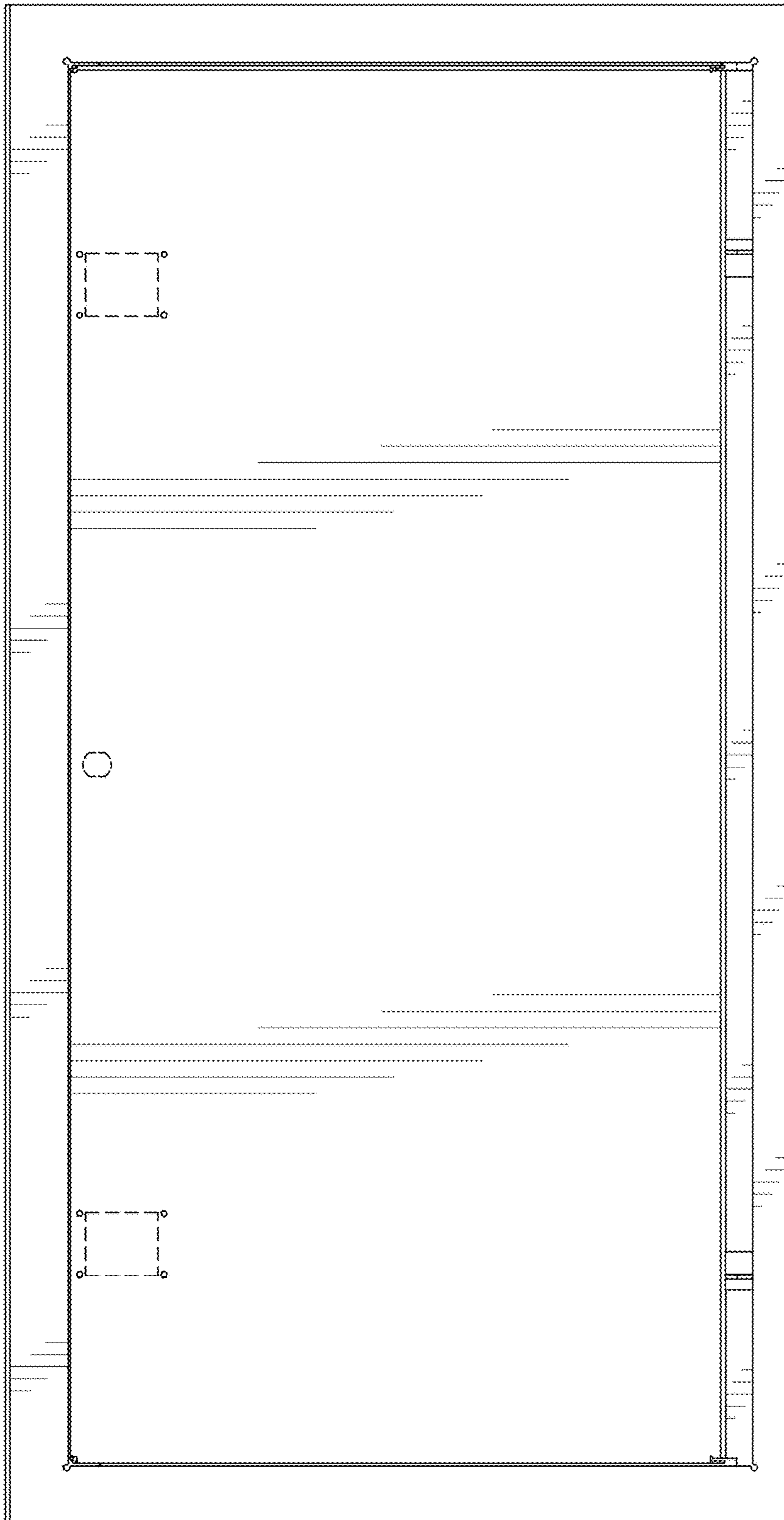


Fig-5

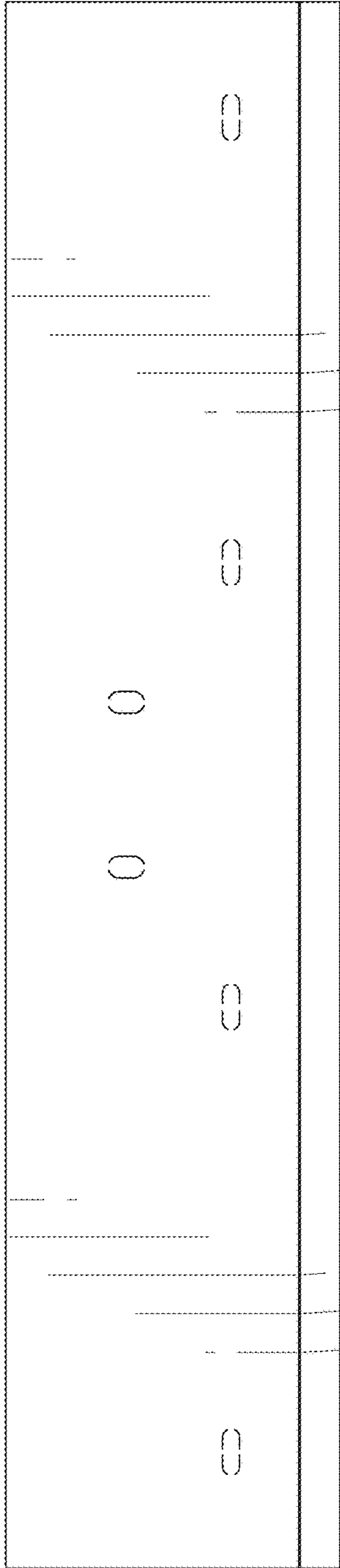


Fig-6

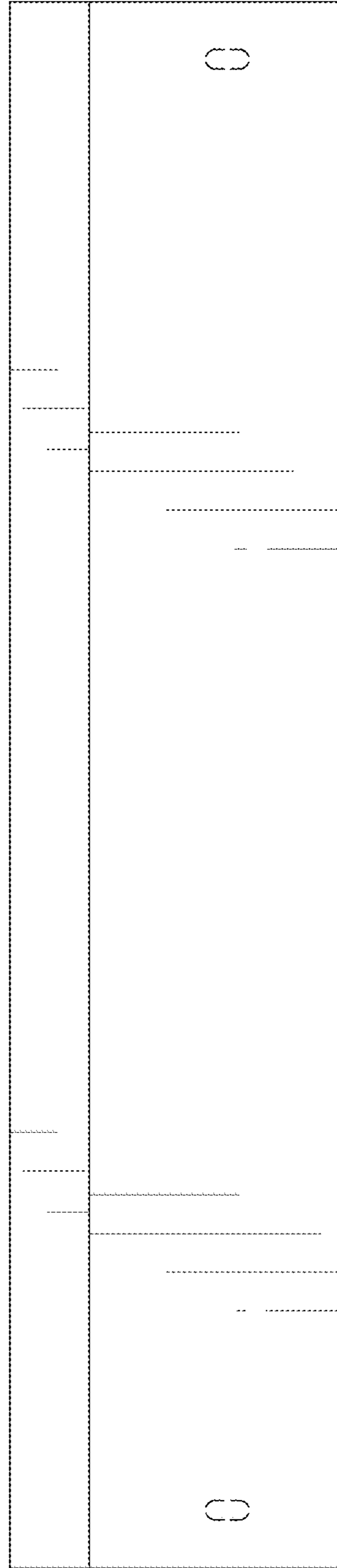


Fig-7

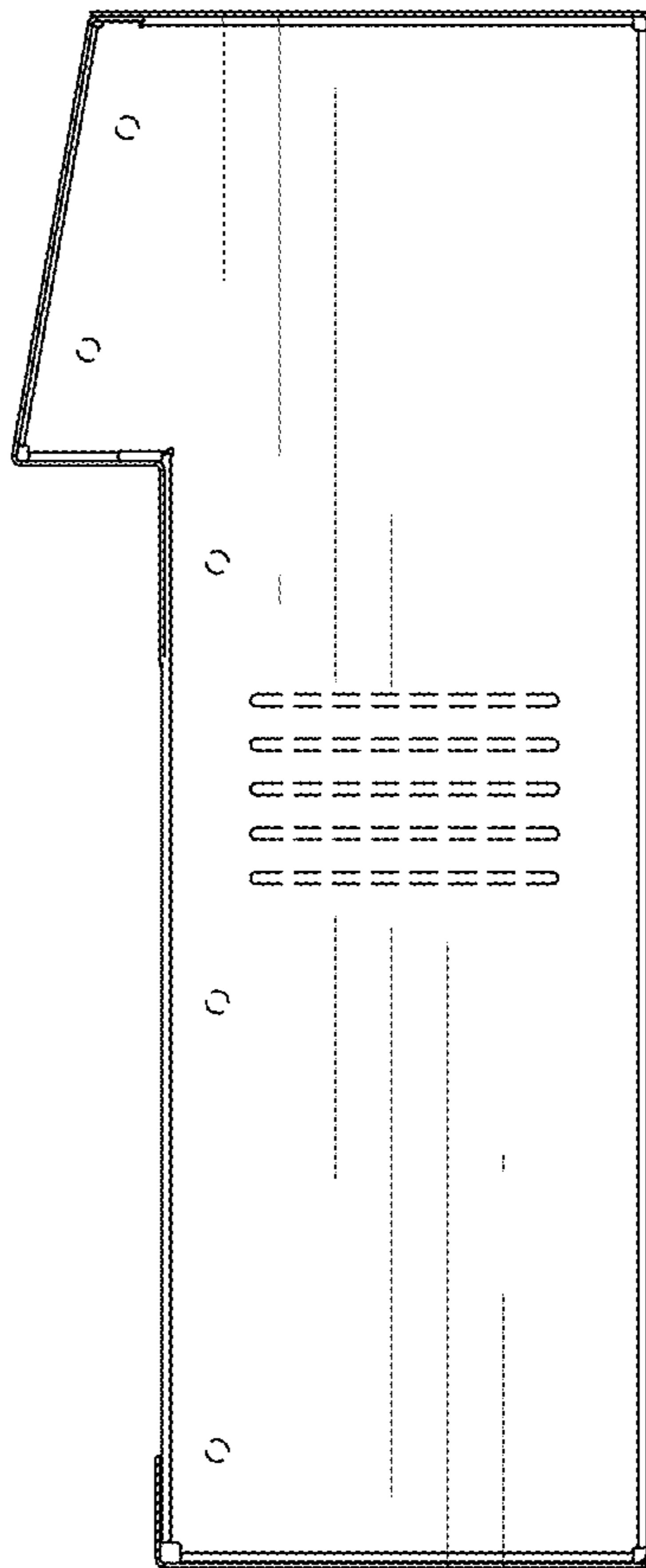


Fig-8