

US00D852114S

(12) **United States Design Patent** (10) **Patent No.:** **US D852,114 S**
Anderson et al. (45) **Date of Patent:** **** Jun. 25, 2019**

(54) **BIKE RACK**
(71) Applicant: **HORIZON GLOBAL AMERICAS INC.**, Plymouth, MI (US)
(72) Inventors: **Derek Anderson**, Newbury, OH (US); **Paul Mueller**, Solon, OH (US); **Michael D. Young**, Westerville, OH (US)

D415,097 S 10/1999 Adams
6,006,973 A 12/1999 Belinky
6,089,428 A 7/2000 Wagner
D430,533 S 9/2000 Peschmann
D458,579 S 6/2002 Adams
6,491,195 B1 12/2002 McLemore et al.
6,662,983 B2 12/2003 Lane et al.
6,695,185 B2 2/2004 Church
6,758,380 B1 7/2004 Kolda
6,854,630 B2 2/2005 Anderson

(Continued)

(73) Assignee: **HORIZON GLOBAL AMERICAS INC.**, Plymouth, MI (US)

FOREIGN PATENT DOCUMENTS

(**) Term: **15 Years**

DE 3900569 12/1990
GB 2182619 5/1987

(Continued)

(21) Appl. No.: **29/574,484**

Primary Examiner — Michelle E. Wilson

(22) Filed: **Aug. 16, 2016**

Assistant Examiner — Clese Moore, Jr.

(51) **LOC (11) Cl.** **12-11**

(74) *Attorney, Agent, or Firm* — McDonald Hopkins LLC

(52) **U.S. Cl.**
USPC **D12/407**

(57) **CLAIM**

(58) **Field of Classification Search**
USPC D12/407, 408, 406, 412, 115
CPC .. B60R 9/10; B60R 9/06; B60R 9/048; B60R 9/045

The ornamental design for a bike rack, as shown and described.

DESCRIPTION

See application file for complete search history.

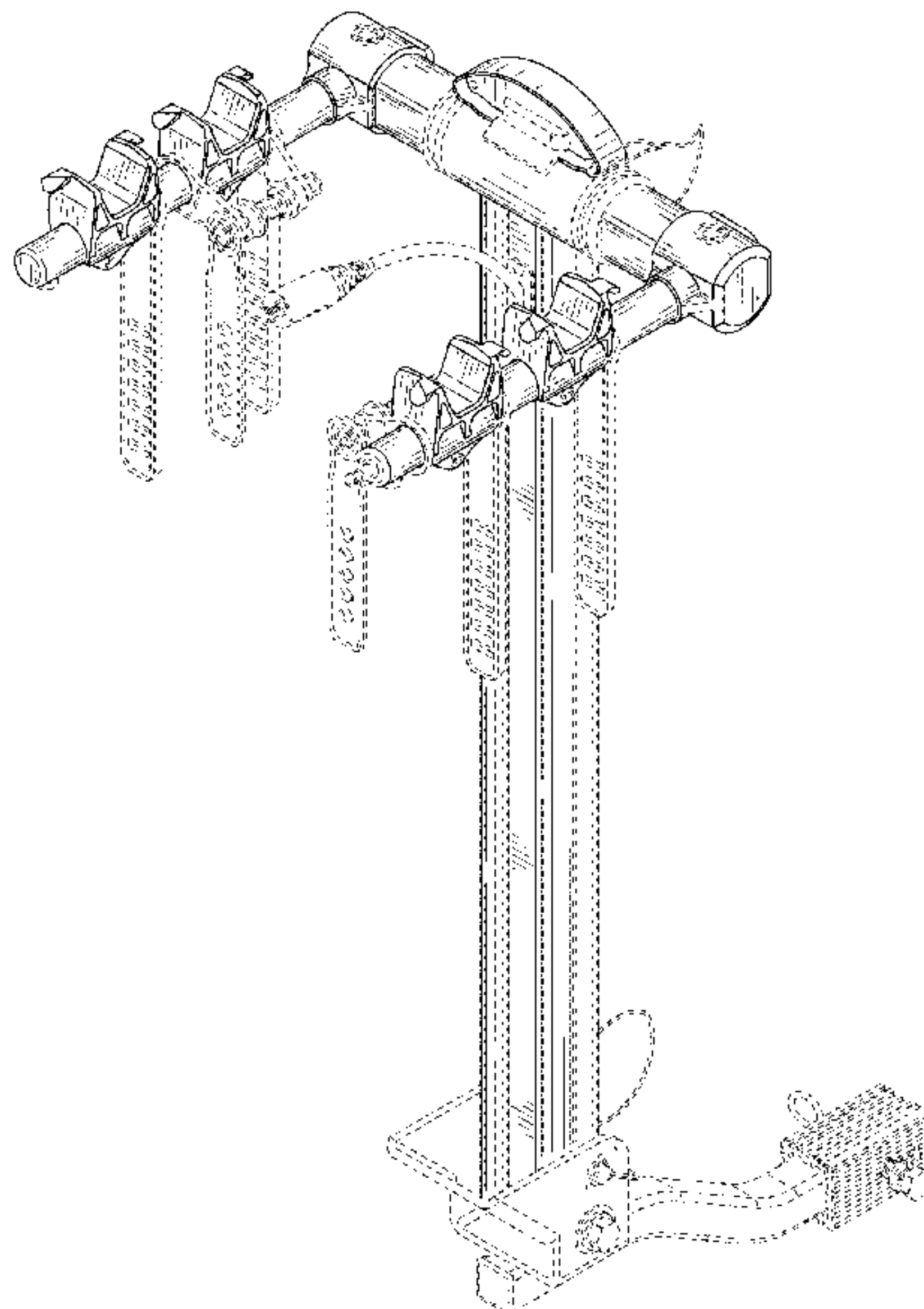
FIG. 1 is a perspective view of a bike rack showing our new design;
FIG. 2 is a front view thereof;
FIG. 3 is a rear view thereof;
FIG. 4 is a first side view thereof;
FIG. 5 is a second side view thereof;
FIG. 6 is a top view thereof;
FIG. 7 is a bottom view thereof;
FIG. 8 is a bottom perspective view thereof; and,
FIG. 9 is a cross-sectional view of a portion of the bike rack. The broken lines in the figures are included for the purpose of illustrating portions of a bike rack or its environment and form no part of the claimed design.

(56) **References Cited**

U.S. PATENT DOCUMENTS

640,736 A 1/1900 Biester
3,204,839 A 9/1965 Yuda et al.
5,067,641 A 11/1991 Johnson et al.
5,096,102 A 3/1992 Tolson
5,181,822 A 1/1993 Allsop et al.
5,228,607 A 7/1993 Tolsdorf
5,373,978 A 12/1994 Buttchen et al.
5,497,927 A 3/1996 Peterson
D369,139 S * 4/1996 Joder D12/408
5,820,004 A 10/1998 Lane
D410,891 S 6/1999 Adams
5,950,892 A 9/1999 Tsai

1 Claim, 9 Drawing Sheets



(56)

References Cited

U.S. PATENT DOCUMENTS

6,857,545 B2 2/2005 McLemore
 6,868,998 B2 3/2005 Dean
 6,951,287 B1 10/2005 Randazzo
 6,971,565 B2 12/2005 Wang
 7,000,814 B2 2/2006 Wang
 7,044,347 B1 5/2006 Pedrini
 7,290,670 B2 11/2007 Huang
 D602,420 S * 10/2009 Kuschmeader D12/408
 D608,723 S * 1/2010 Flaherty D12/408
 D612,320 S * 3/2010 Flaherty D12/408
 D614,562 S * 4/2010 Flaherty D12/408
 D614,563 S * 4/2010 Flaherty D12/408
 D614,564 S * 4/2010 Flaherty D12/408
 D623,117 S 9/2010 Farber
 D625,247 S * 10/2010 Flaherty D12/408
 7,806,307 B2 10/2010 Bergerhoff
 7,815,083 B2 10/2010 Clausen et al.
 7,832,607 B2 11/2010 Clausen
 D630,573 S * 1/2011 Pedrini D12/408
 D632,635 S * 2/2011 Farber D12/408
 D632,636 S * 2/2011 Farber D12/408
 D632,637 S * 2/2011 Farber D12/408
 D632,638 S * 2/2011 Farber D12/408
 D633,854 S * 3/2011 Farber D12/408

D633,855 S * 3/2011 Farber D12/408
 D634,259 S * 3/2011 Farber D12/408
 D634,260 S * 3/2011 Farber D12/408
 D634,697 S * 3/2011 Weaver D12/408
 D635,087 S * 3/2011 Flaherty D12/408
 D637,137 S * 5/2011 Weaver D12/408
 D656,080 S * 3/2012 Budd D12/408
 D656,456 S * 3/2012 Tinstman D12/408
 D659,631 S * 5/2012 Laverack D12/408
 D663,676 S 7/2012 Loken et al.
 D671,883 S * 12/2012 Farber D12/408
 D672,704 S 12/2012 Grago
 D684,917 S 6/2013 Williams
 D687,762 S * 8/2013 Weaver D12/408
 D707,617 S * 6/2014 Flaherty D12/407
 2004/0256430 A1 12/2004 Wang
 2008/0164292 A1 7/2008 Farney
 2009/0266773 A1 10/2009 Janeczko
 2011/0240700 A1 10/2011 Williams
 2012/0000952 A1 1/2012 Dreger et al.
 2012/0027560 A1 2/2012 Olsen

FOREIGN PATENT DOCUMENTS

GB 2235909 3/1991
 GB 2363772 1/2002

* cited by examiner

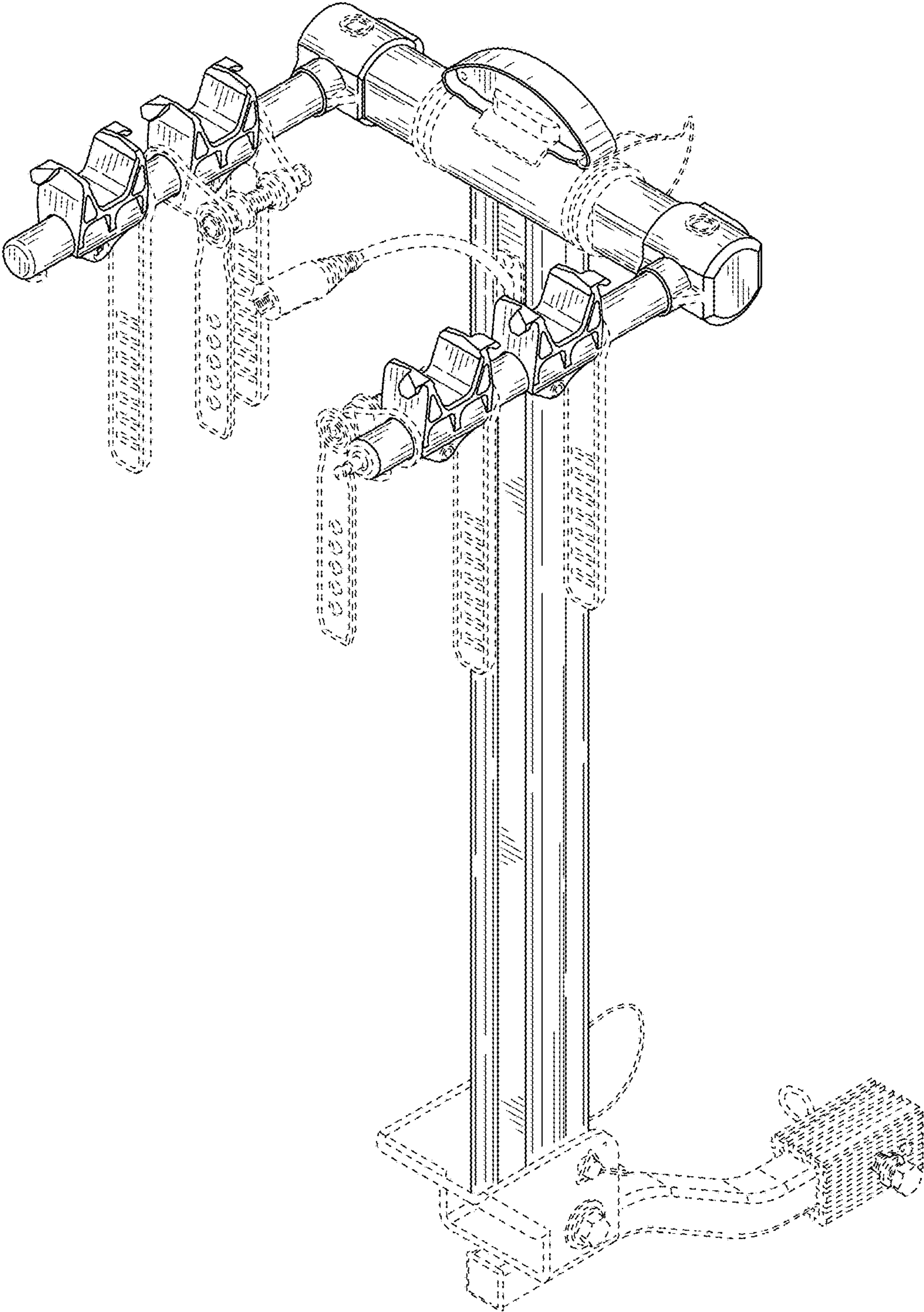


FIG. 1

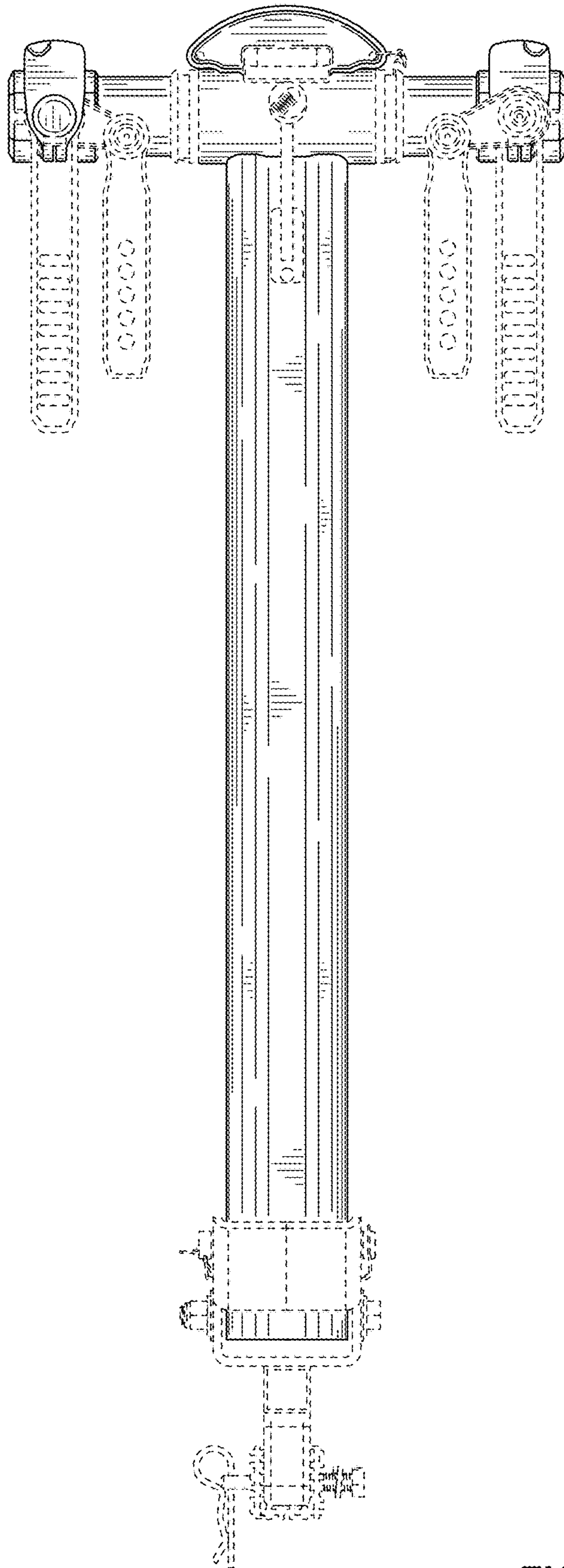


FIG. 2

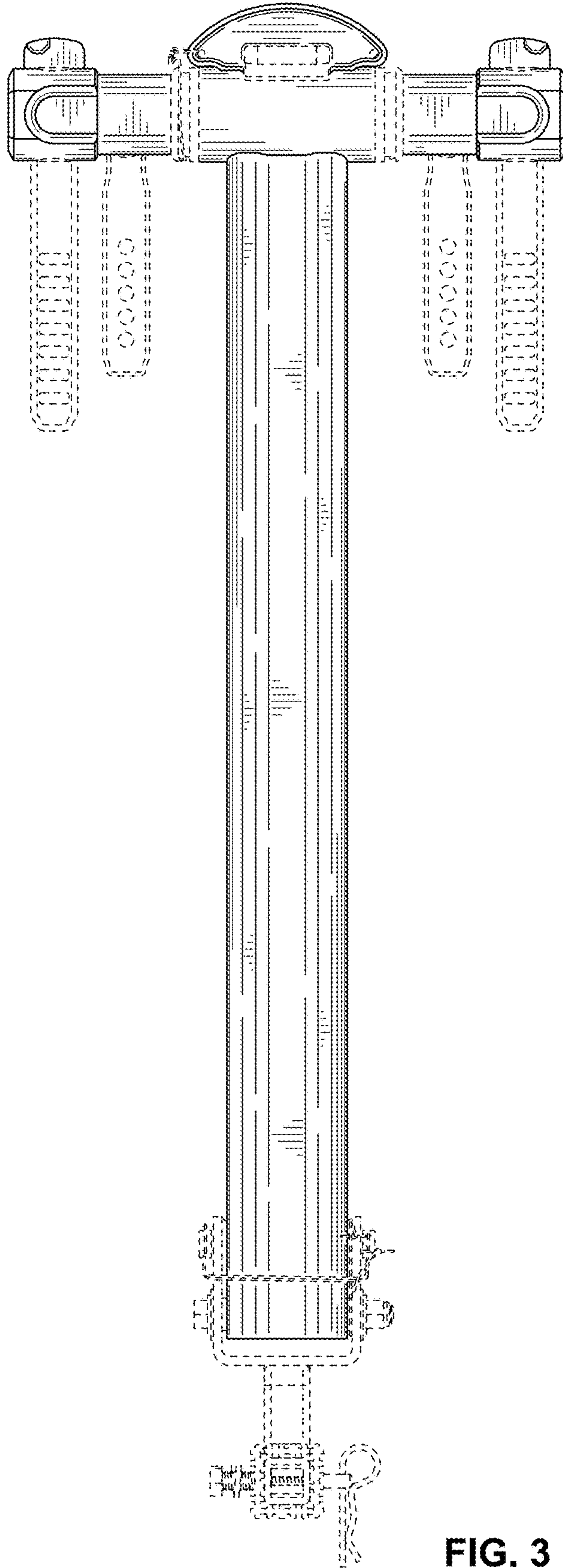


FIG. 3

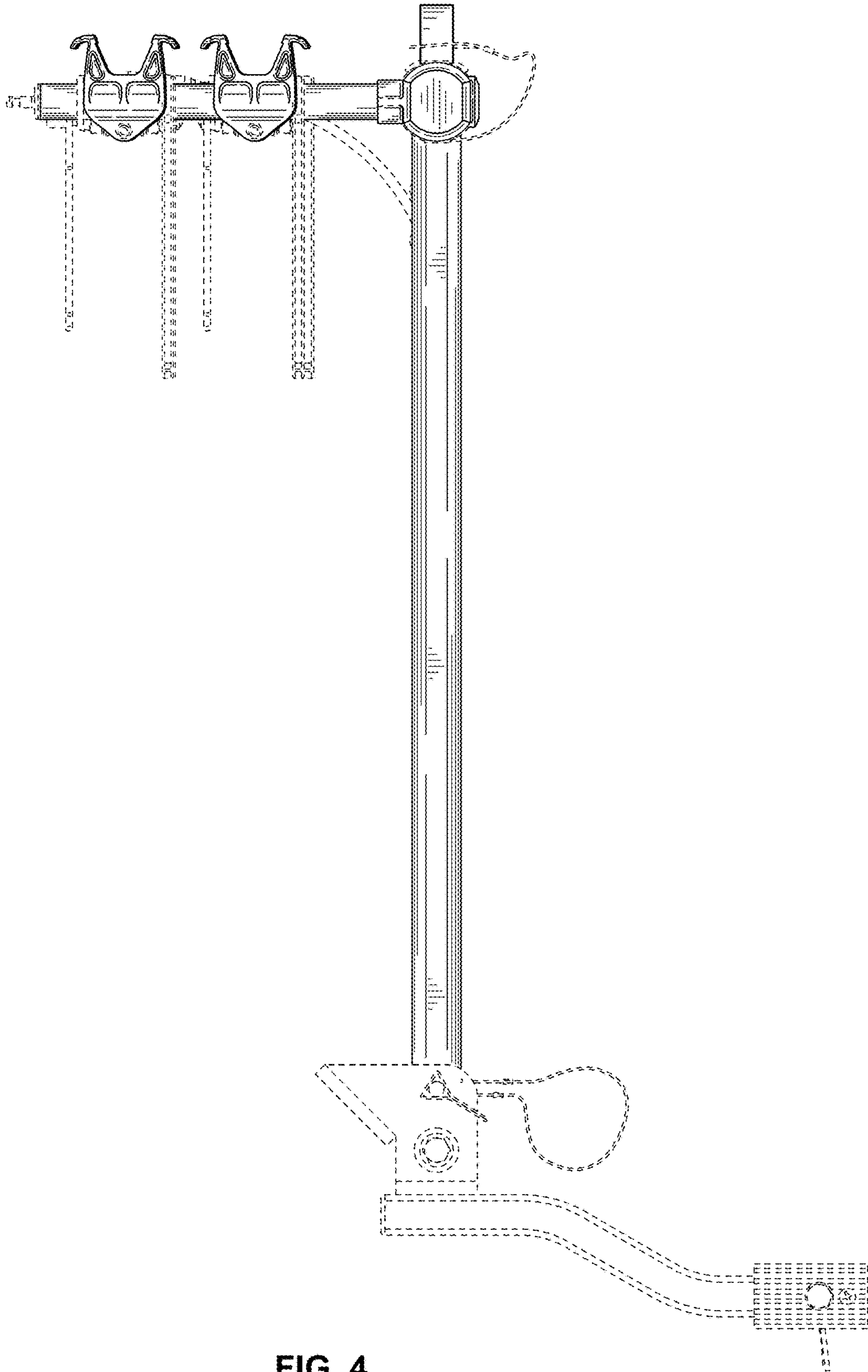


FIG. 4

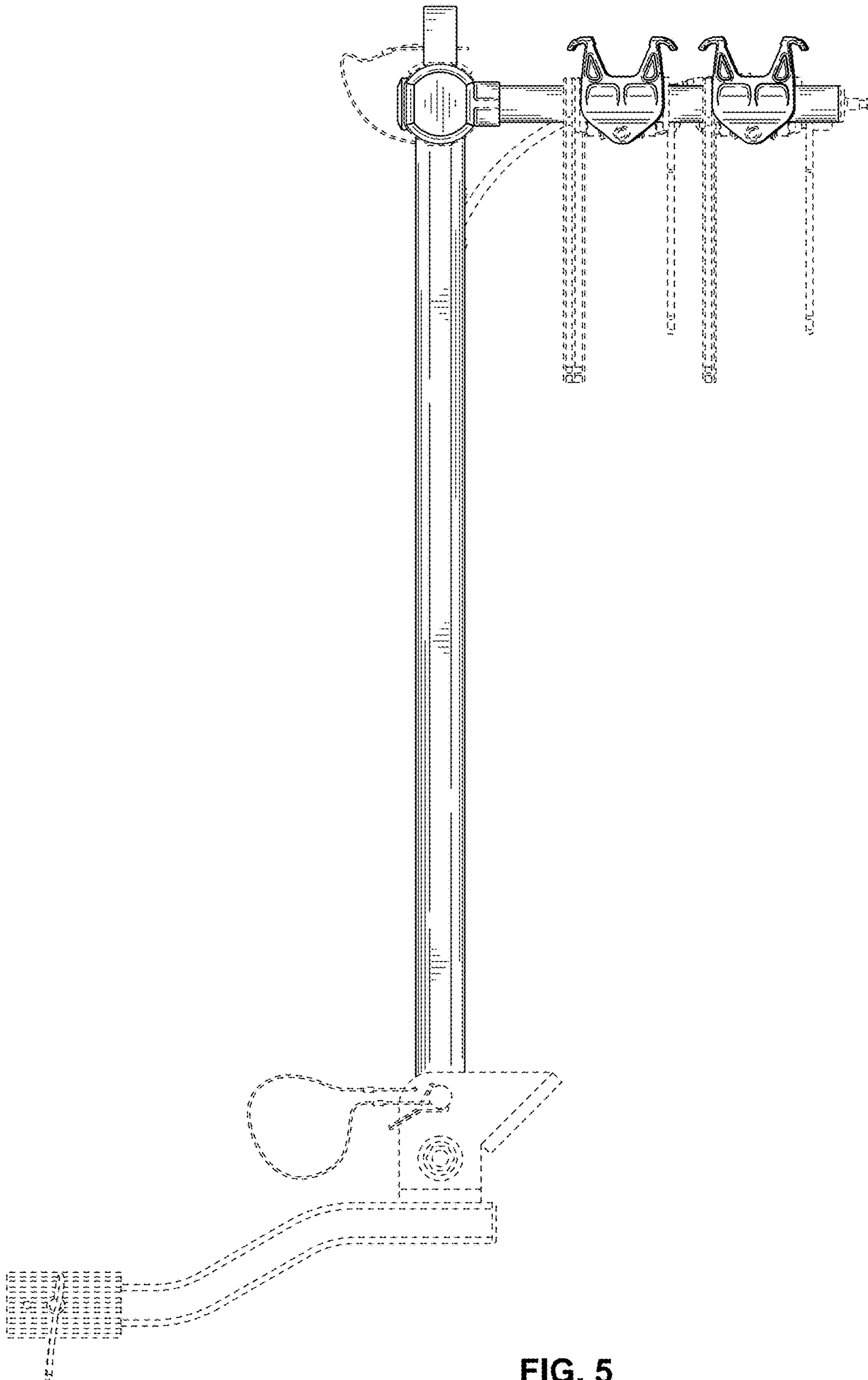


FIG. 5

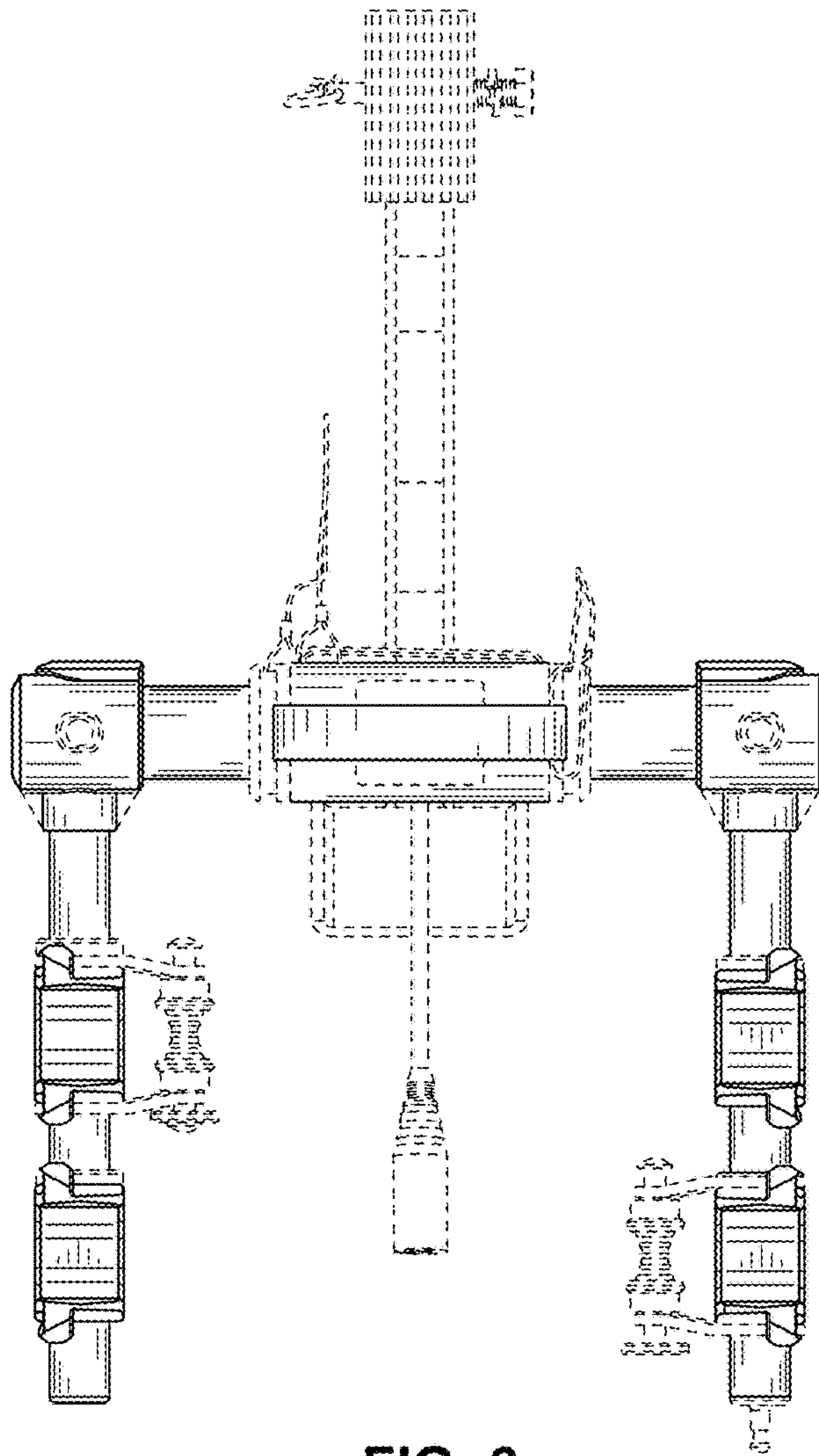


FIG. 6

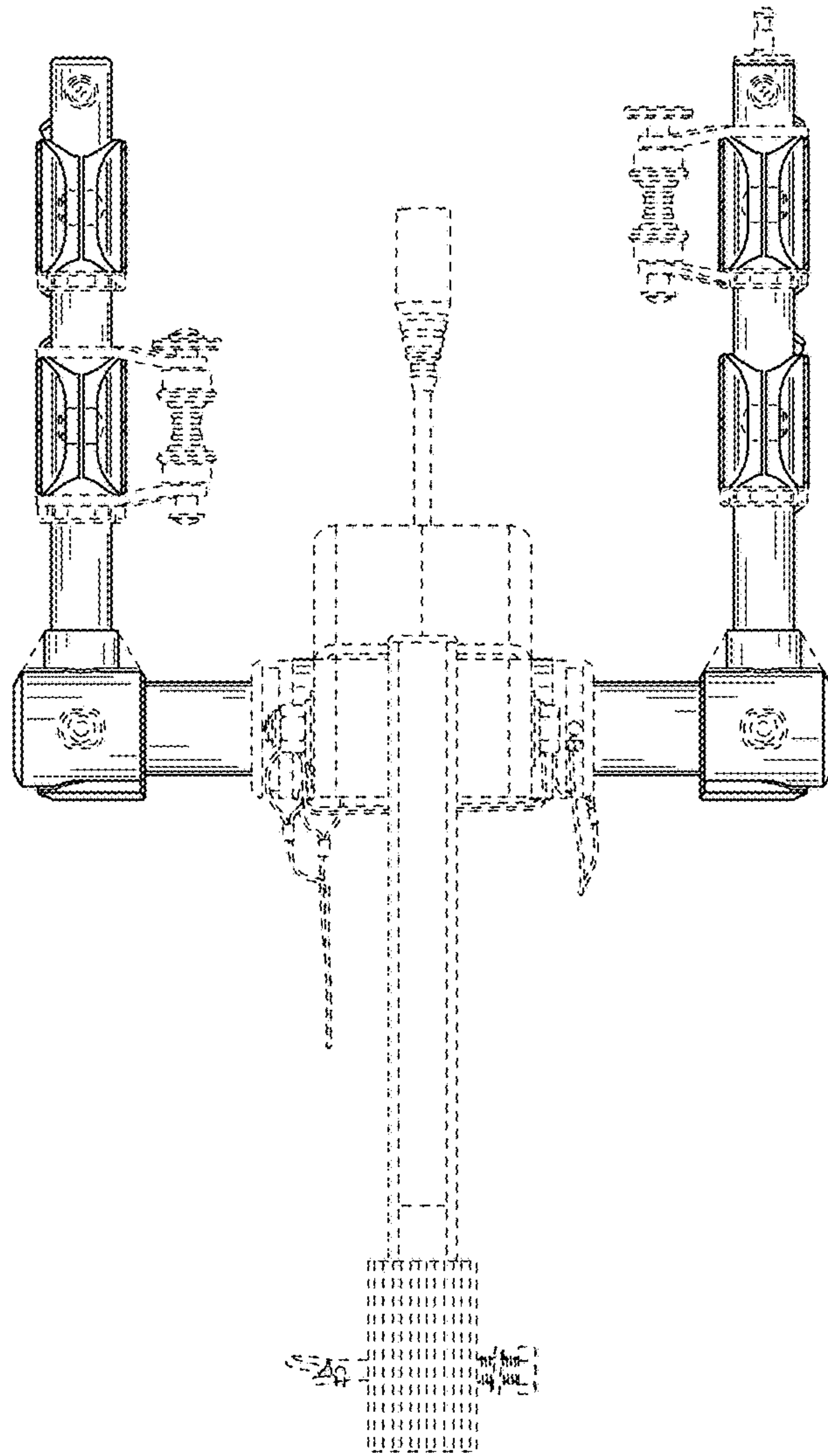


FIG. 7

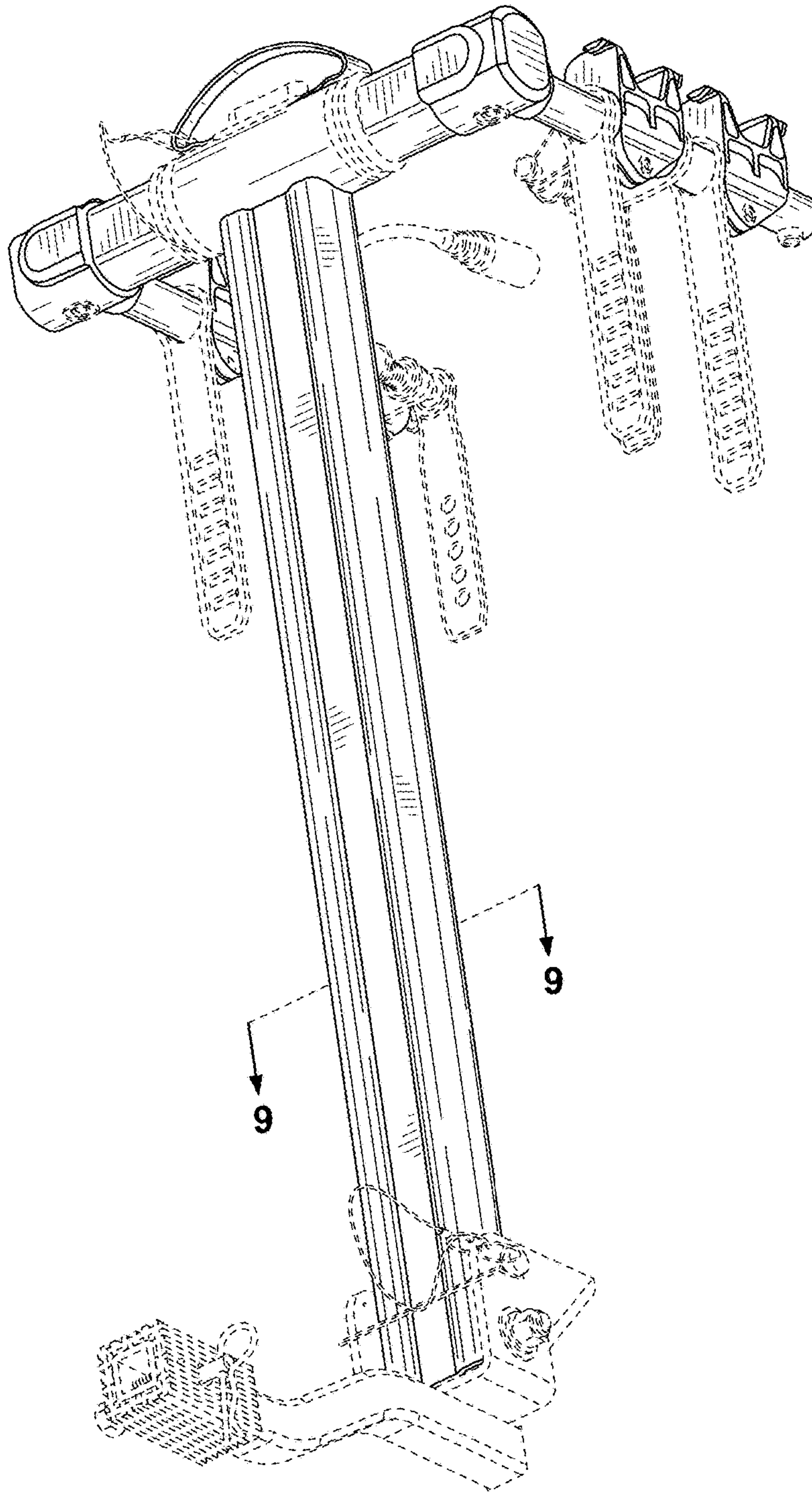


FIG. 8

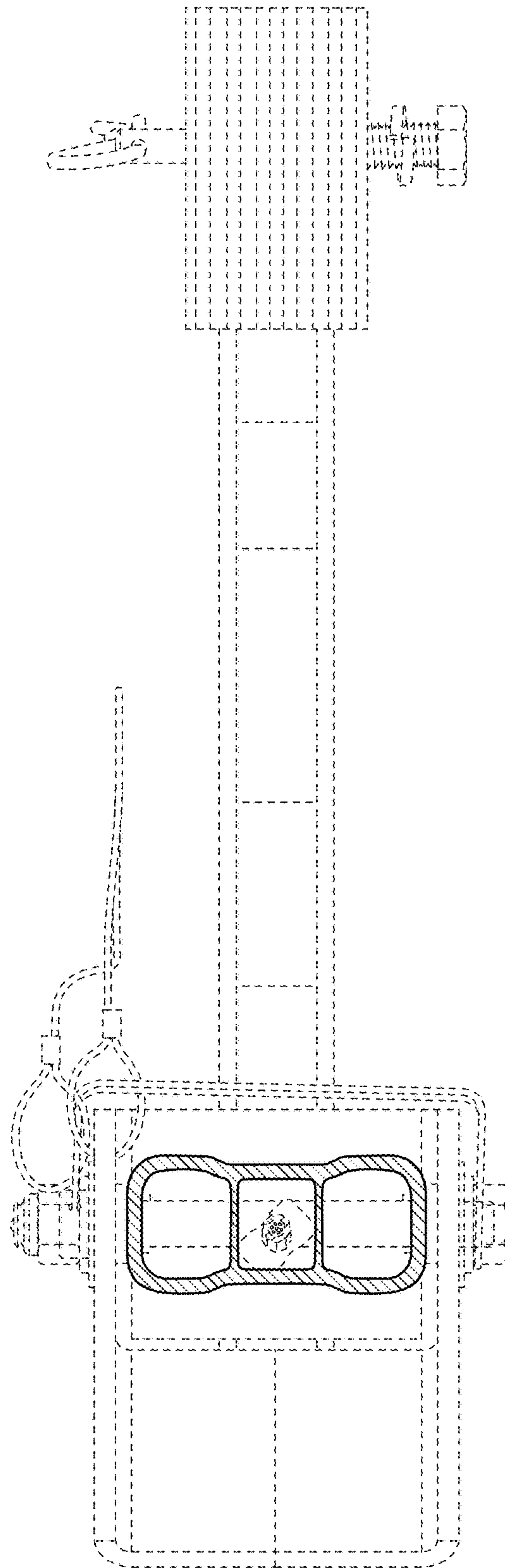


FIG. 9