



US00D852113S

(12) **United States Design Patent**  
**Williams**

(10) **Patent No.:** **US D852,113 S**  
(45) **Date of Patent:** **\*\* Jun. 25, 2019**

(54) **POP-UP CAMPER SHELL FOR PICKUP TRUCK**

(71) Applicant: **Ross Williams**, Denver, CO (US)

(72) Inventor: **Ross Williams**, Denver, CO (US)

(\*\*) Term: **15 Years**

(21) Appl. No.: **29/600,530**

(22) Filed: **Apr. 13, 2017**

(51) **LOC (11) Cl.** ..... **12-16**

(52) **U.S. Cl.**  
USPC ..... **D12/404**

(58) **Field of Classification Search**  
USPC ..... D12/401-405

(Continued)

(56) **References Cited**

**U.S. PATENT DOCUMENTS**

D310,806 S \* 9/1990 Hertzberg ..... D12/403  
D311,165 S \* 10/1990 Moore ..... D12/403

(Continued)

*Primary Examiner* — Katrina A Betton

(74) *Attorney, Agent, or Firm* — Shifrin Patent Law; Dan Shifrin

(57) **CLAIM**

The ornamental design for a pop-up camper shell for a pickup truck, as shown and described.

**DESCRIPTION**

FIG. 1 is a left side view of the pop-up camper shell of the present invention on a pickup truck, with the front of the camper shell in a closed position;

FIG. 2 is a left side view of the pop-up camper shell of the present invention on a pickup truck, with the lid of the camper shell in a raised position;

FIG. 3 is a left side view of the pop-up camper shell of the present invention on a pickup truck, with the camper shell in

a full open position with the lid in the raised position and the platform in the slid forward position;

FIG. 4 is a left side view of the pop-up camper shell of the present invention on a pickup truck, with the camper shell in the full open position, an attached camper tent being shown in broken line;

FIG. 5 is a shell right front perspective view of the camper shell of the present invention in the closed position;

FIG. 6 is a bottom right front perspective view of the camper shell of the present invention in the closed position;

FIG. 7 is a right rear perspective view of the camper shell of the present invention in the closed position;

FIG. 8 is a bottom left rear perspective view of the camper shell of the present invention in the closed position;

FIG. 9 is a bottom right rear perspective view of the camper shell of the present invention in the closed position;

FIG. 10 is a front view of the camper shell of the present invention in the closed position;

FIG. 11 is a right side view of the camper shell of the present invention in the closed position;

FIG. 12 is a left side view of the camper shell of the present invention in the closed position;

FIG. 13 is a rear view of the camper shell of the present invention in the closed position;

FIG. 14 is a top view of the camper shell of the present invention in the closed position;

FIG. 15 is a bottom view of the camper shell of the present invention in the closed position;

FIG. 16 is a right front perspective view of the camper shell of the present invention with lid in the raised position;

FIG. 17 is a right rear perspective view of the camper shell of the present invention with lid in the raised position;

FIG. 18 is a bottom right rear perspective view of the camper shell of the present invention with lid in the raised position;

FIG. 19 is a right side view of the camper shell of the present invention with lid in the raised position;

FIG. 20 is a left side view of the camper shell of the present invention with lid in the raised position;

FIG. 21 is a top view of the camper shell of the present invention with lid in the raised position;

(Continued)

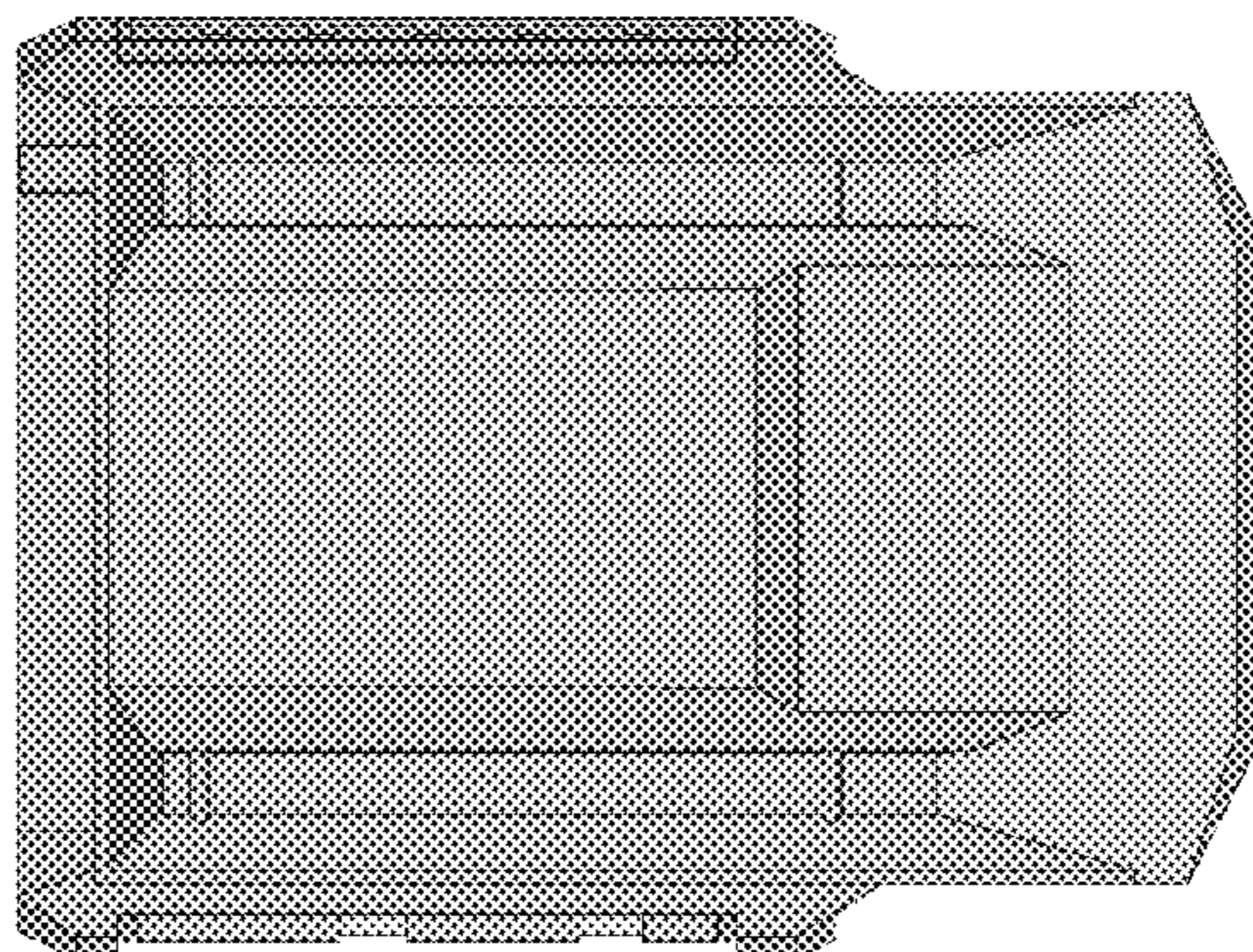


FIG. 22 is a bottom view of the camper shell of the present invention with lid in the raised position;  
FIG. 23 is a right front perspective view of the camper shell of the present invention in the full open position with the lid in the raised position and the platform in the slid forward position;  
FIG. 24 is a right rear perspective view of the camper shell of the present invention in the full open position;  
FIG. 25 is a right side view of the camper shell of the present invention in the full open position;  
FIG. 26 is a left side view of the camper shell of the present invention in the full open position; and  
FIG. 27 is a front view of the camper shell of the present invention in the full open position;  
FIG. 28 is a rear view of the camper shell of the present invention in the full open position; and,  
FIG. 29 is a left side view of the camper shell of the present invention in the full open position, with the tent shown in broken line.  
The broken lines shown represent unclaimed subject matter and form no part of the claimed design.

**1 Claim, 16 Drawing Sheets**

(58) **Field of Classification Search**

CPC ..... A47D 15/00; A47C 7/66; A47C 31/00;  
A47G 9/068

See application file for complete search history.

(56) **References Cited**

U.S. PATENT DOCUMENTS

D318,446	S	*	7/1991	Magyar	.....	D12/403
D327,463	S	*	6/1992	Williams	.....	D12/403
D333,289	S	*	2/1993	Shirlin	.....	D12/403
D388,049	S	*	12/1997	Reardon	.....	D12/403
D775,056	S	*	12/2016	Wheel	.....	D12/404
D785,542	S	*	5/2017	Patel	.....	D12/404
D812,545	S	*	3/2018	Donohoe	.....	D12/404
D813,783	S	*	3/2018	Dowdey	.....	D12/404

\* cited by examiner

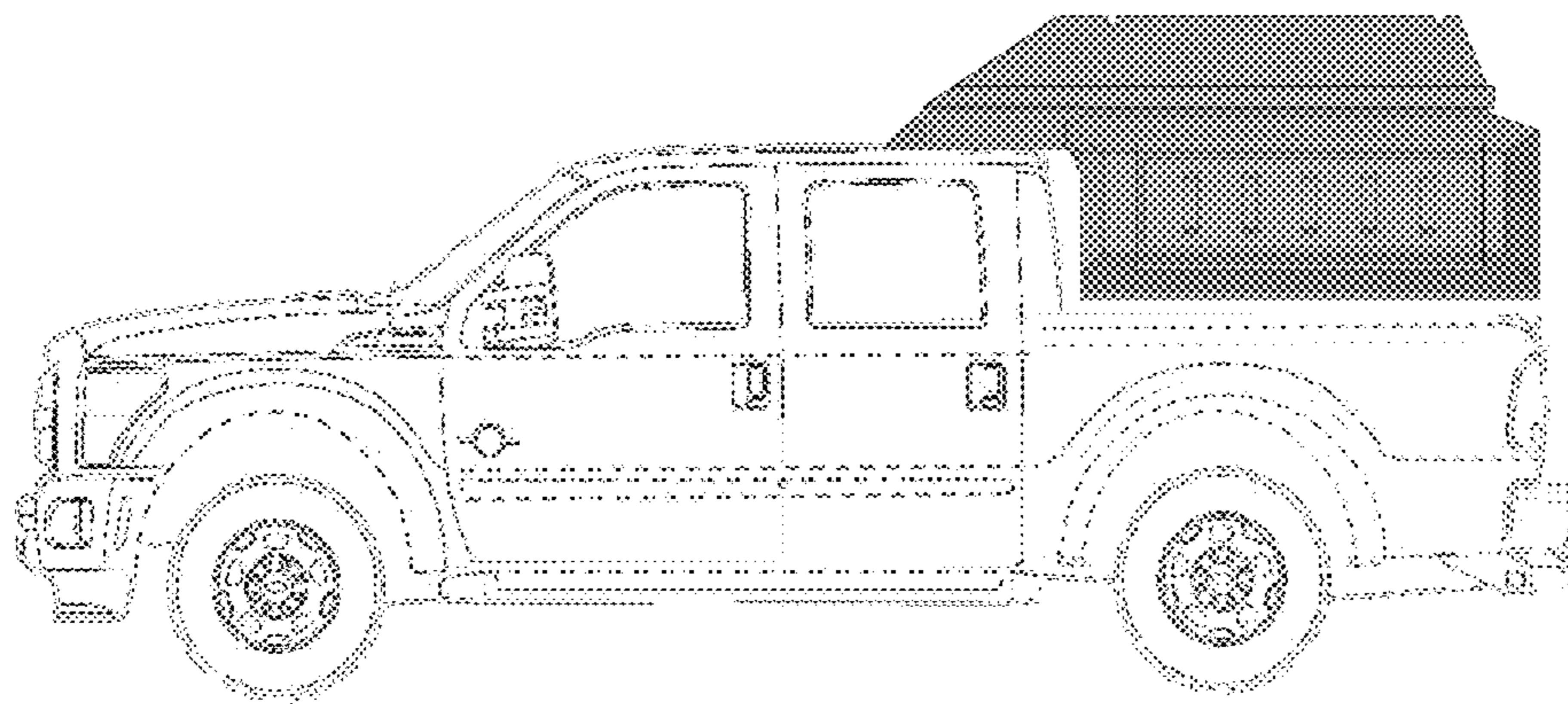


FIG. 1

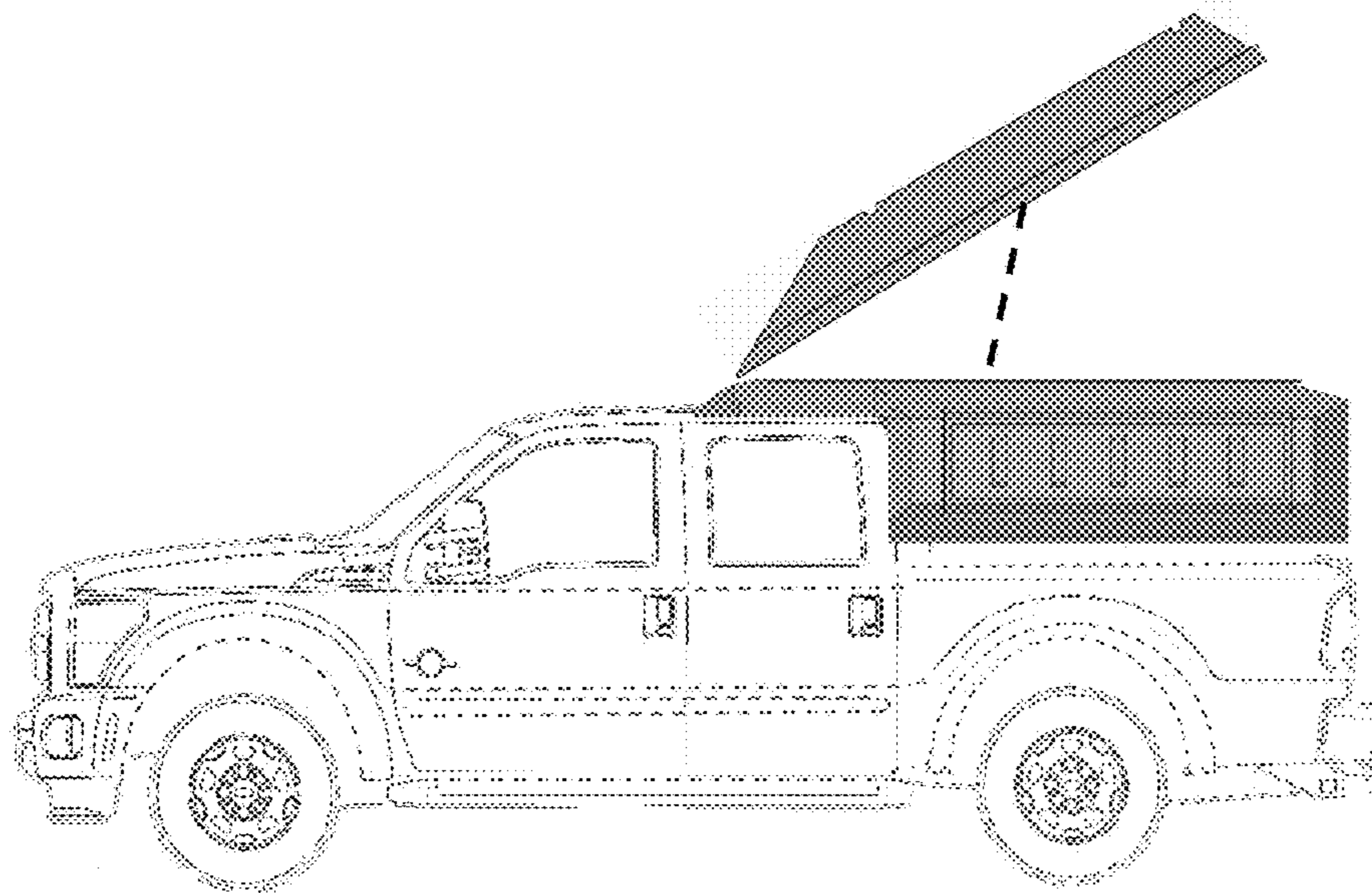


FIG. 2

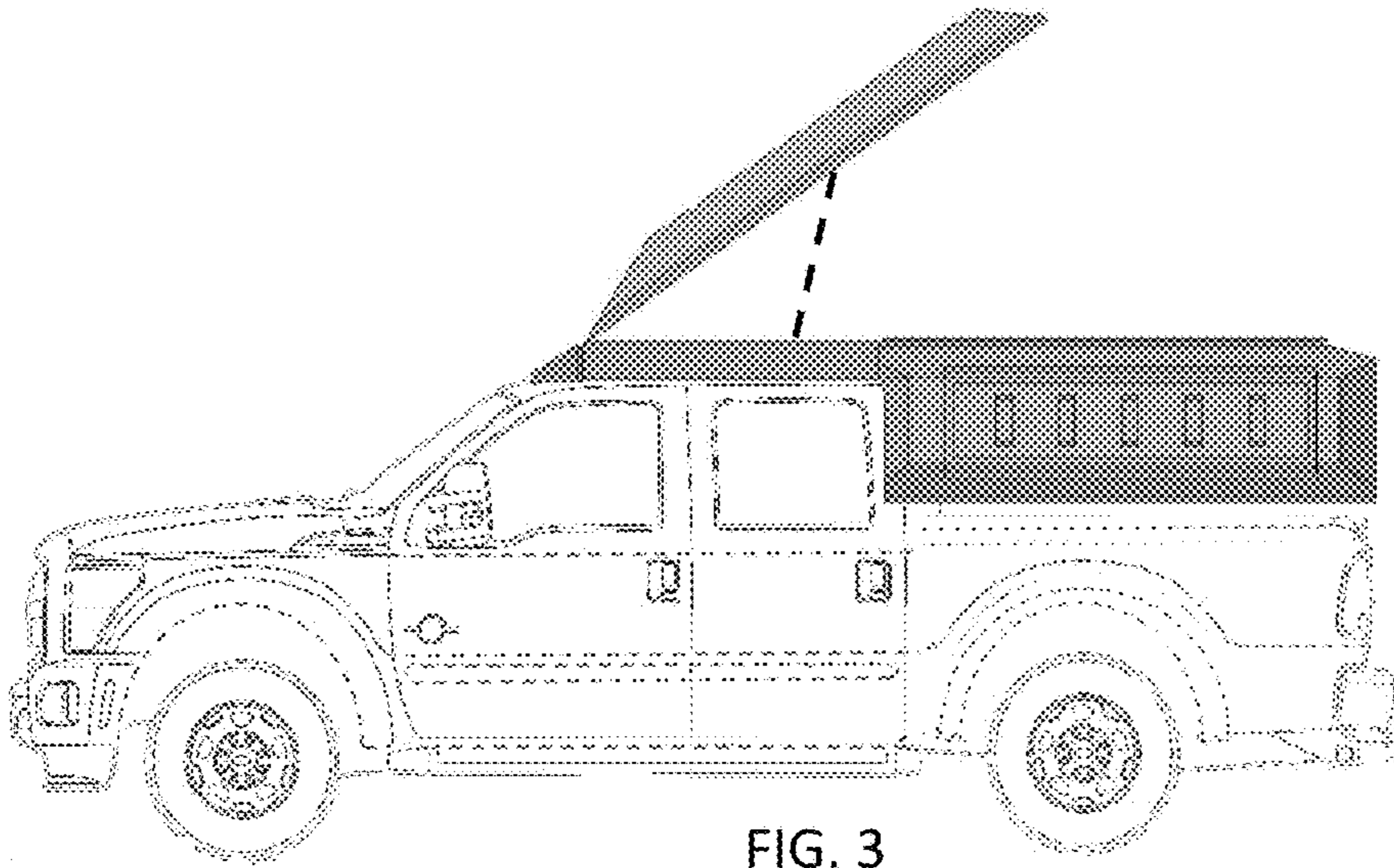


FIG. 3

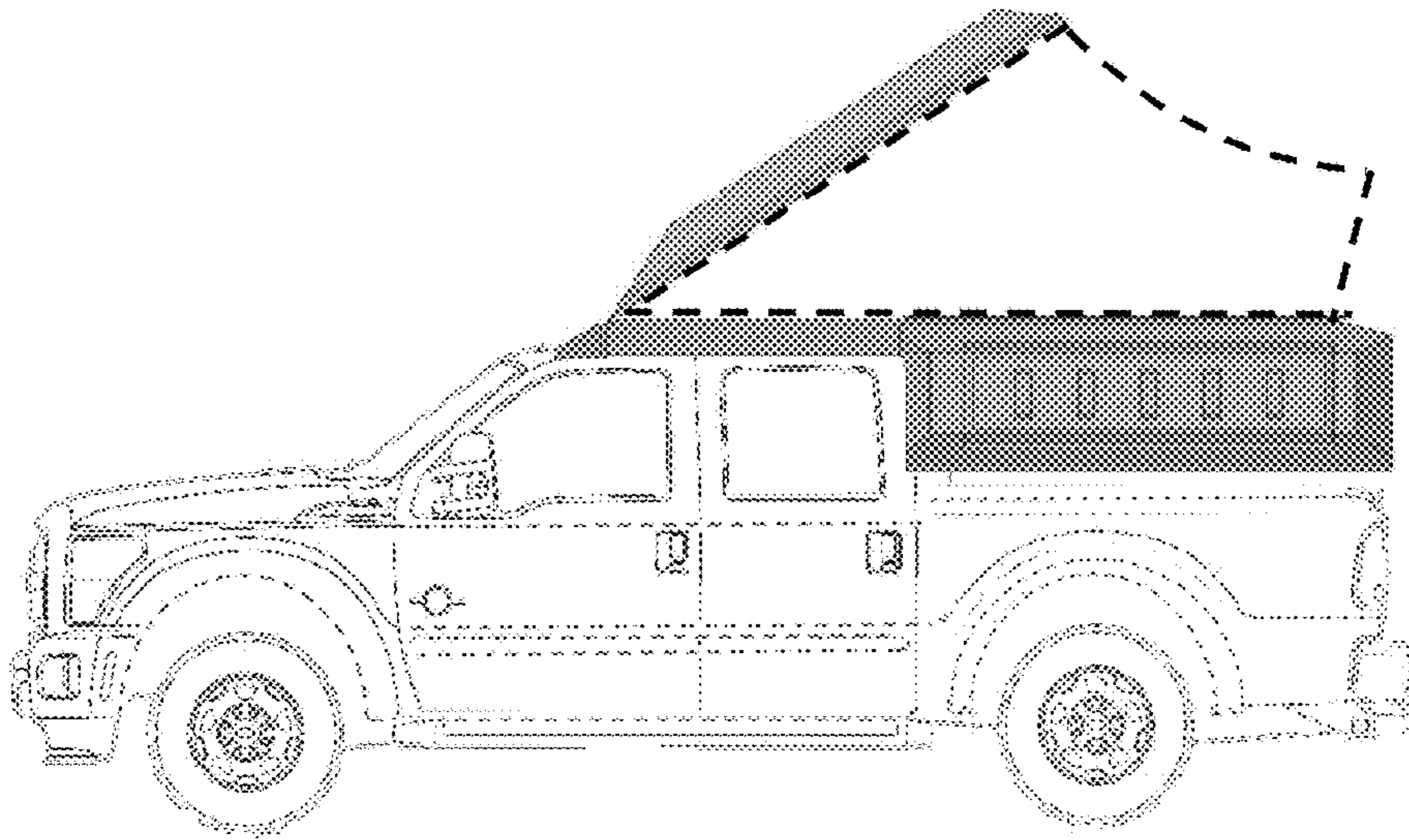


FIG. 4

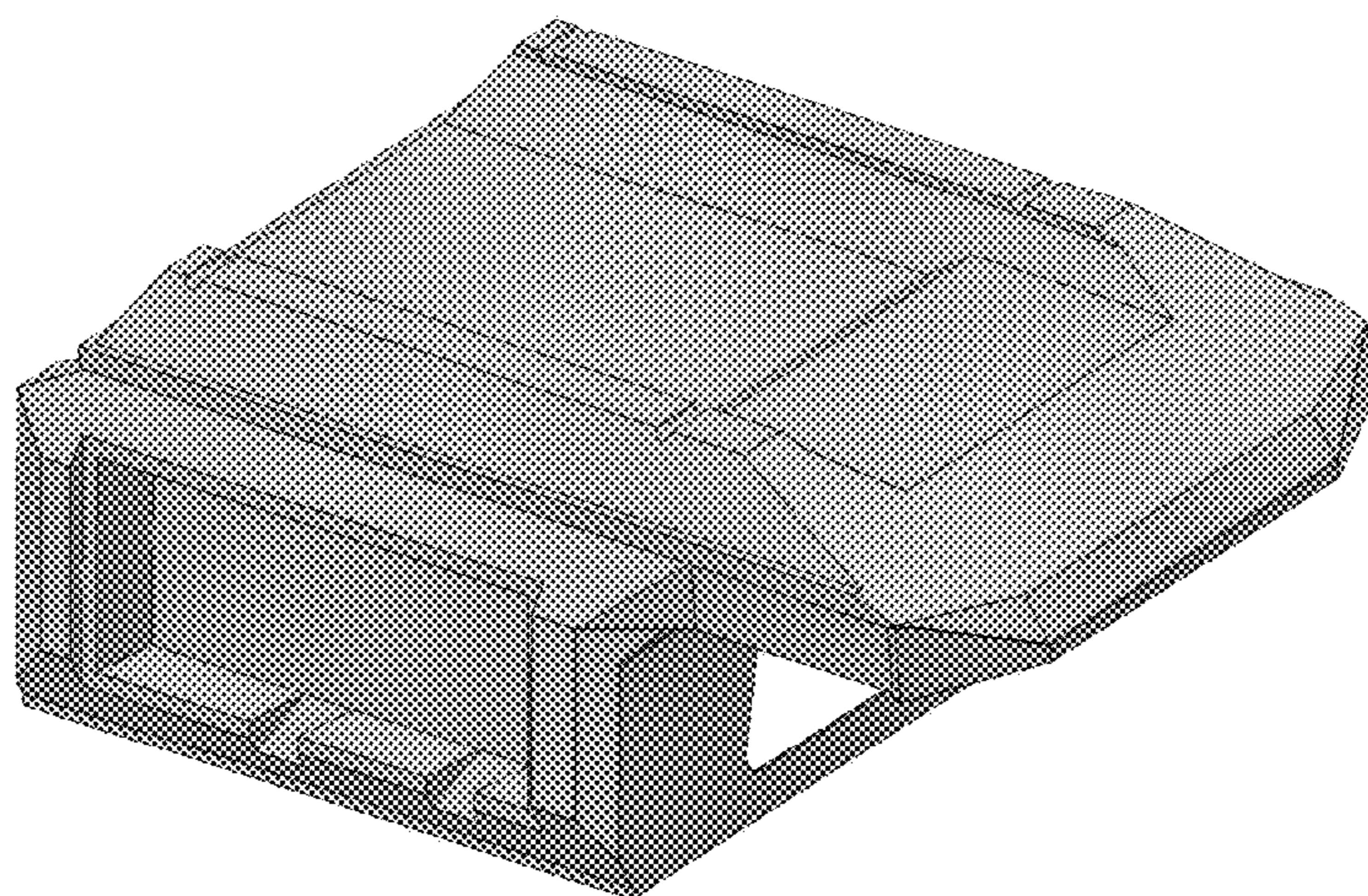


FIG. 5

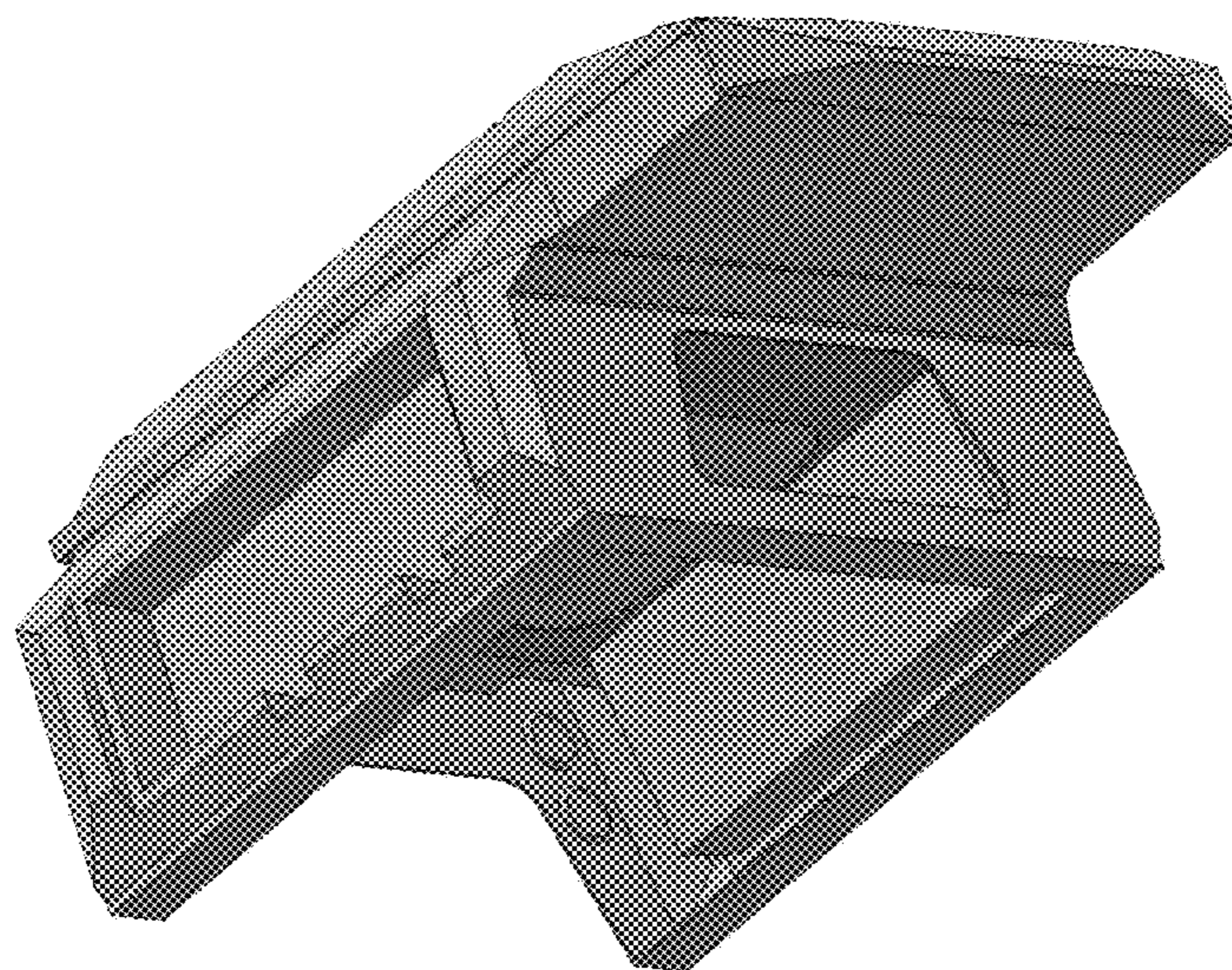


FIG. 6

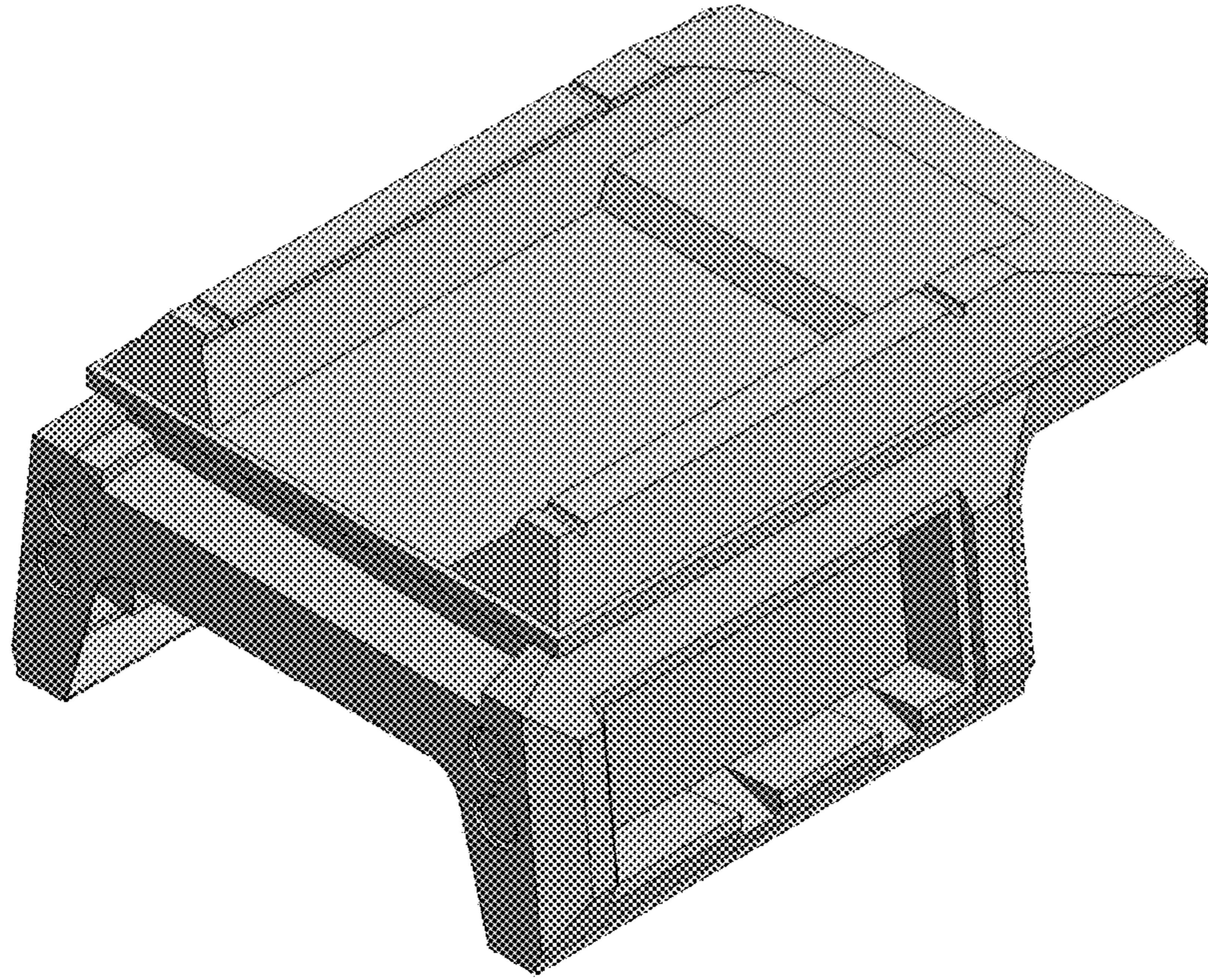


FIG. 7

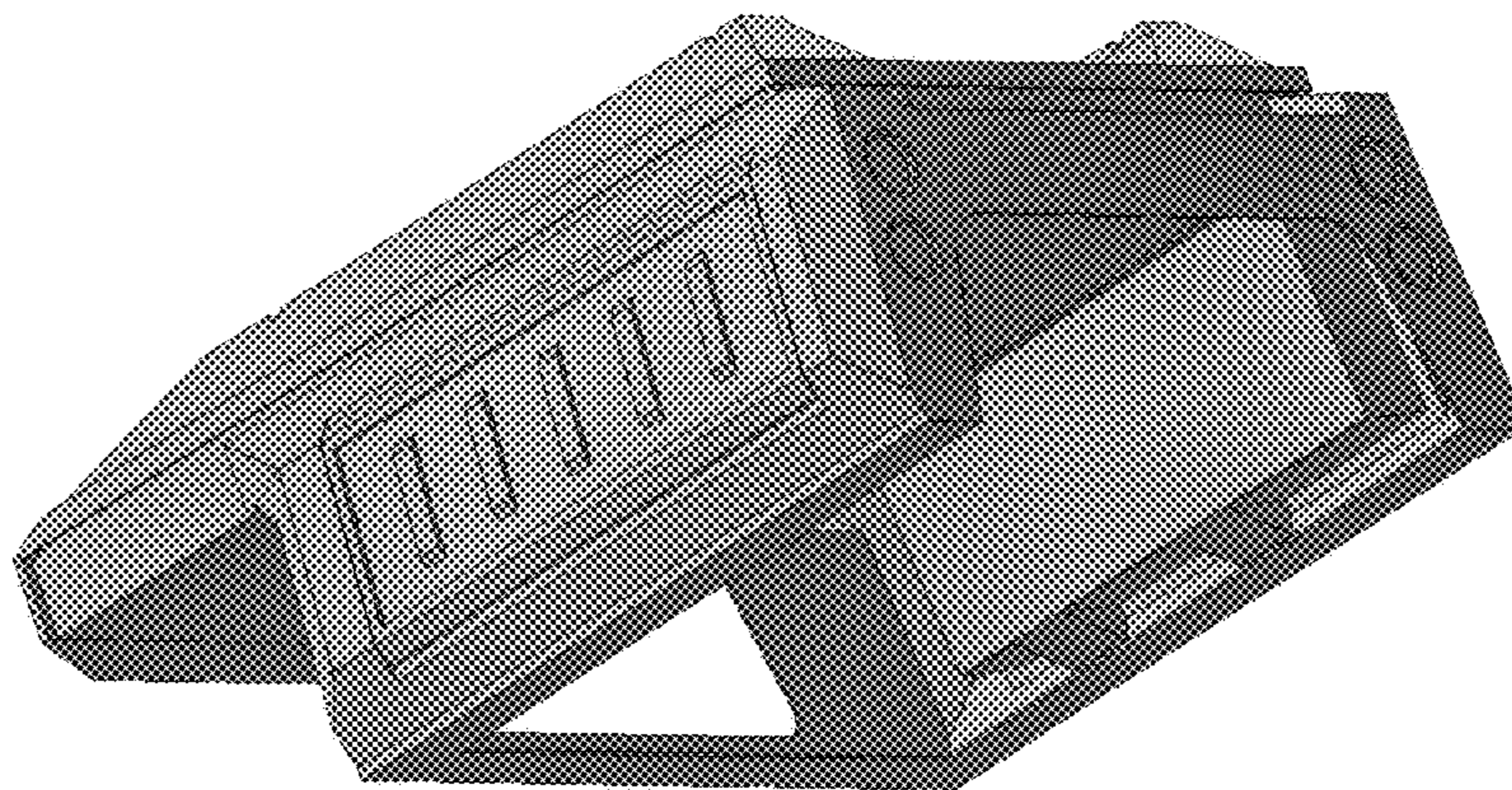


FIG. 8

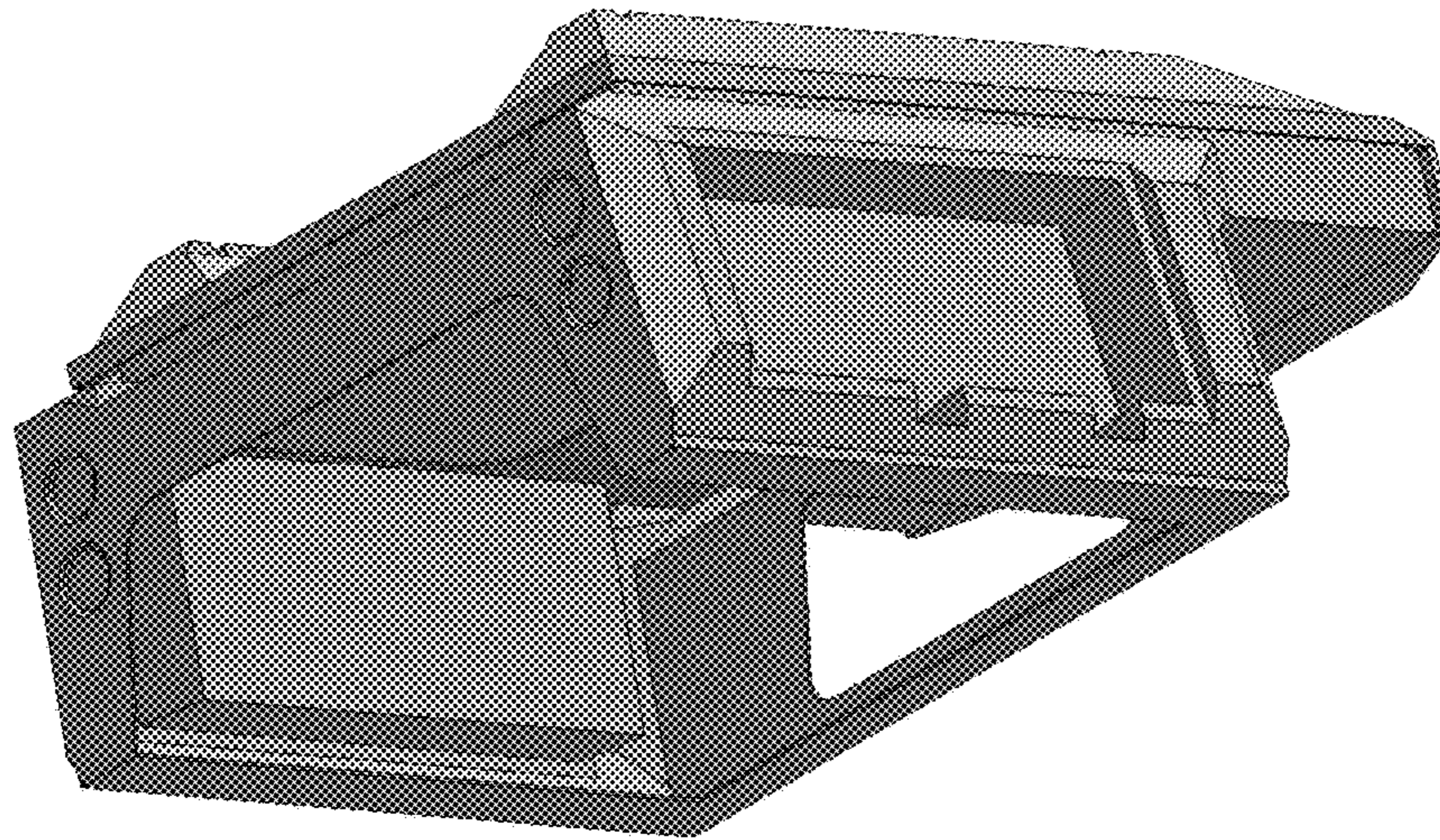


FIG. 9

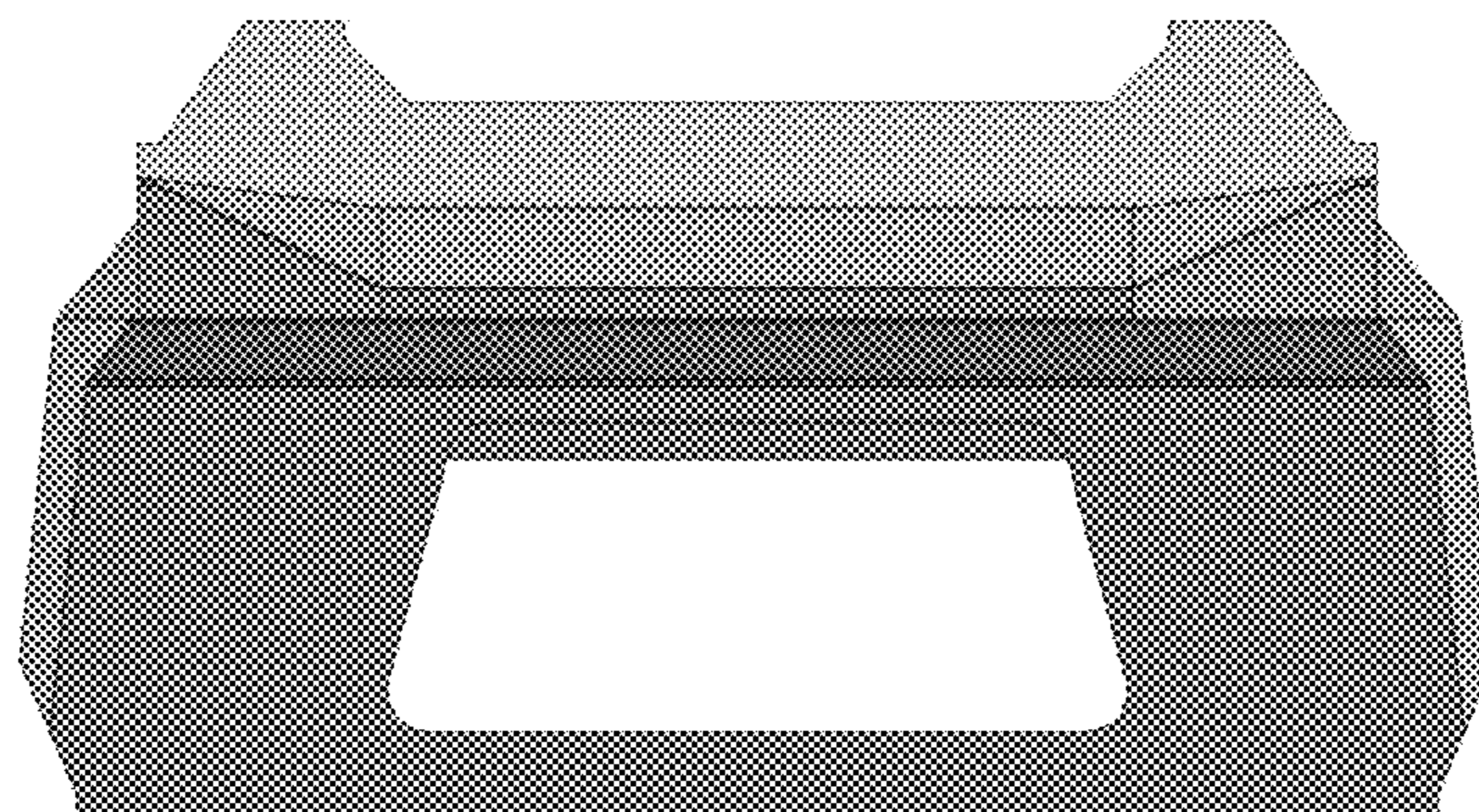


FIG. 10

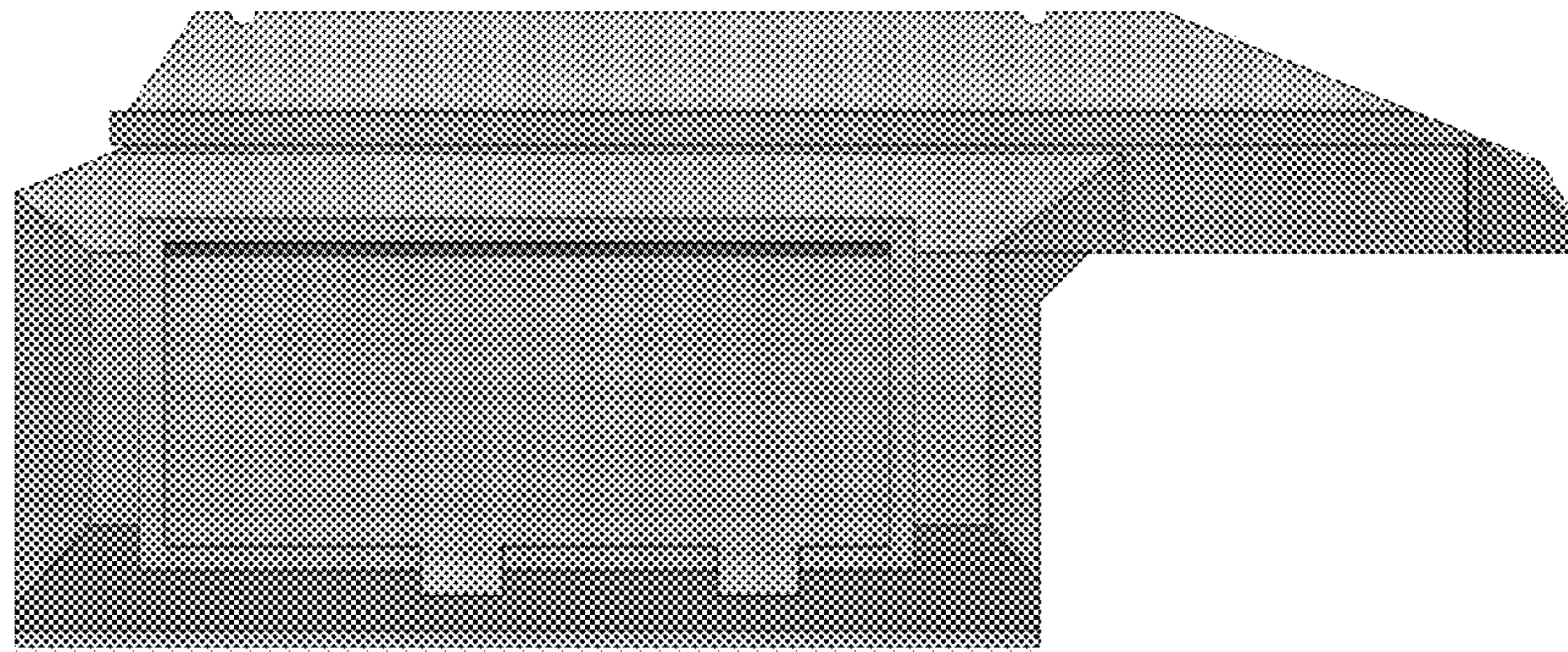


FIG. 11

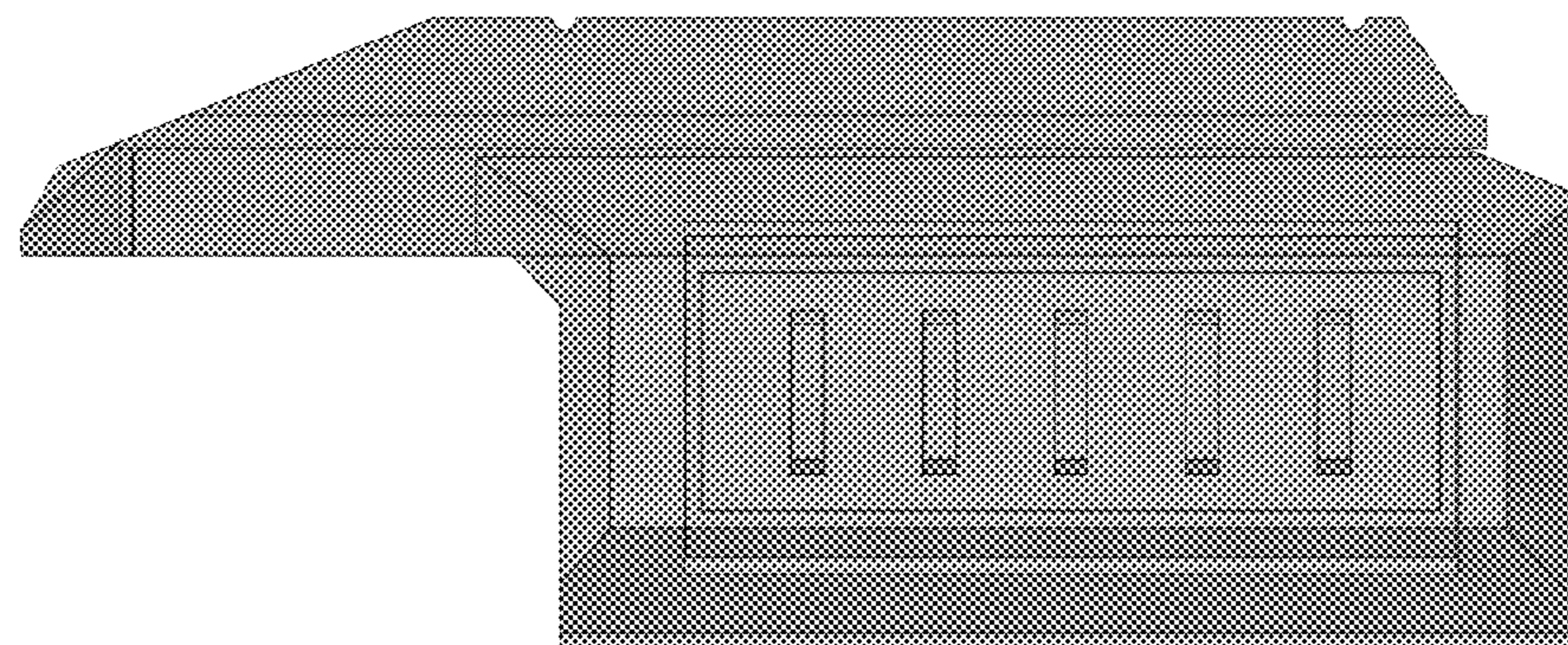


FIG. 12



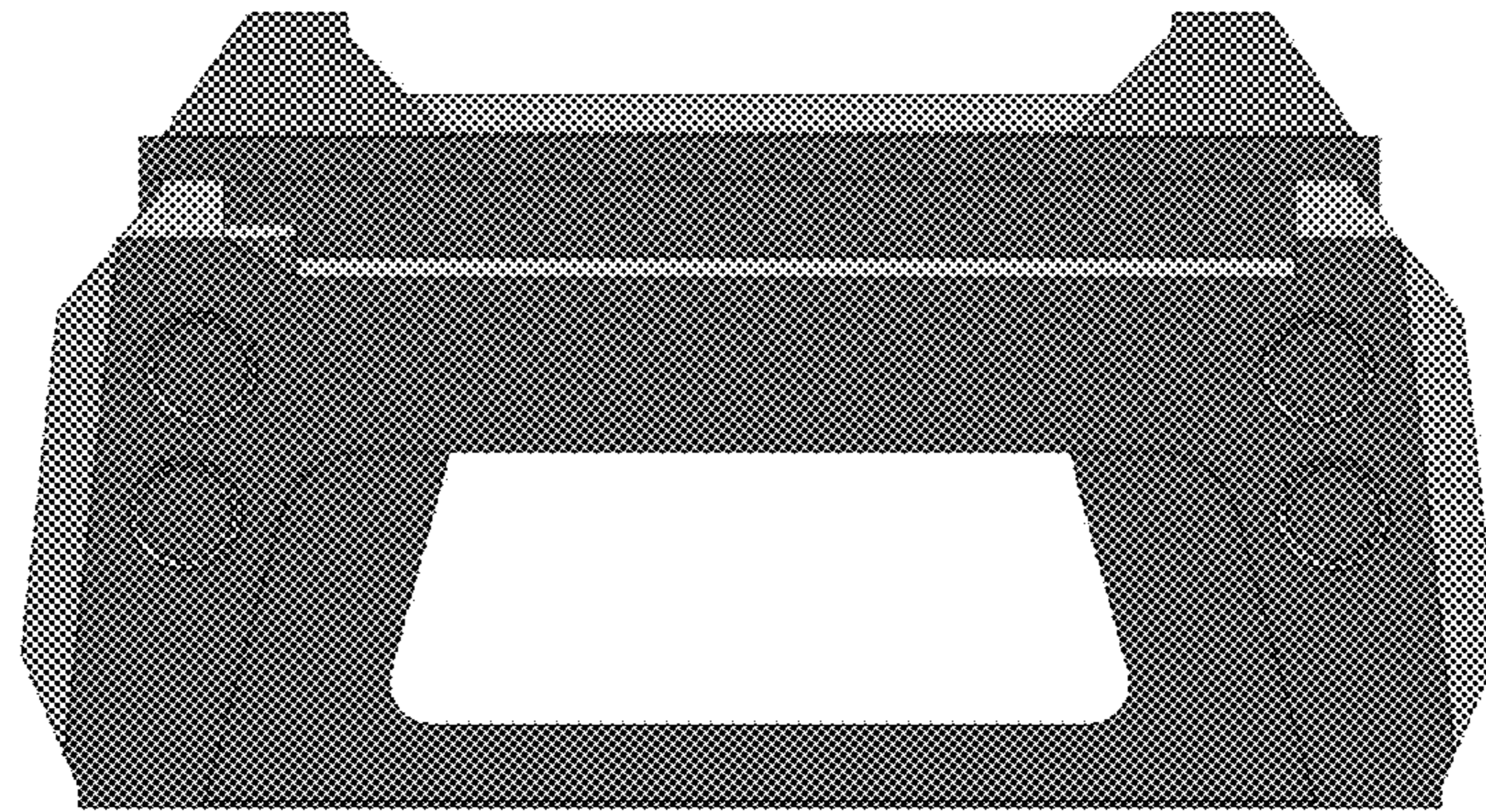


FIG. 13

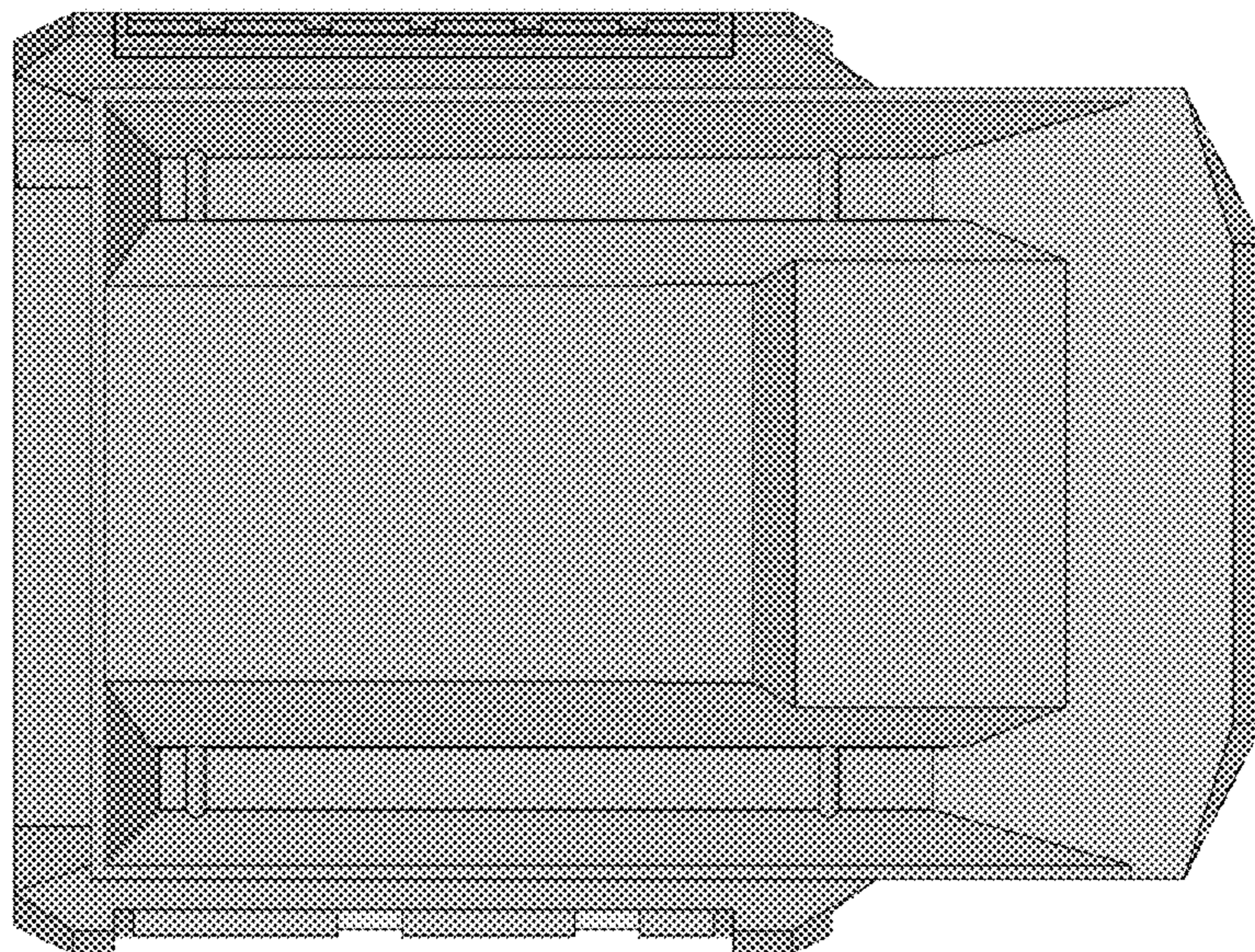


FIG. 14

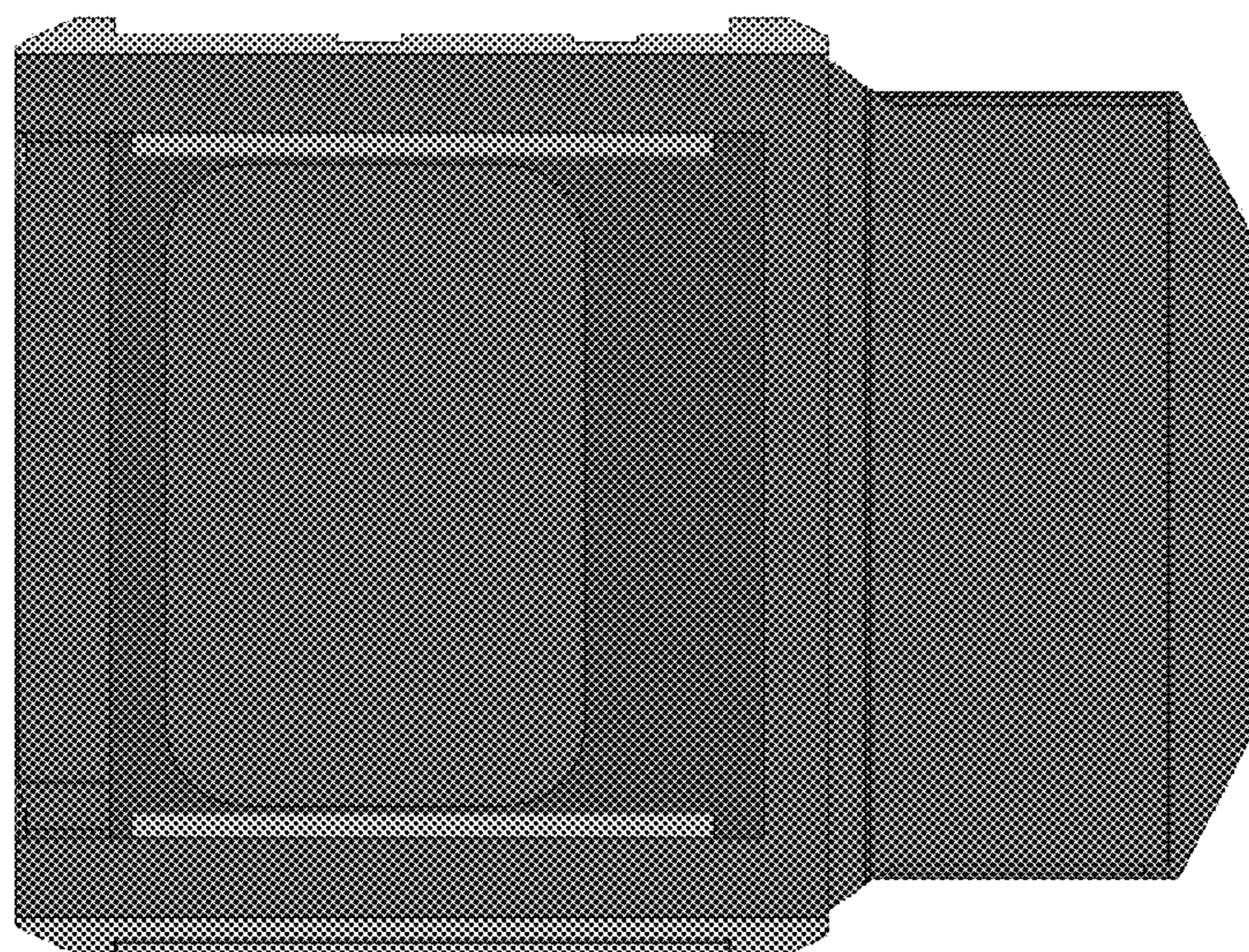


FIG. 15

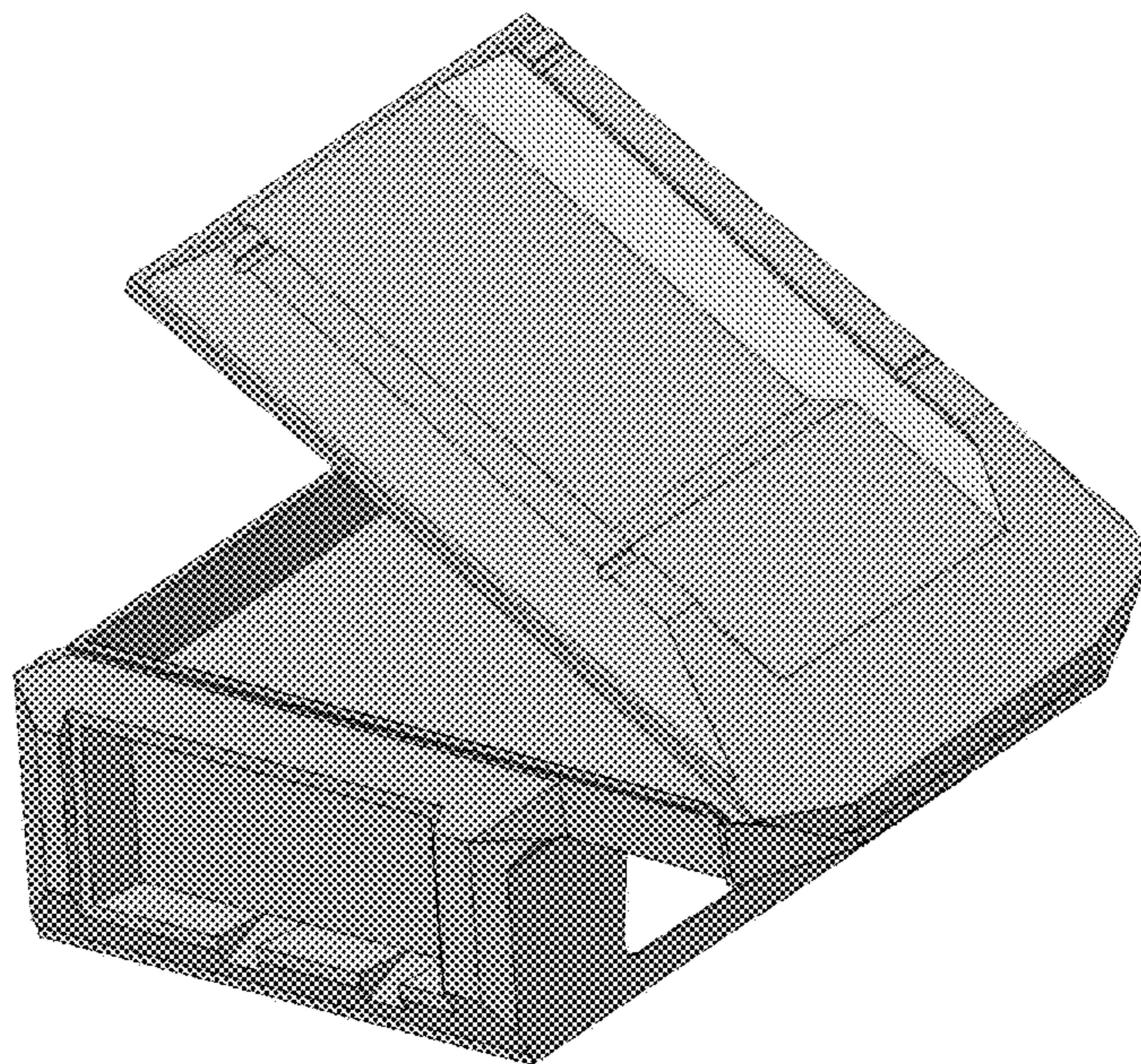


FIG. 16

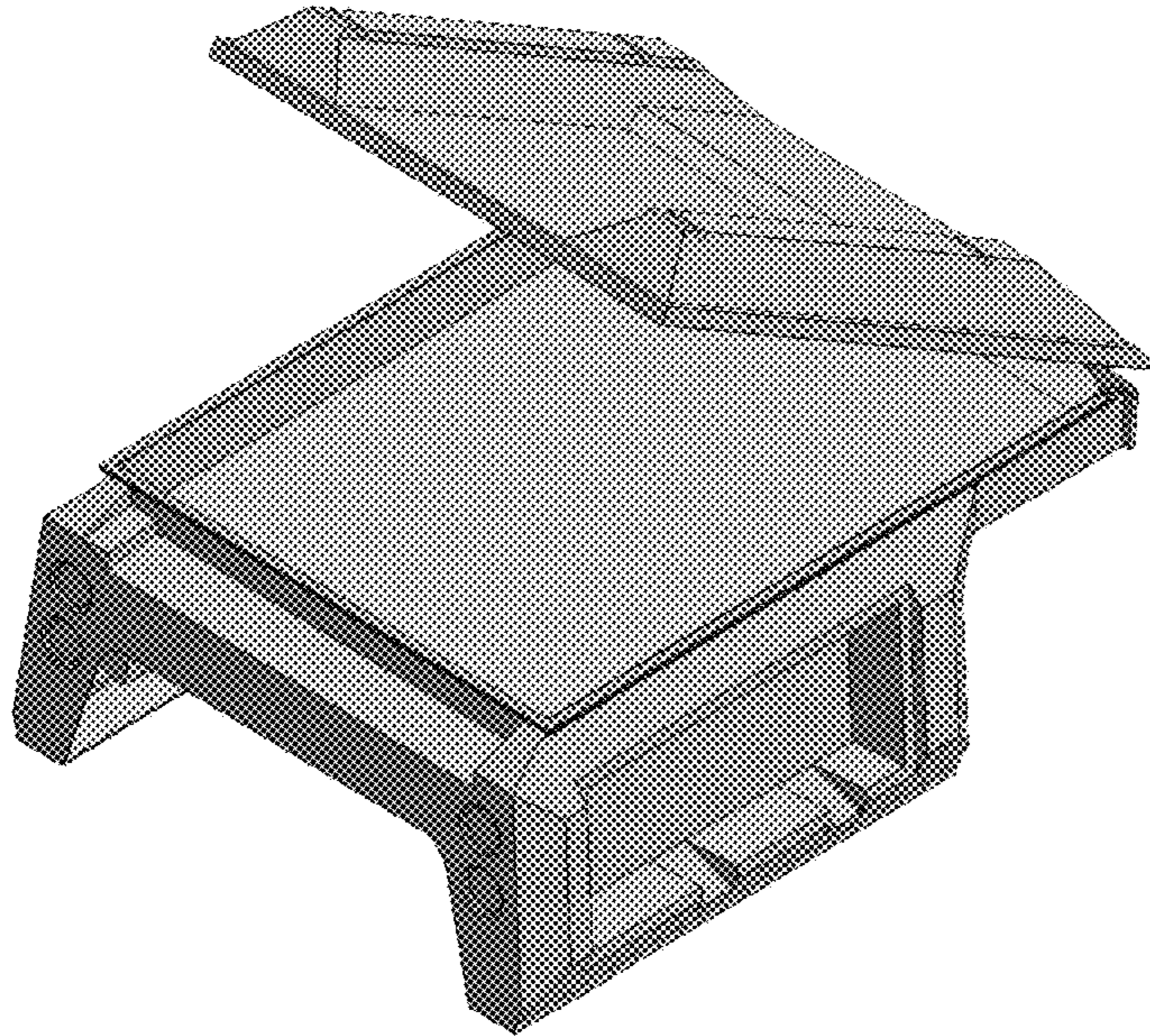


FIG. 17

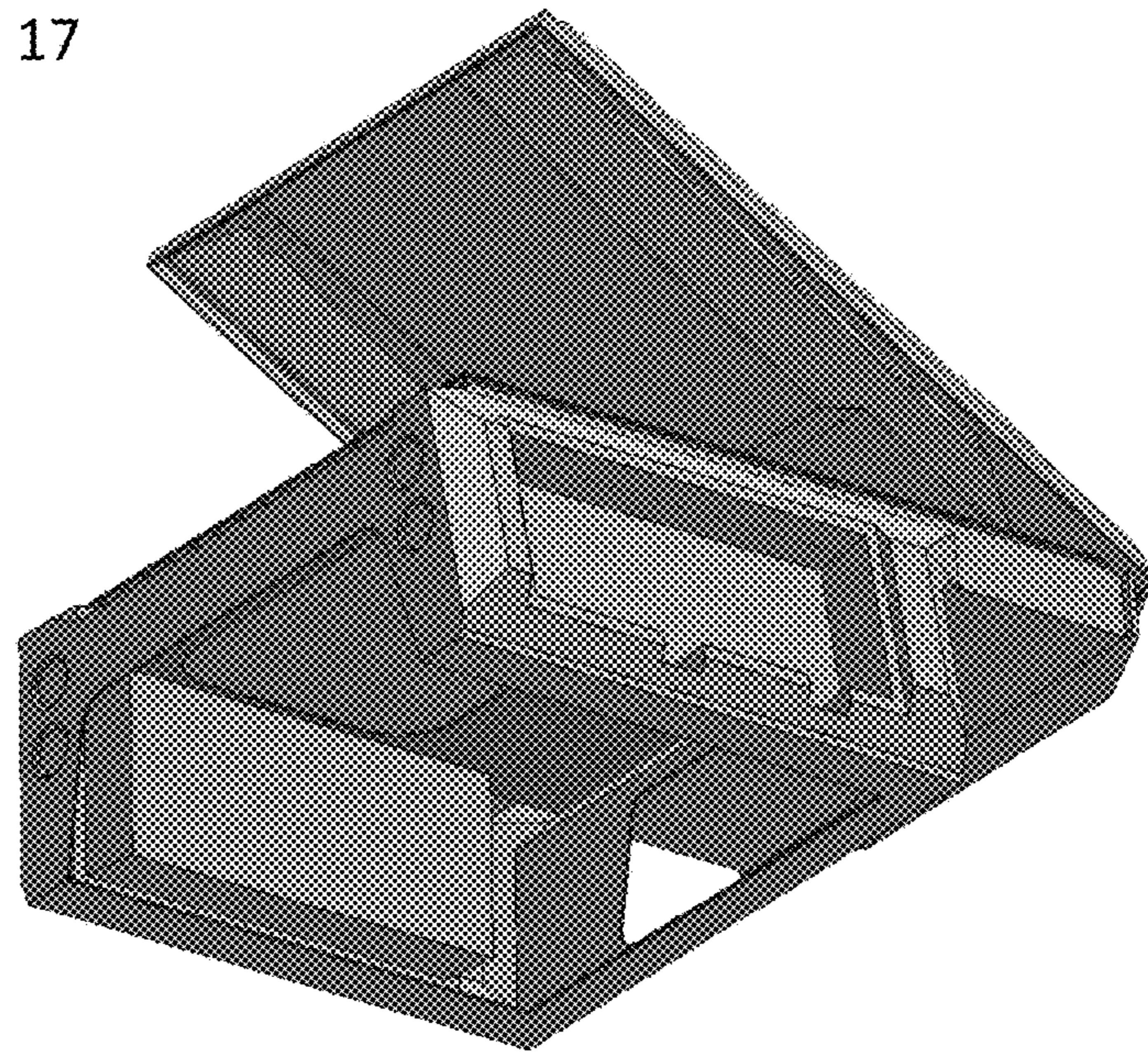


FIG. 18

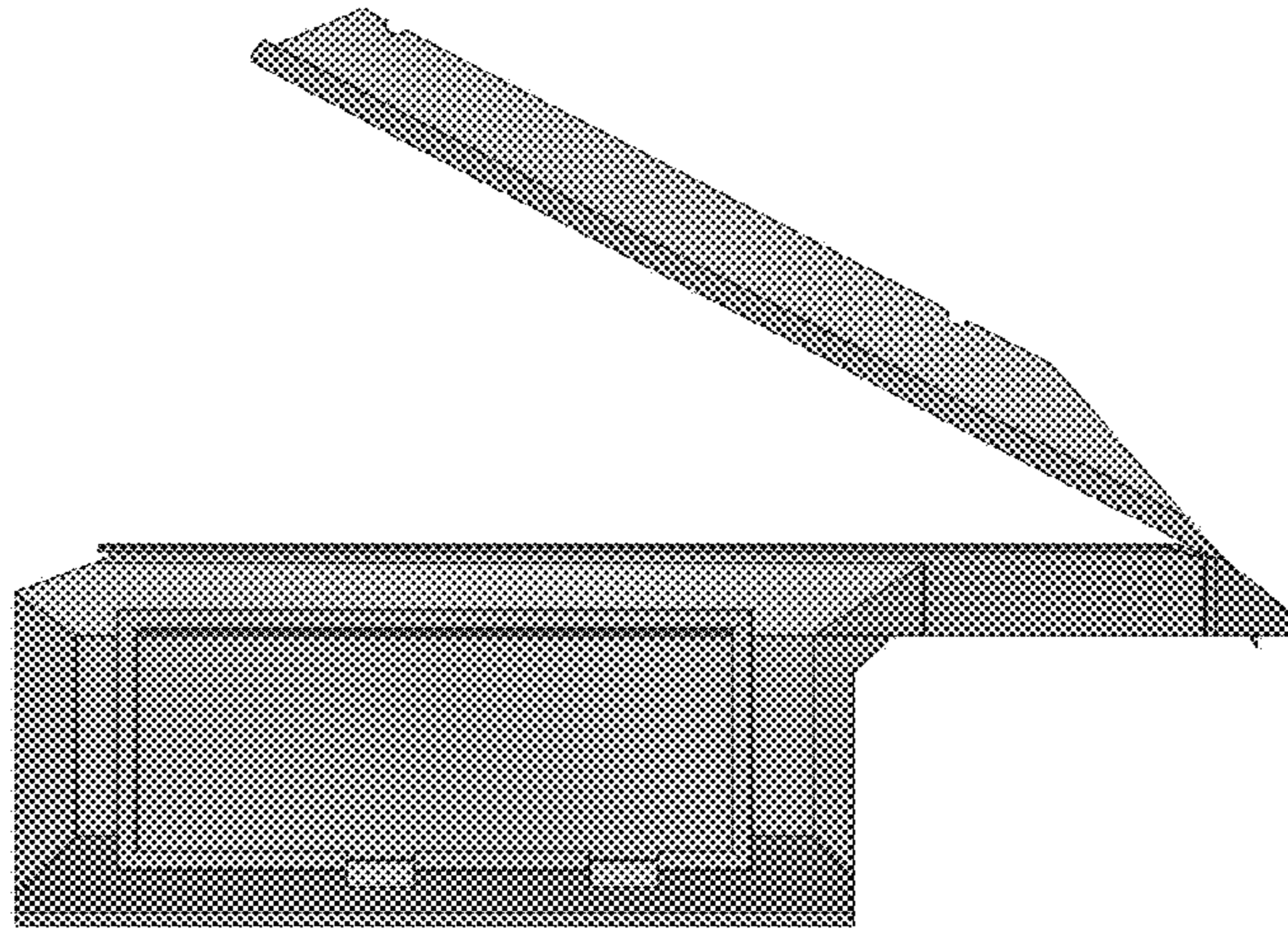


FIG. 19

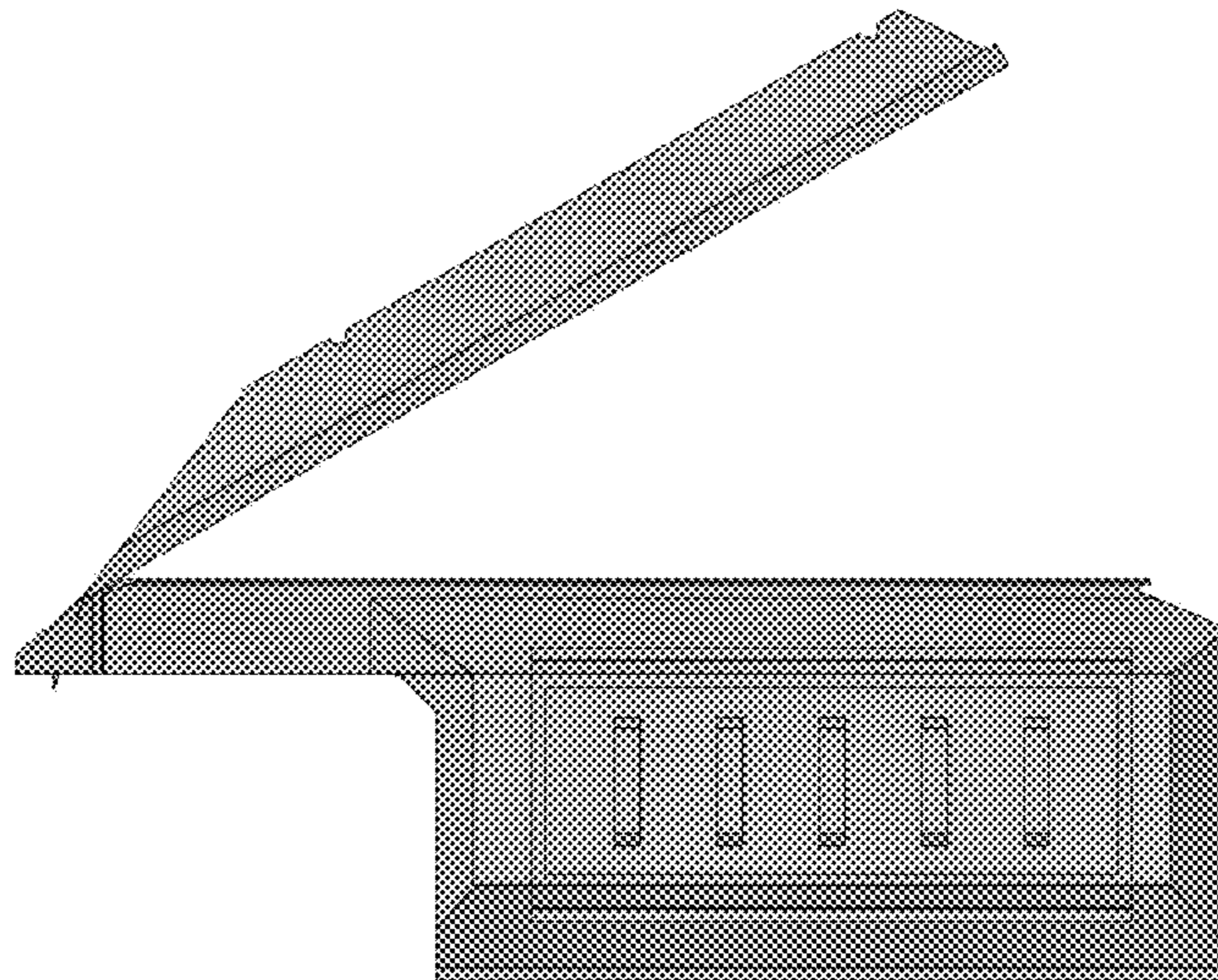


FIG. 20

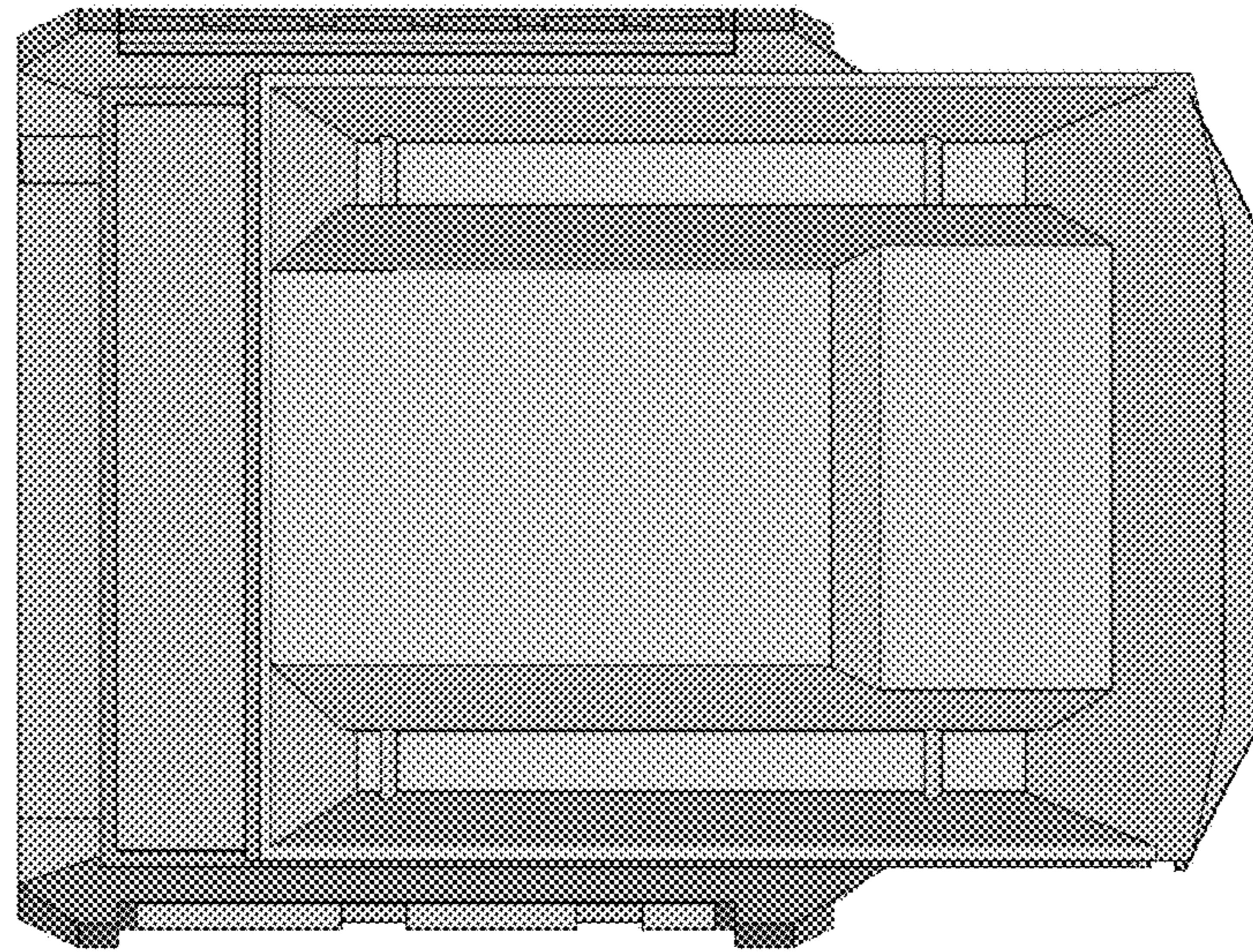


FIG. 21

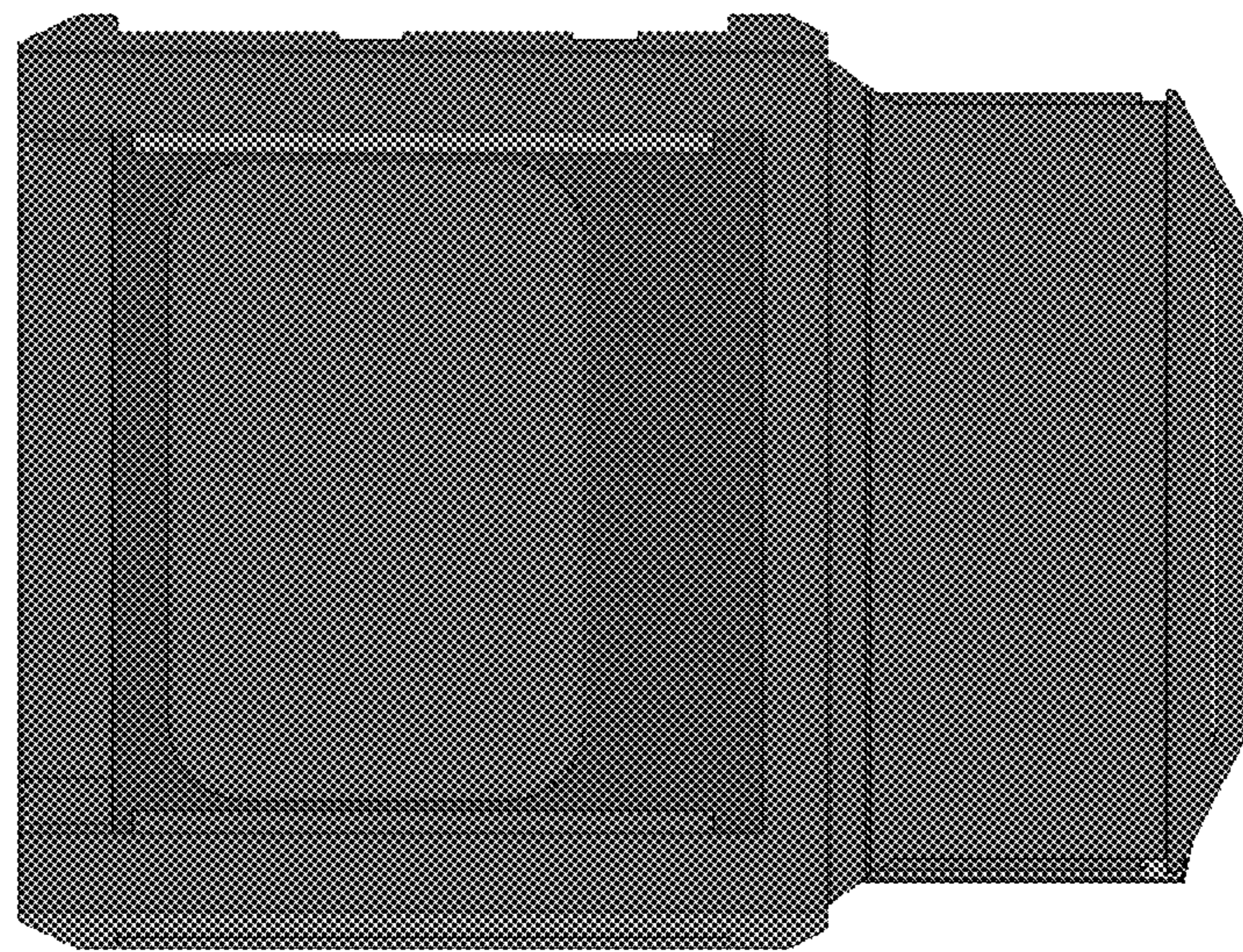


FIG. 22

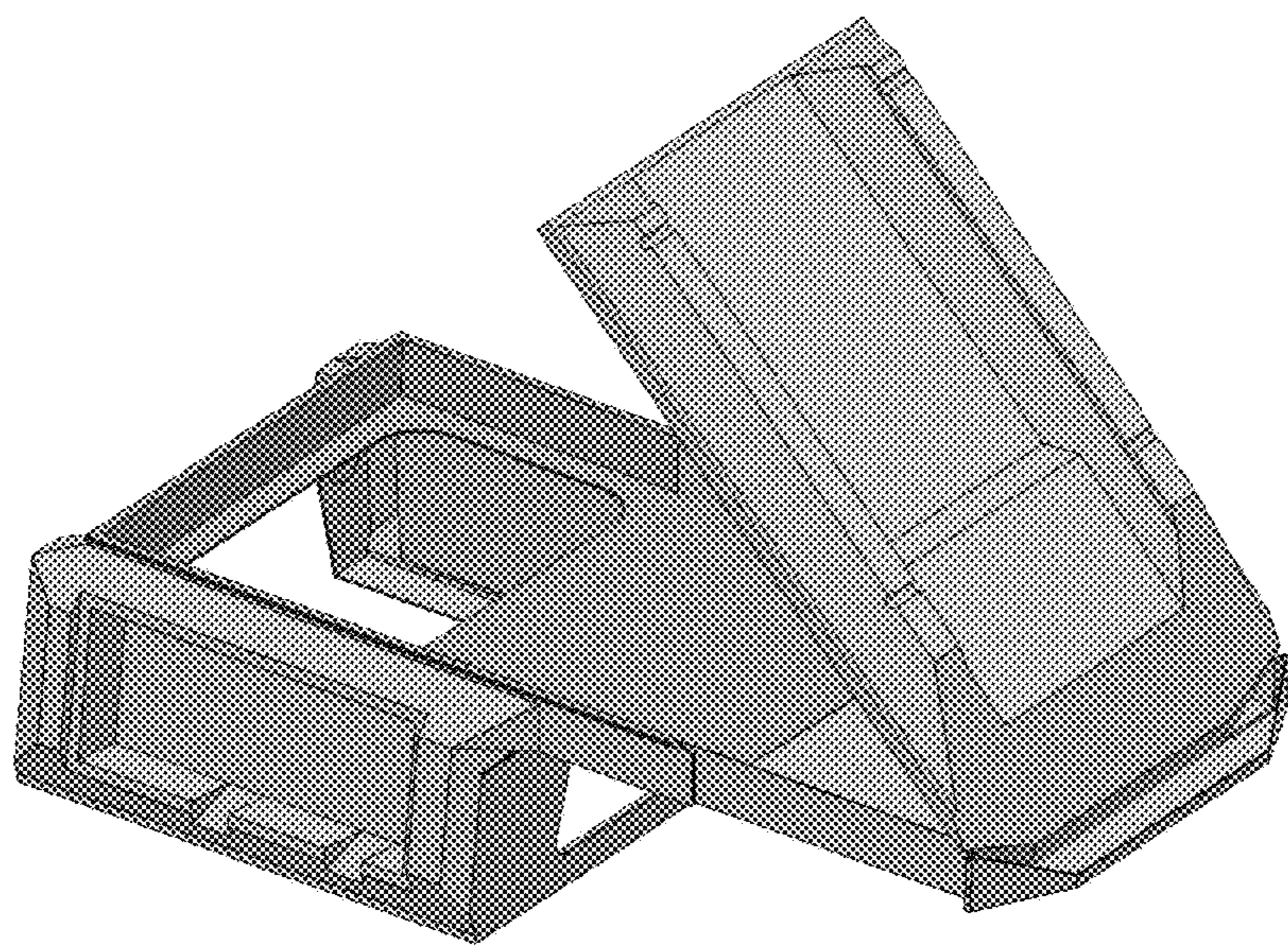


FIG. 23

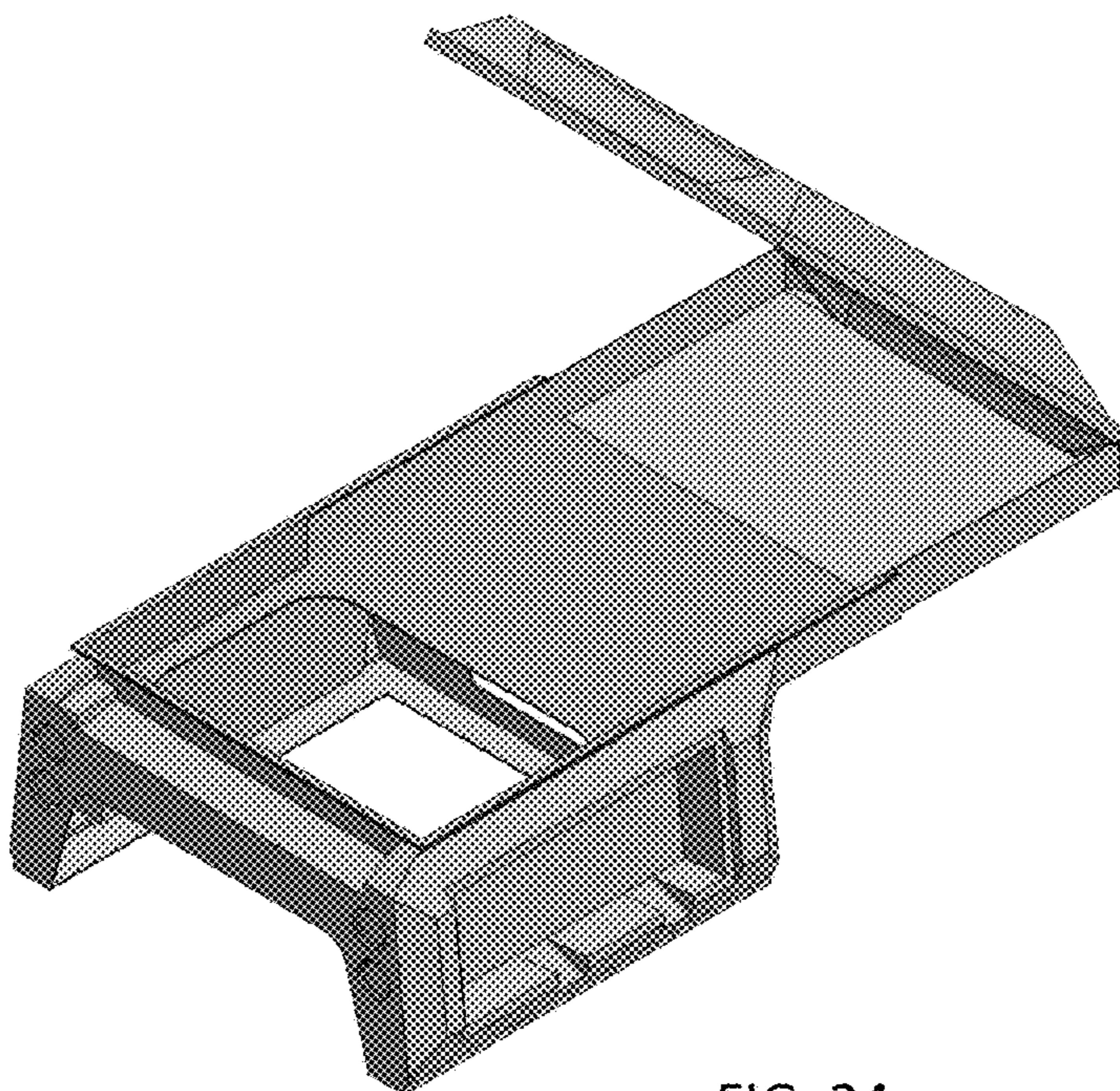


FIG. 24

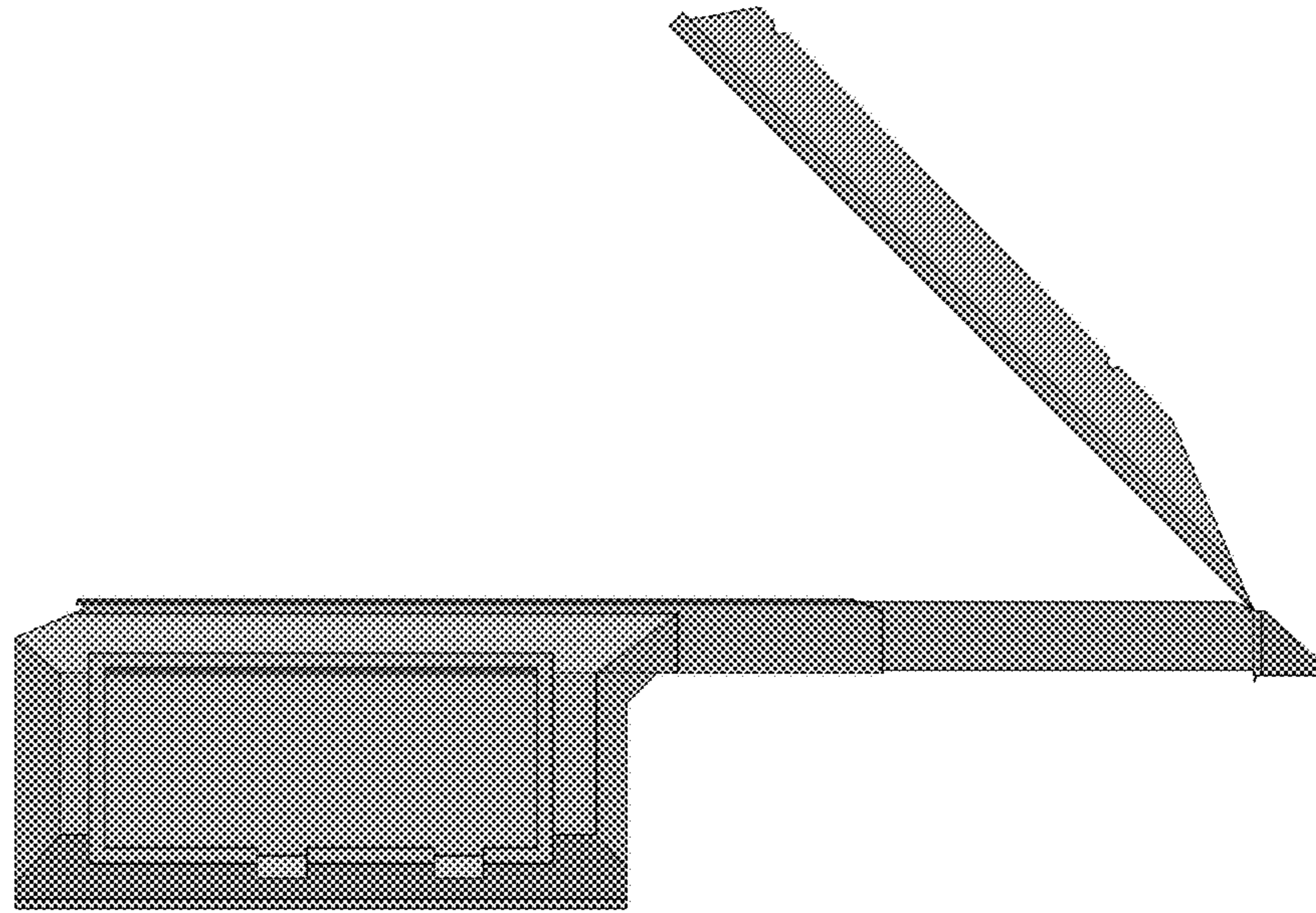


FIG. 25

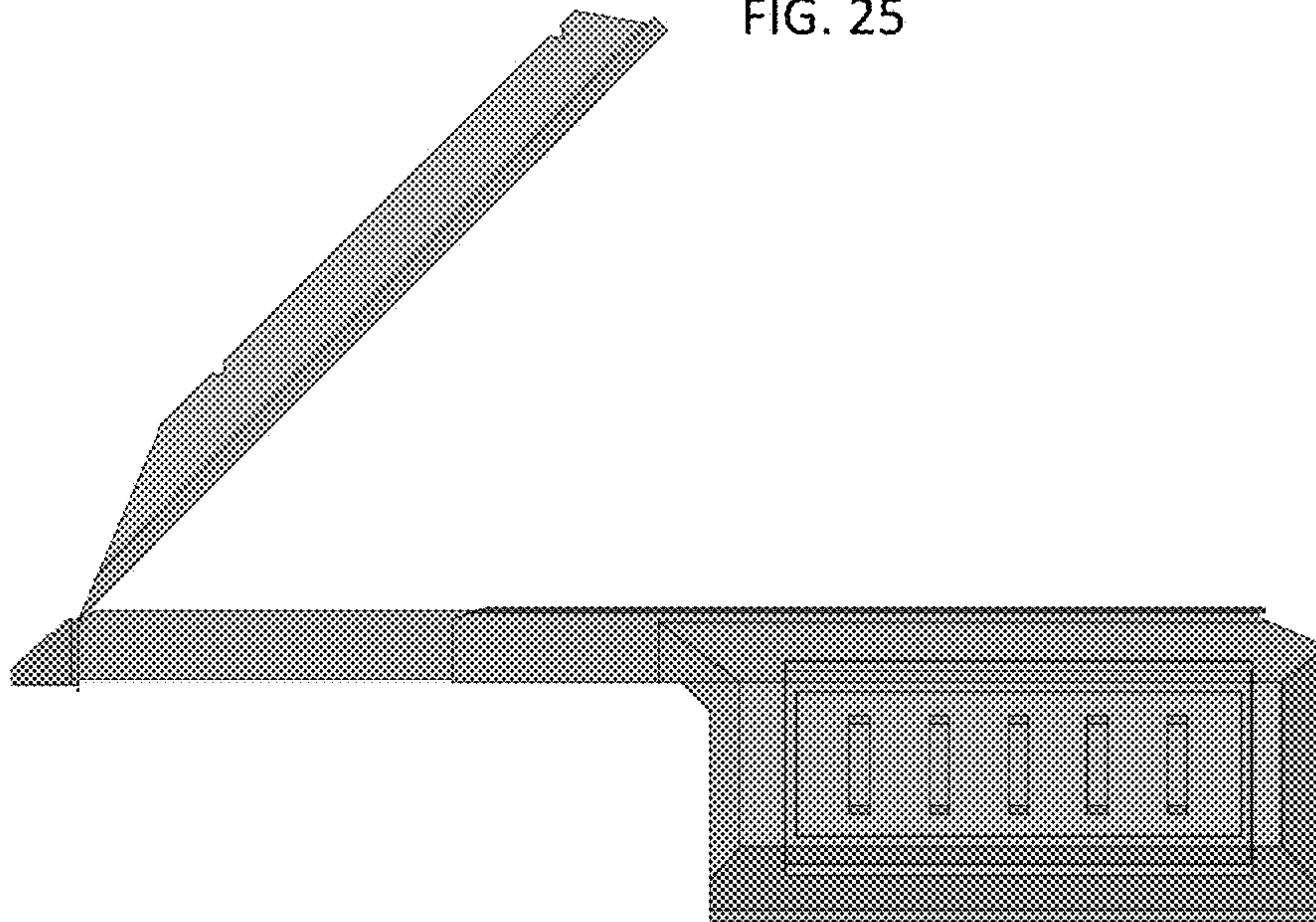


FIG. 26

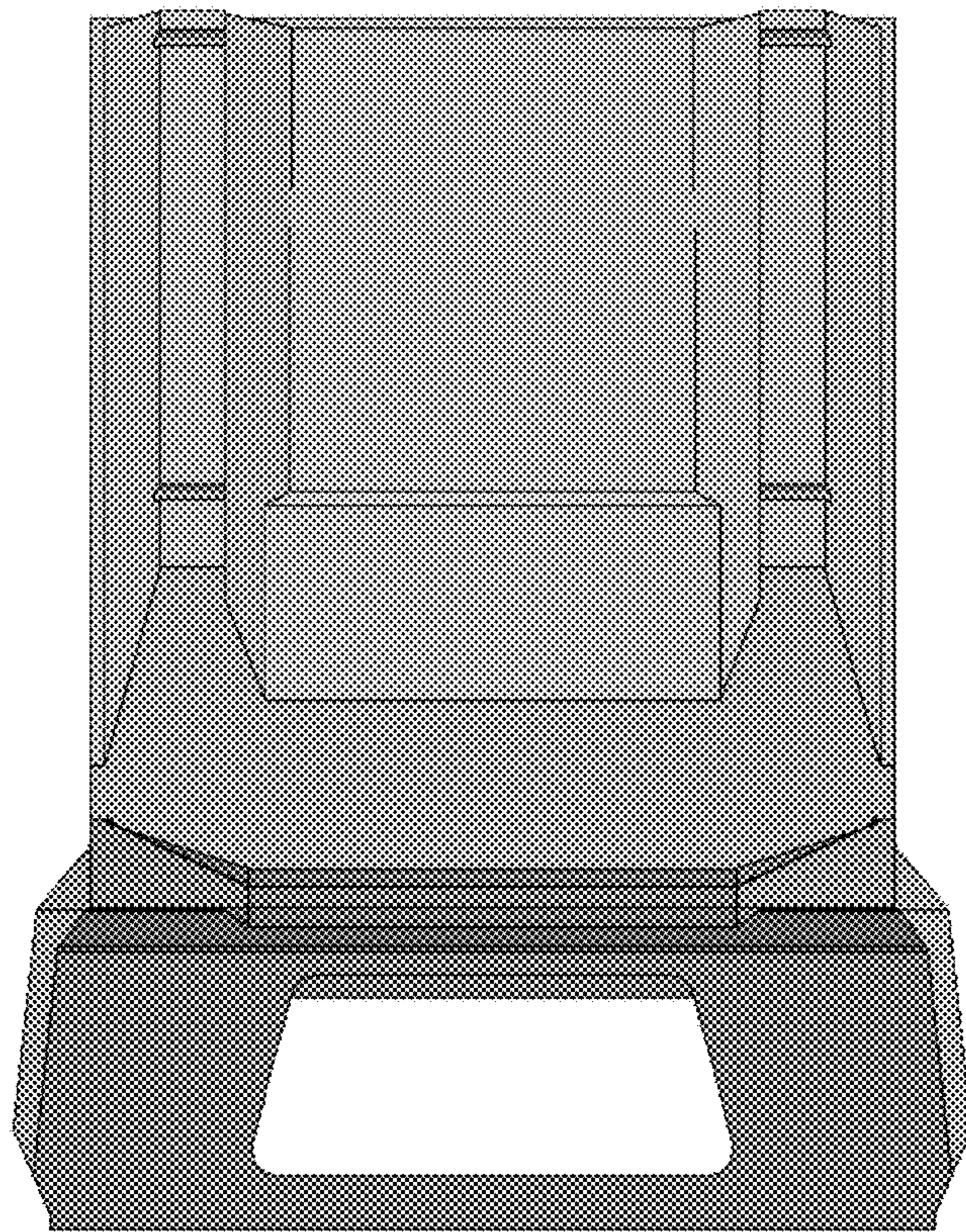


FIG. 27



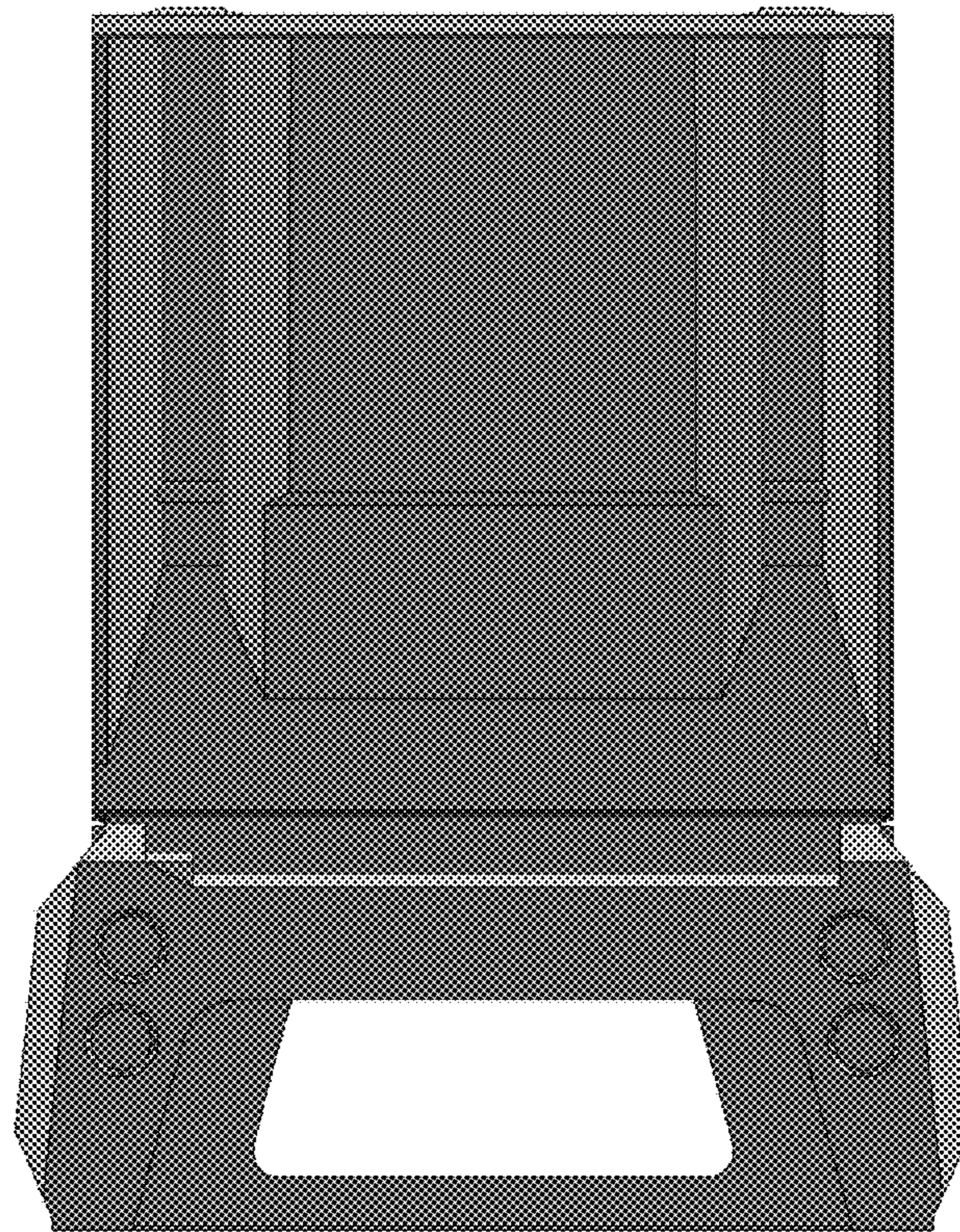


FIG. 28

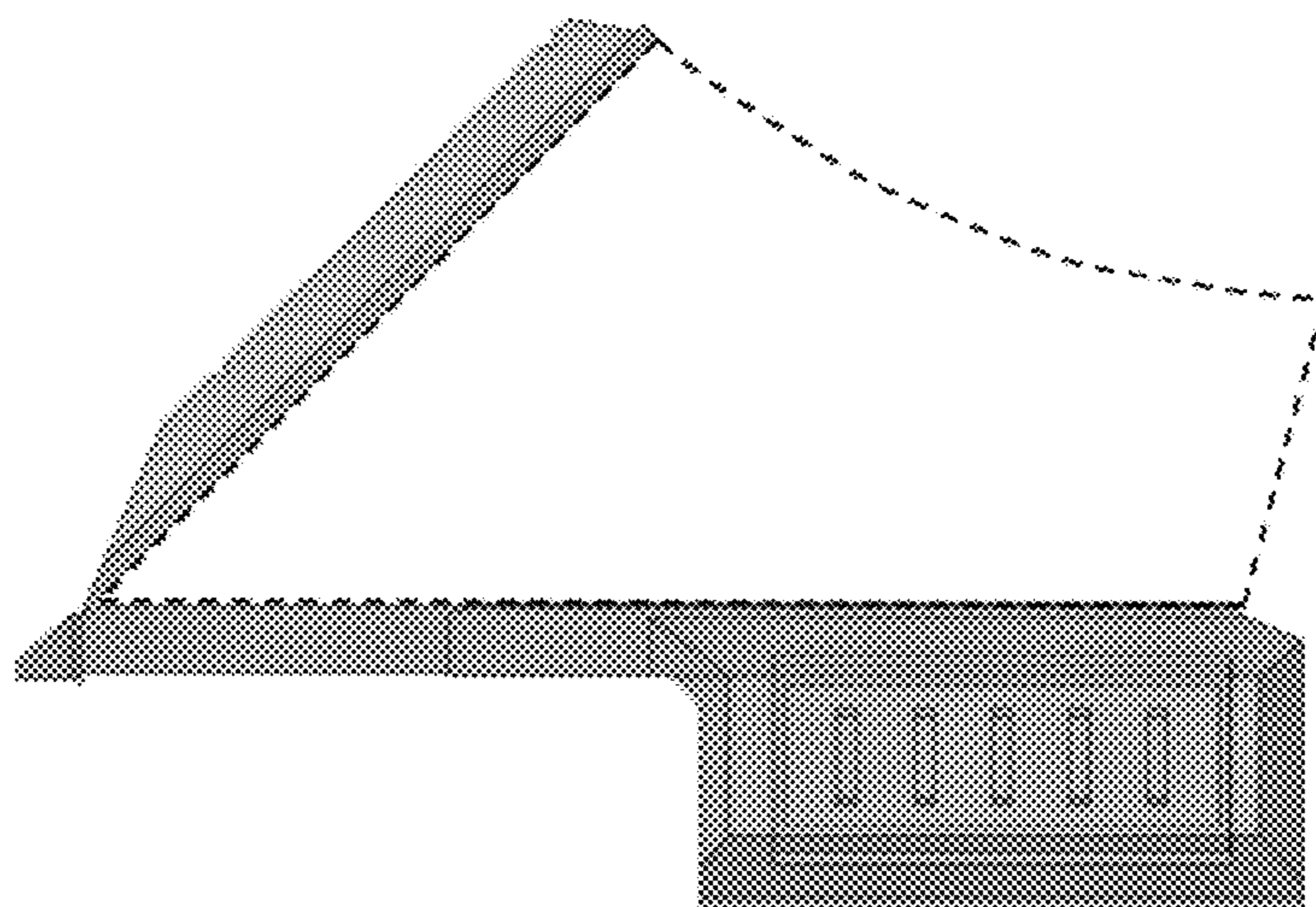


FIG. 29