



US00D852111S

(12) **United States Design Patent**  
**Kong**

(10) **Patent No.:** **US D852,111 S**

(45) **Date of Patent:** **\*\* Jun. 25, 2019**

(54) **WHEEL**

(71) Applicant: **Wheel Pros, LLC**, Greenwood Village,  
CO (US)

(72) Inventor: **Berky Kong**, Hong Kong (HK)

(\*\*) Term: **15 Years**

(21) Appl. No.: **29/653,114**

(22) Filed: **Jun. 12, 2018**

(51) **LOC (11) Cl.** ..... **12-16**

(52) **U.S. Cl.**  
USPC ..... **D12/211**

(58) **Field of Classification Search**  
USPC ..... D12/204–213  
CPC .... B60B 7/00; B60B 7/02; B60B 7/04; B60B  
7/01; B60B 7/06; B60B 3/02; B60B 3/04;  
B60B 3/06; B60B 3/10; B60B 1/00;  
B60B 1/08; B60B 1/10; B60B 1/12  
See application file for complete search history.

(56) **References Cited**

**U.S. PATENT DOCUMENTS**

D498,195 S	*	11/2004	Guevara	.....	D12/211
D578,458 S	*	10/2008	Cortes	.....	D12/211
D582,829 S	*	12/2008	Musser	.....	D12/211
D624,863 S	*	10/2010	Zhao	.....	D12/211
D625,242 S	*	10/2010	Zhao	.....	D12/211
D633,028 S	*	2/2011	Kim	.....	D12/211
D649,101 S	*	11/2011	Hale, Jr.	.....	D12/209
D678,159 S	*	3/2013	Hale, Jr.	.....	D12/209
D680,933 S	*	4/2013	Hale, Jr.	.....	D12/209
D686,959 S	*	7/2013	Hale	.....	D12/209
D695,195 S	*	12/2013	Chung	.....	D12/211
D695,201 S	*	12/2013	Zhao	.....	D12/211
D704,124 S	*	5/2014	Hale, Jr.	.....	D12/211
D704,616 S	*	5/2014	Chung	.....	D12/211

D706,197 S	*	6/2014	Chung	.....	D12/211
D706,697 S	*	6/2014	Chung	.....	D12/209
D715,724 S	*	10/2014	Chung	.....	D12/211
D726,630 S	*	4/2015	Kong	.....	D12/211
D733,025 S	*	6/2015	Chung	.....	D12/204
D734,702 S	*	7/2015	Hale	.....	D12/209
D735,631 S	*	8/2015	Chung	.....	D12/211
D737,191 S	*	8/2015	Chung	.....	D12/211
D737,749 S	*	9/2015	Hale	.....	D12/213
D742,293 S	*	11/2015	Chung	.....	D12/211
D753,048 S	*	4/2016	Chan	.....	D12/211
D769,785 S	*	10/2016	Wells	.....	D12/211
D781,764 S	*	3/2017	Zhao	.....	D12/209
D782,955 S	*	4/2017	Zhao	.....	D12/211
D790,427 S	*	6/2017	Palana	.....	D12/211
D791,675 S	*	7/2017	Guo	.....	D12/211
D794,532 S	*	8/2017	Zhao	.....	D12/211
D805,455 S	*	12/2017	Kong	.....	D12/209
D806,626 S	*	1/2018	Tran	.....	D12/208
D826,131 S	*	8/2018	Palana	.....	D12/211
D833,360 S	*	11/2018	Kong	.....	D12/209
D840,899 S	*	2/2019	Chung	.....	D12/211
D842,184 S	*	3/2019	Chung	.....	D12/209

\* cited by examiner

*Primary Examiner* — Stacia A Cadmus

(74) *Attorney, Agent, or Firm* — Eric Hanscom

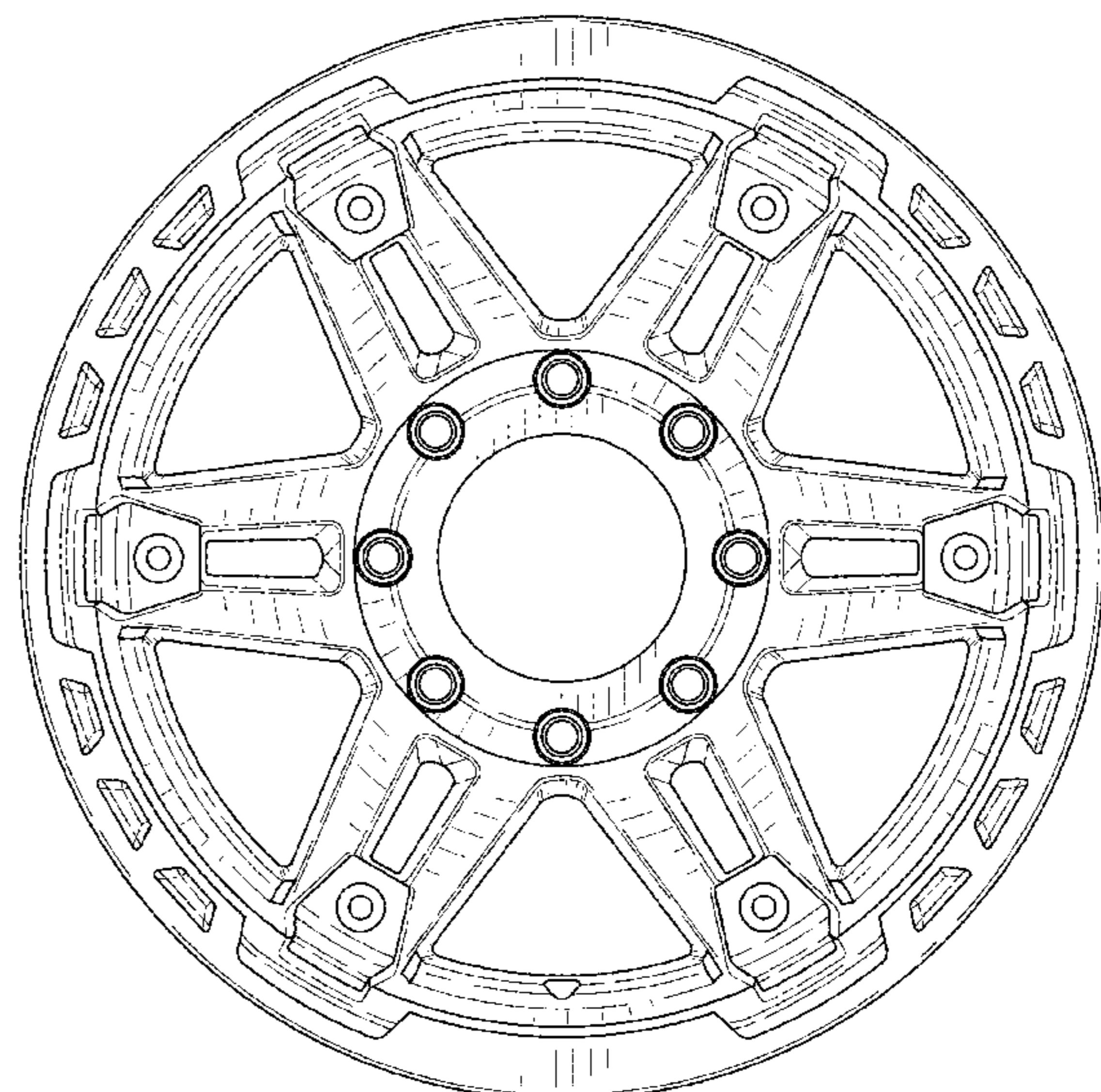
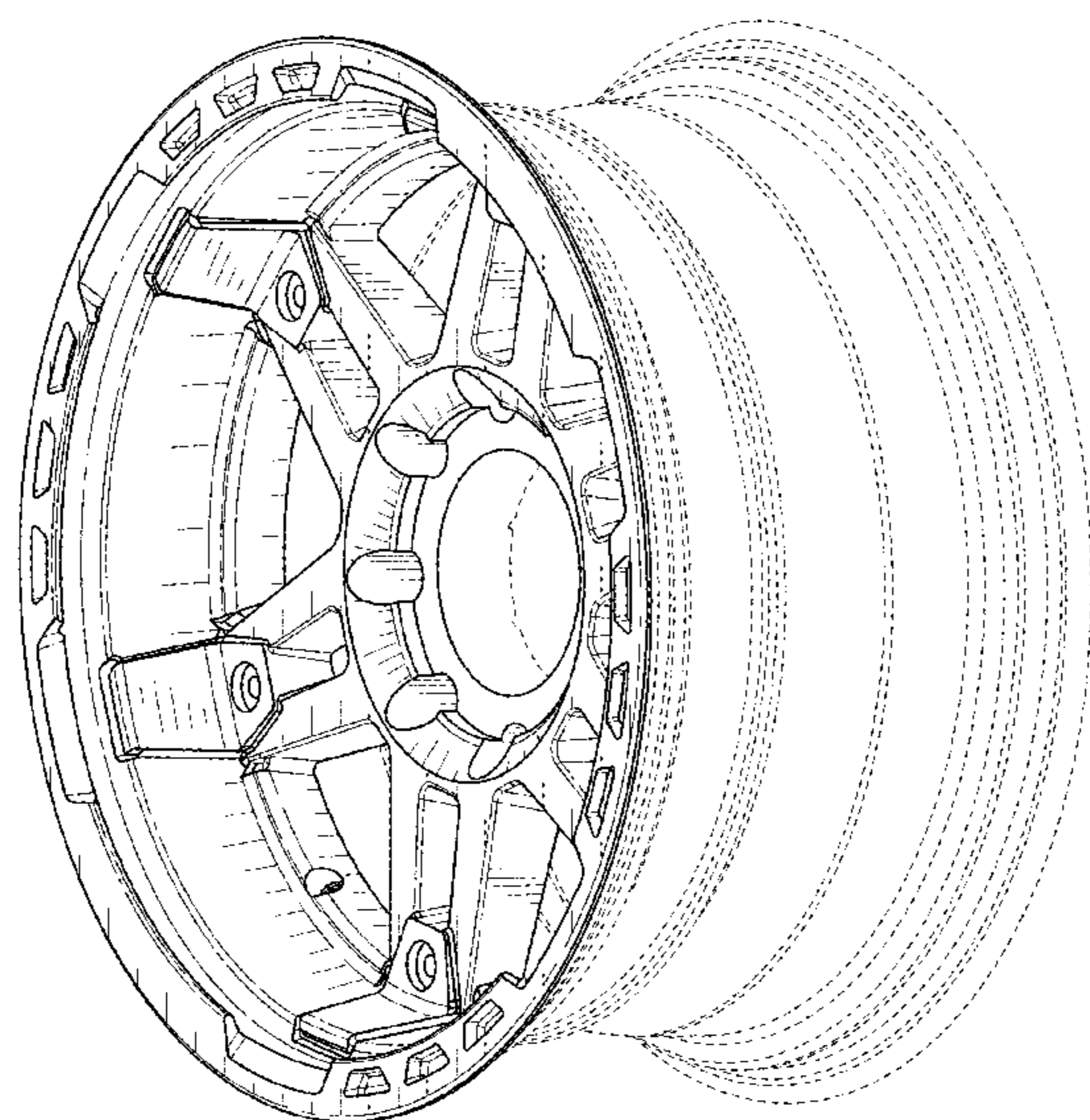
(57) **CLAIM**

The ornamental design for a wheel, as shown and described.

**DESCRIPTION**

FIG. 1 is a perspective view of a wheel showing my new design; and,  
FIG. 2 is a front view thereof.  
In the drawings, broken lines shown in the drawings depict environmental subject matter only and form no part of the claimed design.

**1 Claim, 2 Drawing Sheets**



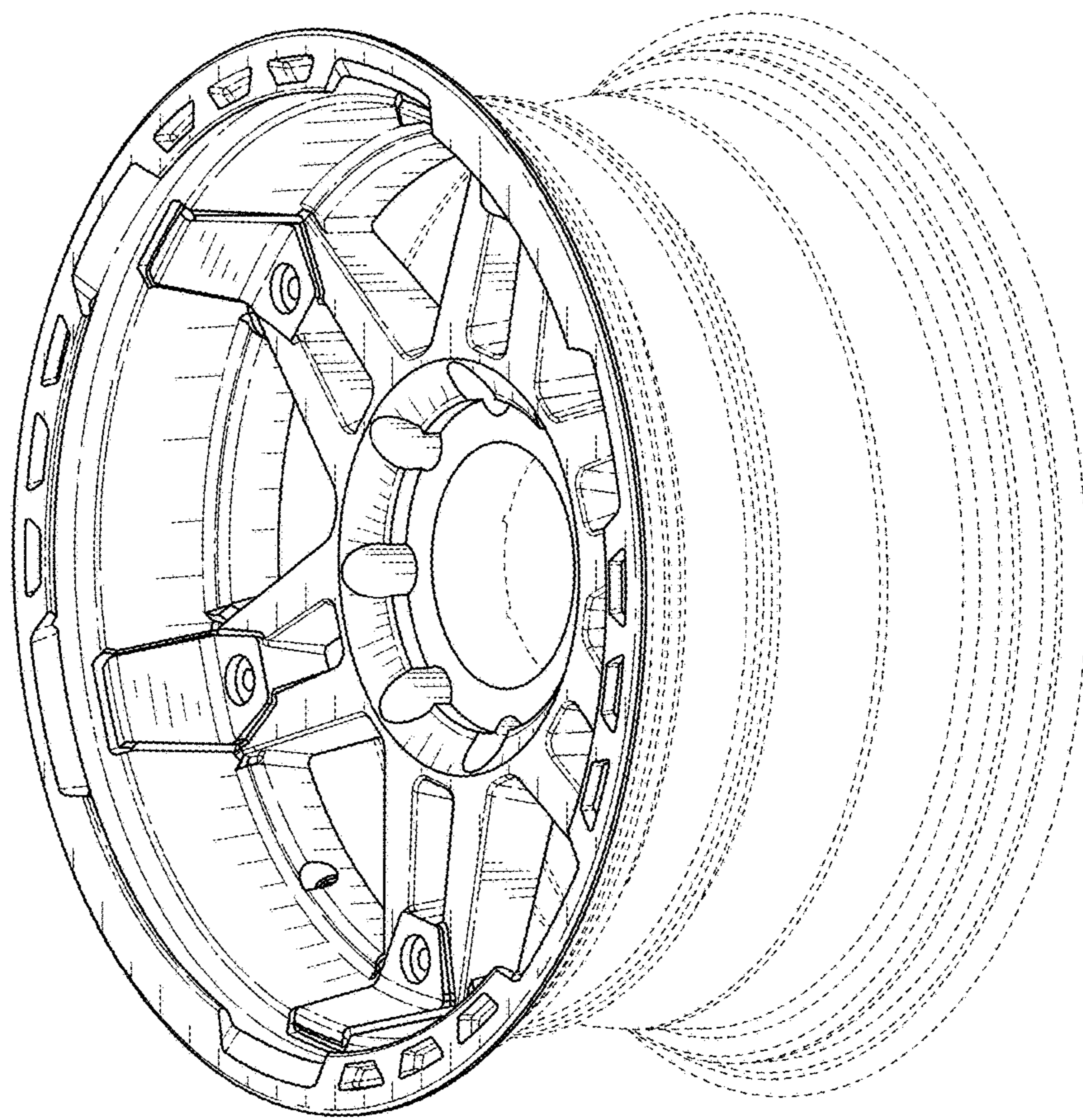


FIG. 1

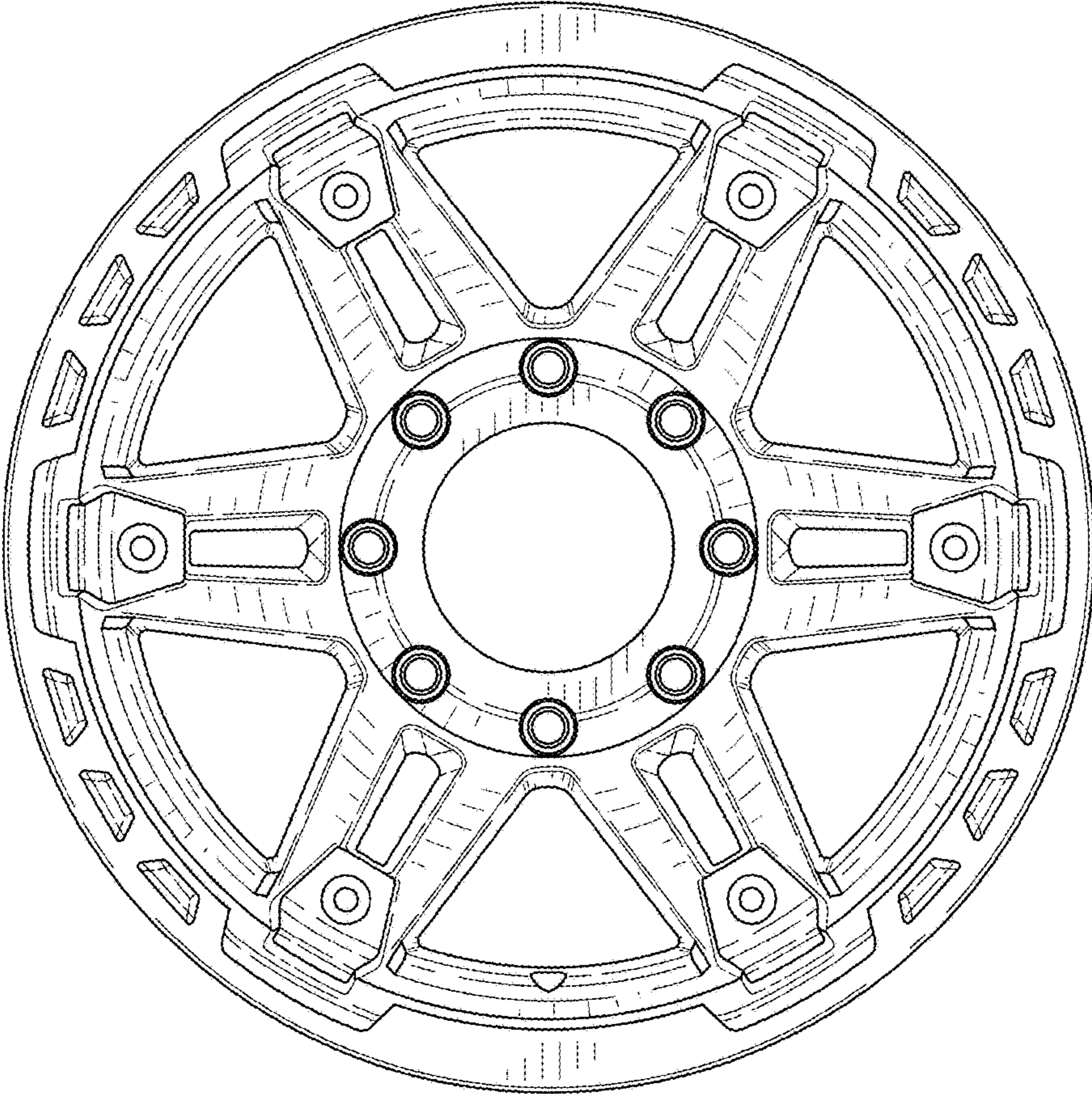


FIG. 2