



US00D852110S

(12) **United States Design Patent**  
**Guidry**

(10) **Patent No.:** **US D852,110 S**

(45) **Date of Patent:** **\*\* Jun. 25, 2019**

(54) **VEHICLE WHEEL**

(71) Applicant: **QUARSA, LLC**, Chino, CA (US)

(72) Inventor: **Jason Guidry**, Los Angeles, CA (US)

(73) Assignee: **QUARSA, LLC**, Chino, CA (US)

(\*\*) Term: **15 Years**

(21) Appl. No.: **29/650,585**

(22) Filed: **Jun. 7, 2018**

(51) **LOC (11) Cl.** ..... **12-16**

(52) **U.S. Cl.**  
USPC ..... **D12/211**

(58) **Field of Classification Search**  
USPC ..... D12/204–213  
CPC .... B60B 7/00; B60B 7/02; B60B 7/04; B60B  
7/01; B60B 7/06; B60B 3/02; B60B 3/04;  
B60B 3/06; B60B 3/10; B60R 1/00;  
B60R 1/08; B60R 1/10; B60R 1/12;  
B60R 13/04

See application file for complete search history.

(56) **References Cited**

**U.S. PATENT DOCUMENTS**

D473,505 S *	4/2003	Min	.....	D12/209
D501,440 S *	2/2005	Pfeiffer	.....	D12/211
D513,726 S *	1/2006	Kamimura	.....	D12/211
D524,219 S *	7/2006	Scheu	.....	D12/211
D577,323 S *	9/2008	Chung	.....	D12/211

D614,111 S *	4/2010	Tant	.....	D12/211
D675,973 S *	2/2013	Lee	.....	D12/211
D706,695 S *	6/2014	Platto	.....	D12/209
D706,699 S *	6/2014	Platto	.....	D12/211
D706,700 S *	6/2014	Platto	.....	D12/211
D715,208 S *	10/2014	Grake	.....	D12/204
D723,994 S *	3/2015	Chung	.....	D12/211
D740,198 S *	10/2015	Barnes	.....	D12/211
D740,736 S *	10/2015	Chung	.....	D12/211
D744,397 S *	12/2015	Pollmann	.....	D12/209
D748,029 S *	1/2016	Kermelk	.....	D12/209
D782,950 S *	4/2017	Hatton	.....	D12/209
D805,994 S *	12/2017	Platto	.....	D12/211

\* cited by examiner

*Primary Examiner* — Stacia A Cadmus

(74) *Attorney, Agent, or Firm* — Snell & Wilmer LLP

(57) **CLAIM**

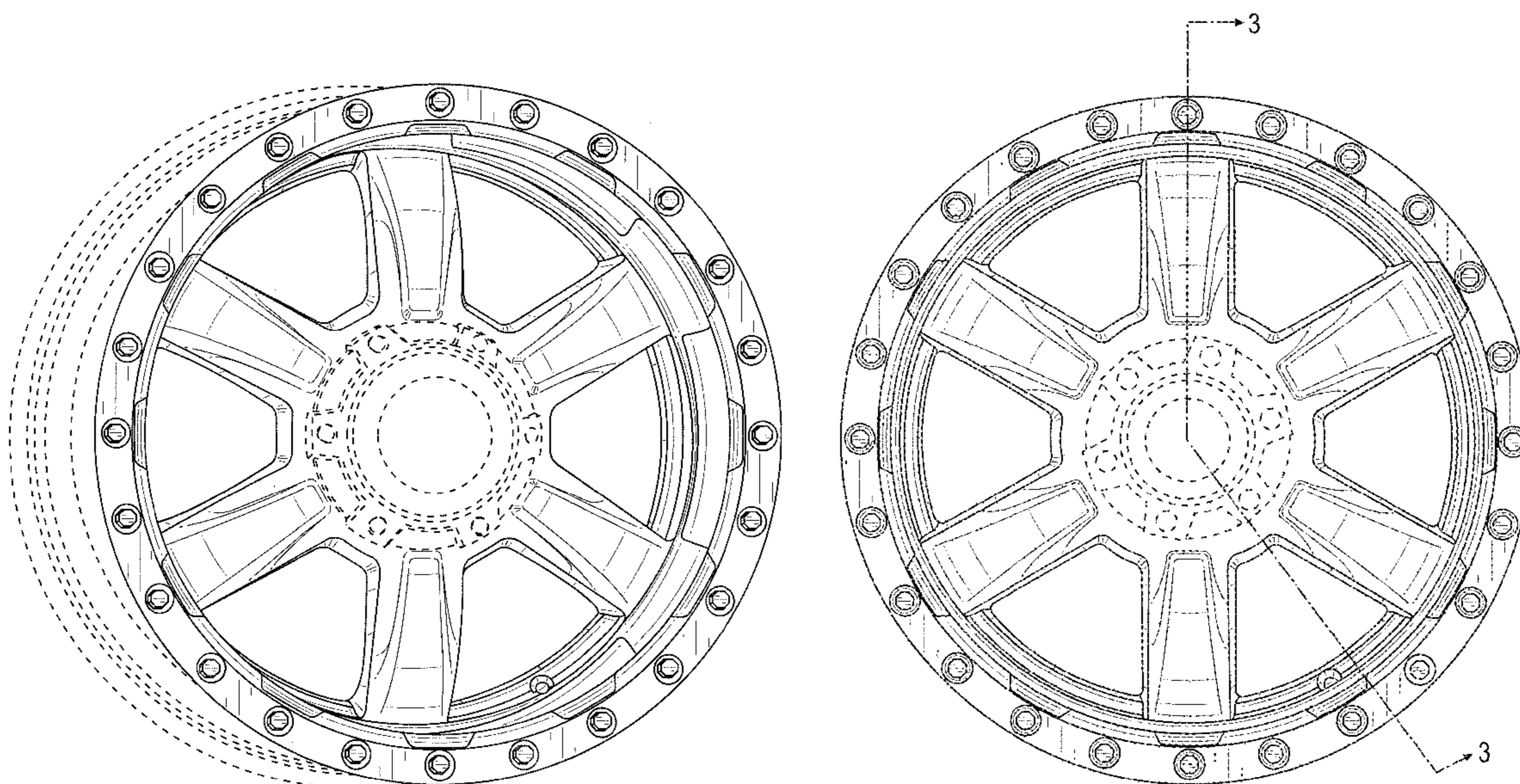
I claim the ornamental design for a vehicle wheel, as shown and described.

**DESCRIPTION**

FIG. 1 is a perspective view of the vehicle wheel showing my new design;  
FIG. 2 is a front view of the vehicle wheel; and,  
FIG. 3 is a cross-sectional view taken along the line 3-3 of FIG. 2.

The broken lines showing the rear portion of the vehicle wheel and the central hub area are included for the purpose of illustrating environment and forms no part of the claimed design.

**1 Claim, 3 Drawing Sheets**



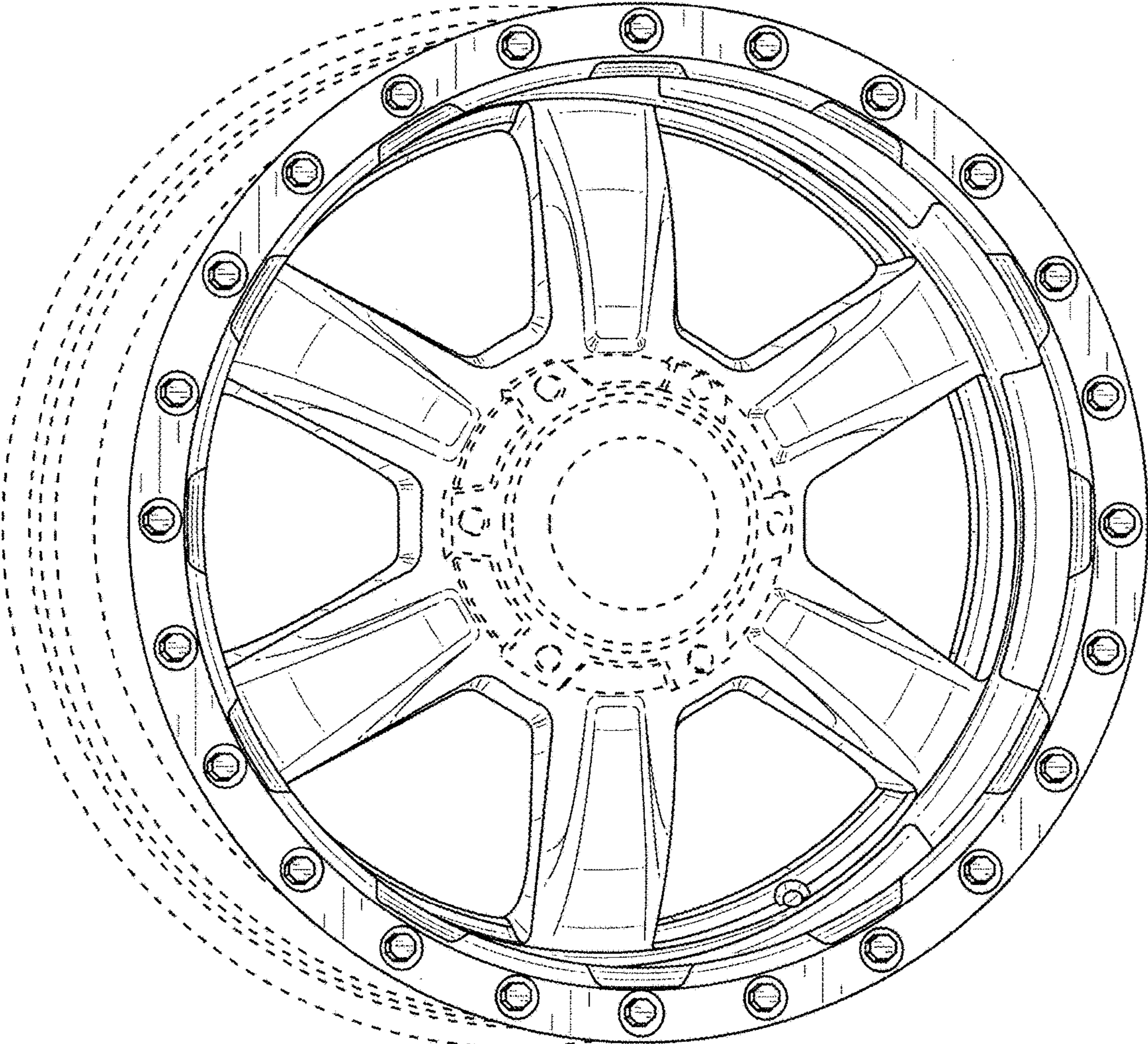


FIG. 1

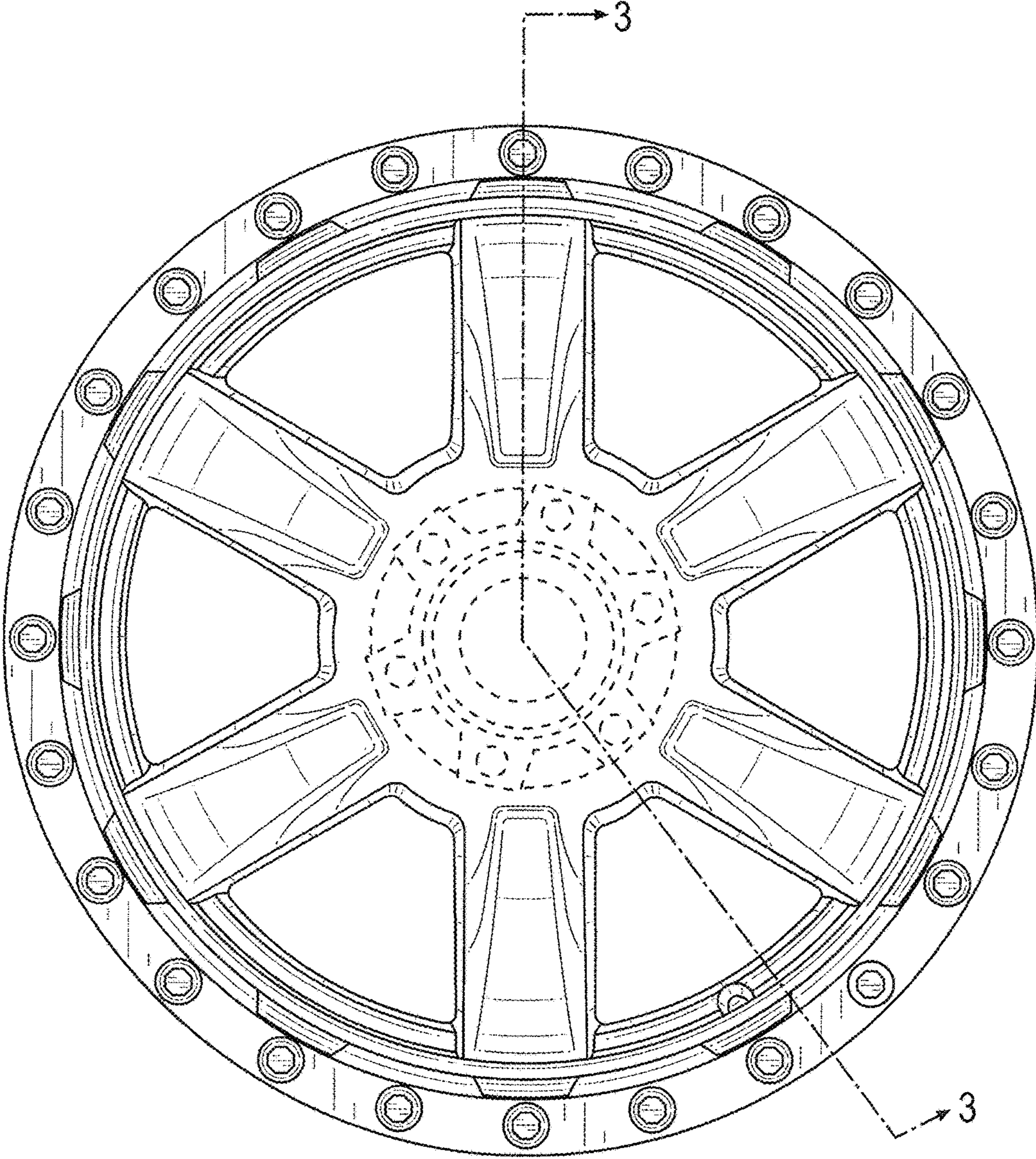


FIG. 2

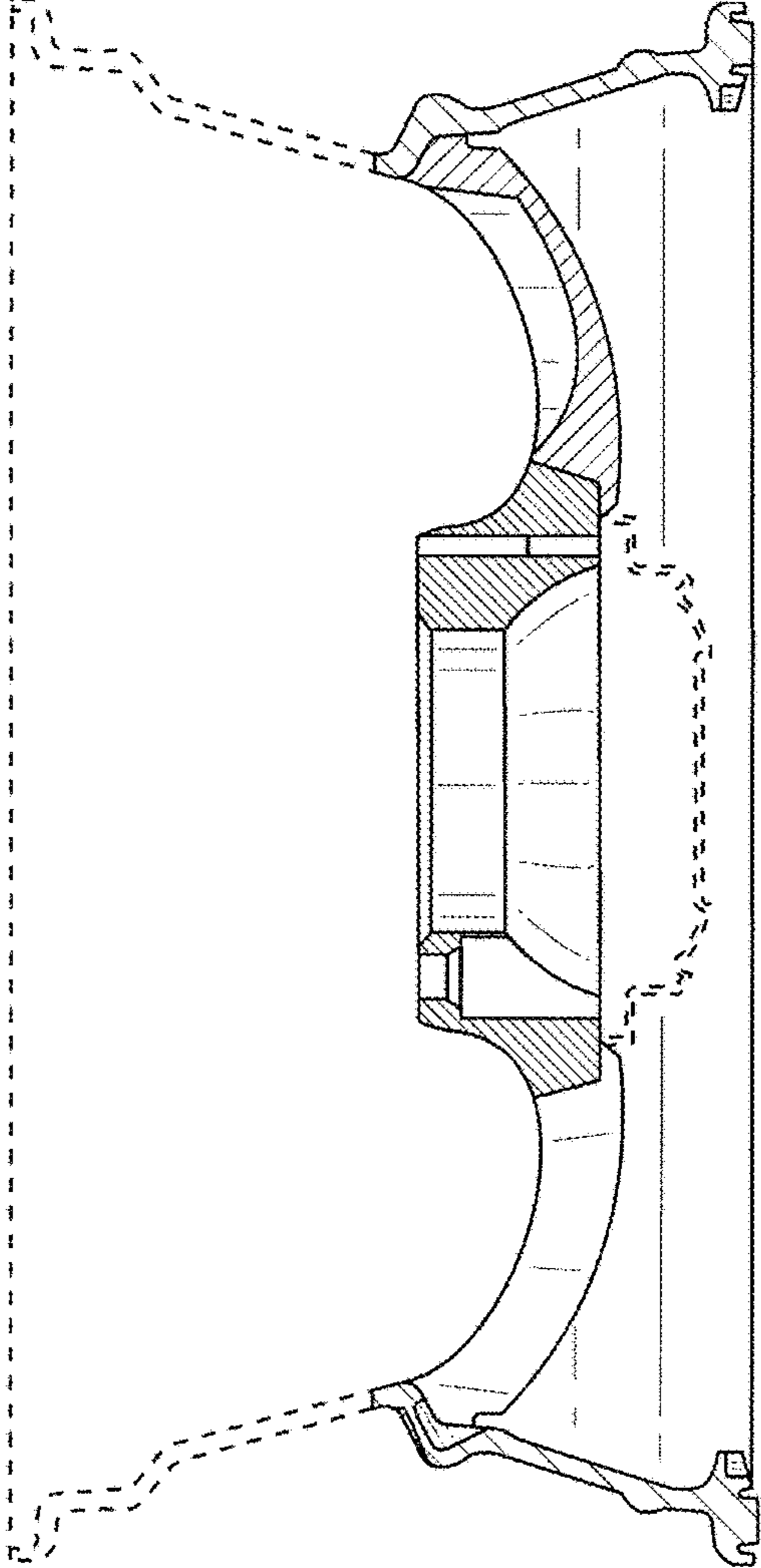


FIG. 3