



US00D852107S

(12) **United States Design Patent**
Hodges

(10) **Patent No.:** **US D852,107 S**

(45) **Date of Patent:** **** Jun. 25, 2019**

(54) **WHEEL**

(71) Applicant: **Frank Hodges**, Corona, CA (US)

(72) Inventor: **Frank Hodges**, Corona, CA (US)

(**) Term: **15 Years**

(21) Appl. No.: **29/616,161**

(22) Filed: **Sep. 1, 2017**

(51) **LOC (11) Cl.** **12-16**

(52) **U.S. Cl.**
USPC **D12/209**

(58) **Field of Classification Search**
USPC D12/204–213
CPC B60B 7/00; B60B 7/02; B60B 7/04; B60B 7/01; B60B 7/06; B60B 3/02; B60B 3/04; B60B 3/06; B60B 3/10; B60B 1/00; B60B 1/08; B60B 1/10; B60B 1/12
See application file for complete search history.

(56) **References Cited**

U.S. PATENT DOCUMENTS

D619,071 S * 7/2010 Christensen D12/211
D671,060 S * 11/2012 Baum D12/209

D679,958 S * 4/2013 Yang D7/629
D681,531 S * 5/2013 Fetherston D12/209
D684,913 S * 6/2013 Chen D12/209
D686,965 S * 7/2013 Pollmann D12/211
D713,317 S * 9/2014 Ajojima D12/211
D774,435 S * 12/2016 Vartola D12/209
D785,533 S * 5/2017 Pires D12/209
D789,270 S * 6/2017 Hodges D12/209
D795,151 S * 8/2017 Valencia Pollex D12/209
D798,787 S * 10/2017 Song D12/211
D830,938 S * 10/2018 Hodges D12/211
D831,556 S * 10/2018 Hodges D12/209
D842,198 S * 3/2019 Han D12/209

* cited by examiner

Primary Examiner — Stacia A Cadmus

(74) *Attorney, Agent, or Firm* — Eric B Alspaugh, APC

(57) **CLAIM**

The ornamental design for a wheel, as shown and described.

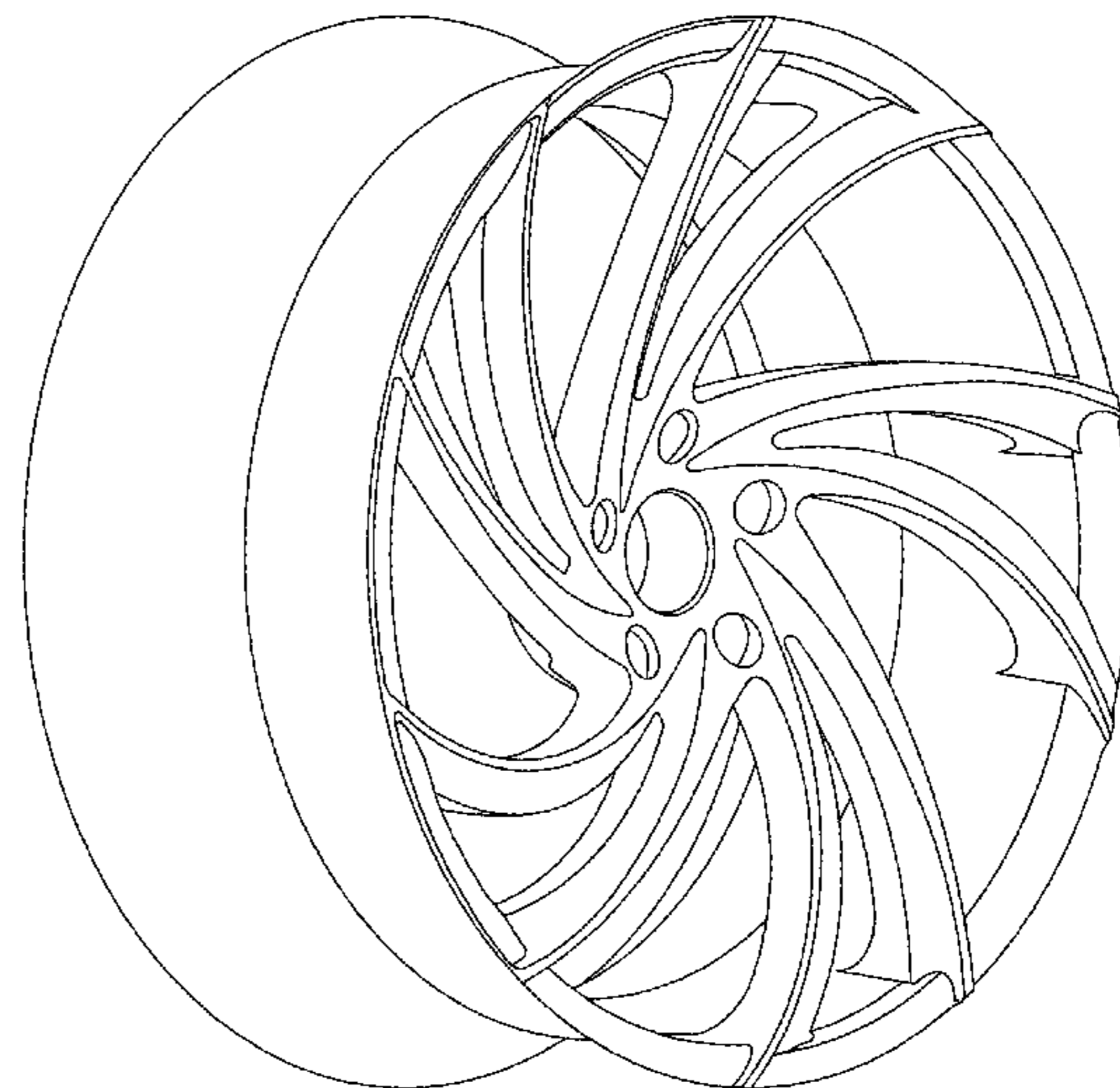
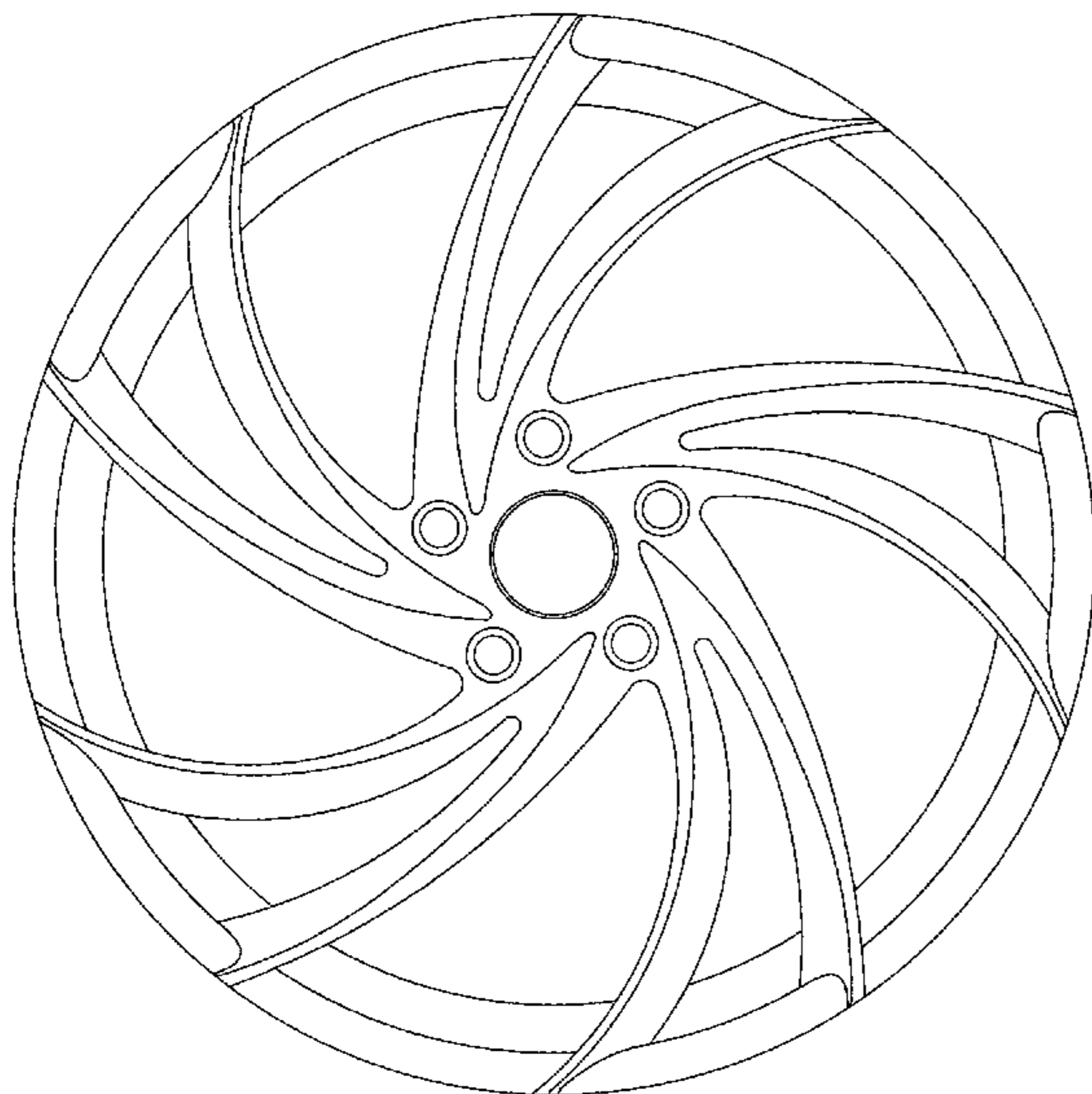
DESCRIPTION

FIG. 1 is a front view of a wheel showing my new design; and,

FIG. 2 is an oblique view thereof.

The portions shown in phantom provide context only but do not limit the claim and should not be considered part of the claimed design.

1 Claim, 2 Drawing Sheets



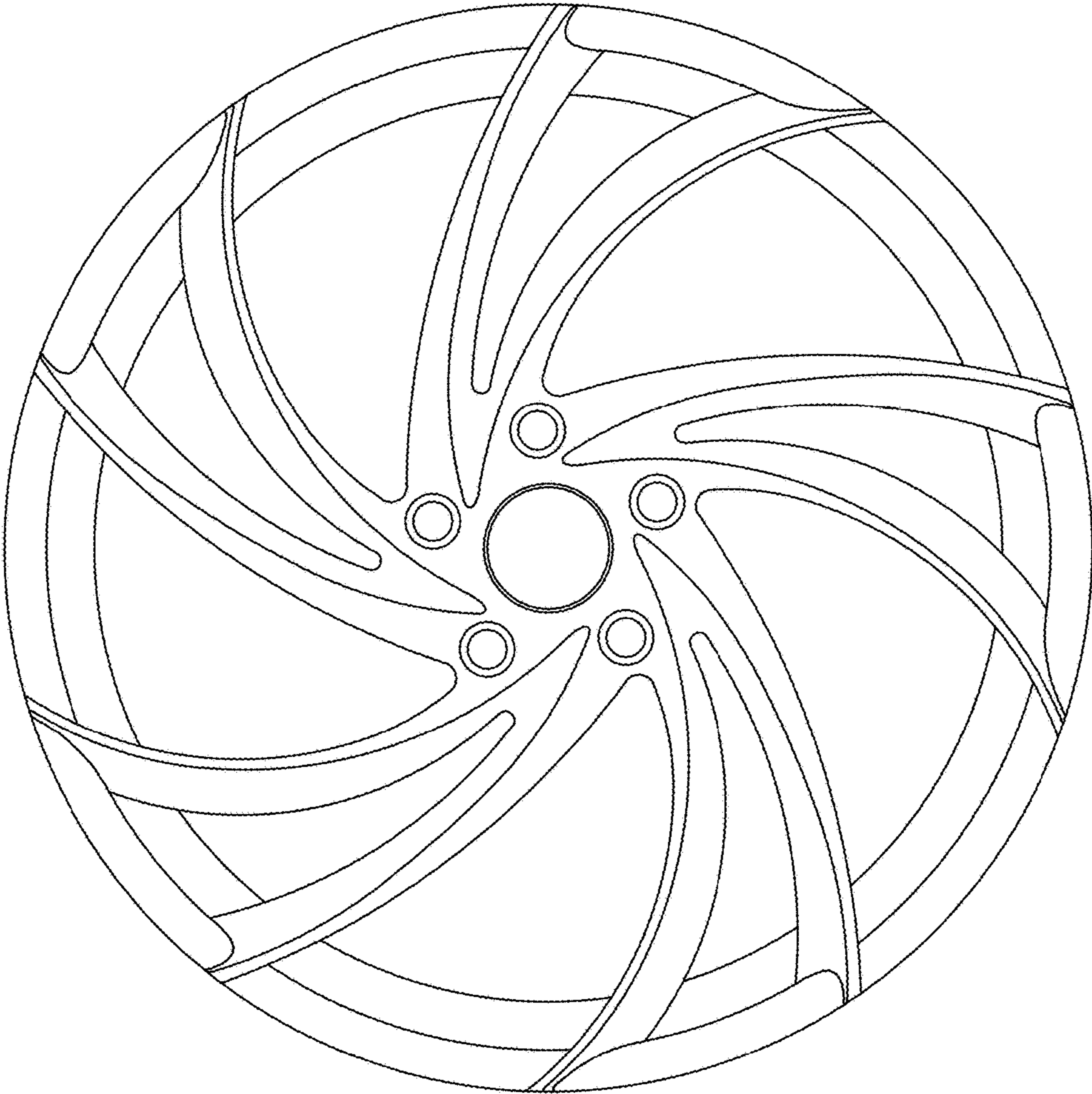


Fig. 1

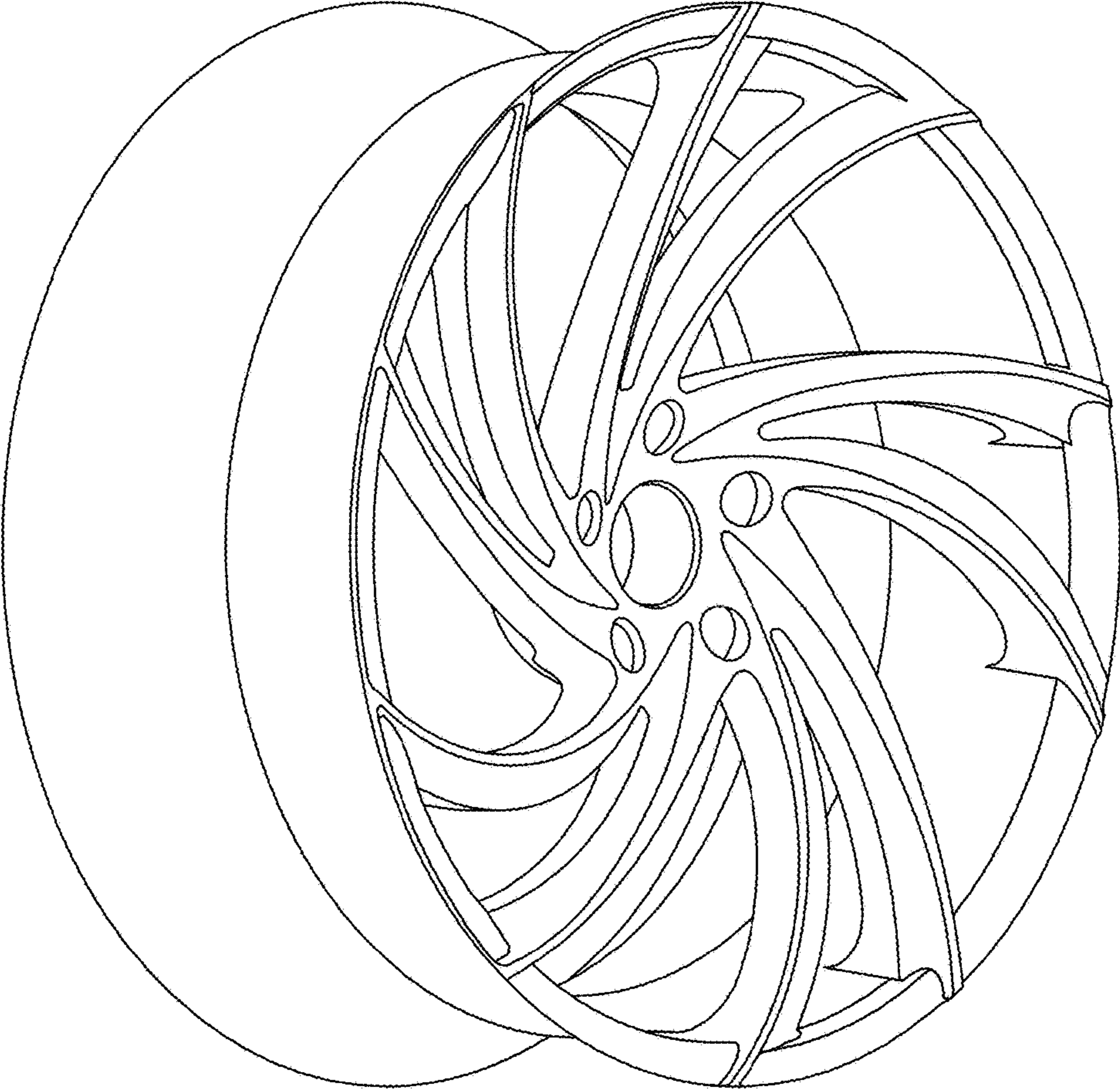


Fig. 2