



US00D852104S

(12) **United States Design Patent** (10) **Patent No.:** **US D852,104 S**  
**Smith** (45) **Date of Patent:** **\*\* Jun. 25, 2019**

(54) **DOOR**  
(71) Applicant: **Jaguar Land Rover Limited**, Whitley, Coventry (GB)  
(72) Inventor: **Luke Smith**, Coventry (GB)  
(73) Assignee: **Jaguar Land Rover Limited**, Whitley, Coventry (GB)  
(\*\*) Term: **15 Years**  
(21) Appl. No.: **29/626,461**  
(22) Filed: **Nov. 17, 2017**

(30) **Foreign Application Priority Data**  
May 24, 2017 (EM) ..... 004016863  
(51) **LOC (11) Cl.** ..... **12-16**  
(52) **U.S. Cl.**  
USPC ..... **D12/196**  
(58) **Field of Classification Search**  
USPC ..... D12/190, 193, 195, 196, 414  
CPC ..... E05B 81/56; E05B 81/80; E05B 65/00;  
E05B 65/06; E05B 65/10; E05B 65/12;  
E05B 79/06; B60J 5/04  
See application file for complete search history.

(56) **References Cited**  
U.S. PATENT DOCUMENTS  
D468,675 S \* 1/2003 Murkett ..... D12/196  
D558,113 S \* 12/2007 Leclercq ..... D12/196  
D573,522 S \* 7/2008 Sato ..... D12/196  
D580,332 S \* 11/2008 Gueler ..... D12/196  
D583,288 S \* 12/2008 Leclercq ..... D12/196  
D593,016 S \* 5/2009 Habib ..... D12/196  
D593,471 S \* 6/2009 Larson ..... D12/196  
D593,918 S \* 6/2009 Larson ..... D12/196  
D601,072 S \* 9/2009 Giachin ..... D12/196

D615,017 S \* 5/2010 Smith ..... D12/195  
D616,348 S \* 5/2010 Rosenbohm ..... D12/195  
D620,415 S \* 7/2010 Froehlich ..... D12/196  
D629,730 S \* 12/2010 Schneider ..... D12/196  
D633,022 S \* 2/2011 Hwang ..... D12/195  
D633,023 S \* 2/2011 Hwang ..... D12/195  
D636,317 S \* 4/2011 Matei ..... D12/196  
D645,388 S \* 9/2011 Kumai ..... D12/196

(Continued)

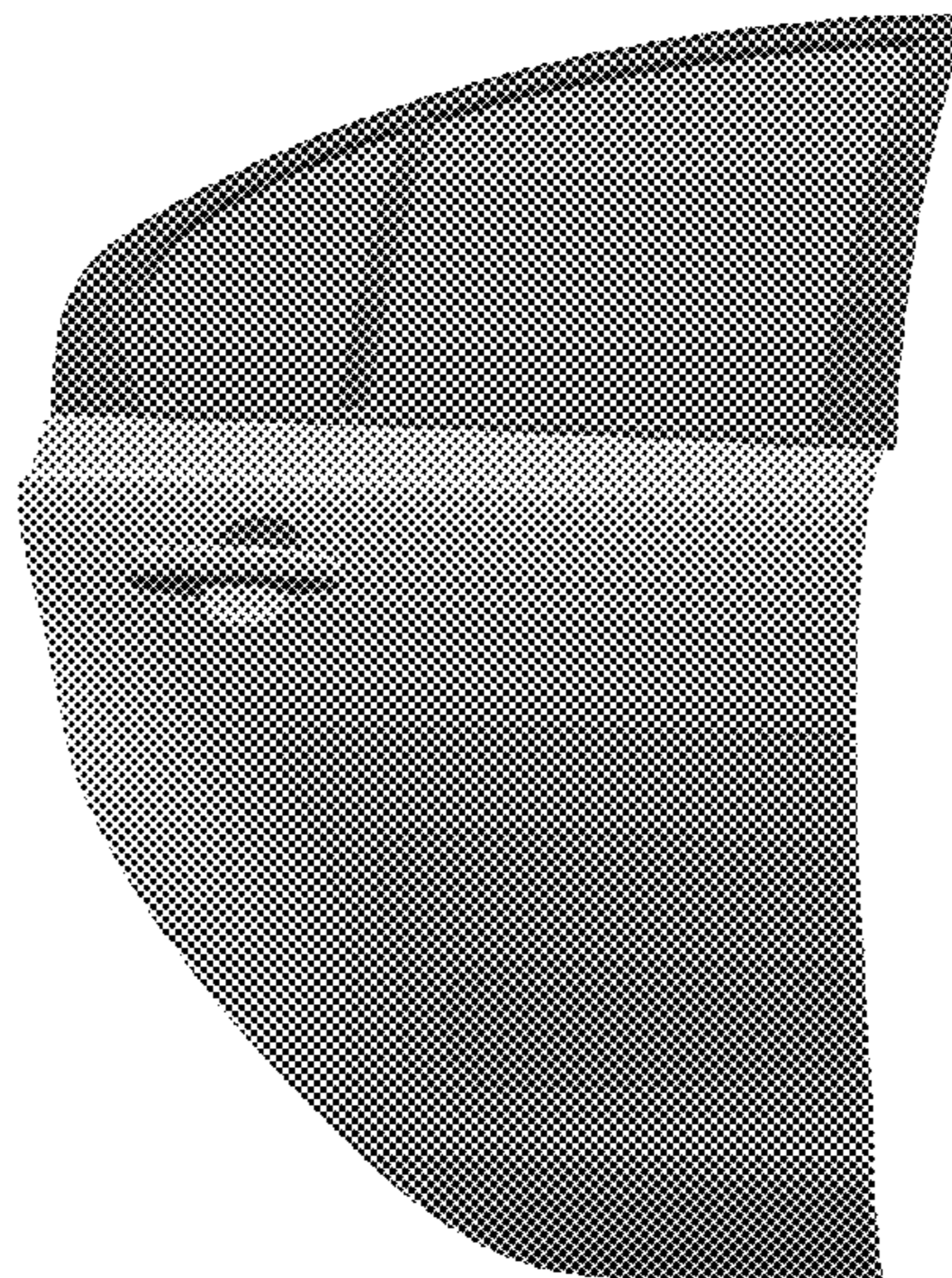
*Primary Examiner* — Susan Bennett Hattan  
*Assistant Examiner* — Suzanne E Tisdell  
(74) *Attorney, Agent, or Firm* — Wood Herron & Evans LLP

(57) **CLAIM**  
The ornamental design for a door, as shown and described.

**DESCRIPTION**

FIG. 1 is a front right perspective view of a door for a vehicle according to the present invention.  
FIG. 2 is a front left perspective view of the door of FIG. 1.  
FIG. 3 is a rear left perspective view thereof.  
FIG. 4 is a rear right perspective view thereof.  
FIG. 5 is a front view thereof.  
FIG. 6 is a rear view thereof.  
FIG. 7 is a right side view thereof.  
FIG. 8 is a left side view thereof.  
FIG. 9 is a top view thereof.  
FIG. 10 is a bottom view thereof; and,  
FIG. 11 is a front view of the door shown in FIGS. 1-10, but mounted on a vehicle, with the rest of the vehicle shown in de-emphasized and half-tone portions so as to illustrate environmental structure. These de-emphasized and half-tone portions form no part of the claimed invention. More particularly, in FIG. 11, the inventive door is shown within the broken line, and the elements shown outside the broken line form no part of the claimed invention, but are instead included to show environmental aspects thereof.

**1 Claim, 10 Drawing Sheets**



(56)

References Cited

U.S. PATENT DOCUMENTS

D653,187 S \* 1/2012 Tomatsu ..... D12/196  
 D665,321 S \* 8/2012 Huet ..... D12/196  
 D674,328 S \* 1/2013 Ikuma ..... D12/196  
 D676,366 S \* 2/2013 Yamada ..... D12/196  
 D695,178 S \* 12/2013 Tada ..... D12/196  
 D695,663 S \* 12/2013 Suga ..... D12/196  
 D699,654 S \* 2/2014 Okue ..... D12/196  
 D700,875 S \* 3/2014 Jevremovic ..... D12/196  
 D701,809 S \* 4/2014 Hildebrand ..... D12/196  
 D703,123 S \* 4/2014 Hildebrand ..... D12/196  
 D705,149 S \* 5/2014 Sakae ..... D12/196  
 D758,270 S \* 6/2016 Zadnik ..... D12/196  
 D762,541 S \* 8/2016 Jo ..... D12/196  
 D763,156 S \* 8/2016 Jo ..... D12/196  
 D765,571 S \* 9/2016 Faghihzadeh ..... D12/196  
 D772,758 S \* 11/2016 Frascella ..... D12/92  
 D772,772 S \* 11/2016 Frascella ..... D12/196  
 D775,567 S \* 1/2017 Faghihzadeh ..... D12/196  
 D776,593 S \* 1/2017 Schneider ..... D12/196  
 D779,407 S \* 2/2017 Bae ..... D12/196  
 D781,194 S \* 3/2017 Bae ..... D12/196  
 D785,529 S \* 5/2017 Kyung ..... D12/196  
 D785,531 S \* 5/2017 Lim ..... D12/196  
 D786,761 S \* 5/2017 Luk ..... D12/196  
 D801,246 S \* 10/2017 Lee ..... D12/196  
 D803,121 S \* 11/2017 Granlund ..... D12/196  
 D803,122 S \* 11/2017 Granlund ..... D12/196  
 2003/0140566 A1 \* 7/2003 Sommer ..... B60J 5/0406  
 49/502  
 2003/0177796 A1 \* 9/2003 Dimig ..... E05B 79/06  
 70/237

2009/0079228 A1 \* 3/2009 Sturt ..... B60N 2/78  
 296/153  
 2009/0121515 A1 \* 5/2009 Shiono ..... B60N 3/026  
 296/146.6  
 2010/0301618 A1 \* 12/2010 Costigan ..... E05B 77/06  
 292/93  
 2011/0219700 A1 \* 9/2011 Grudzinski ..... B60J 10/40  
 49/493.1  
 2012/0272578 A1 \* 11/2012 Ellinghaus ..... E05D 15/101  
 49/358  
 2013/0020816 A1 \* 1/2013 Saitou ..... E05B 79/06  
 292/336.3  
 2013/0055643 A1 \* 3/2013 Setina ..... B60J 11/06  
 49/463  
 2013/0341961 A1 \* 12/2013 Mori ..... B60J 5/04  
 296/146.2  
 2014/0132025 A1 \* 5/2014 Usami ..... B60J 1/2063  
 296/97.8  
 2015/0035310 A1 \* 2/2015 Yamaguchi ..... B60R 13/0206  
 296/153  
 2015/0329057 A1 \* 11/2015 Tiboni ..... B60R 13/0243  
 296/37.13  
 2015/0360623 A1 \* 12/2015 Larsen ..... B60R 13/02  
 296/29  
 2016/0114658 A1 \* 4/2016 Yokota ..... B60J 10/45  
 49/489.1  
 2016/0160540 A1 \* 6/2016 Bejune ..... E05B 77/06  
 292/196  
 2016/0187107 A1 \* 6/2016 Johnston ..... F41H 7/00  
 89/36.08  
 2016/0280129 A1 \* 9/2016 Newbound ..... B60R 13/0237  
 2018/0051492 A1 \* 2/2018 Smith ..... B60J 5/04  
 2018/0051493 A1 \* 2/2018 Krishnan ..... G07C 9/00182

\* cited by examiner



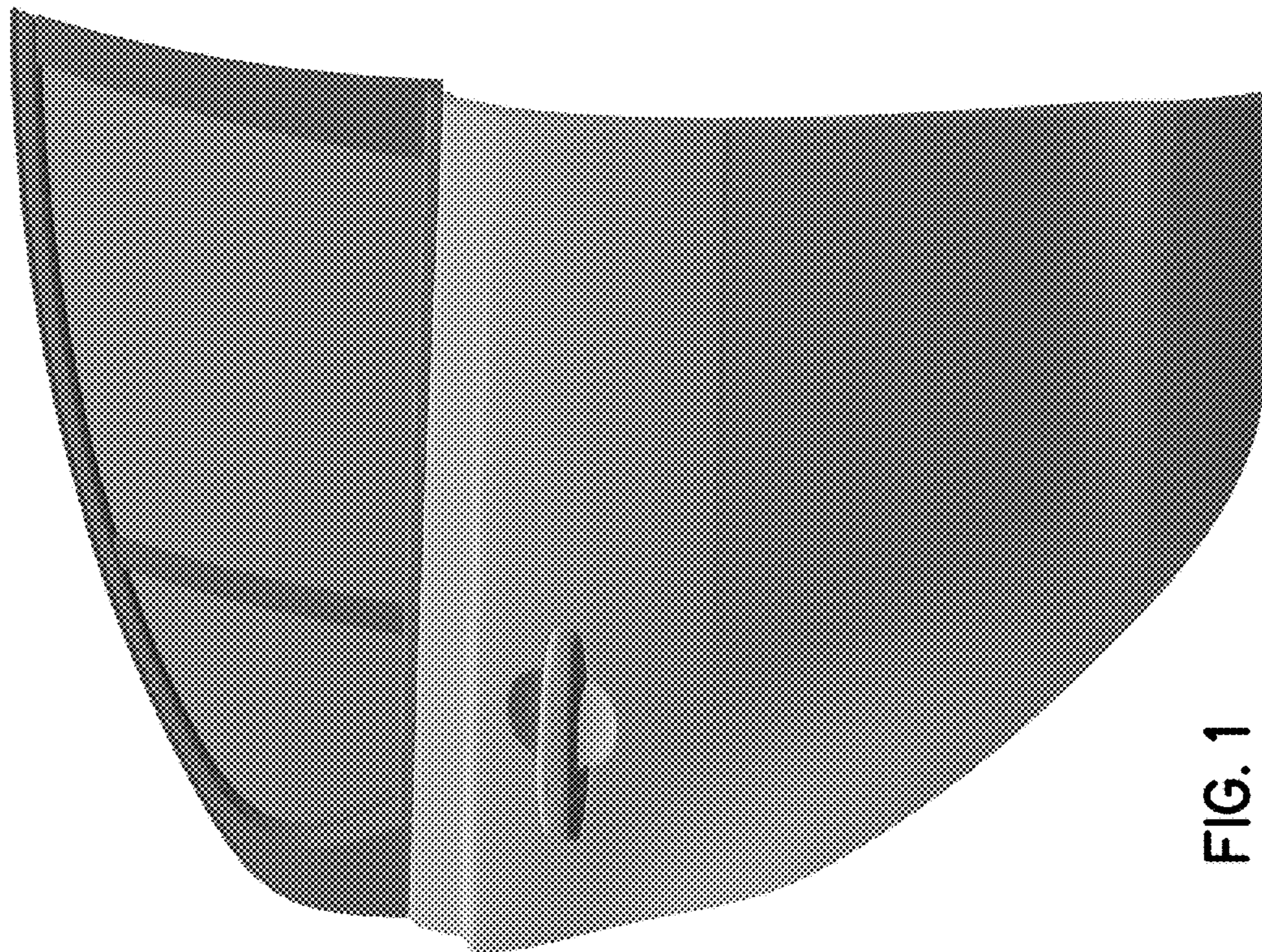


FIG. 1



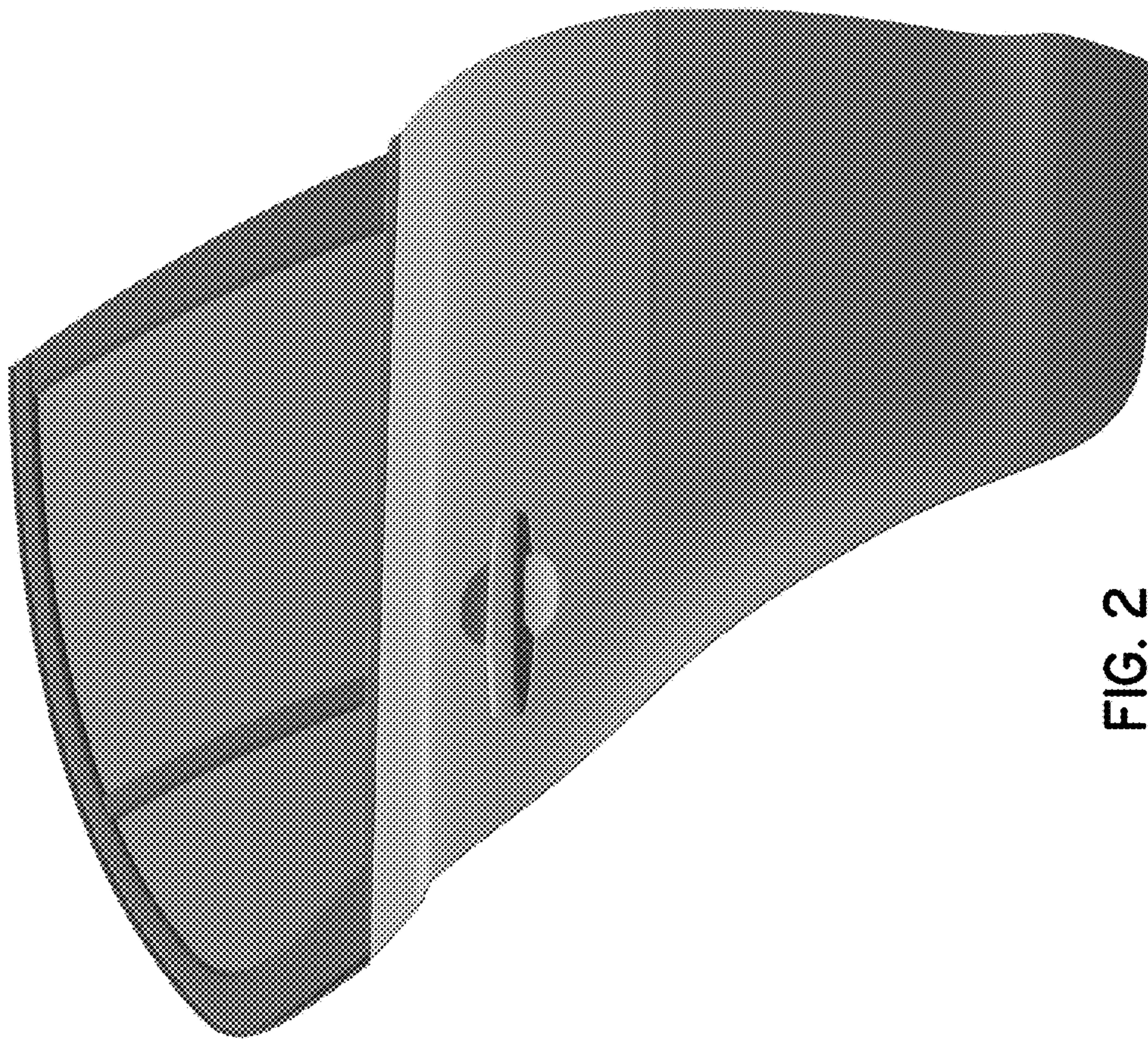


FIG. 2



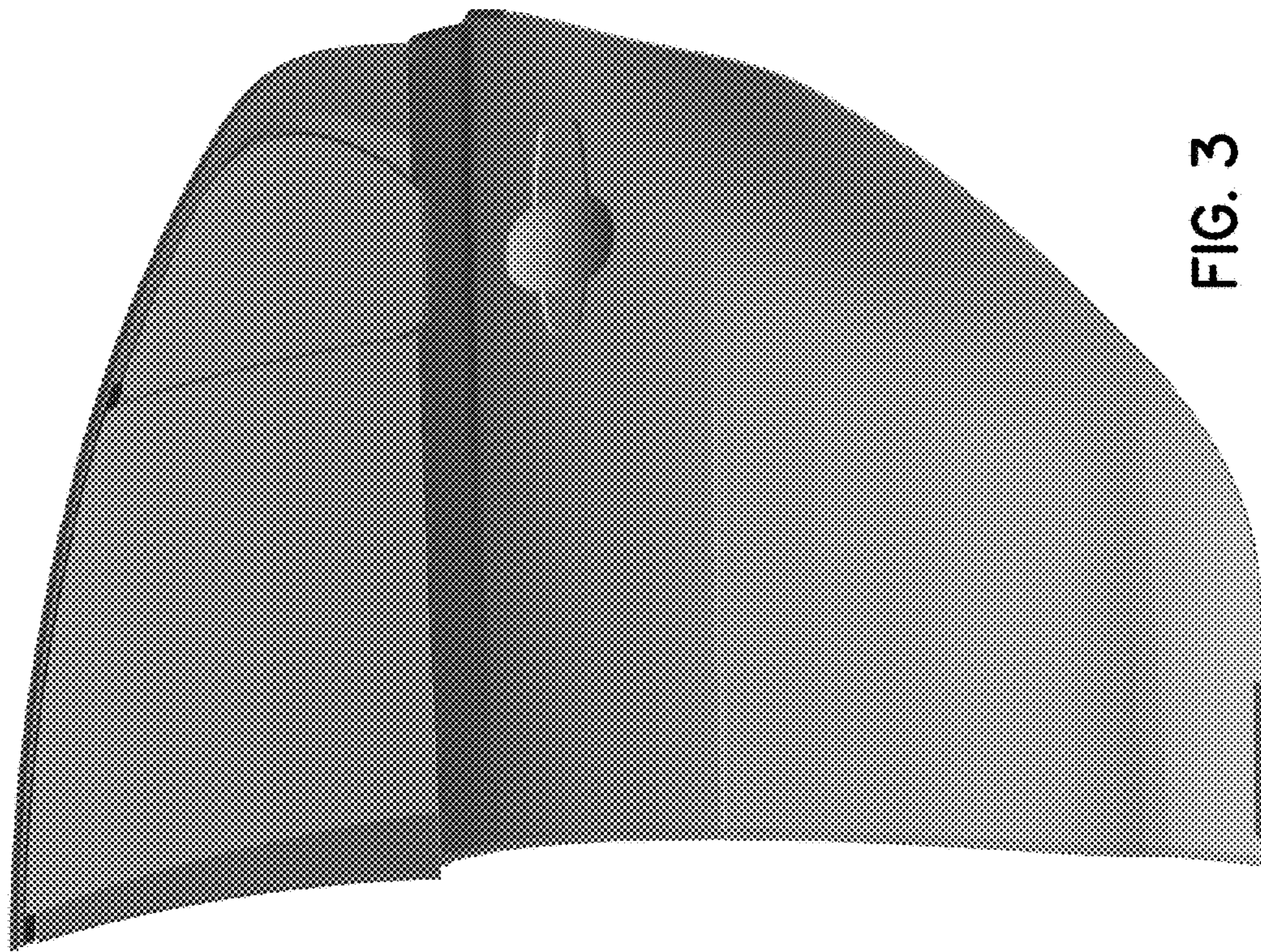


FIG. 3



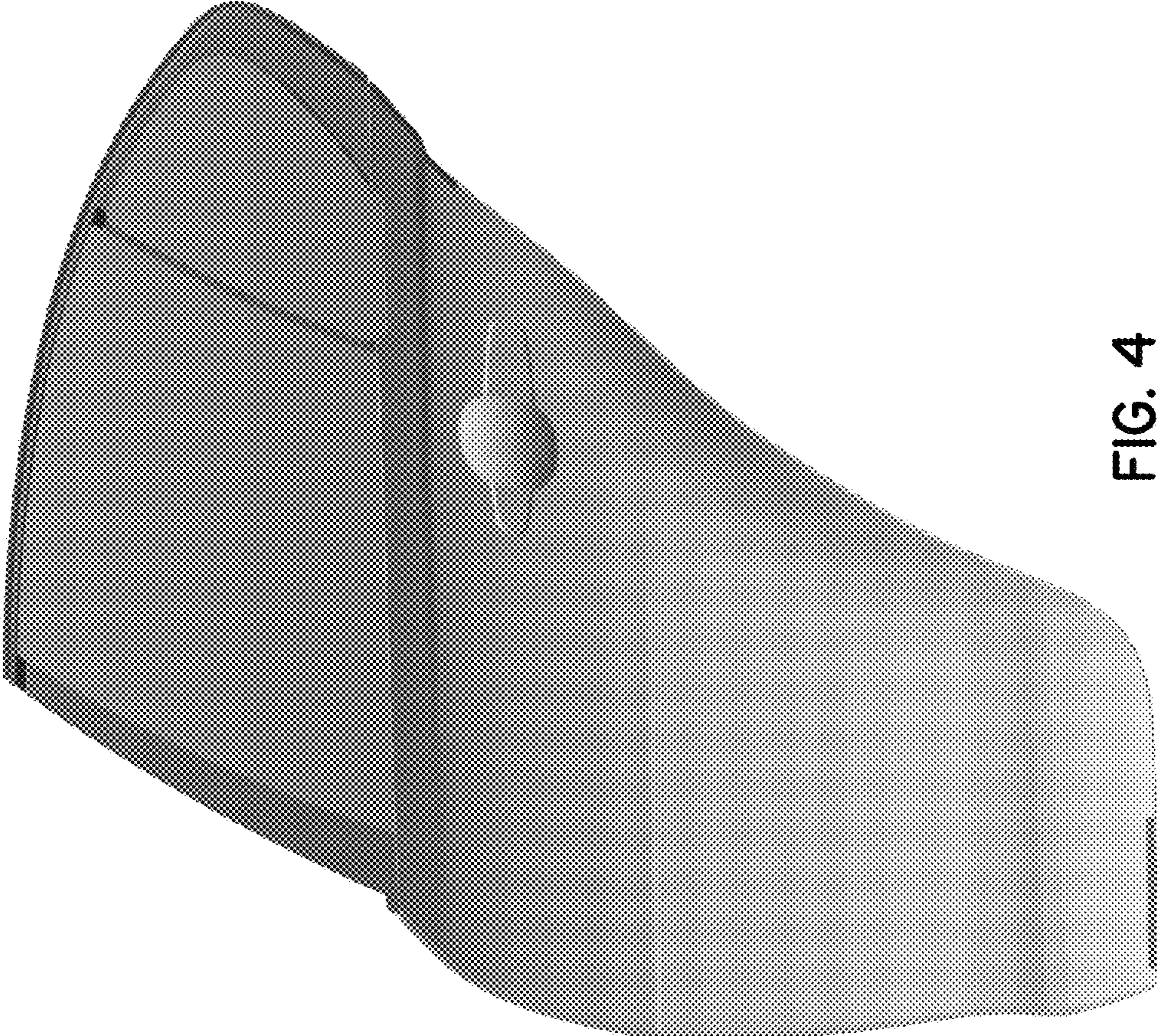


FIG. 4



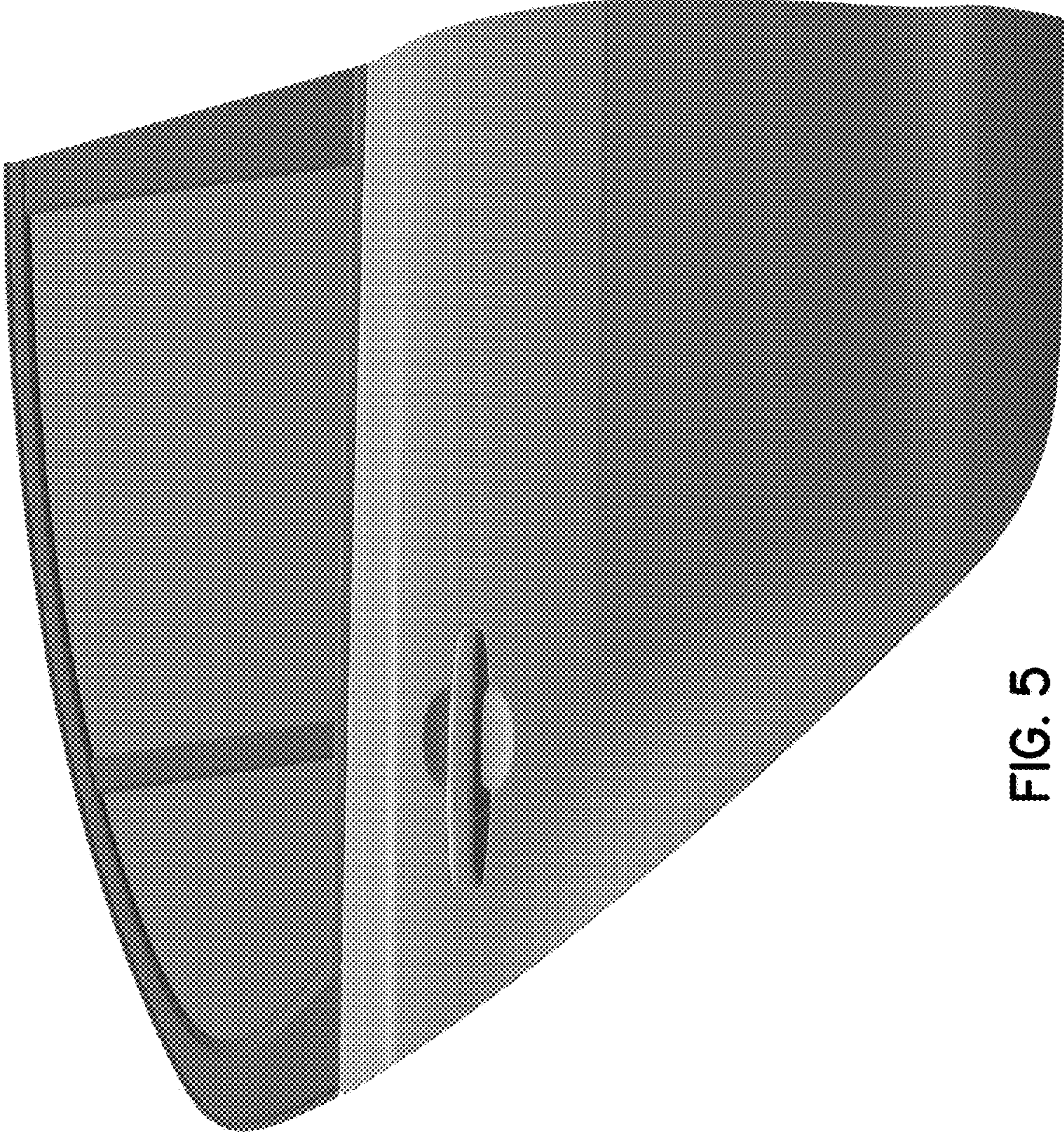


FIG. 5



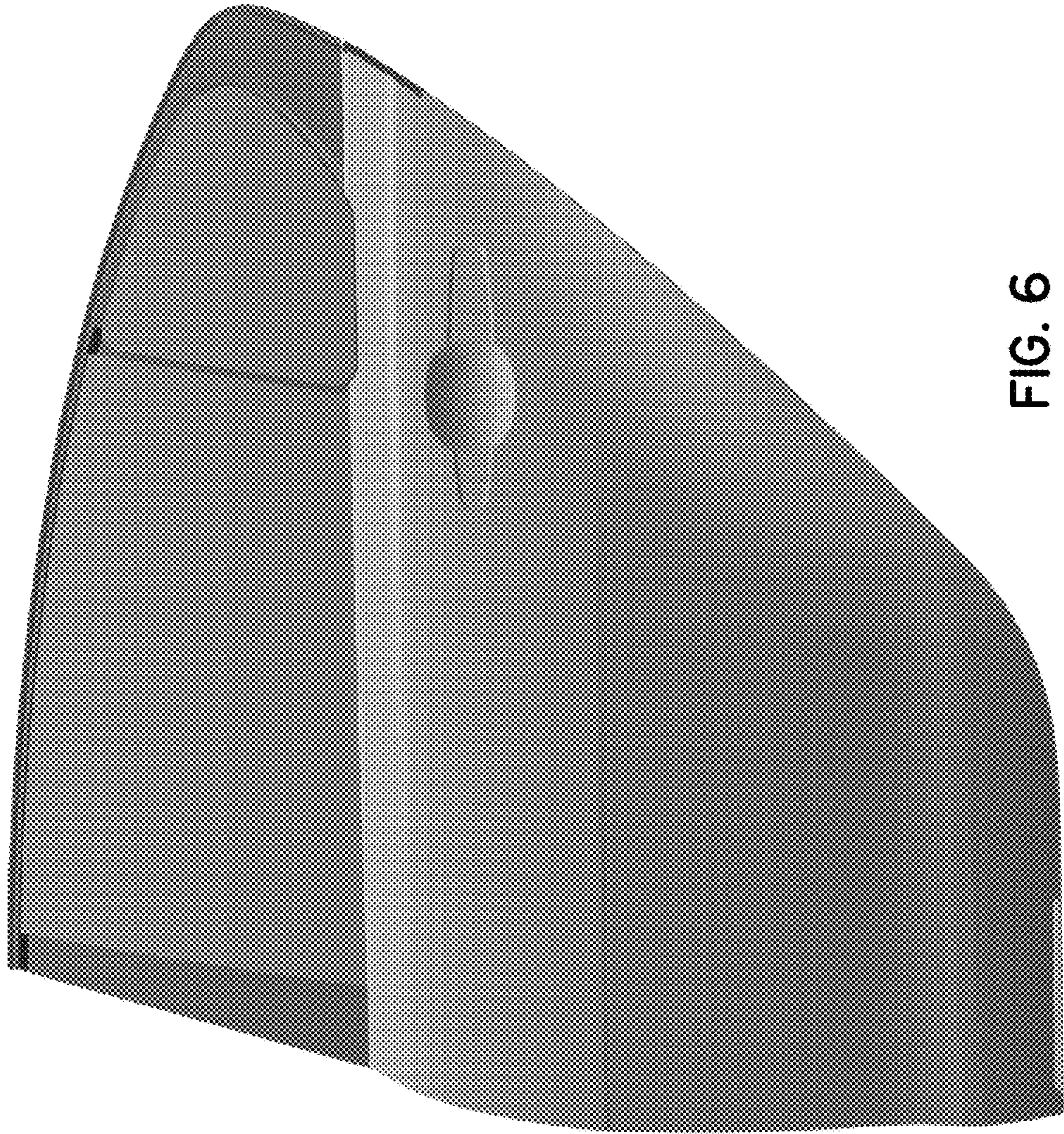


FIG. 6



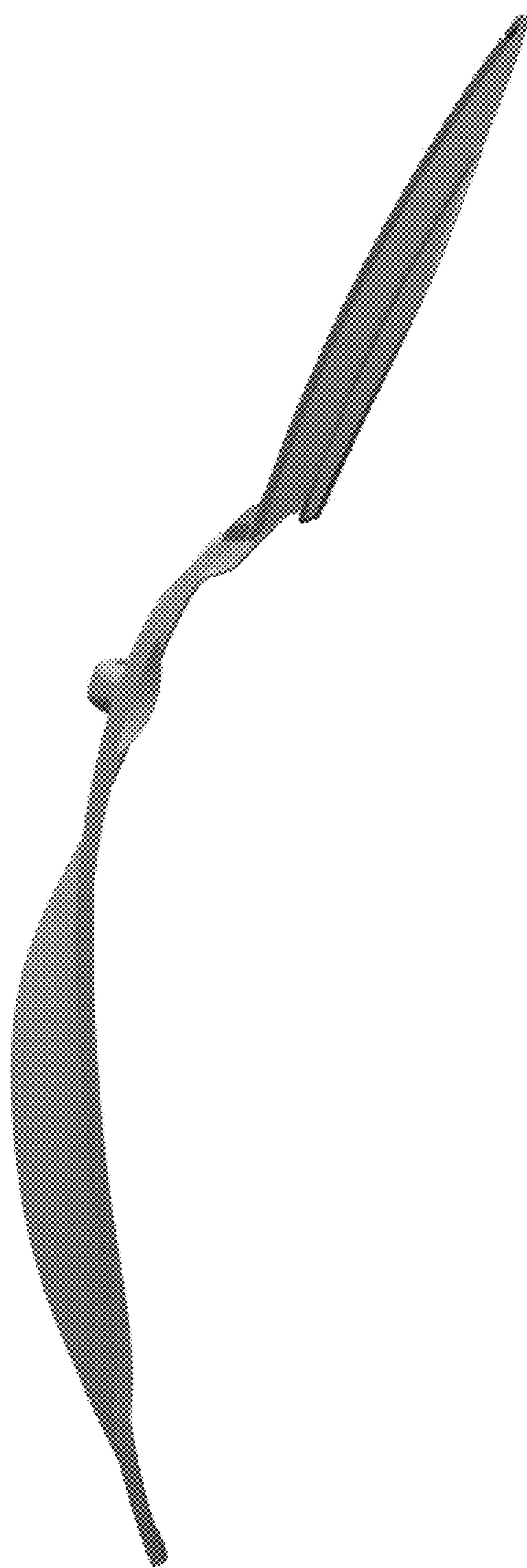


FIG. 7



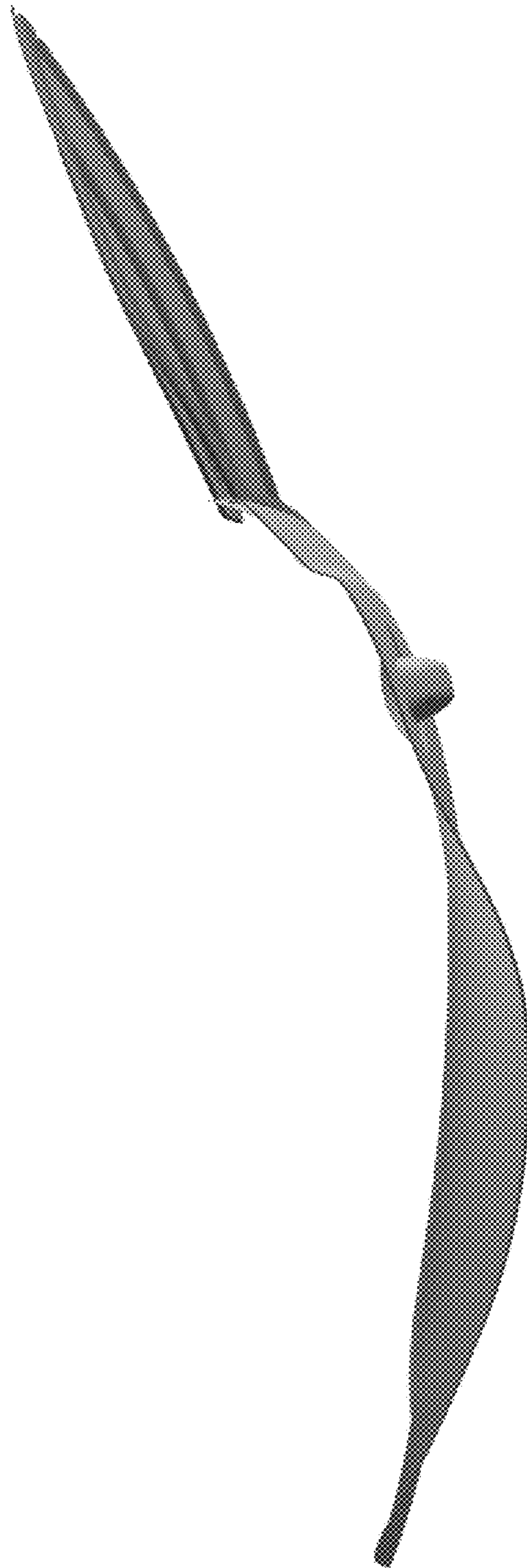


FIG. 8



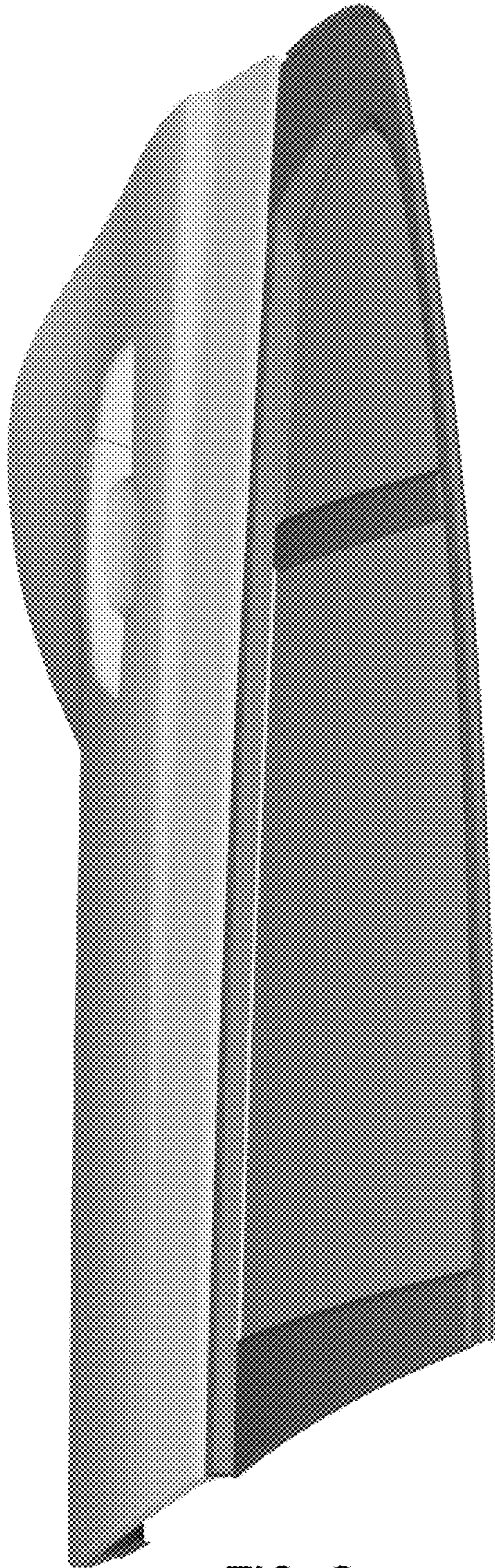


FIG. 9

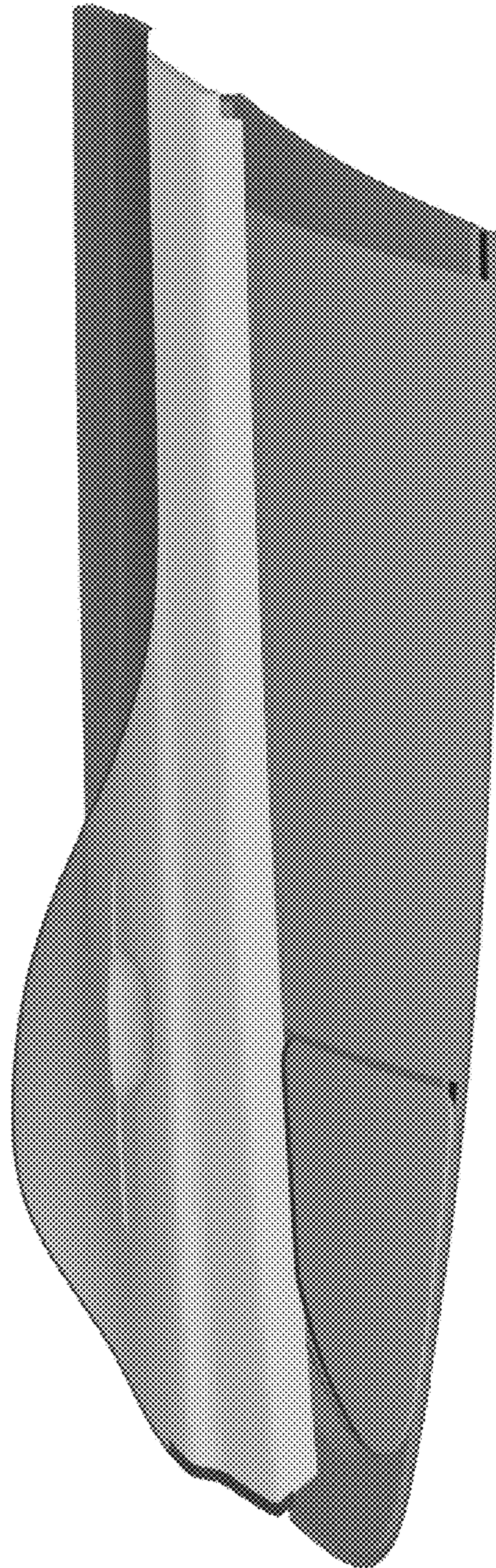


FIG. 10



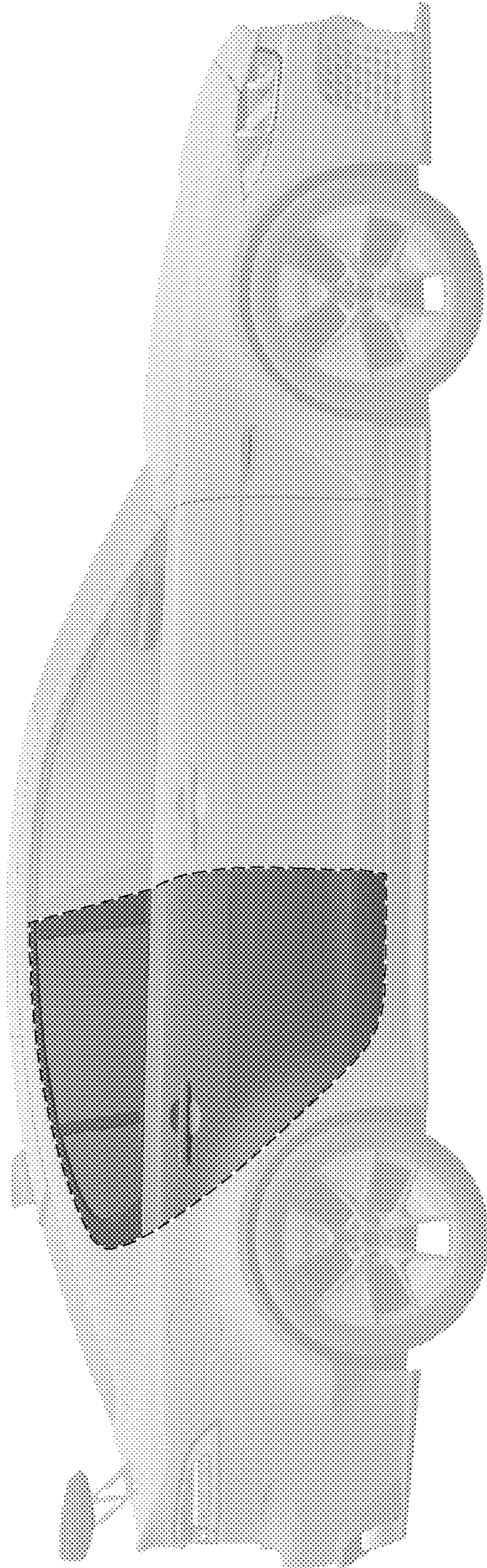


FIG. 11