



US00D852103S

(12) **United States Design Patent**
Hallgren

(10) **Patent No.:** **US D852,103 S**

(45) **Date of Patent:** **** Jun. 25, 2019**

(54) **BODY PART FOR VEHICLE**

(71) Applicant: **Volvo Construction Equipment AB,**
Eskilstuna (SE)

(72) Inventor: **Michael Hallgren,** Pixbo (SE)

(73) Assignee: **Volvo Construction Equipment AB,**
Eskilstuna (SE)

(**) Term: **15 Years**

(21) Appl. No.: **29/599,757**

(22) Filed: **Apr. 6, 2017**

(30) **Foreign Application Priority Data**

Apr. 6, 2017 (EM) 003844380
Apr. 6, 2017 (EM) 003844406
Apr. 6, 2017 (EM) 003844638

(51) **LOC (11) Cl.** **12-16**

(52) **U.S. Cl.**
USPC **D12/196**

(58) **Field of Classification Search**
USPC D12/14, 86, 90, 91, 92, 93, 95, 96, 97,
D12/99, 163, 164, 171, 172, 175, 181,
D12/184, 190, 196, 216; D15/10, 20,
D15/22-26, 28, 30, 33
CPC E01C 23/00; E01C 23/065; E01C 23/88;
B60R 19/02; B60R 19/48; B60R 19/52;
B60R 19/56

See application file for complete search history.

(56) **References Cited**

U.S. PATENT DOCUMENTS

D519,069 S * 4/2006 Clark D12/169
D581,319 S * 11/2008 Longpre D12/107
D591,774 S * 5/2009 Kokitkar D15/28
D591,775 S * 5/2009 Kokitkar D15/28
D660,874 S * 5/2012 Werner D15/10

D696,697 S * 12/2013 Cooksey D15/10
RE46,247 E * 12/2016 Hanson D12/169
D800,793 S * 10/2017 Loew D15/20

(Continued)

OTHER PUBLICATIONS

Images of Volvo Construction Equipment Hauler Model A45G,
disclosed at Bauma Trade Fair, Munich, Germany, Apr. 11-17, 2016.

(Continued)

Primary Examiner — Ian Simmons

Assistant Examiner — Yolanda Robinson

(74) *Attorney, Agent, or Firm* — Tucker Ellis LLP

(57) **CLAIM**

The ornamental design for a body part for vehicle, as shown
and described.

DESCRIPTION

FIG. 1 is a perspective view of a body part for vehicle
(namely, for the left-hand side of the vehicle) showing my
new design.

FIG. 2 is another perspective view thereof.

FIG. 3 is a front view thereof.

FIG. 4 is a rear view thereof.

FIG. 5 is a left side thereof.

FIG. 6 is a right side thereof.

FIG. 7 is a top view thereof.

FIG. 8 is a bottom view thereof.

FIG. 9 is a perspective view of another embodiment of the
body part for vehicle (namely, for the right-hand side of the
vehicle).

FIG. 10 is a perspective view thereof.

FIG. 11 is a front view thereof.

FIG. 12 is a rear view thereof.

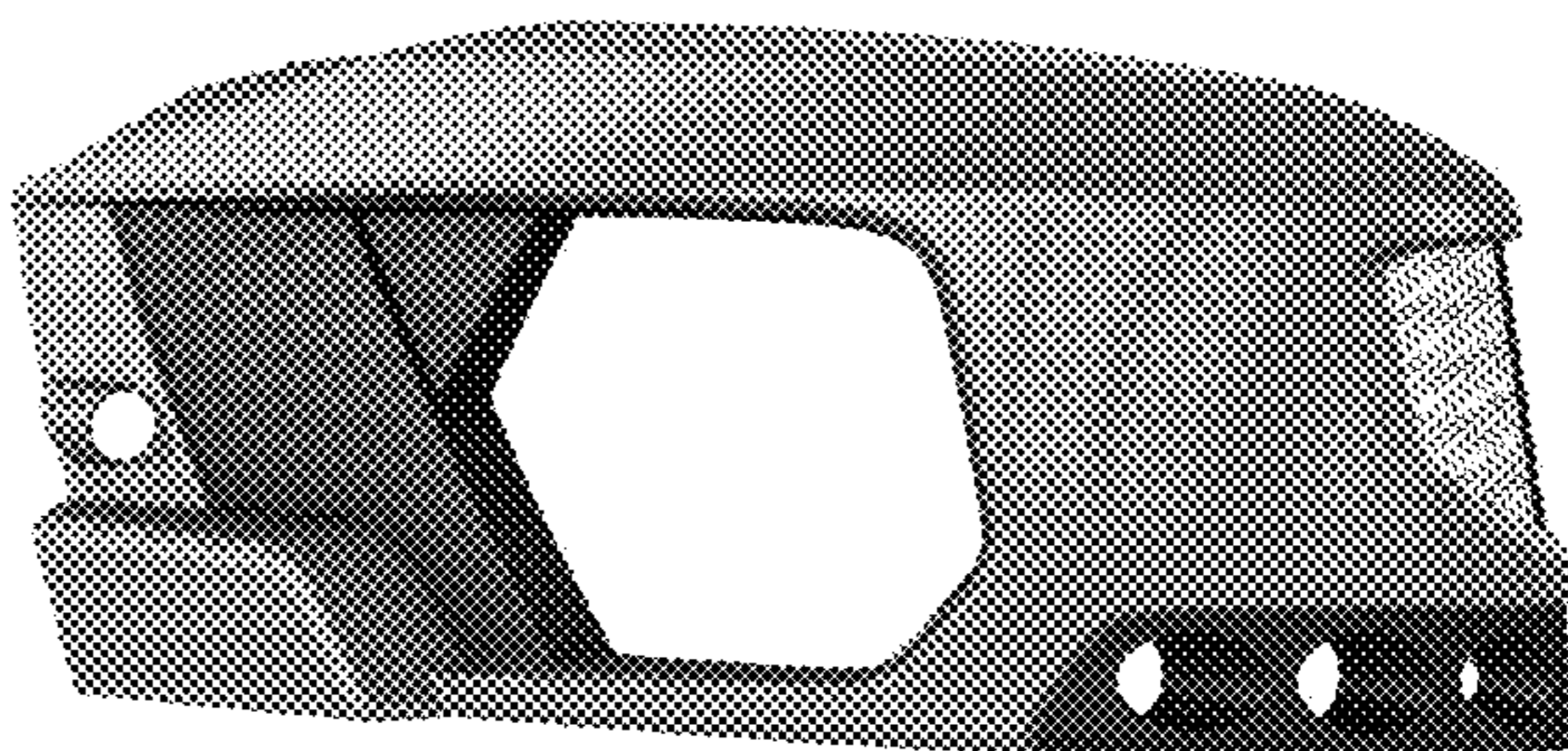
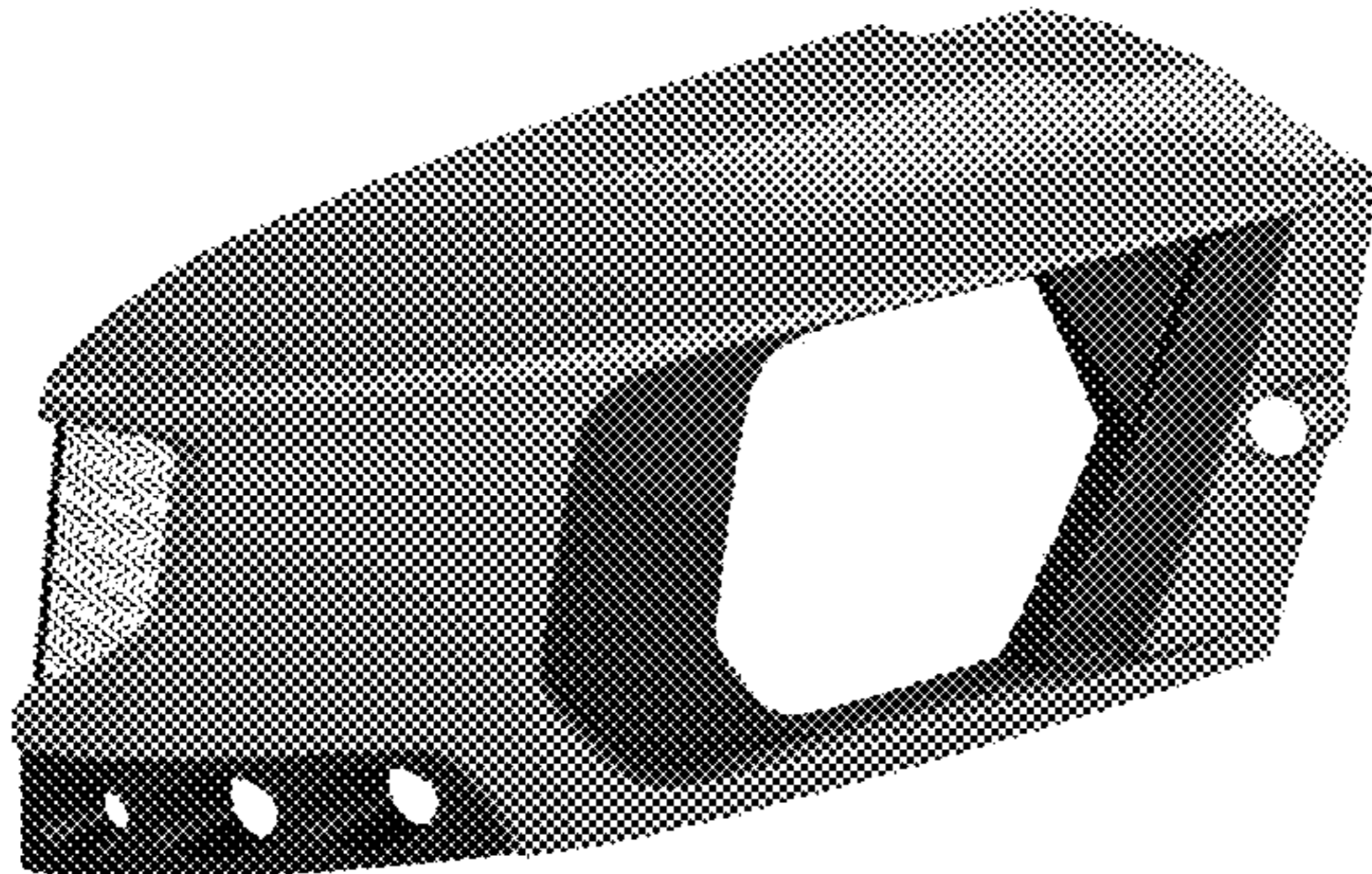
FIG. 13 is a left side thereof.

FIG. 14 is a right side thereof.

FIG. 15 is a top view thereof; and,

FIG. 16 is a bottom view thereof.

1 Claim, 8 Drawing Sheets



(56)

References Cited

U.S. PATENT DOCUMENTS

D800,797 S * 10/2017 Loew D15/22
D808,317 S * 1/2018 Piscitelli D12/190
D833,925 S * 11/2018 Waterhouse D12/169
D840,293 S * 2/2019 Koo D12/169
D841,548 S * 2/2019 Dharmawan D12/196
2012/0292931 A1* 11/2012 Mizoguchi B60R 19/24
293/102
2013/0062894 A1* 3/2013 Critchley B60R 19/18
293/149
2017/0253221 A1* 9/2017 Verhoff B62D 21/152

OTHER PUBLICATIONS

Product Brochure for Volvo Construction Equipment Hauler Model A45G, dated Oct. 2016.

Images of Volvo Construction Equipment Excavator Model EC950E, disclosed at Bauma Trade Fair, Munich, Germany, Apr. 11-17, 2016.

Images of Volvo Construction Equipment Excavator Model EC750E, disclosed to public May 2016.

* cited by examiner

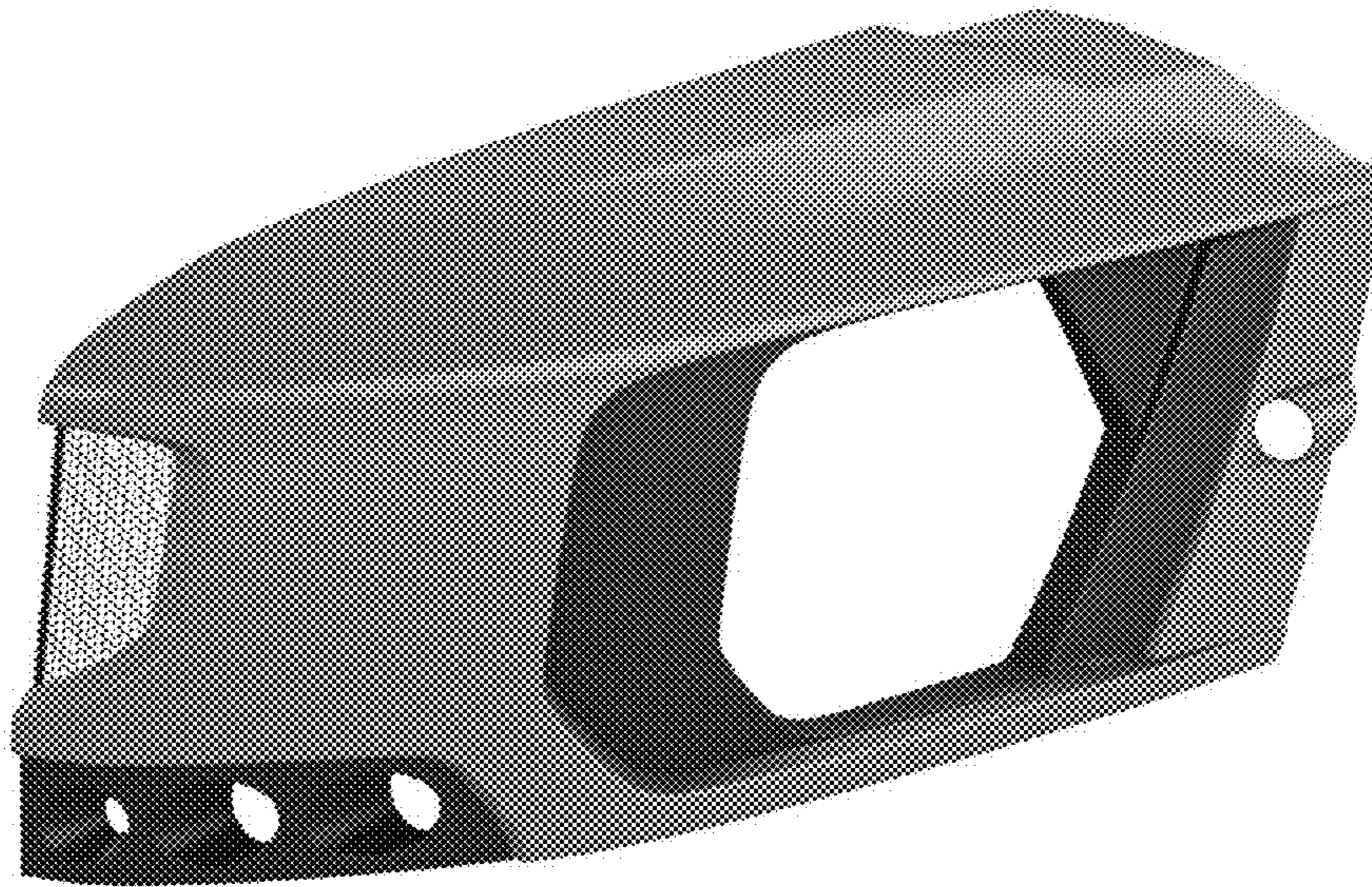


FIG. 1

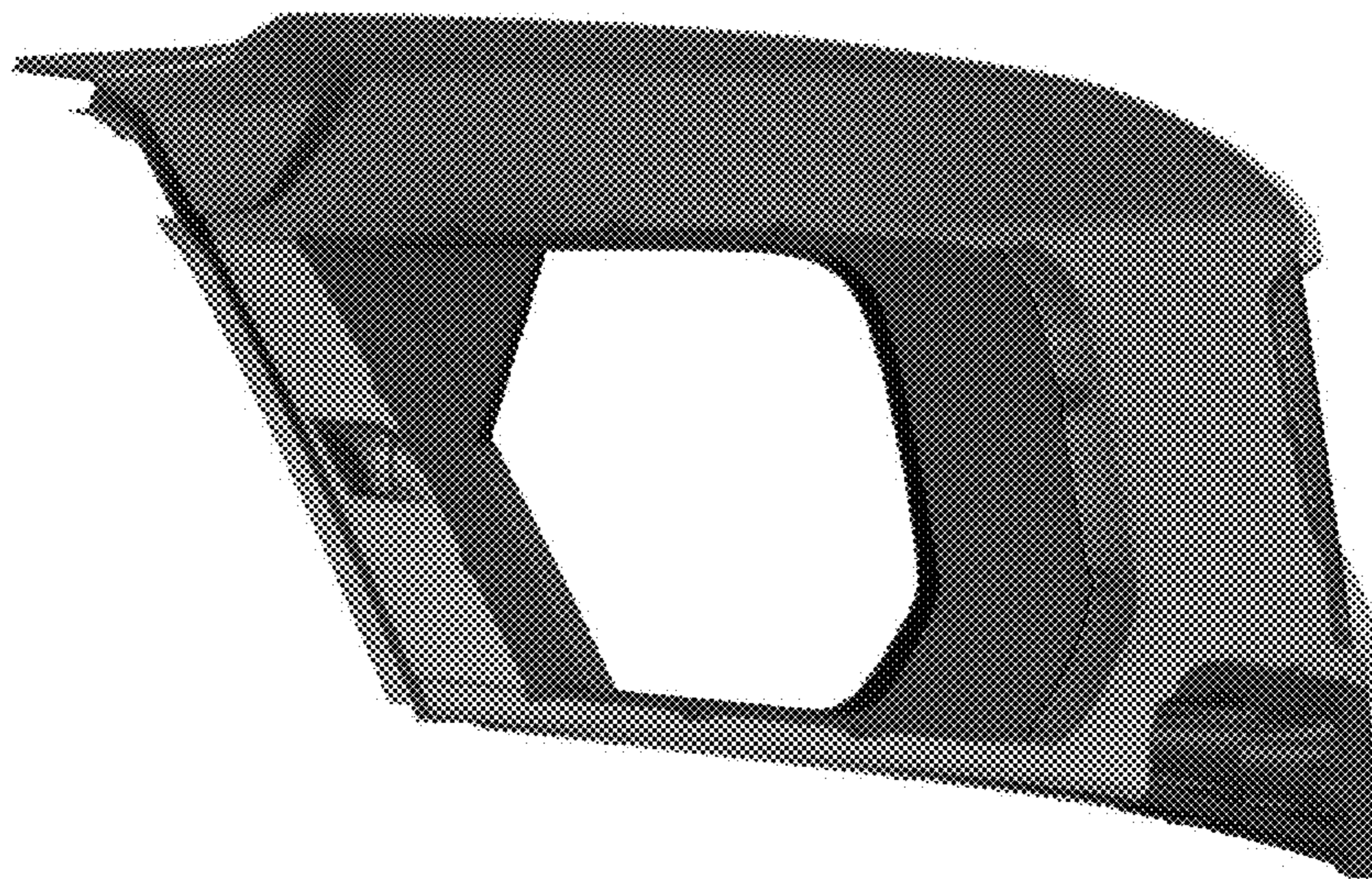


FIG. 2

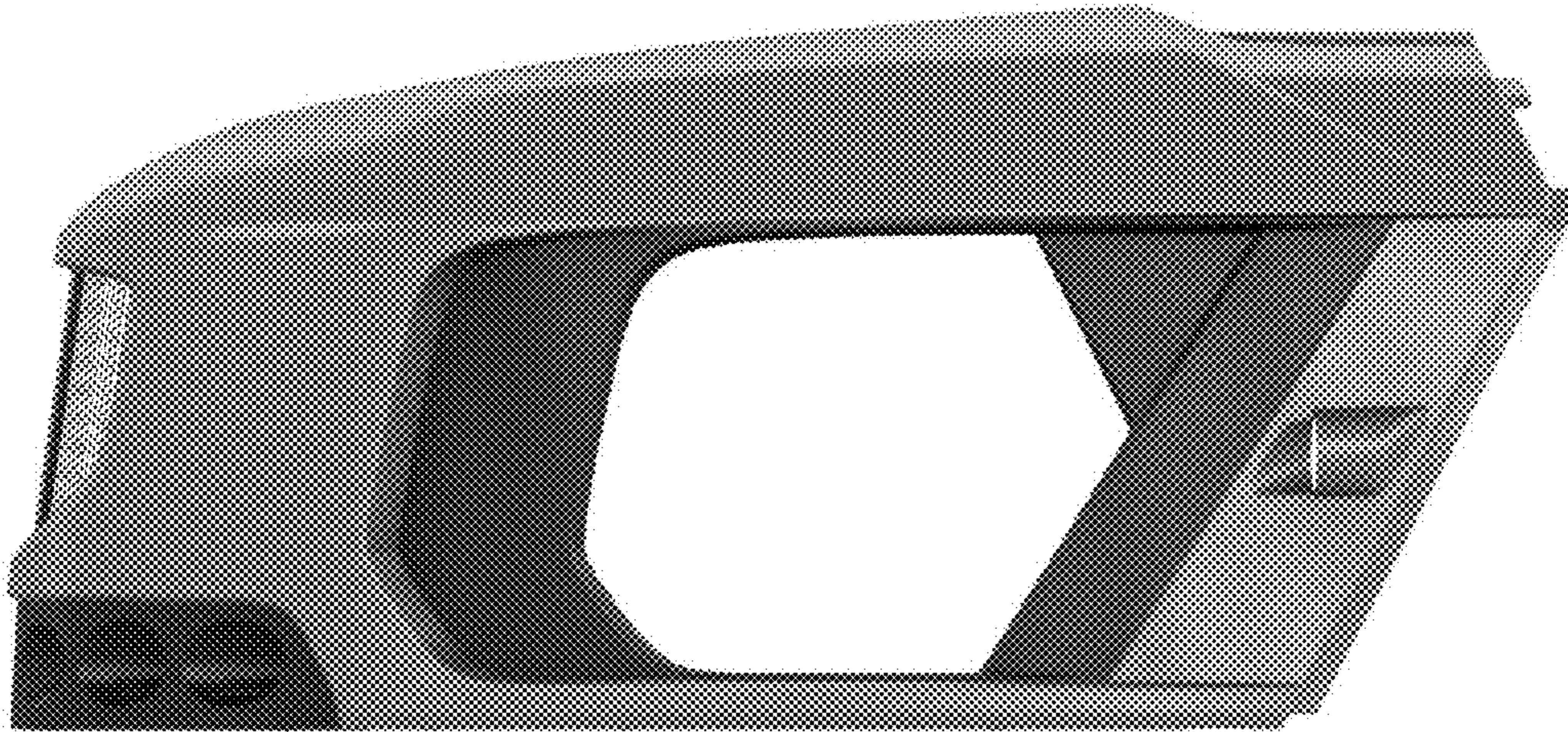


FIG. 3

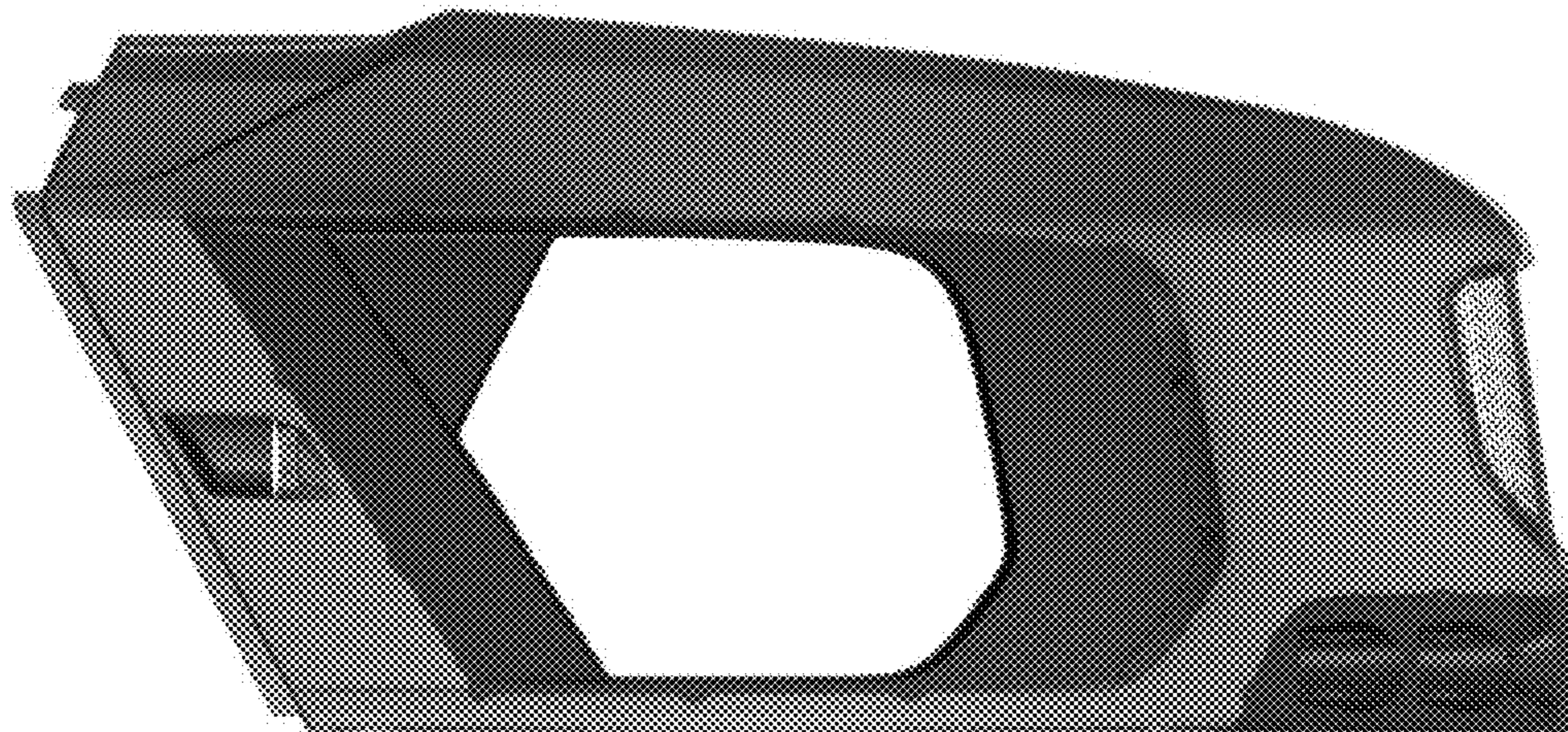


FIG. 4

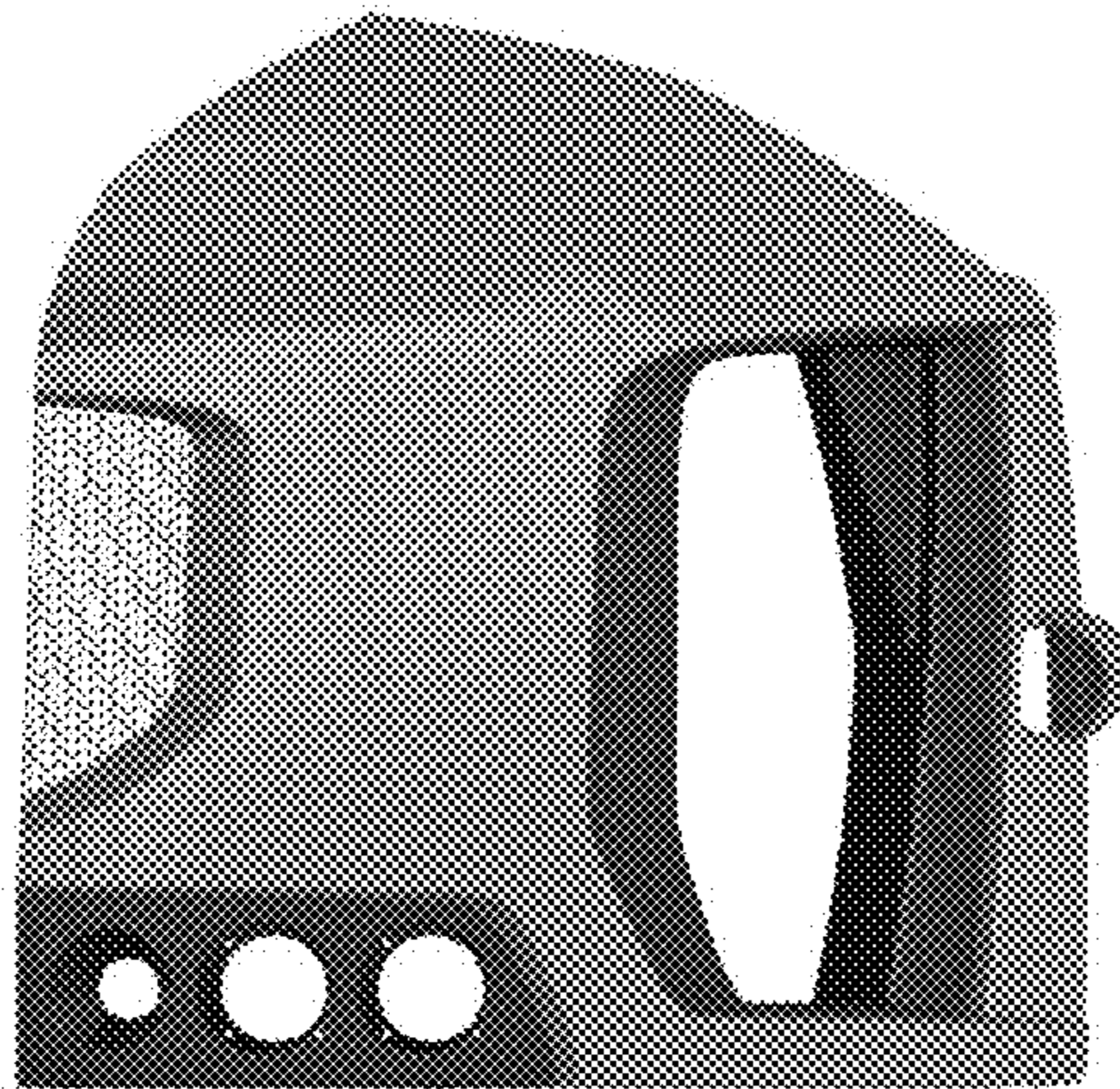


FIG. 5

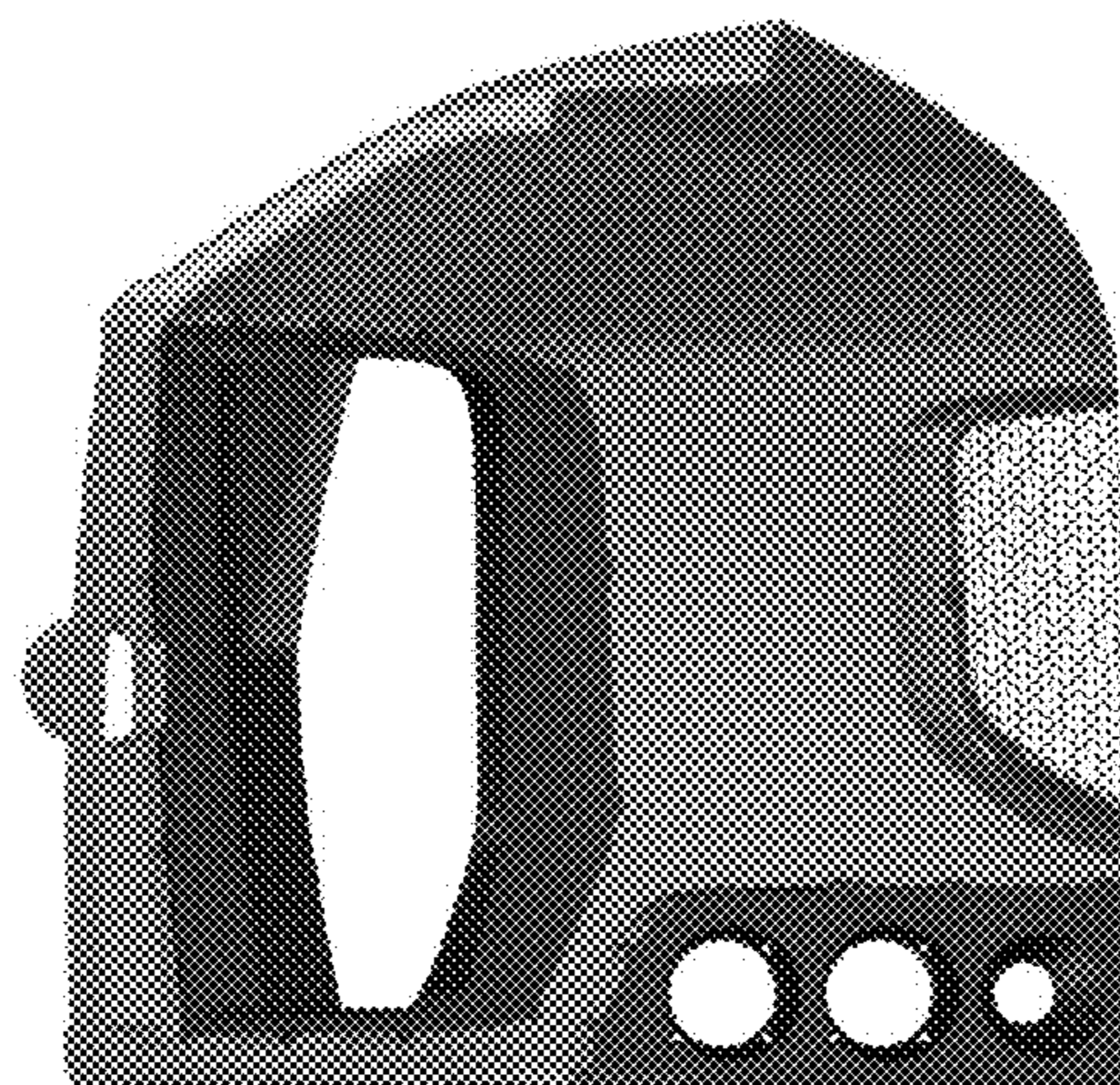


FIG. 6

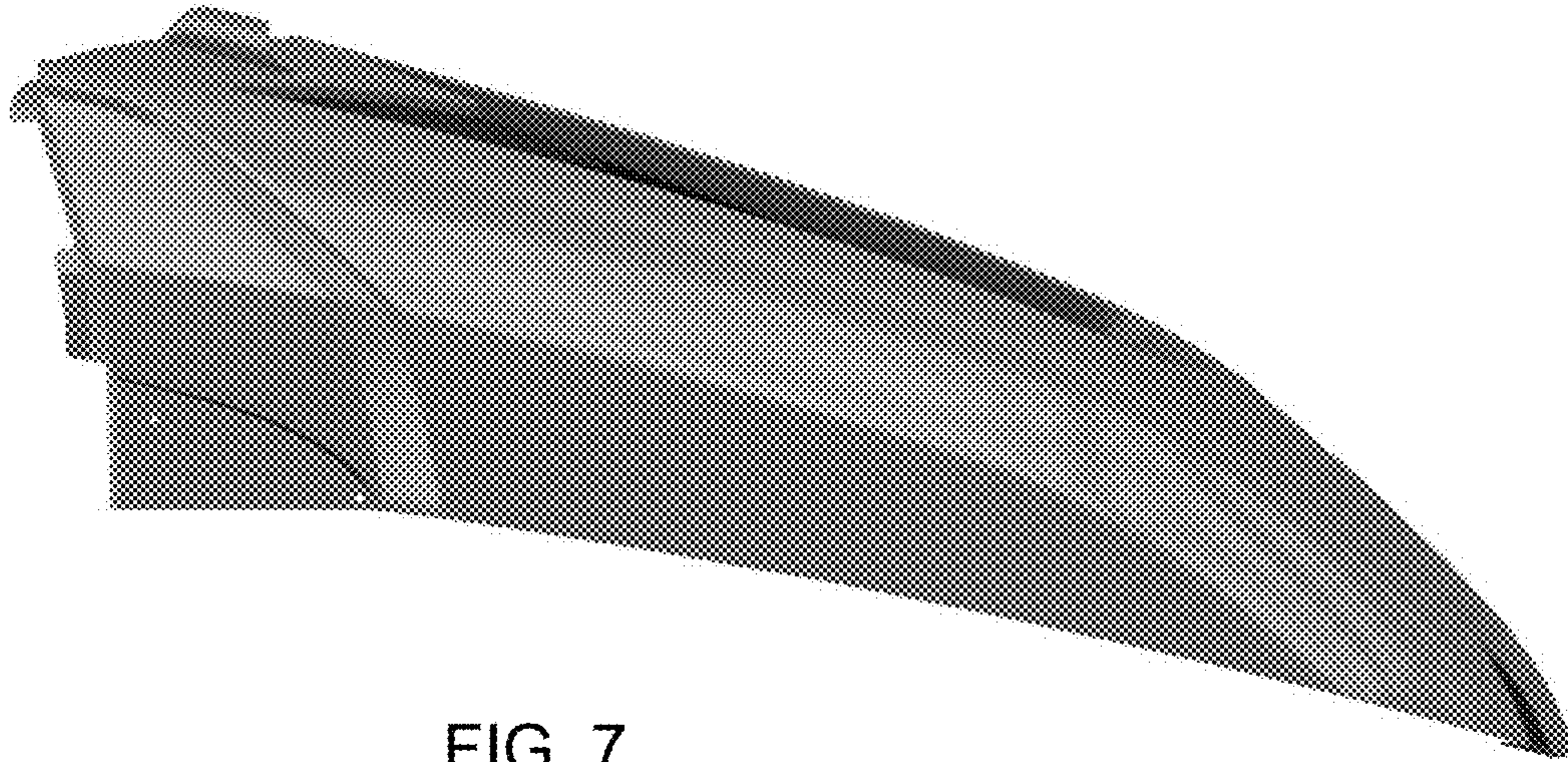


FIG. 7

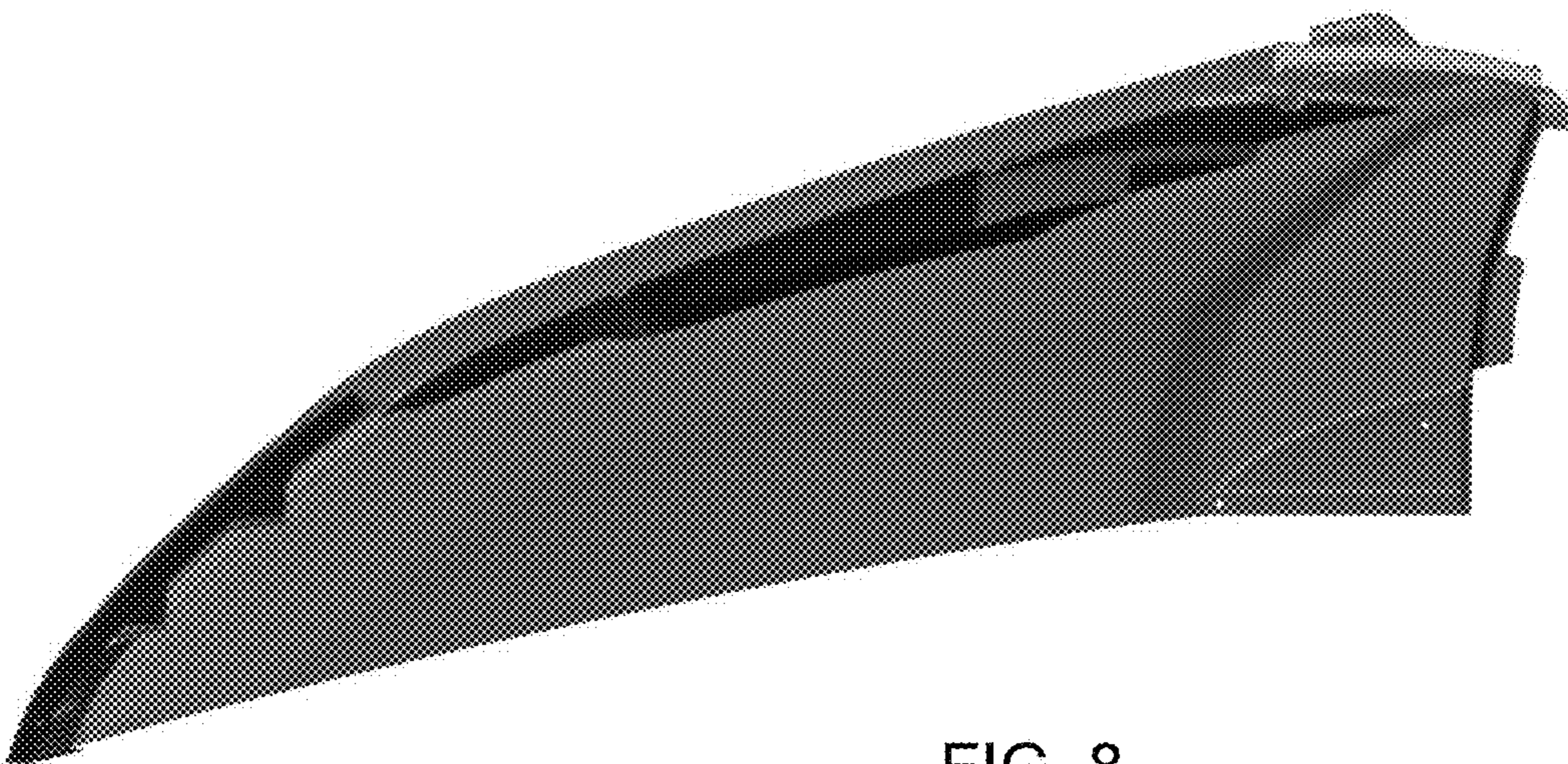


FIG. 8

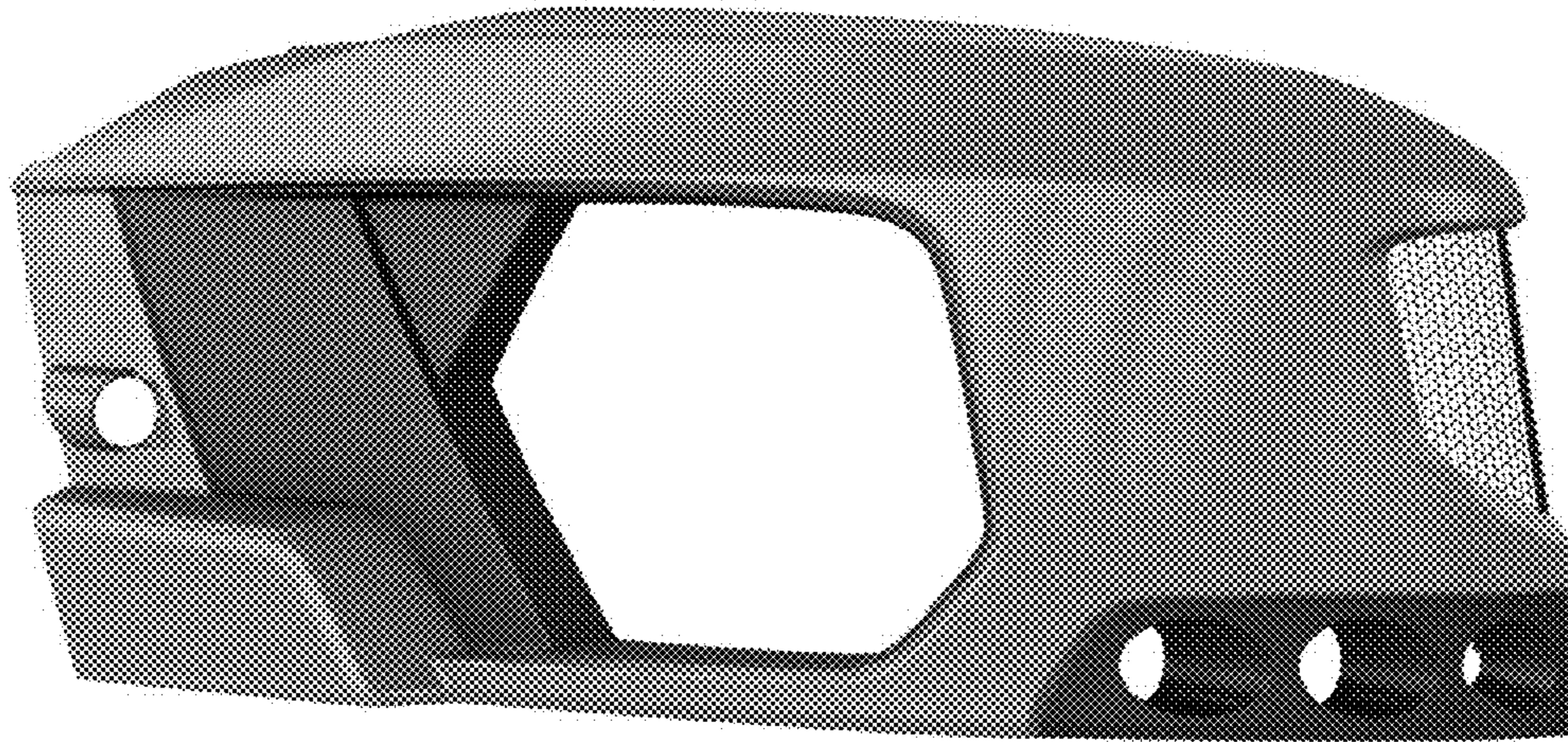


FIG. 9

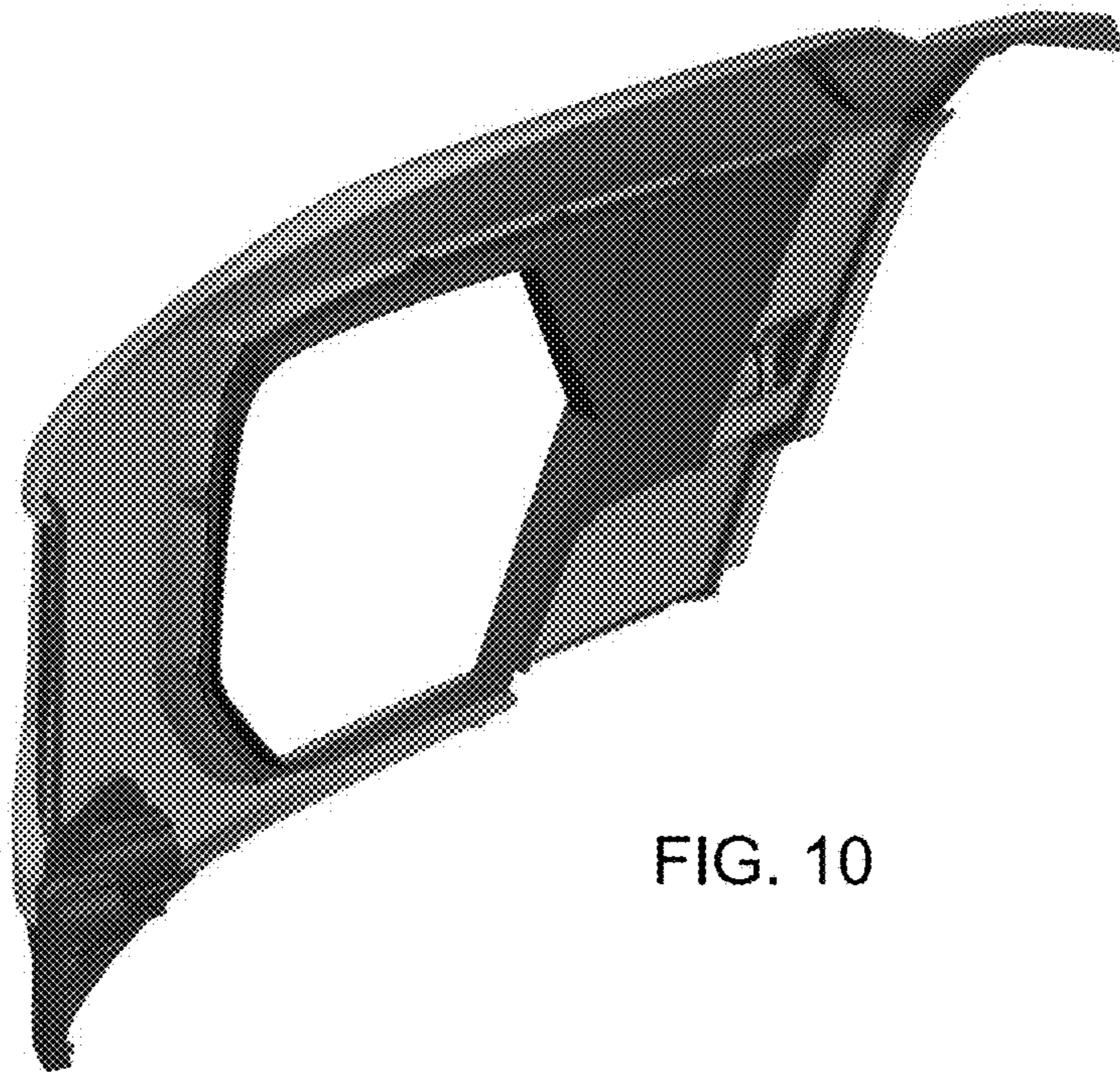


FIG. 10

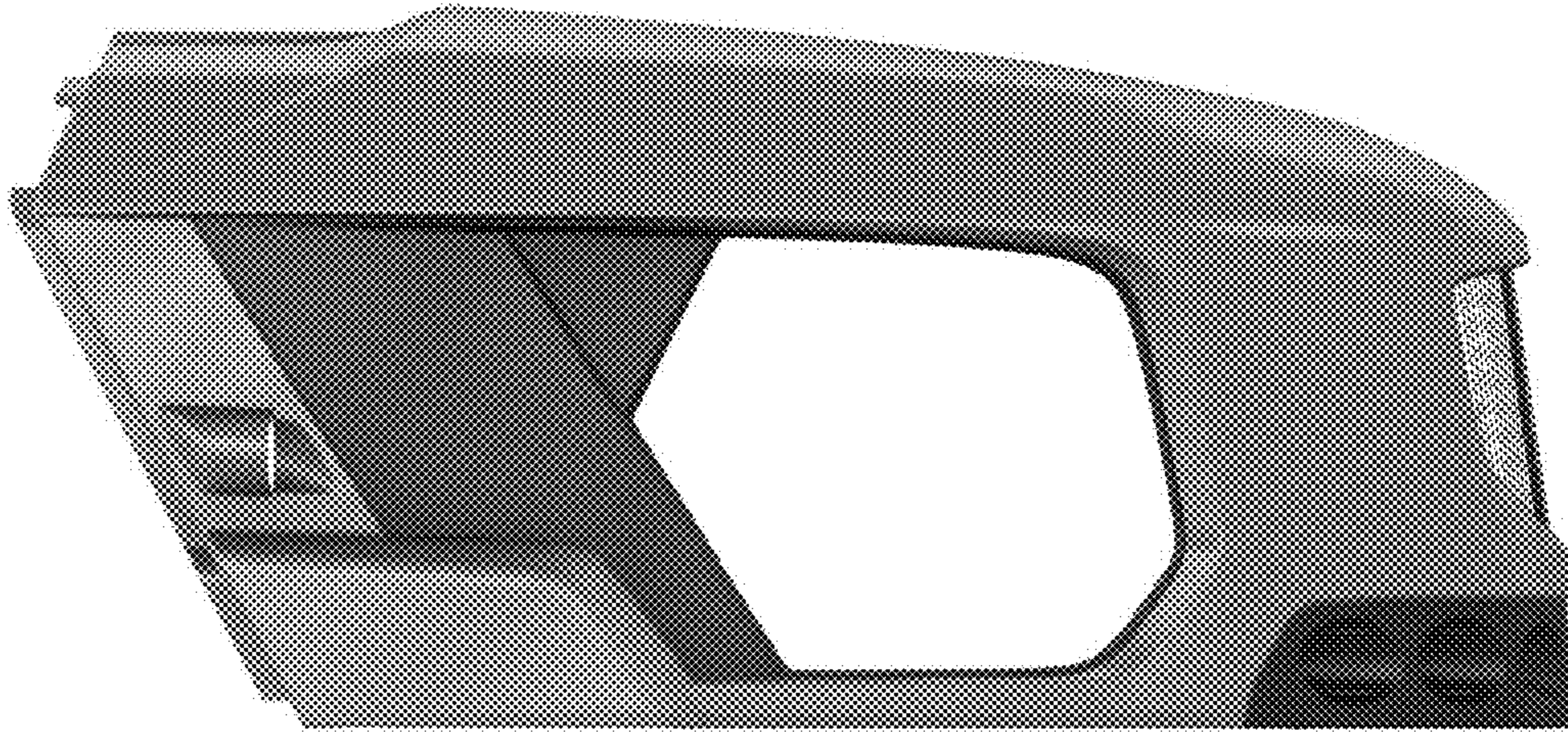


FIG. 11

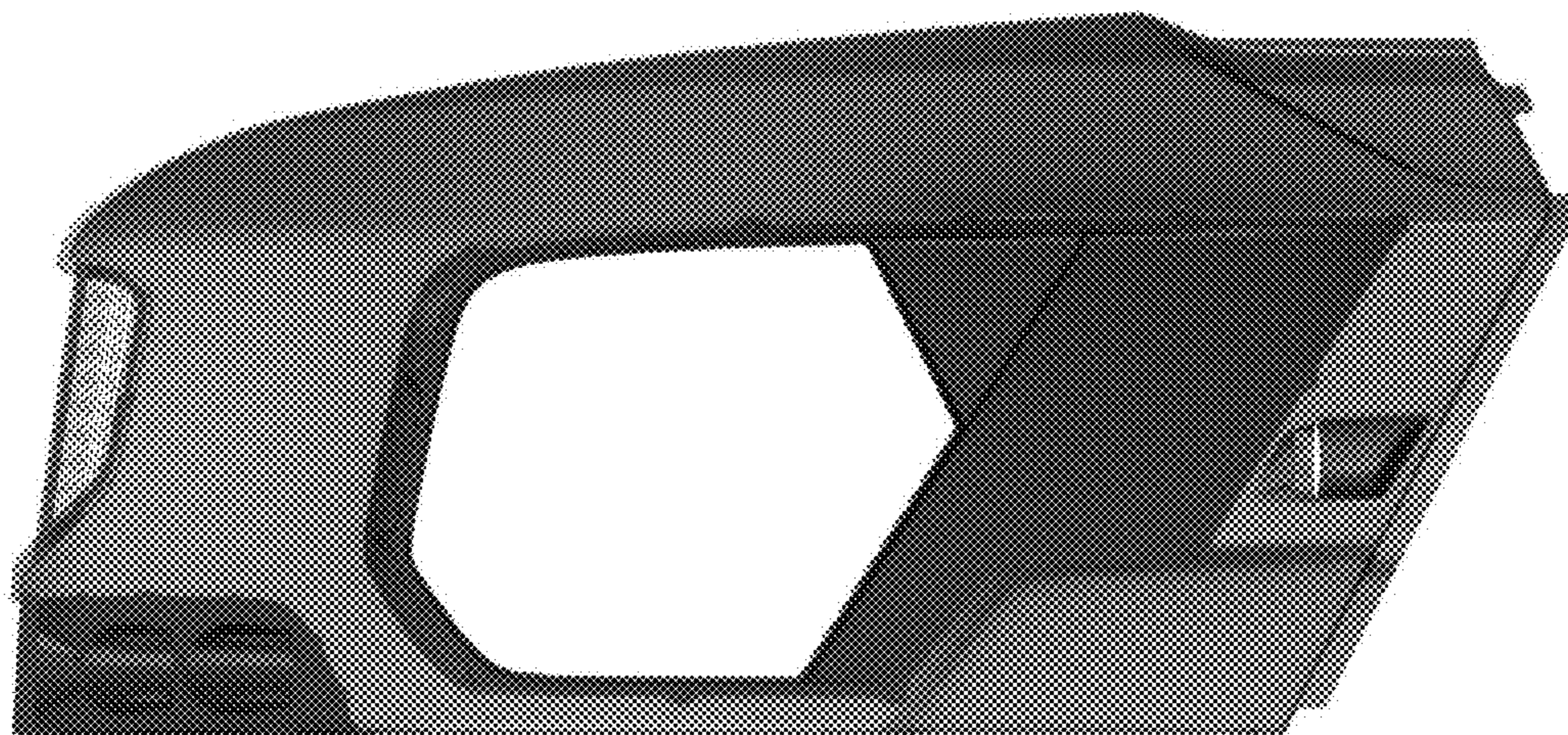


FIG. 12

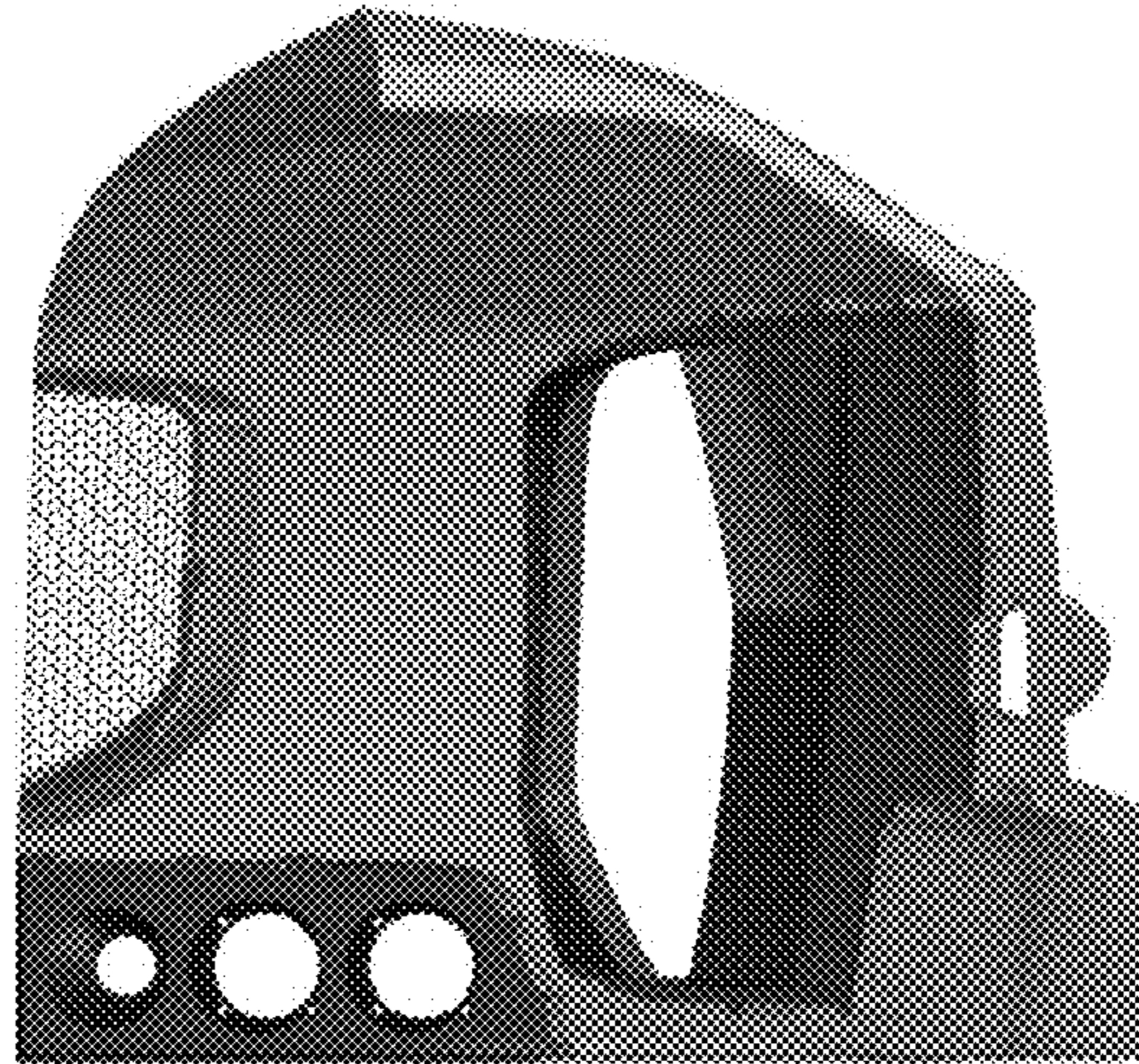


FIG. 13

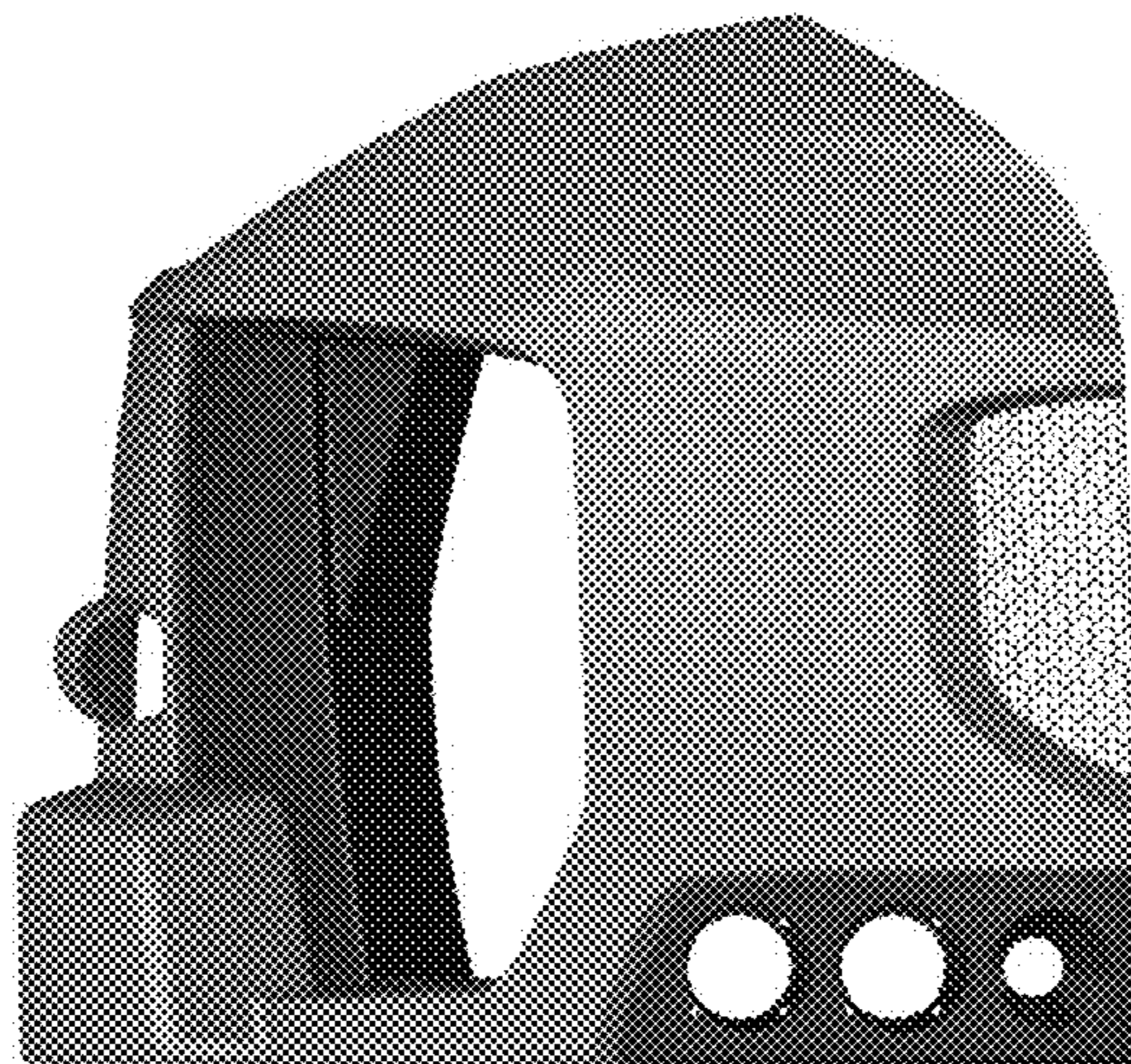


FIG. 14

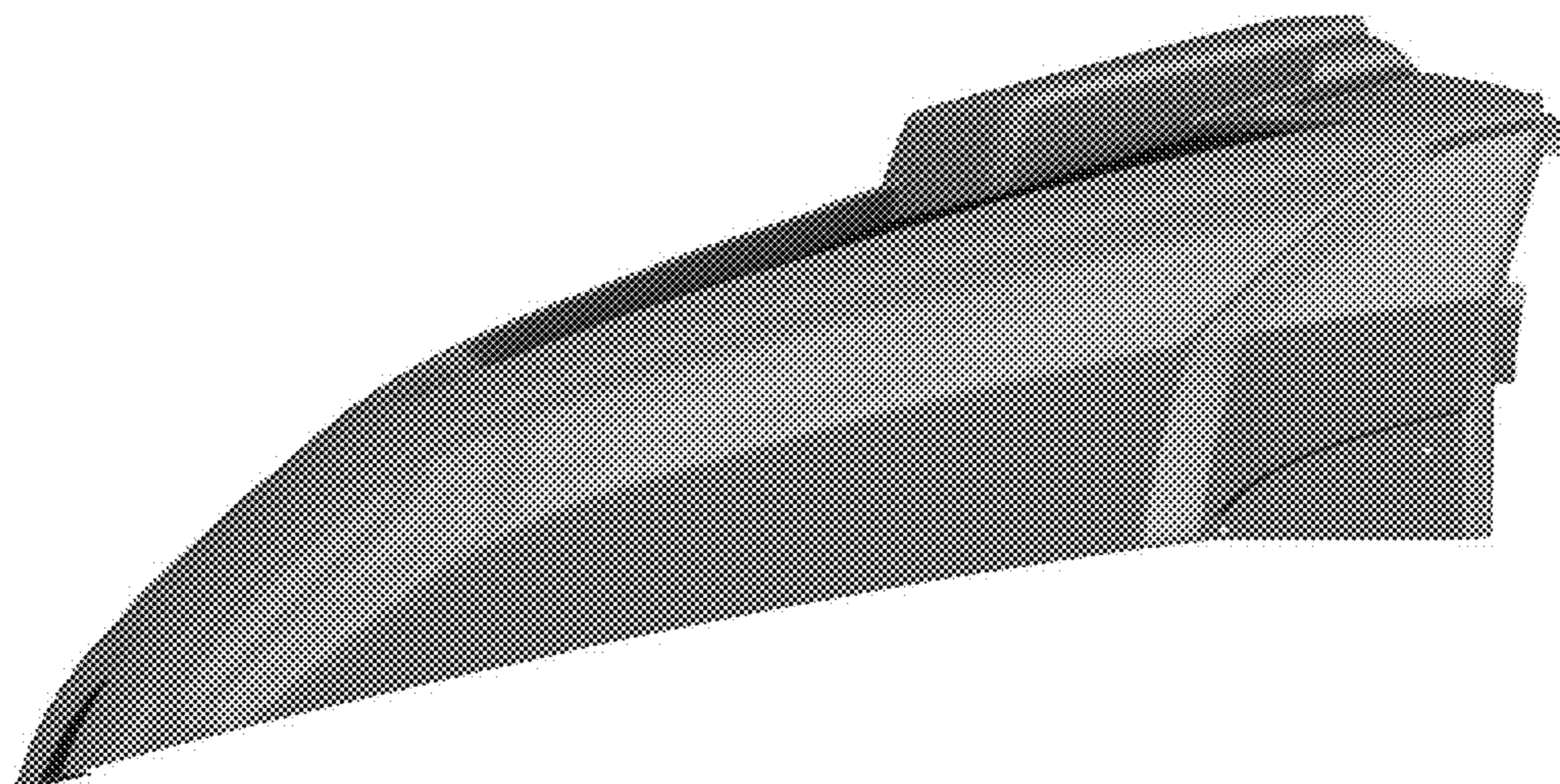


FIG. 15

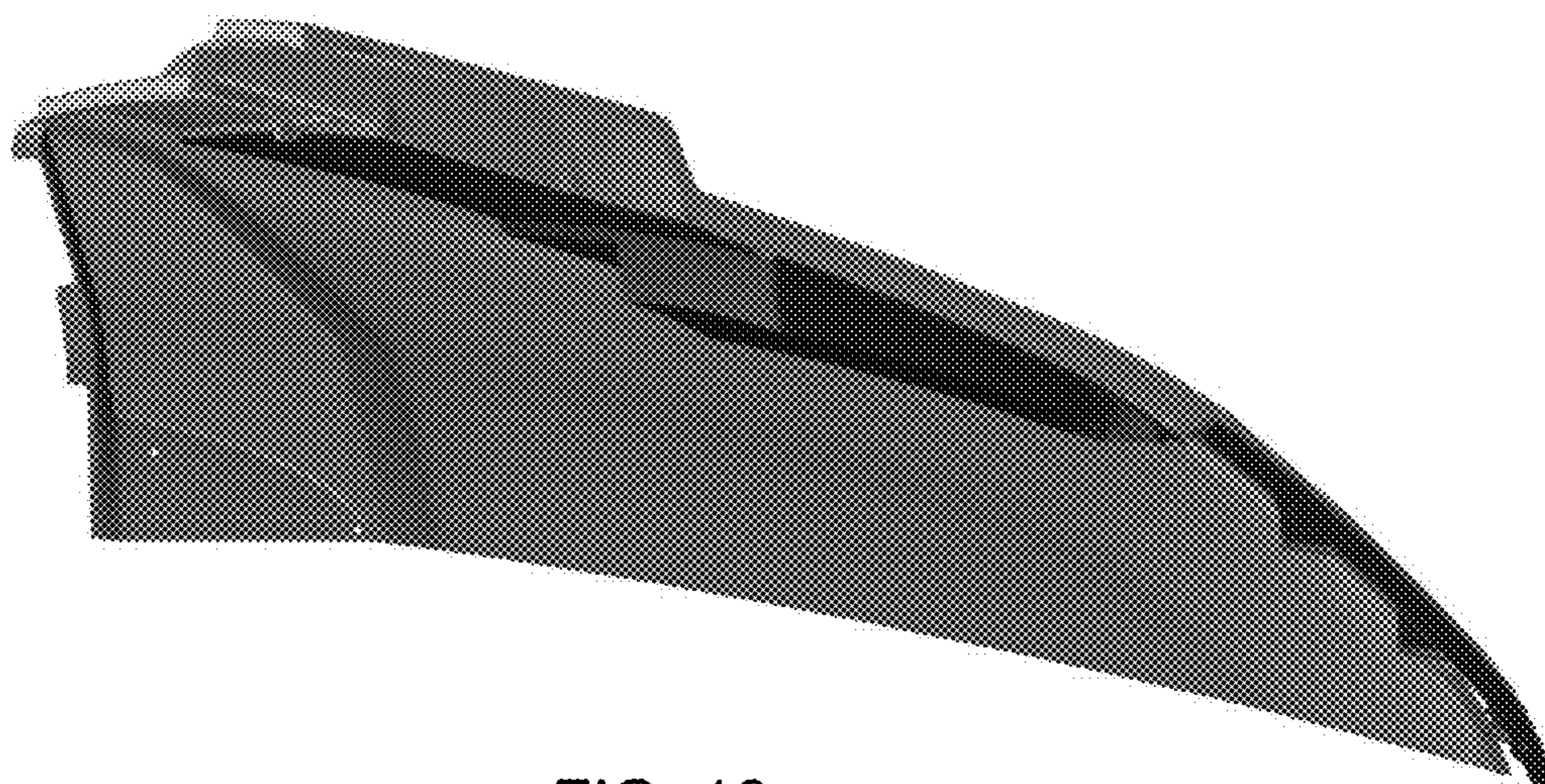


FIG. 16